



US00D456648S

(12) **United States Design Patent**
Ooyama

(10) **Patent No.:** **US D456,648 S**

(45) **Date of Patent:** **** May 7, 2002**

(54) **SEAT FOR BARBER OR BEAUTY CHAIR**

(75) Inventor: **Kazuo Ooyama, Osaka (JP)**

(73) Assignee: **Oohiro Works, Ltd. (JP)**

(**) Term: **14 Years**

(21) Appl. No.: **29/141,413**

(22) Filed: **May 4, 2001**

(30) **Foreign Application Priority Data**

Nov. 16, 2000 (JP) 2000-032840

(51) **LOC (7) Cl.** **06-01**

(52) **U.S. Cl.** **D6/500; D6/360**

(58) **Field of Search** D6/334, 335, 360,
D6/364, 365, 366, 367, 370, 374, 375,
379, 380, 500-502; 297/411.2, 411.25,
411.27, 411.28, 411.44, 423.1, 423.19,
423.25

(56) **References Cited**

U.S. PATENT DOCUMENTS

D202,426 S * 9/1965 Jakobsen D6/360

D354,176 S * 1/1995 Schwaegerle et al. D6/360

D362,351 S * 9/1995 Klein D6/379

D444,308 S * 7/2001 Ooyama D6/360

D444,326 S * 7/2001 Minami D6/500

* cited by examiner

Primary Examiner—Doris V. Coles

Assistant Examiner—Mimosa De

(74) *Attorney, Agent, or Firm*—Wall, Marjama & Bilinski, LLP

(57) **CLAIM**

The ornamental design for a seat for barber or beauty chair, as shown and described.

DESCRIPTION

FIG. 1 is a front view of a seat for barber or beauty chair in accordance with my new design;

FIG. 2 is a back view thereof;

FIG. 3 is a right side view thereof, the left side view being a mirror image thereof;

FIG. 4 is a top view thereof;

FIG. 5 is a bottom view thereof;

FIG. 6 is a front perspective view thereof; and,

FIG. 7 is a rear perspective view thereof.

1 Claim, 4 Drawing Sheets

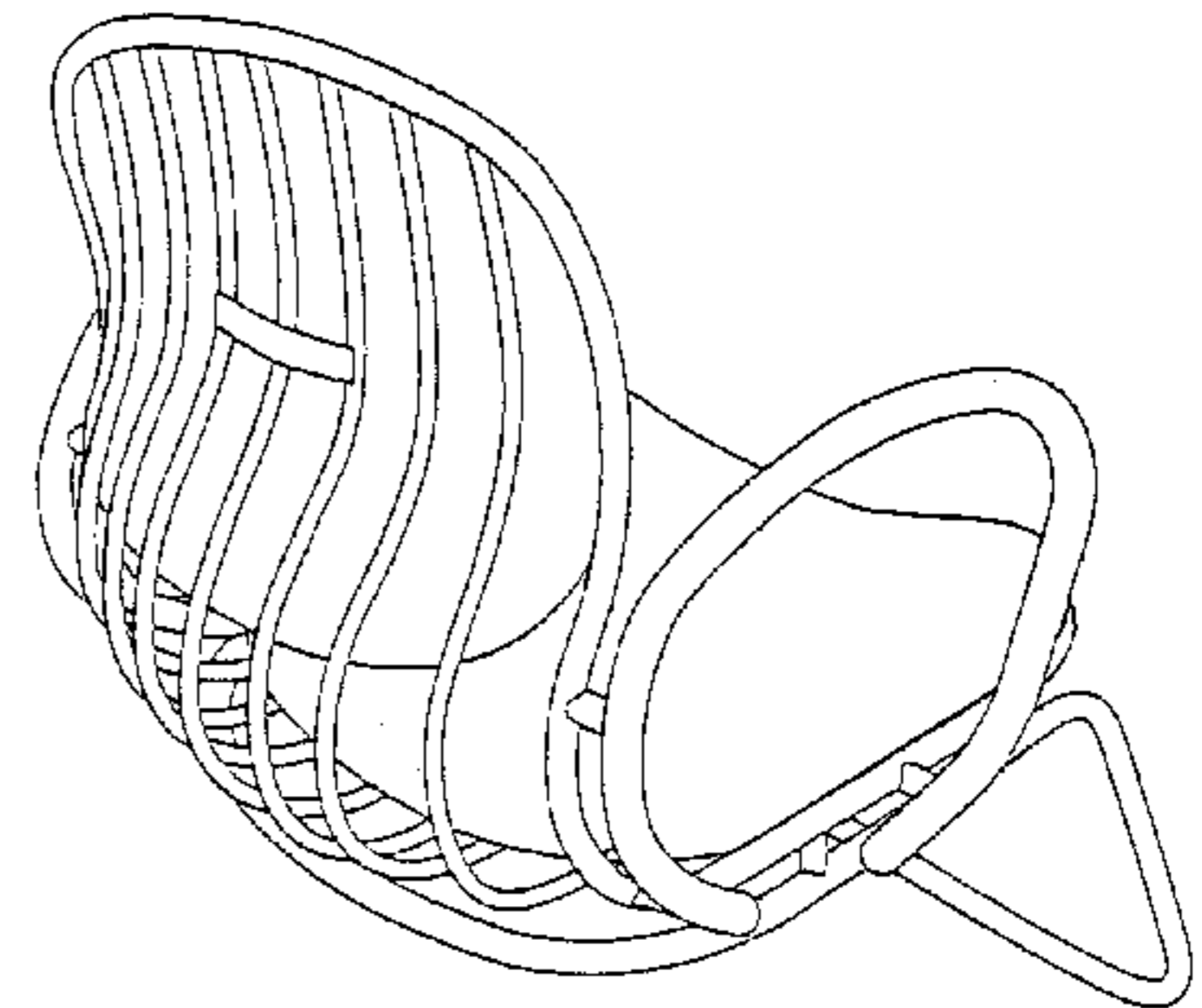
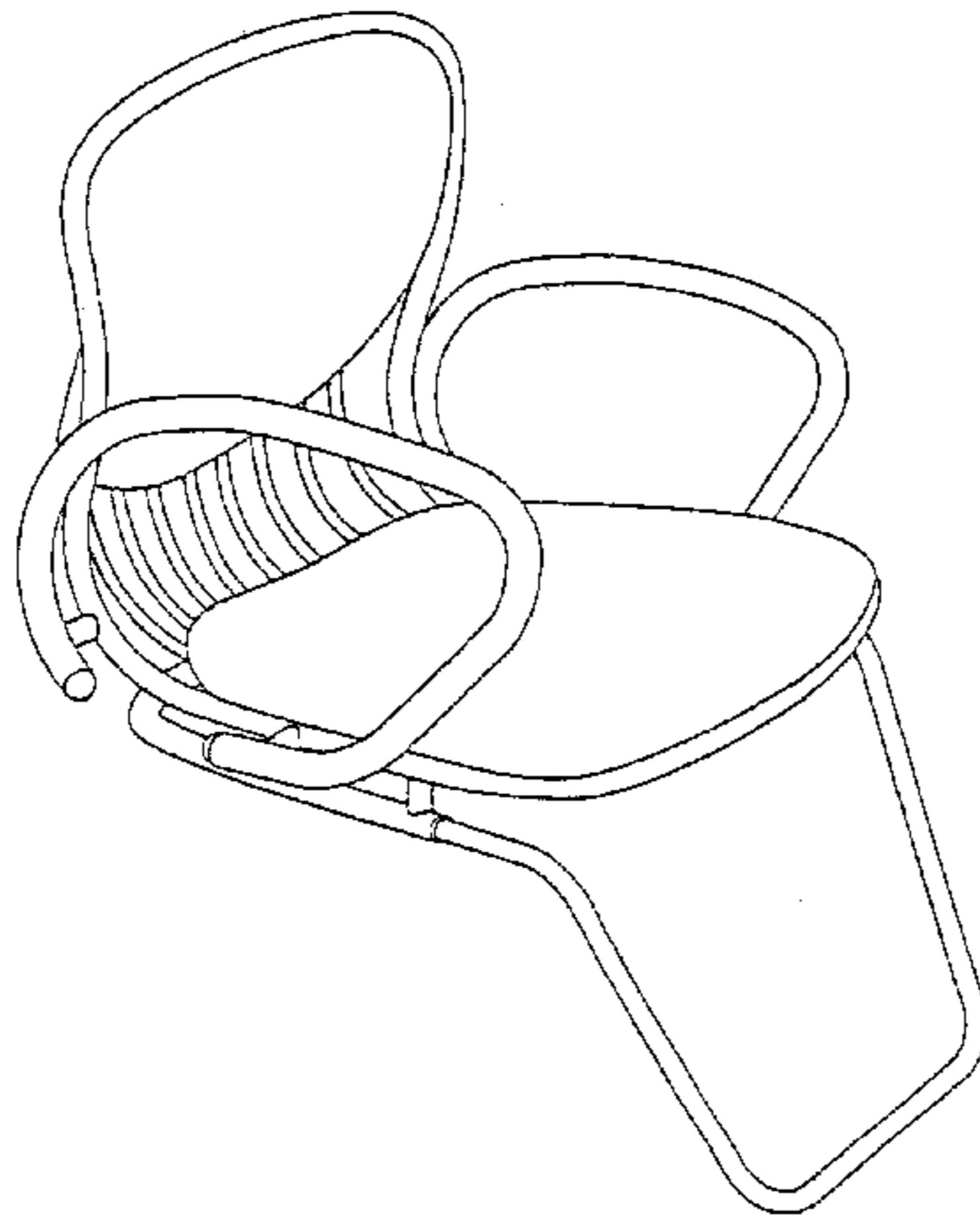
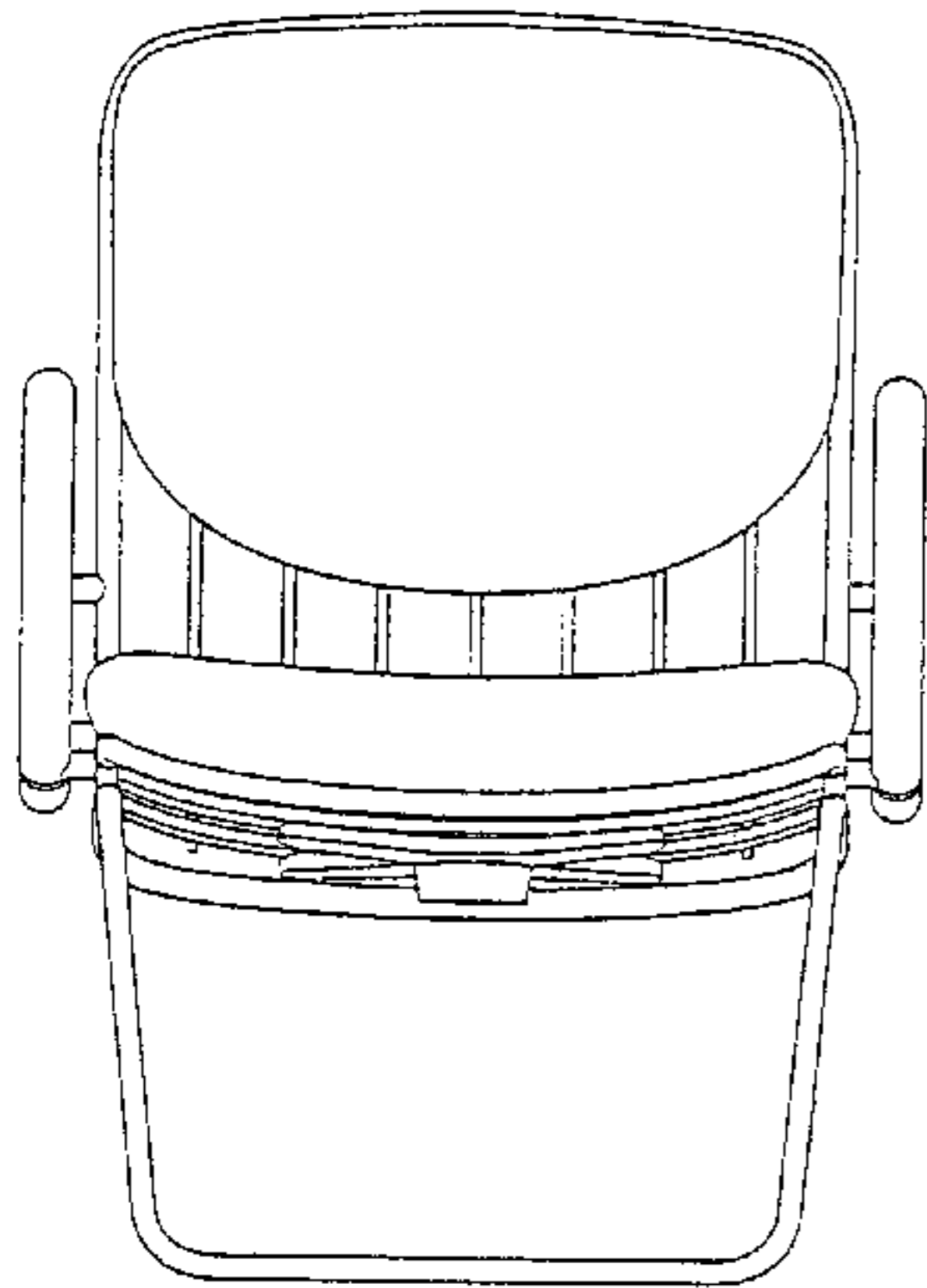


Fig.1

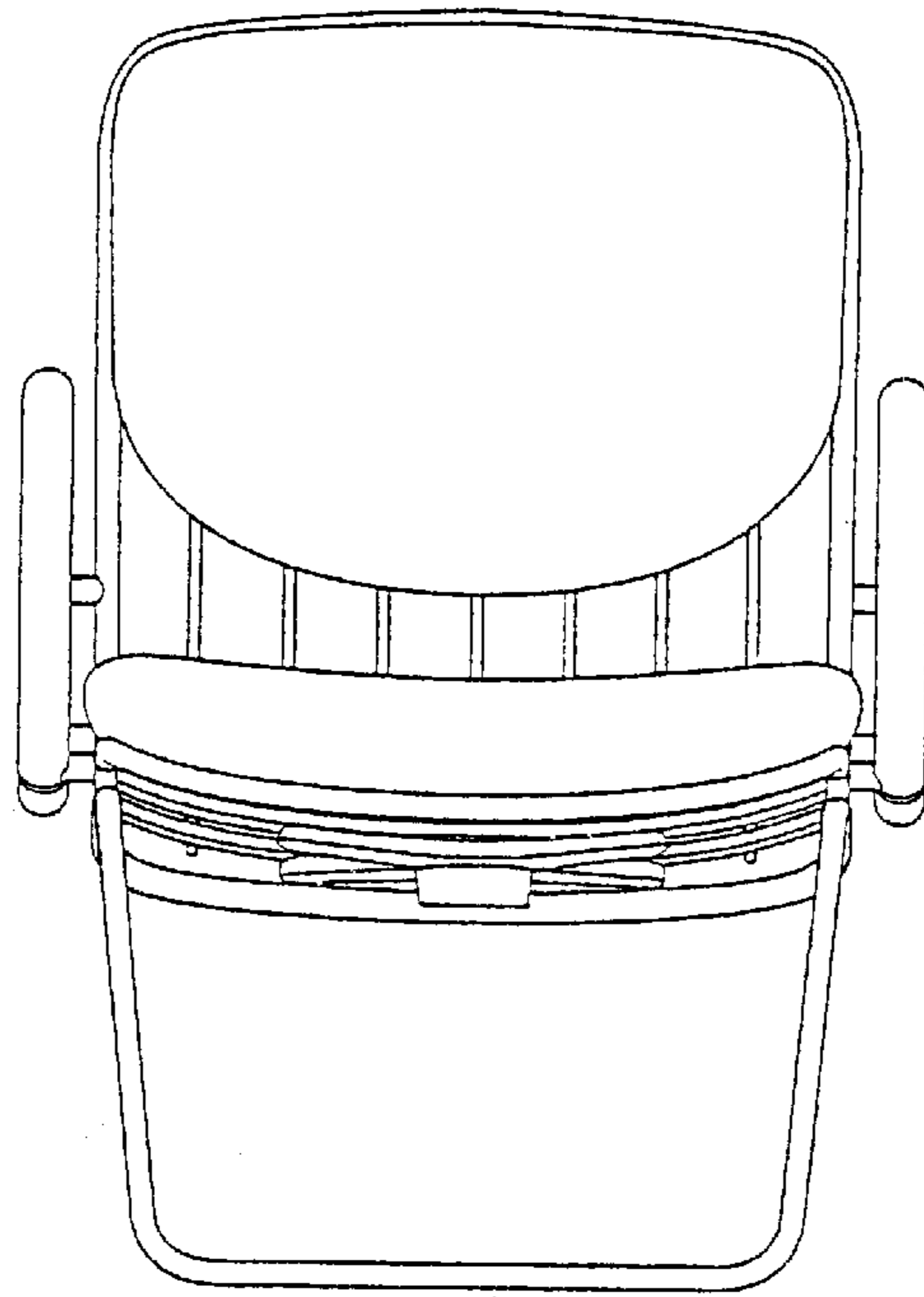


Fig.2

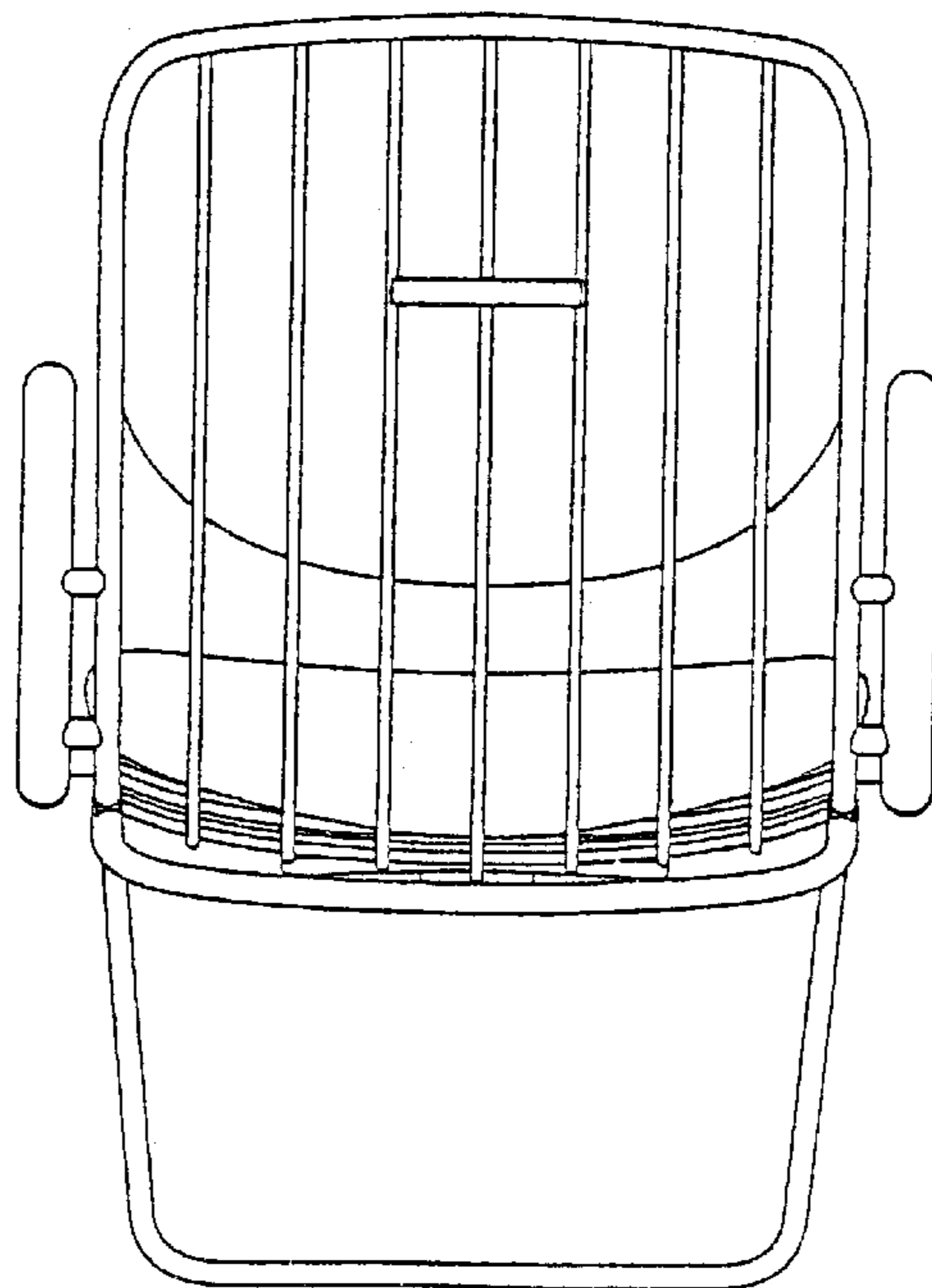


Fig.3

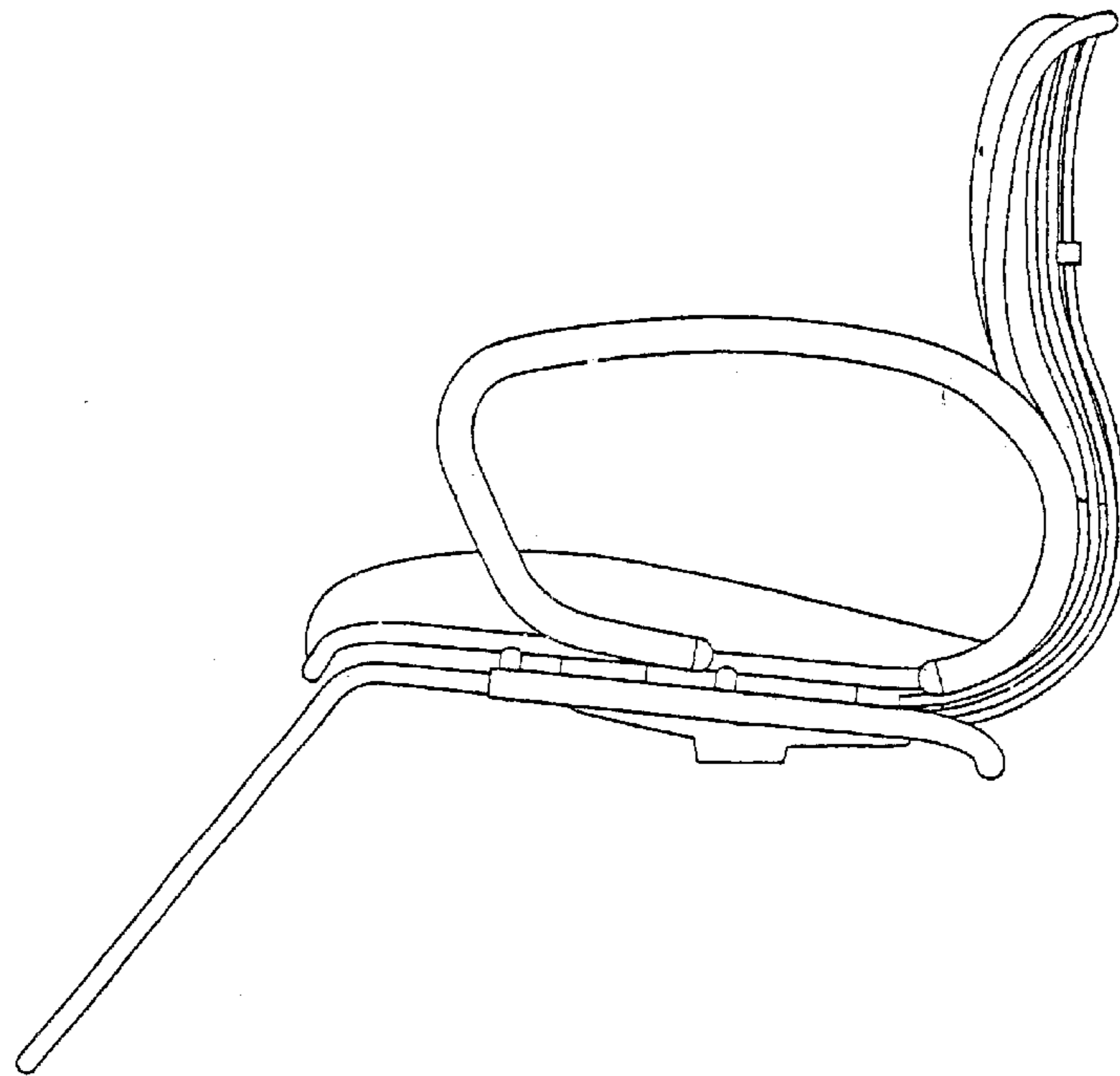


Fig.4

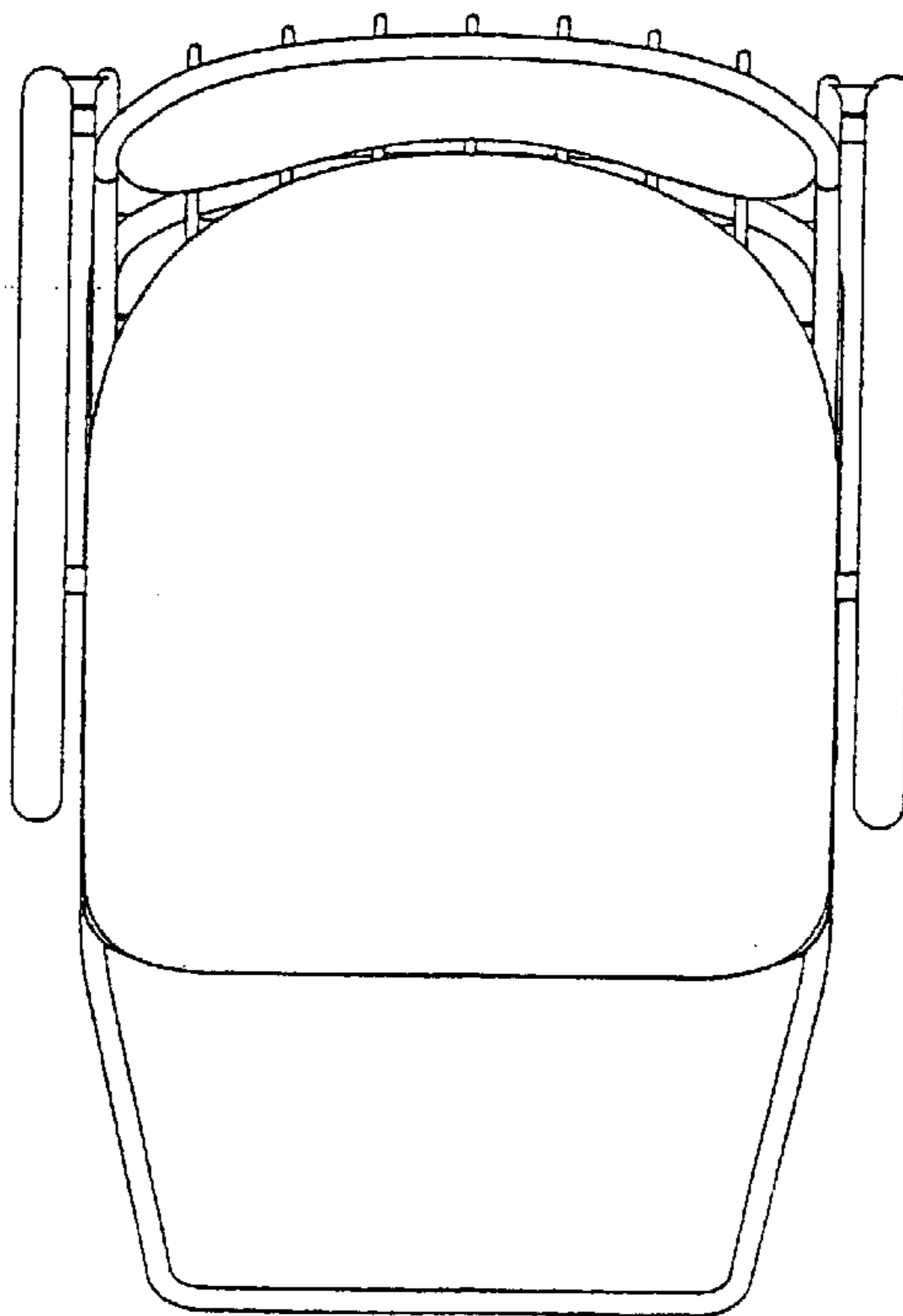


Fig.5

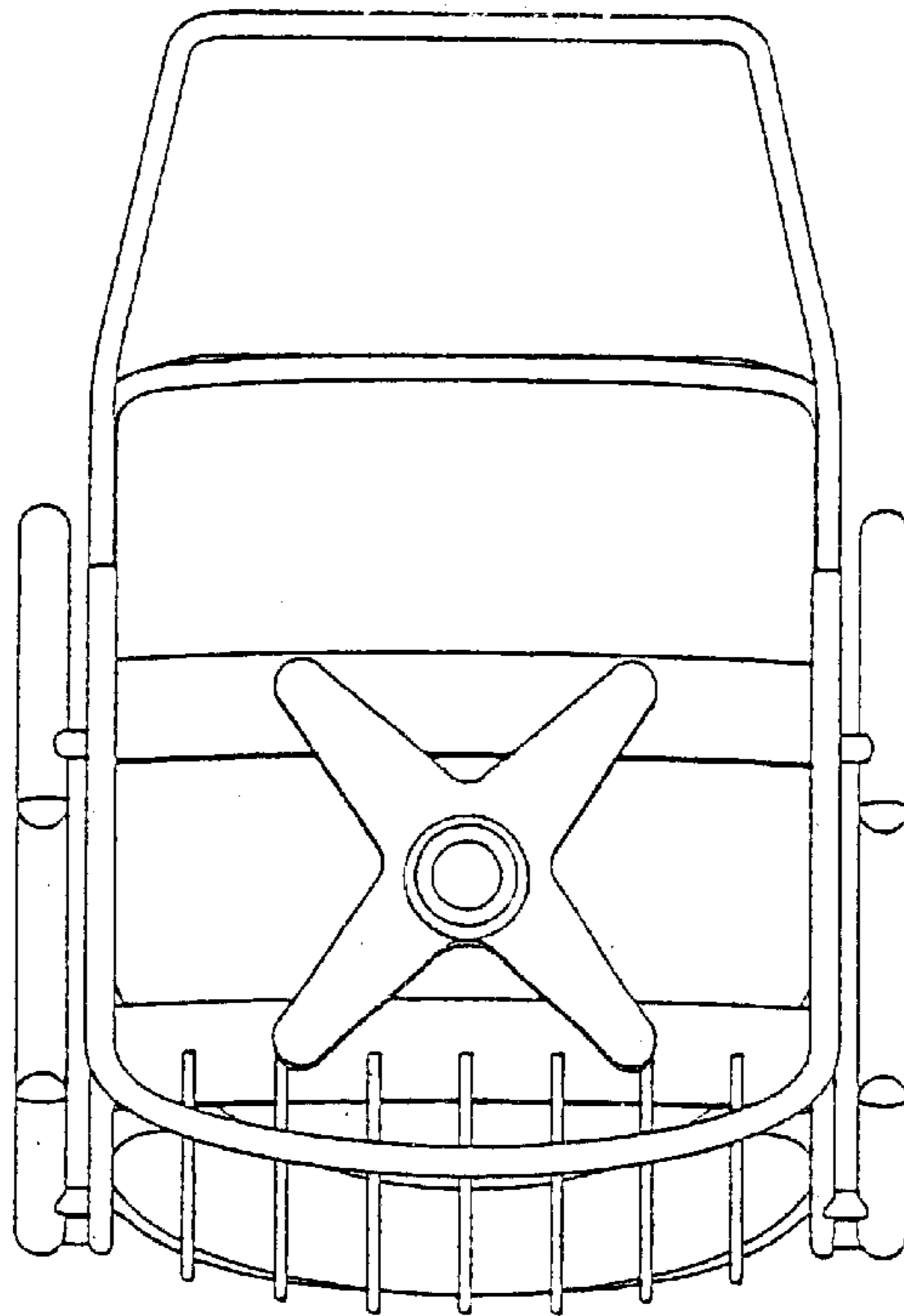


Fig.6

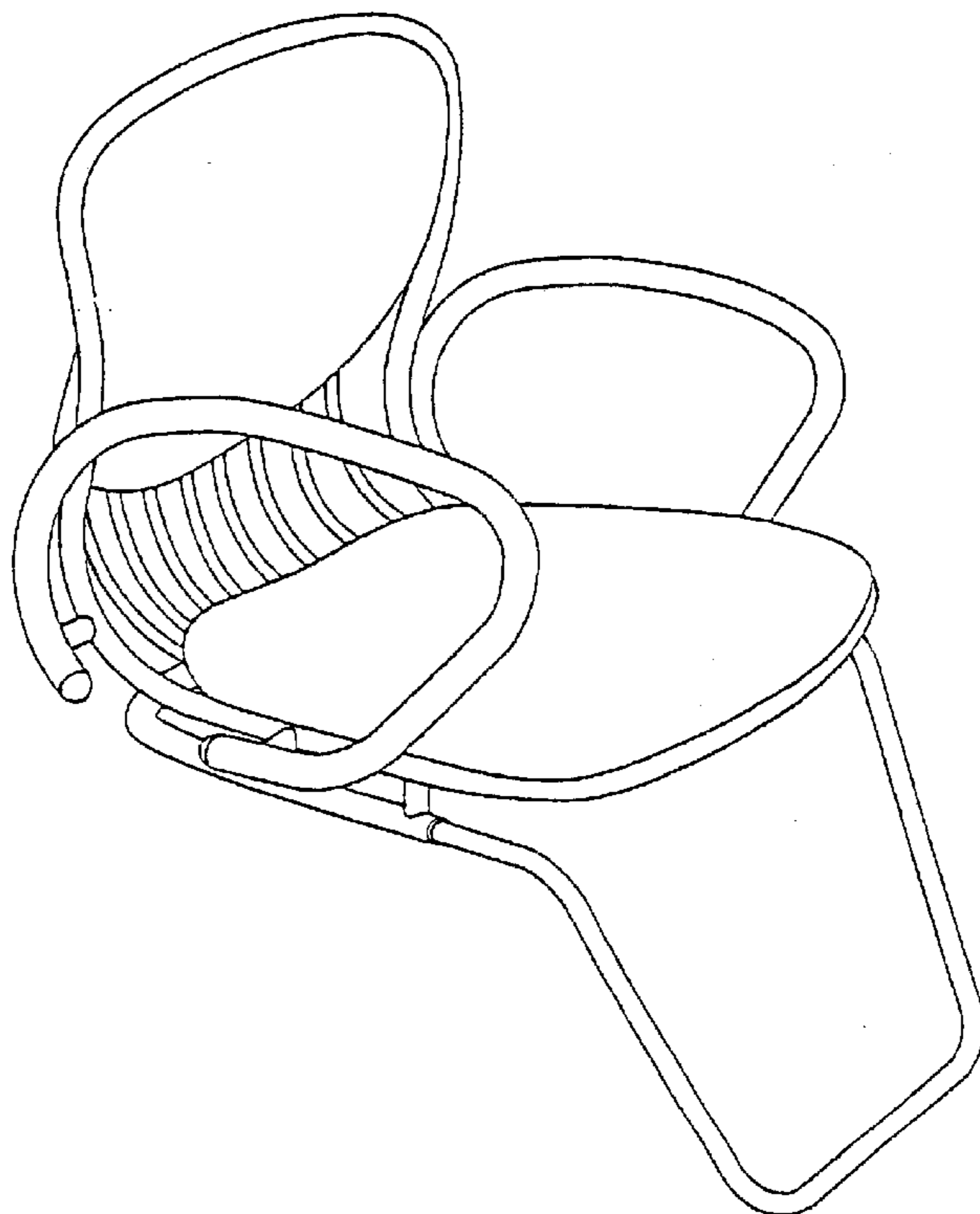


Fig.7

