



US00D456647S

(12) **United States Design Patent**  
**Whiteside et al.**

(10) **Patent No.:** **US D456,647 S**

(45) **Date of Patent:** **\*\* May 7, 2002**

(54) **BASE FOR A WHEELED CHAIR**  
(75) Inventors: **Kirt E. Whiteside**, Marion; **Terry L. Whiteside**, Delaware; **W. Gordon Dallas**, Ashland, all of OH (US)

D365,935 S 1/1996 Dallas ..... D6/336  
D400,677 S \* 11/1998 Borner et al. .... D34/23  
D404,598 S \* 1/1999 Chen ..... D6/498  
5,897,122 A \* 4/1999 Borner ..... 280/32.6  
D410,128 S 5/1999 Dallas et al. .... D34/23  
6,010,187 A 1/2000 Dallas et al. .... 297/188.08

(73) Assignee: **Whiteside Mfg. Co.**, Delaware, OH (US)

\* cited by examiner

(\*\*) Term: **14 Years**

*Primary Examiner*—Doris V. Coles

*Assistant Examiner*—Mimosa De

(21) Appl. No.: **29/137,934**

(74) *Attorney, Agent, or Firm*—Renner, Kenner, Greive, Bobak, Taylor & Weber

(22) Filed: **Mar. 2, 2001**

(57) **CLAIM**

(51) **LOC (7) Cl.** ..... **06-06**

The ornamental design for a base for a wheeled chair, as shown and described.

(52) **U.S. Cl.** ..... **D6/498**; D6/336; D34/23

(58) **Field of Search** ..... D6/334, 335, 336, D6/349, 366, 367, 374, 375, 495, 498, 499, 500-502; D34/5, 23; 108/94; 280/32.6; 297/188.08, 411.41; 248/188.7

**DESCRIPTION**

FIG. 1 is a top, front, right side perspective view showing a base for a wheeled chair showing our new design; FIG. 2 is a front elevational view thereof; FIG. 3 is a left side elevational view thereof; FIG. 4 is a top plan view thereof; FIG. 5 is a bottom plan view thereof; and, FIG. 6 is a rear elevational view thereof.

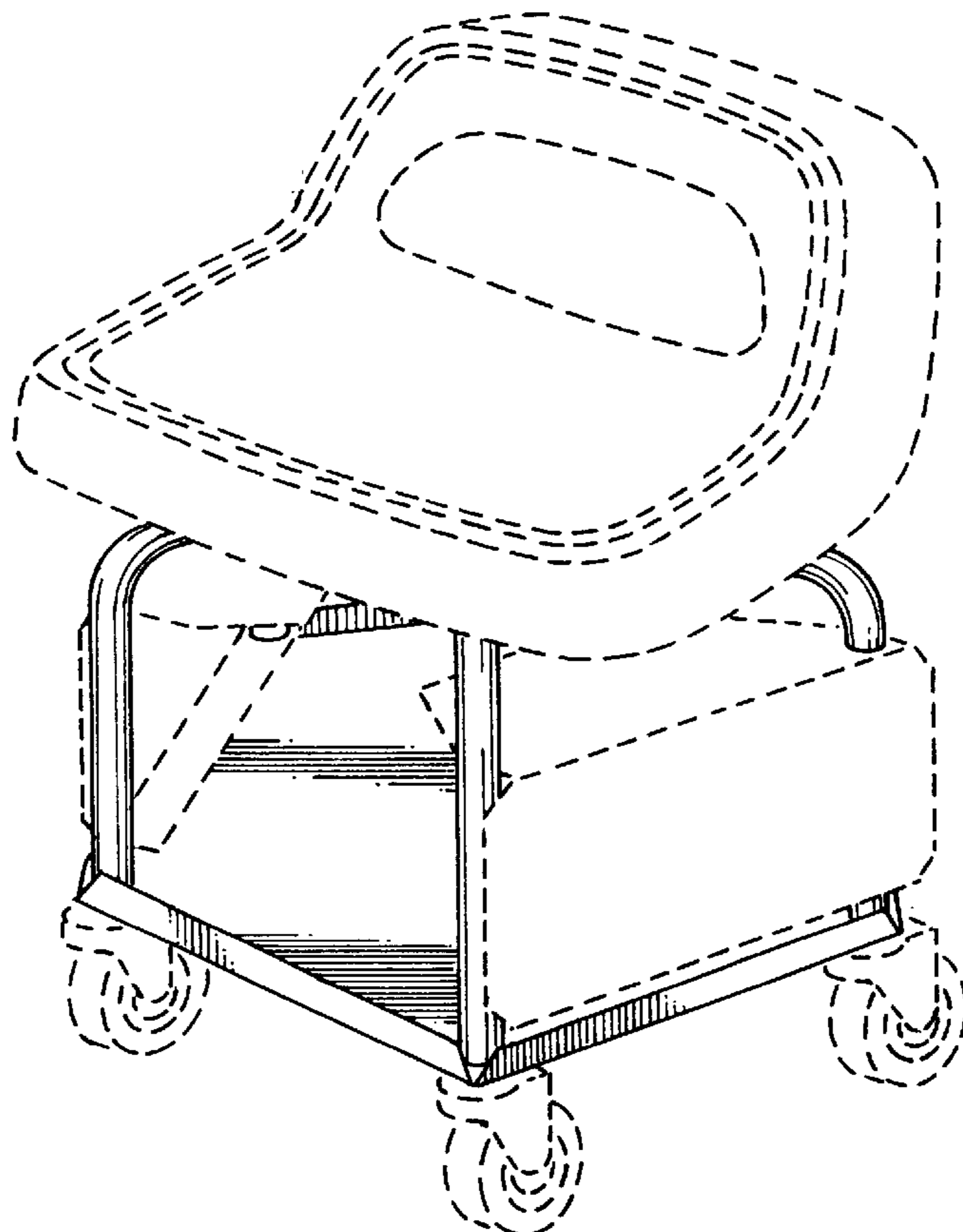
(56) **References Cited**

The dotted lines are for environment only and are not part of the claimed design.

**U.S. PATENT DOCUMENTS**

D207,705 S \* 5/1967 Allen ..... D34/23  
3,994,466 A \* 11/1976 Troup ..... 248/188.7  
D257,823 S \* 1/1981 Maza et al. .... D34/23  
D296,025 S \* 5/1988 Huether ..... D34/23  
D333,896 S \* 3/1993 Starkweather ..... D34/5  
D353,058 S 12/1994 Dallas ..... D6/336

**1 Claim, 4 Drawing Sheets**



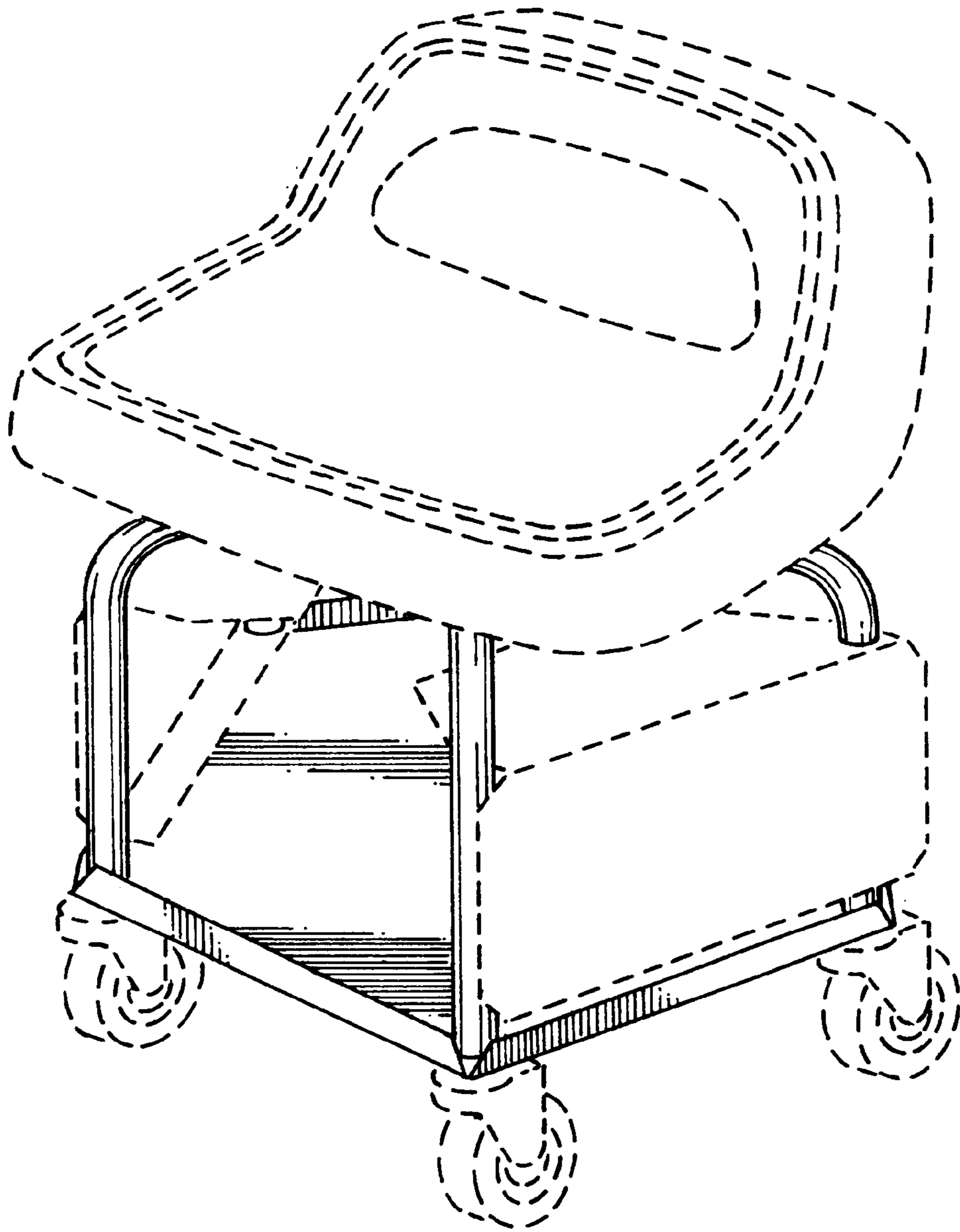


FIG. 1

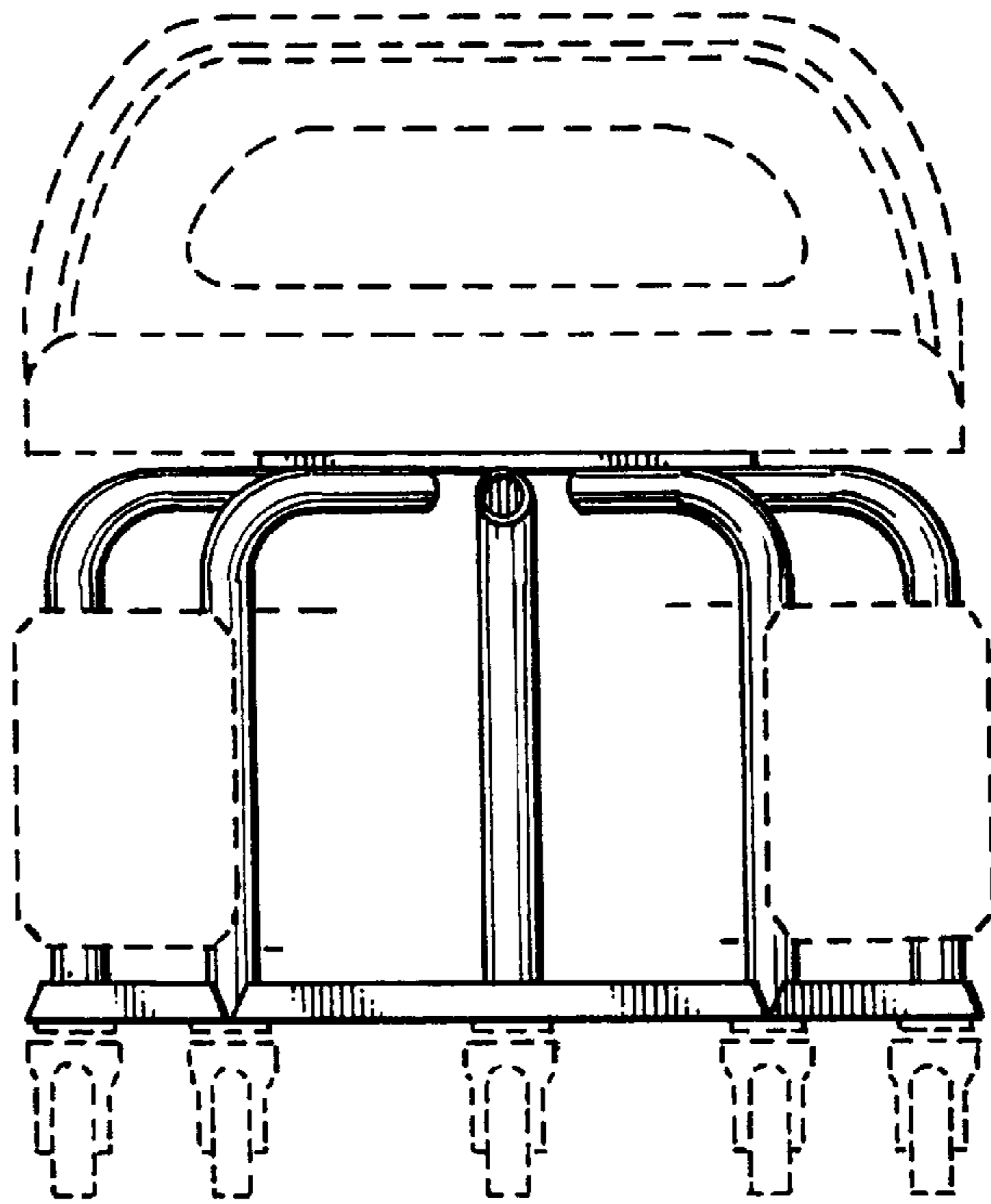


FIG. 2

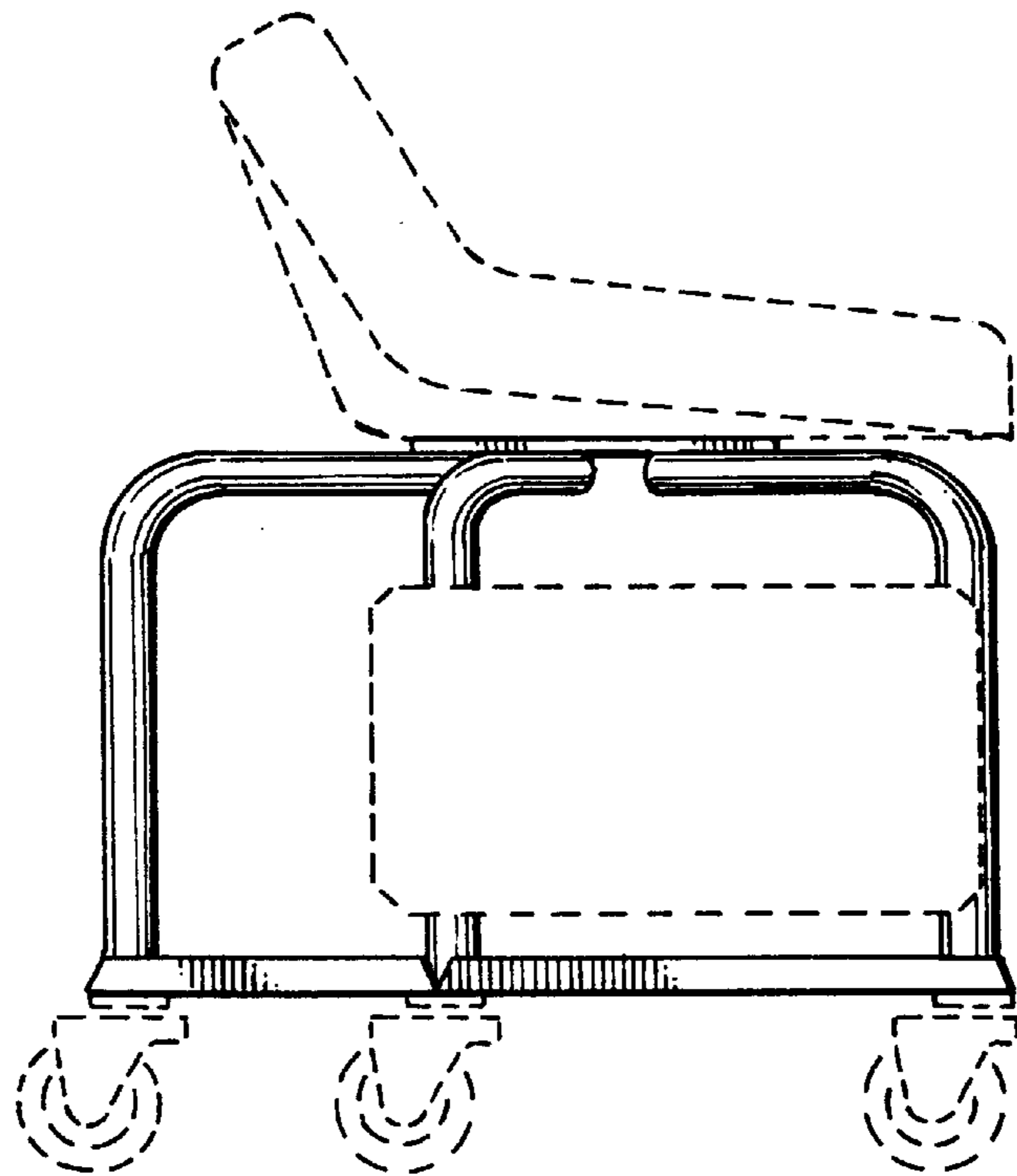


FIG. 3

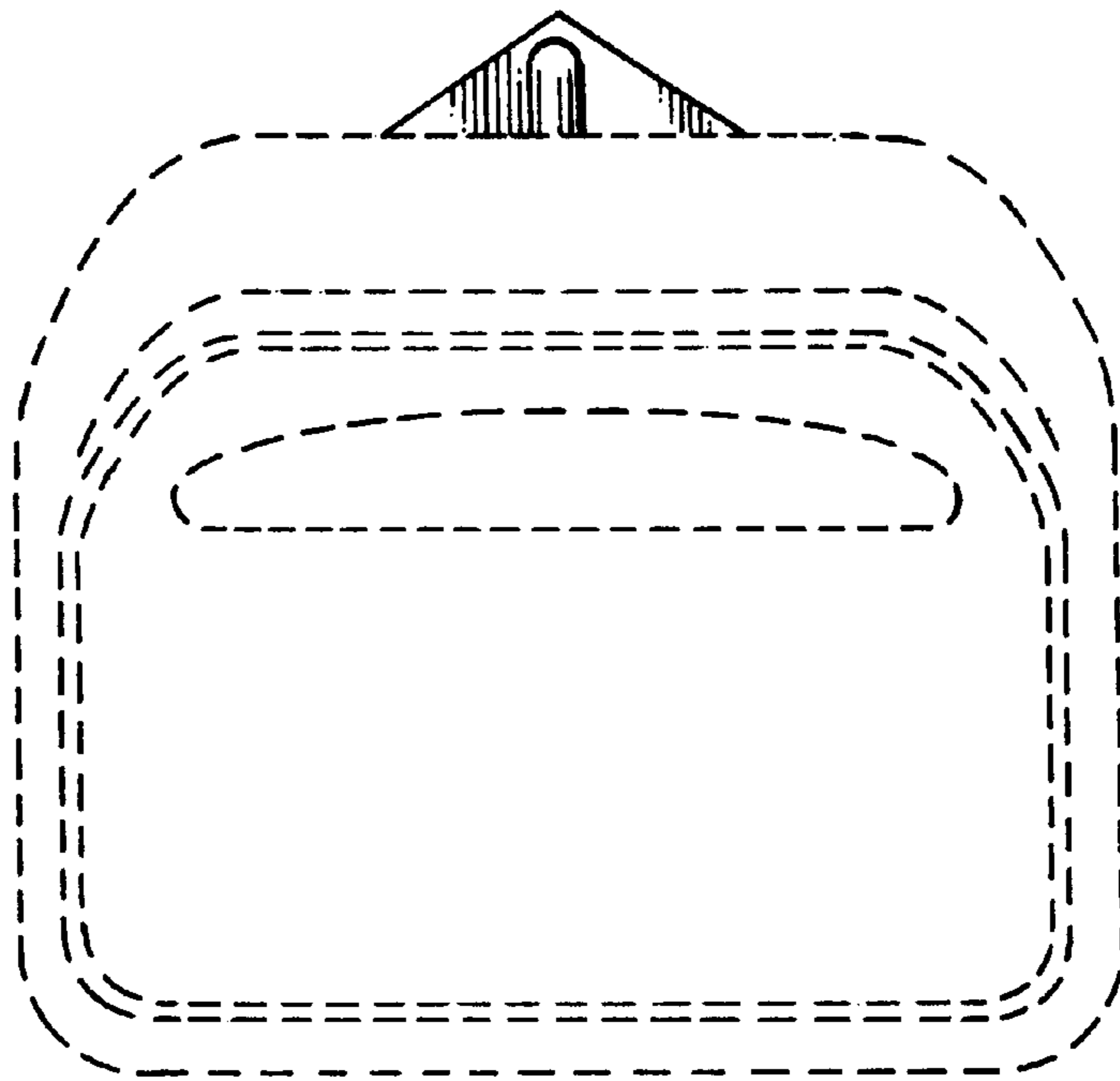


FIG. 4

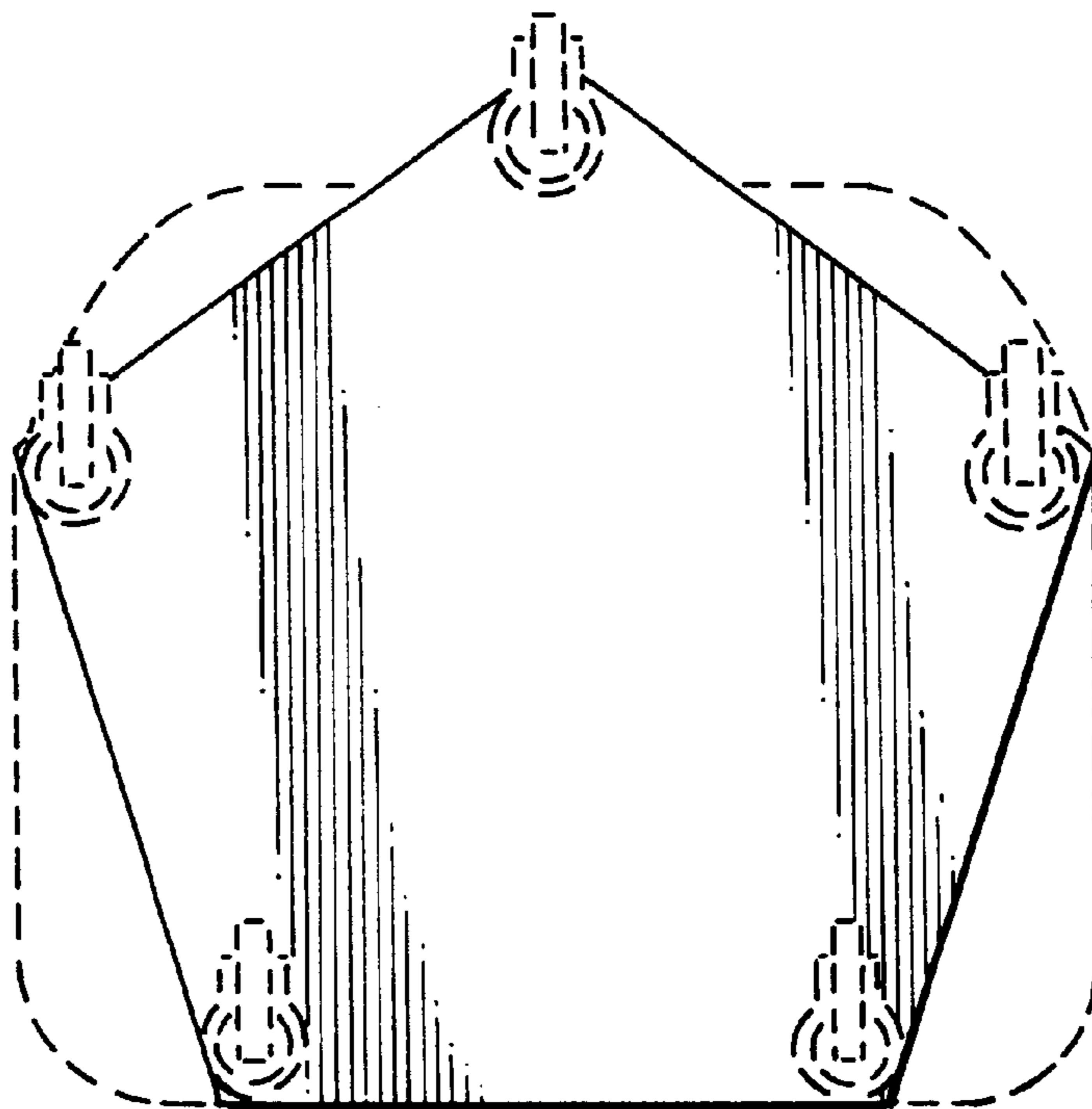


FIG. 5

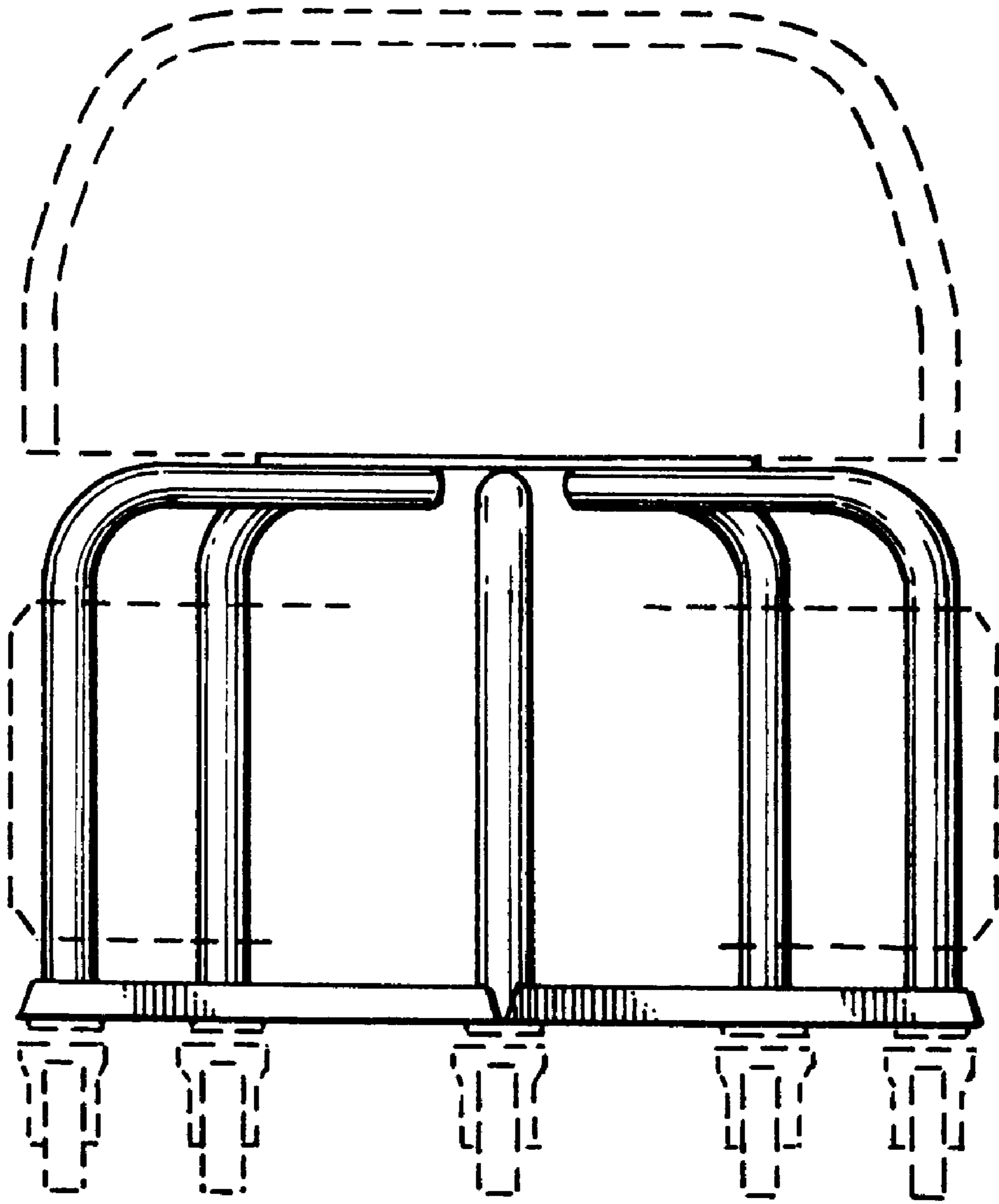


FIG. 6