



US00D456646S

(12) **United States Design Patent**
McDaniel et al.

(10) **Patent No.:** **US D456,646 S**

(45) **Date of Patent:** **** May 7, 2002**

(54) **TABLE**

D353,730 S * 12/1994 Klein D6/487
D448,590 S * 10/2001 McDaniel et al. D6/495

(75) Inventors: **Thomas M. McDaniel; D. Scott Coley,**
both of Morganton, NC (US)

* cited by examiner

(73) Assignee: **Bernhardt L.L.C.,** Lenoir, NC (US)

Primary Examiner—Janice E. Seeger

(74) *Attorney, Agent, or Firm*—MacCord Mason PLLC

(**) Term: **14 Years**

(57) **CLAIM**

(21) Appl. No.: **29/137,791**

The ornamental design for a table, as shown and described.

(22) Filed: **Feb. 26, 2001**

DESCRIPTION

(51) **LOC (7) Cl.** **06-06**

(52) **U.S. Cl.** **D6/495**

(58) **Field of Search** D6/480–489, 451,
D6/495–499, 436, 477; 108/153.1, 156,
157.1, 161; 248/188, 188.1, 188.8

FIG. 1 is a front perspective view of a table showing my new design;

FIG. 2 is a side view, the opposite side being a mirror image thereof;

FIG. 3 is an end view, the opposite end being a mirror image thereof; and,

FIG. 4 is a top view thereof.

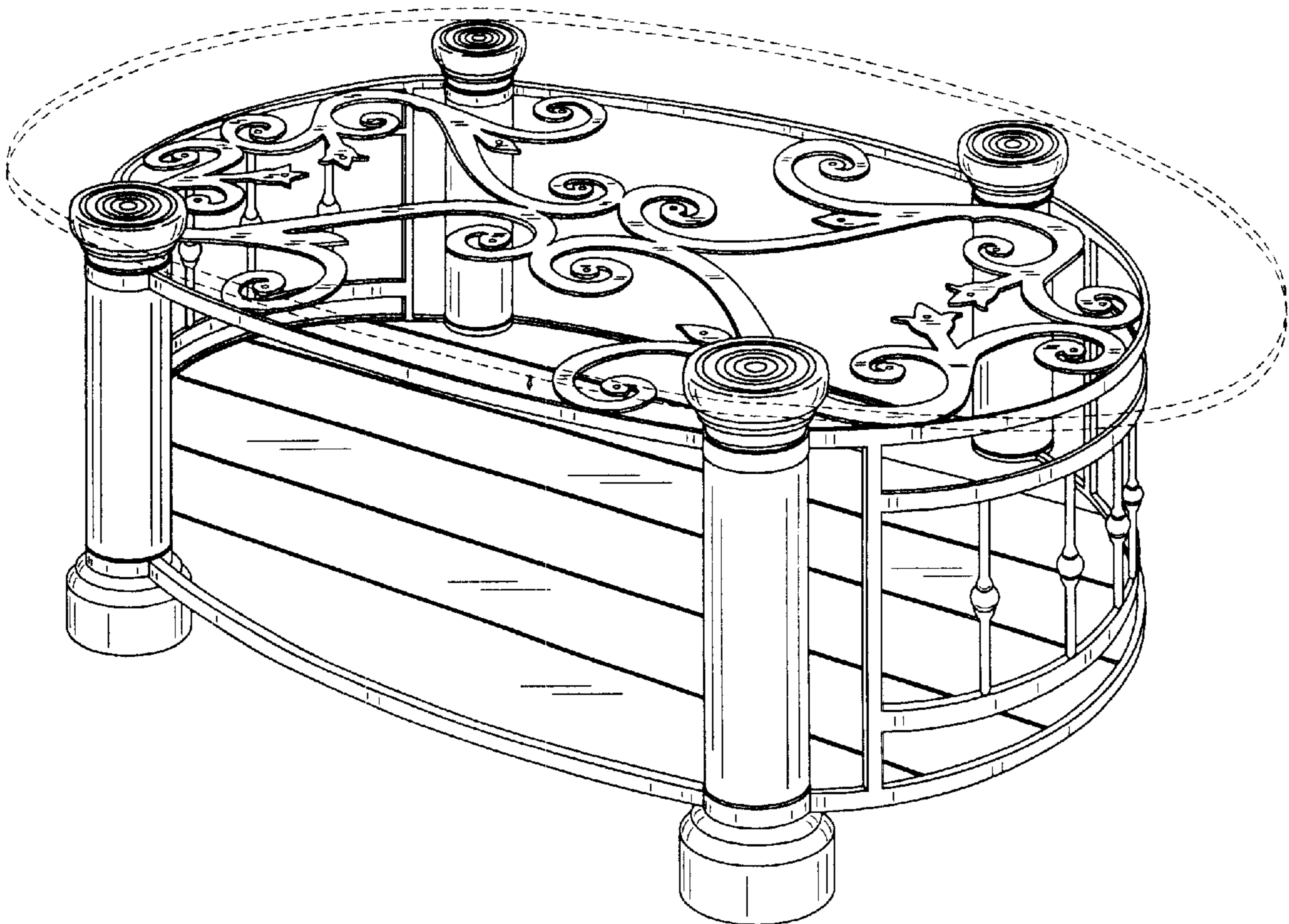
The broken line showing the outline of a glass top is for illustrative purposes and forms no part of the claimed design.

(56) **References Cited**

U.S. PATENT DOCUMENTS

D203,603 S * 2/1966 Poletika D6/484
D290,561 S * 6/1987 Becker D6/455
D351,959 S * 11/1994 Klein D6/487

1 Claim, 4 Drawing Sheets



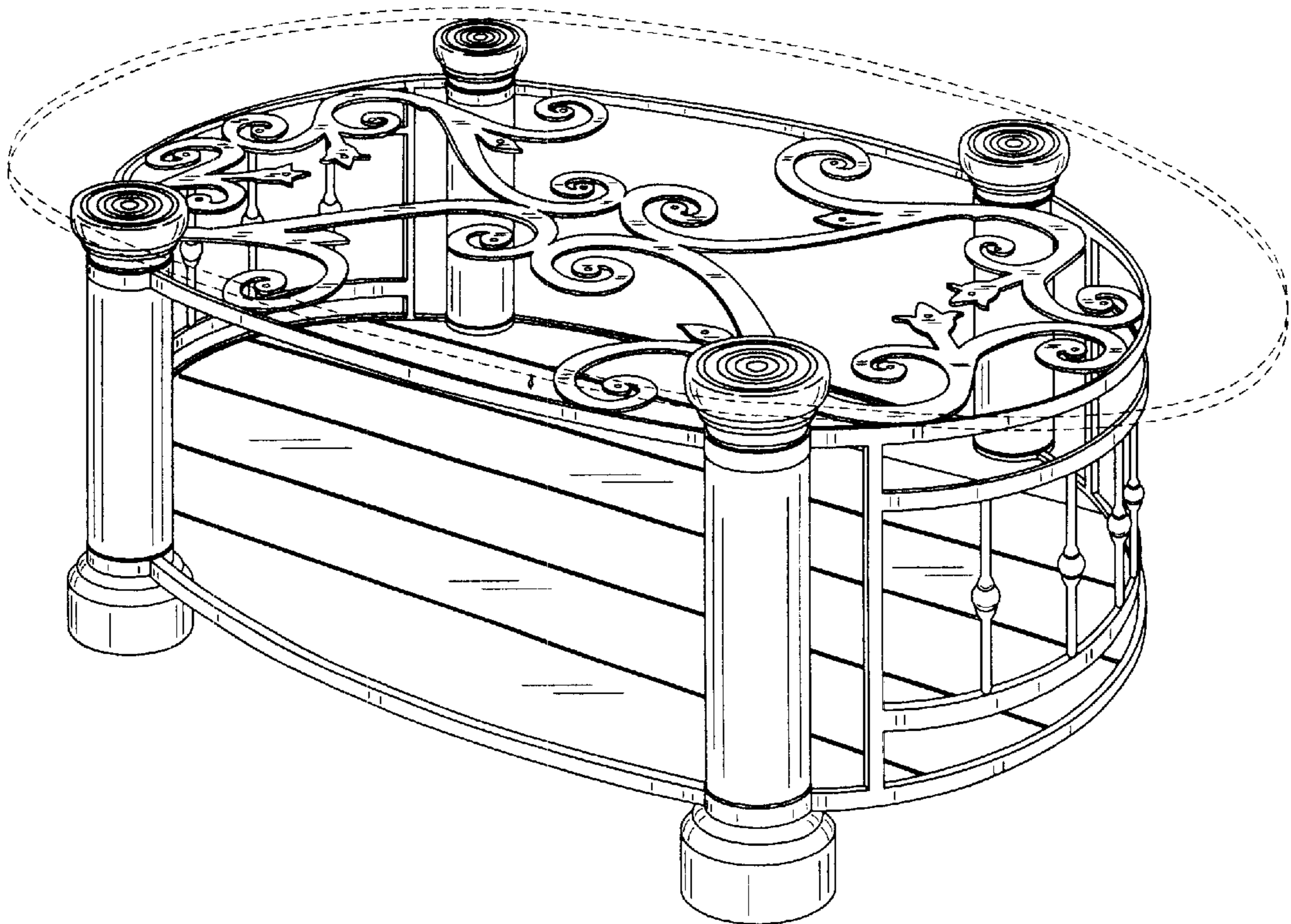


FIG.1

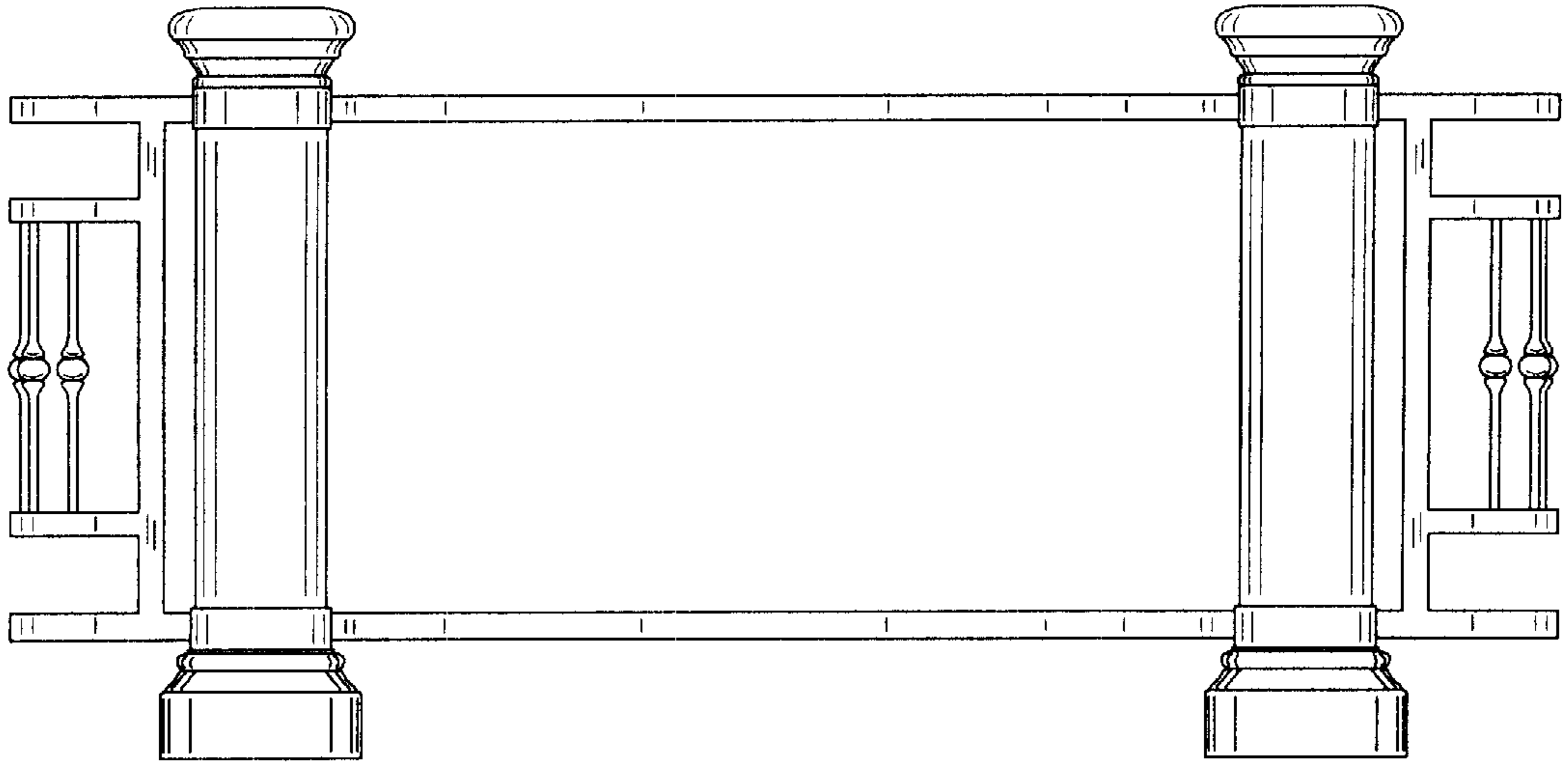


FIG.2

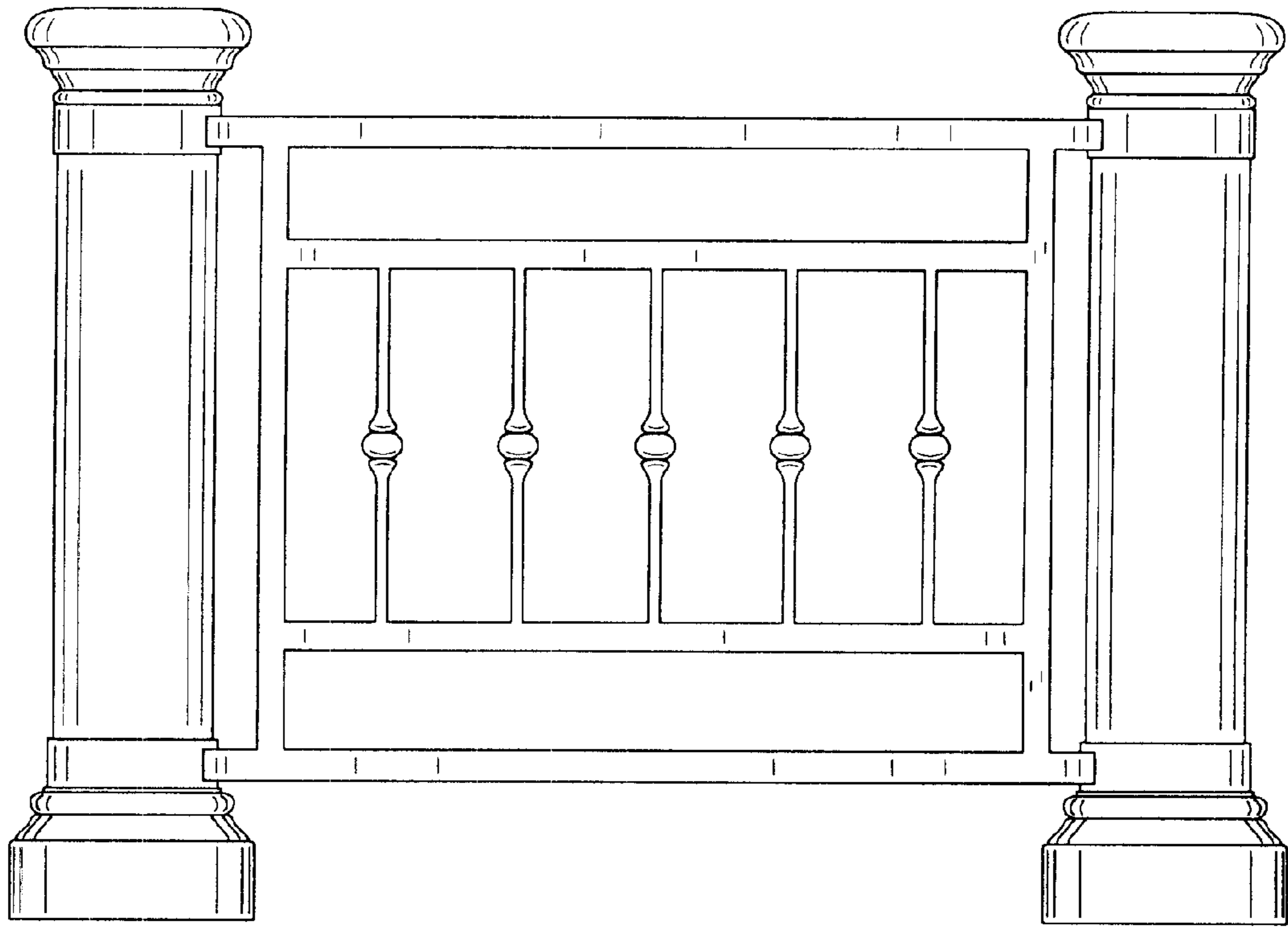


FIG.3

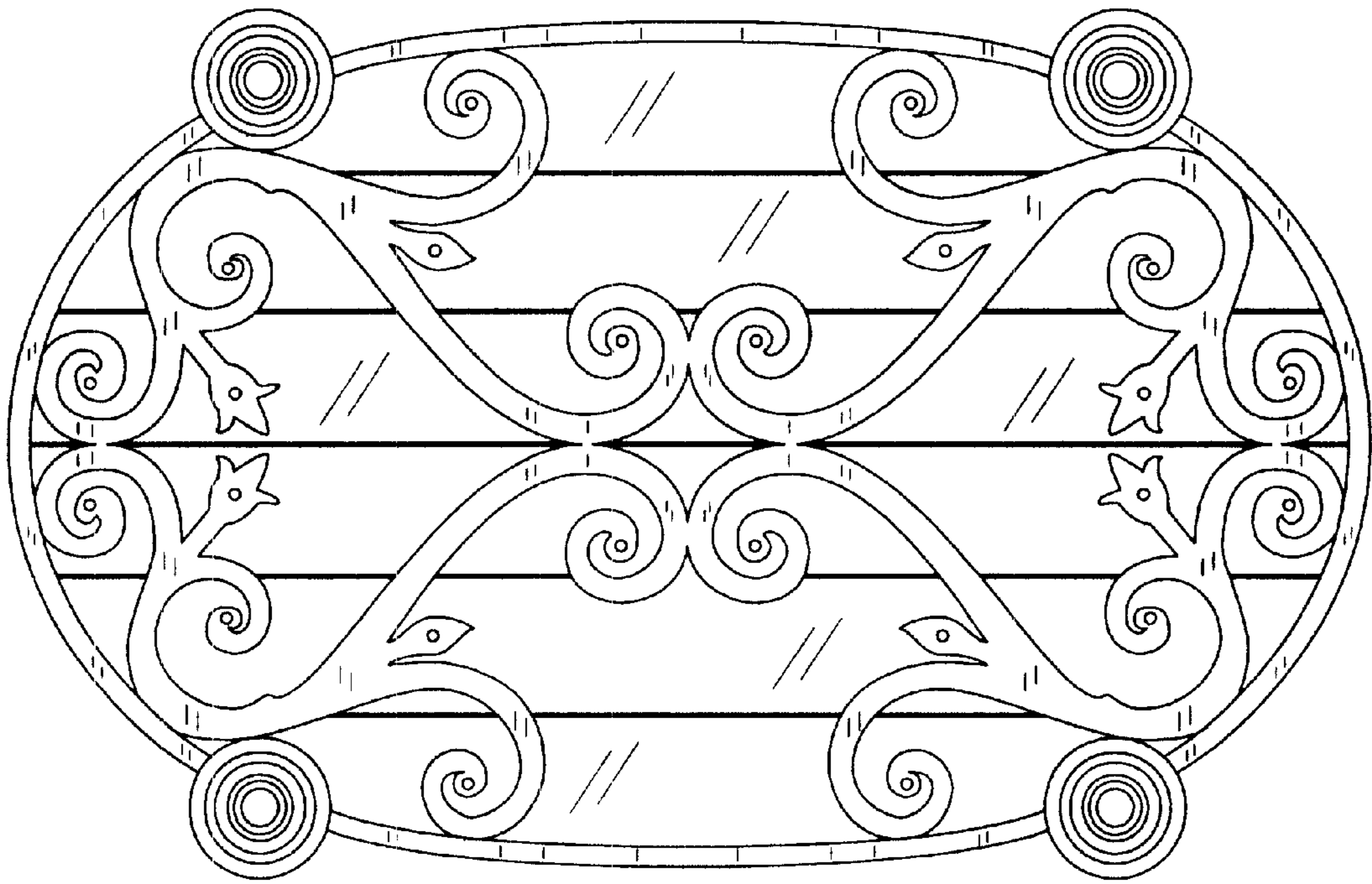


FIG.4