



US00D456645S

(12) **United States Design Patent**
Iverson

(10) **Patent No.:** **US D456,645 S**

(45) **Date of Patent:** **** May 7, 2002**

(54) **BOWLING ALLEY TABLE**

Bowling equipment, tables, chairs and alleys, Brunswick Bowling Catalog, Supplies and Equipment, 1952, pp. 30 and 31.*

(76) Inventor: **Mark Thomas Iverson**, 2505 N. Rockwell Ave., Chicago, IL (US) 60647

(**) Term: **14 Years**

* cited by examiner

(21) Appl. No.: **29/123,674**

(22) Filed: **May 22, 2000**

Primary Examiner—Doris V. Coles
Assistant Examiner—Elizabeth A. Albert
(74) *Attorney, Agent, or Firm*—Lloyd L. Zickert

Related U.S. Application Data

(63) Continuation of application No. 09/156,060, filed on Sep. 17, 1998.

(51) **LOC (7) Cl.** **06-03**

(52) **U.S. Cl.** **D6/487**

(58) **Field of Search** D6/335, 336, 337,
D6/338, 342, 429, 486, 487; 312/235.9;
297/135

(57) **CLAIM**

The ornamental design for a bowling alley table, as shown and described.

DESCRIPTION

(56) **References Cited**

U.S. PATENT DOCUMENTS

- D196,121 S * 8/1963 Soszynski D6/337
- D339,487 S * 9/1993 Rizzi D6/486
- D401,086 S * 11/1998 Hellwig et al. D6/429
- D413,212 S * 8/1999 Dame et al. D6/487

OTHER PUBLICATIONS

- Wholesale Furniture Catalog M-952, p. M-52 Rollaway Tables with Stools, upper right corner of page.*
- IKEA Catalog, 1991, p. 76, Triangular Table, upper right corner of page.*

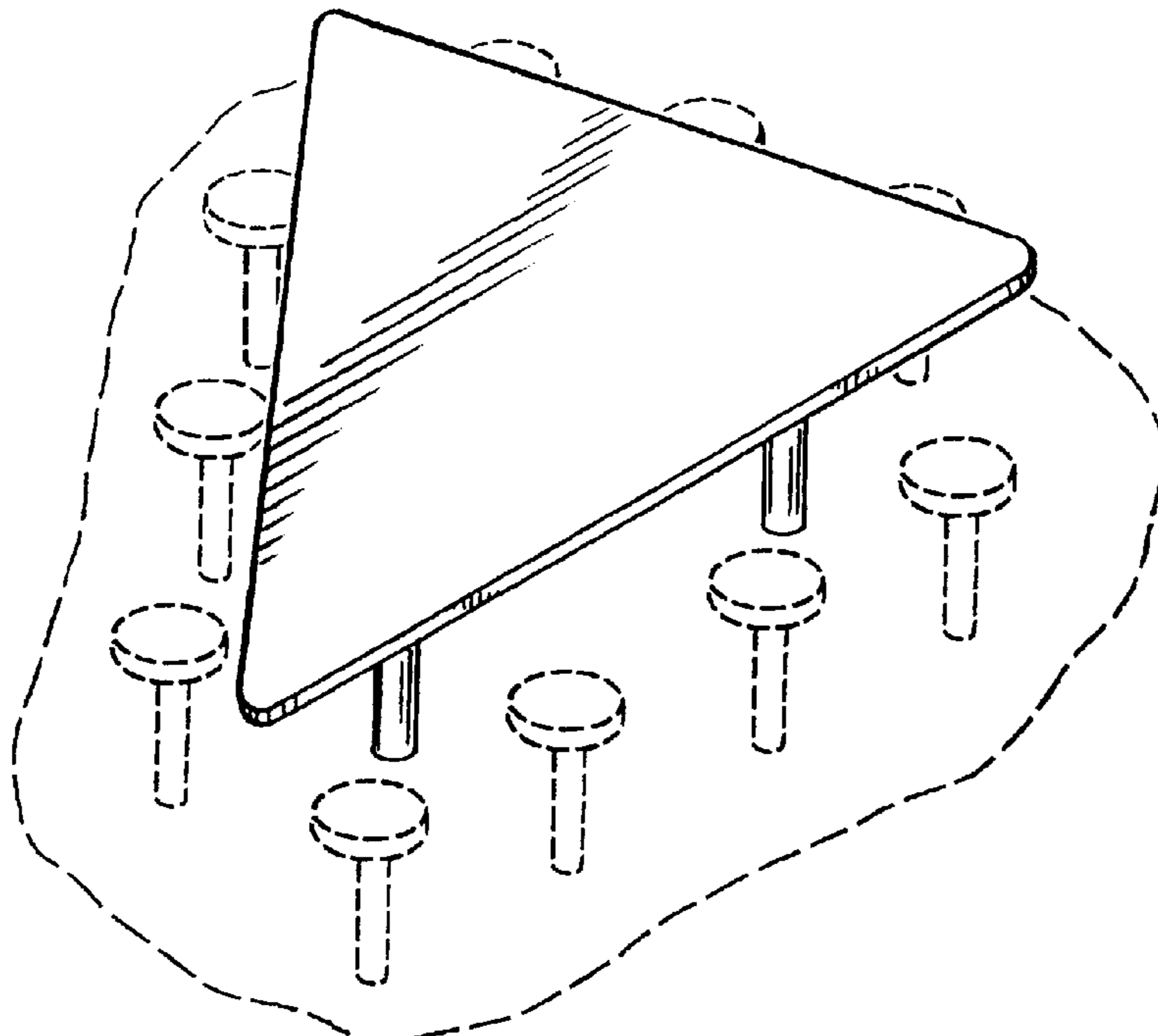
FIG. 1 is a top plan view of a bowling alley table showing my new design;

FIG. 2 is a side elevational view thereof of the bowling alley table of my design; and,

FIG. 3 is a top perspective view of a bowling alley table of my design.

The broken lines in the drawings form no part of the claimed design.

1 Claim, 2 Drawing Sheets



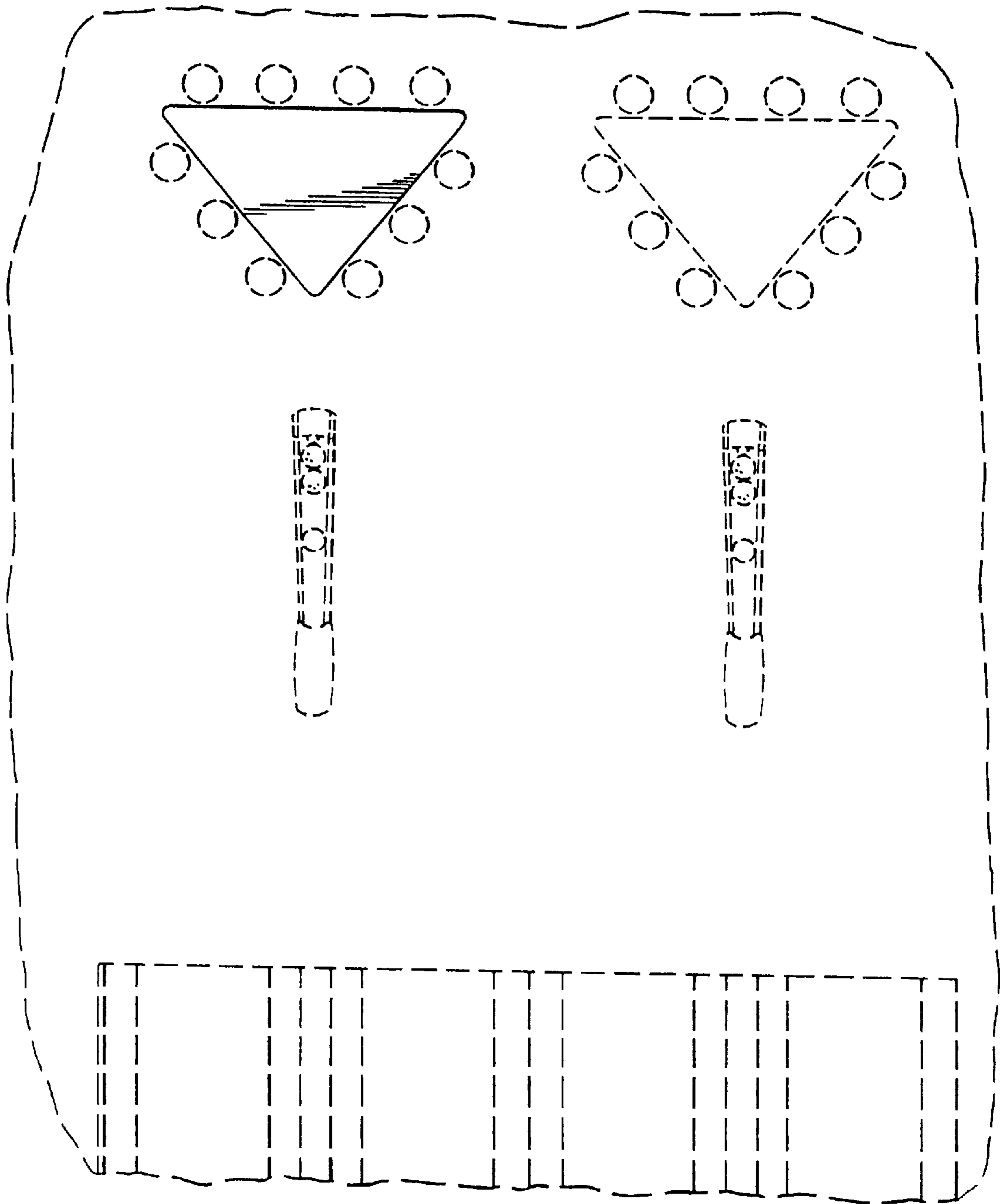


FIG. 1

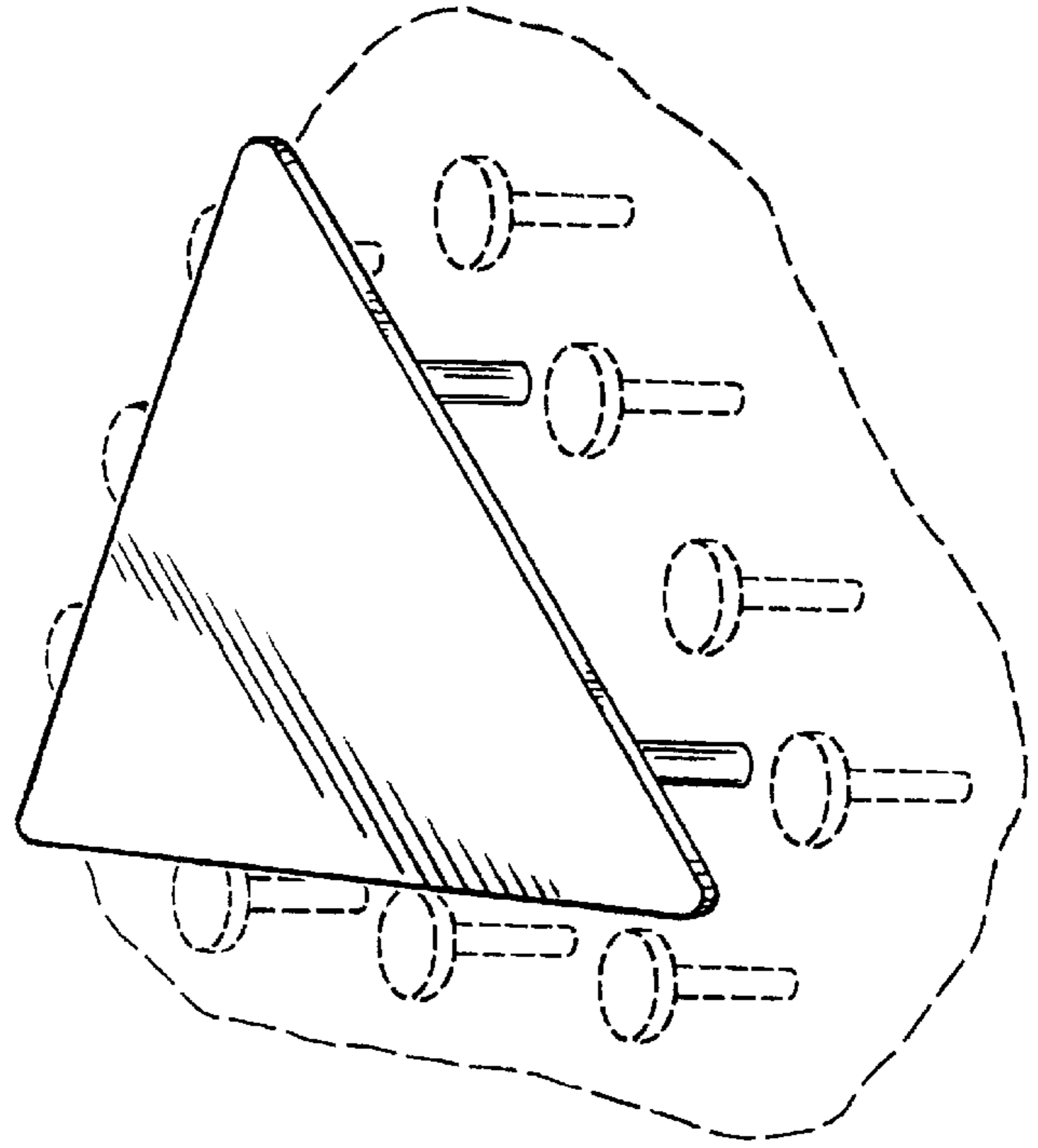
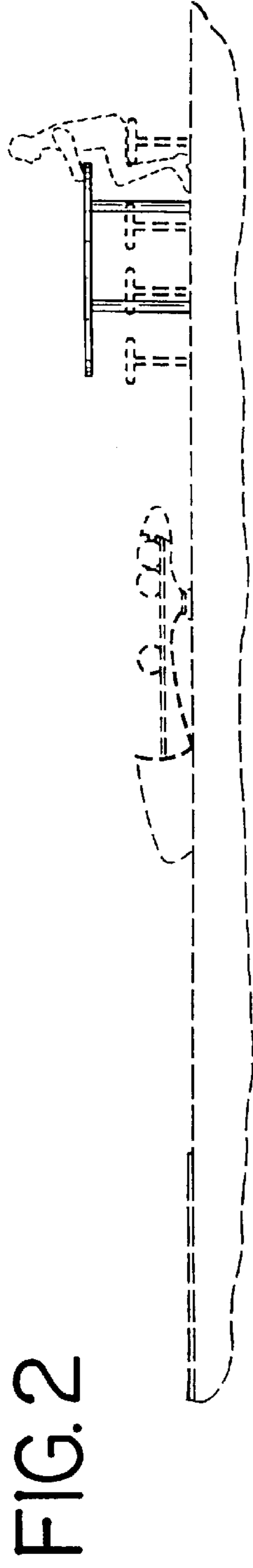


FIG. 3