



US00D456643S

(12) **United States Design Patent**
Harner

(10) **Patent No.:** **US D456,643 S**

(45) **Date of Patent:** **** May 7, 2002**

(54) **TABLE**

6,116,165 A * 9/2000 Kadesky 108/43

(76) **Inventor:** **Scott A. Harner**, 2249 Elm St., #503,
Cleveland, OH (US) 44113

* cited by examiner

(**) **Term:** **14 Years**

Primary Examiner—Janice E. Seeger

(74) *Attorney, Agent, or Firm*—Standley & Gilcrest LLP

(21) **Appl. No.:** **29/139,004**

(57) **CLAIM**

(22) **Filed:** **Mar. 21, 2001**

The ornamental design for a table, as shown and described above.

(51) **LOC (7) Cl.** **06-03**

DESCRIPTION

(52) **U.S. Cl.** **D6/480**

FIG. 1 is a perspective view of the table of the present invention;

(58) **Field of Search** D6/480–489, 495–499,
D6/406.5; 108/153.1, 156, 157.1, 161, 43;
248/188, 188.1, 188.8

FIG. 2 is a top plan view of the table;

FIG. 3 is a front elevational view of the table of FIG. 2;

FIG. 4 is a side elevational view of the table of the present invention;

(56) **References Cited**

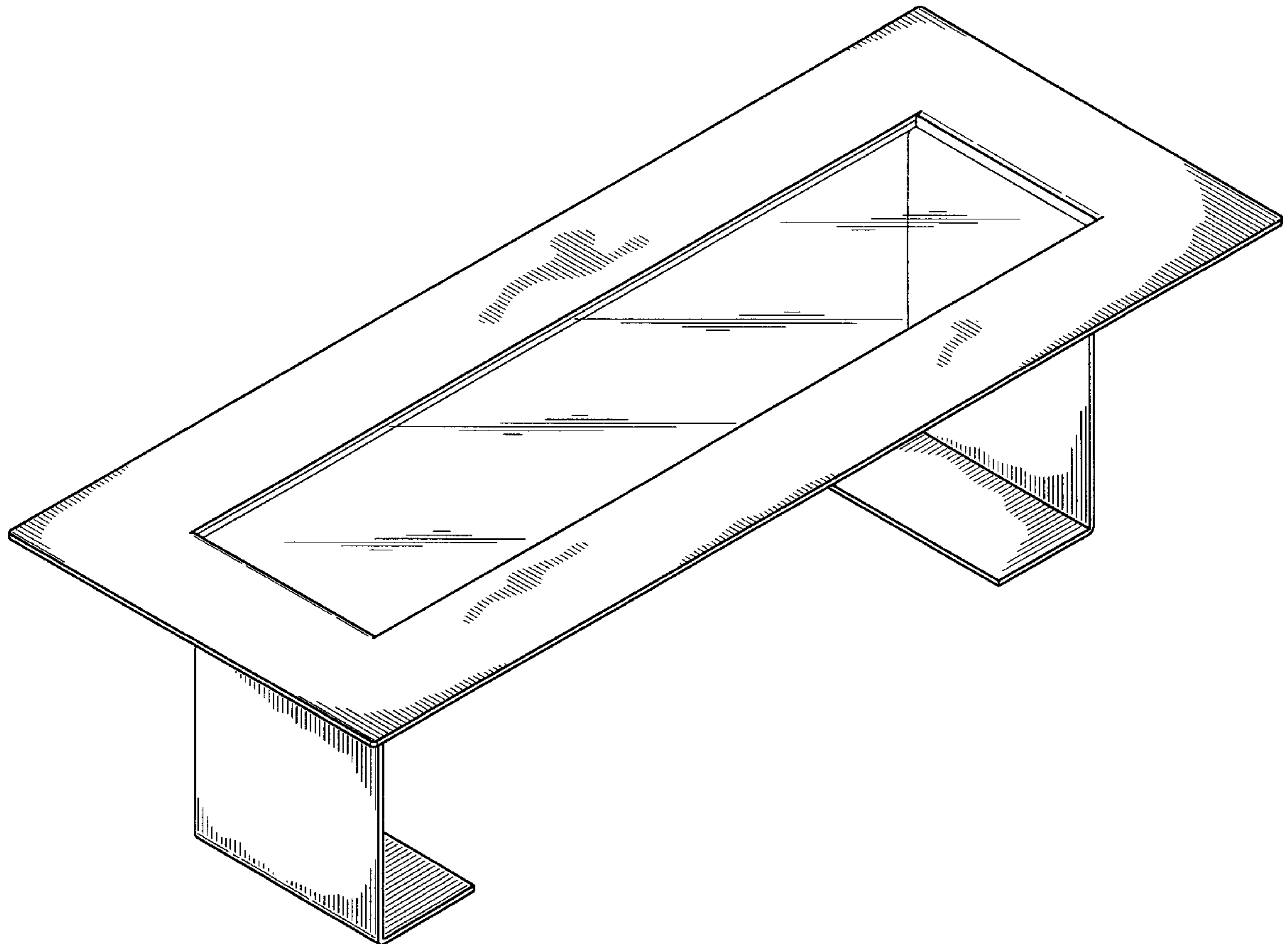
U.S. PATENT DOCUMENTS

- 2,763,522 A * 9/1956 Berman D6/483
- D196,440 S * 10/1963 Turner D6/480
- D197,967 S * 4/1964 Waitzman D6/495

FIG. 5 is a bottom plan view of the table of FIG. 2; and,

FIG. 6 is a cross-sectional view of the table of the present invention taken along lines 6—6.

1 Claim, 3 Drawing Sheets



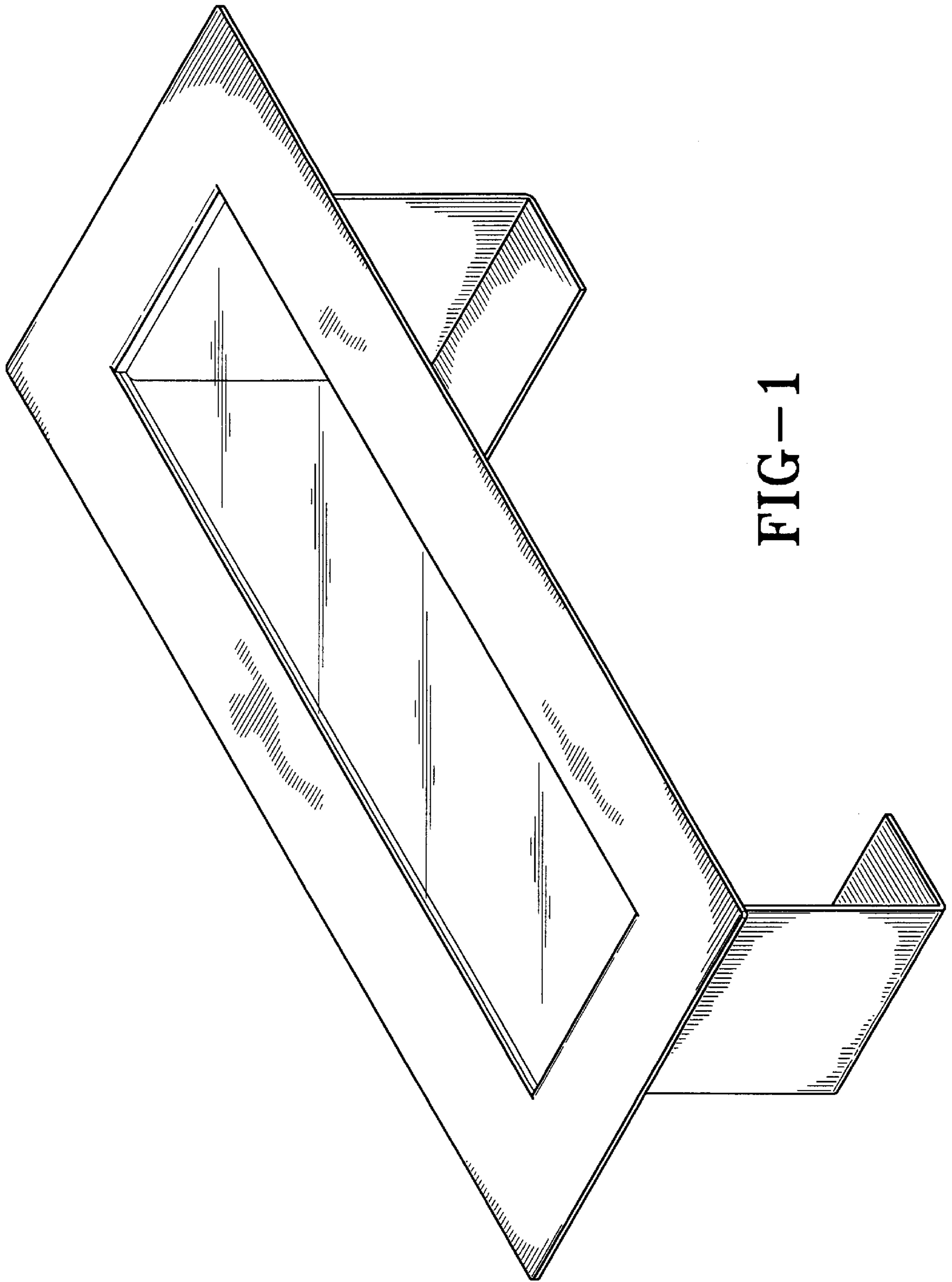


FIG-1

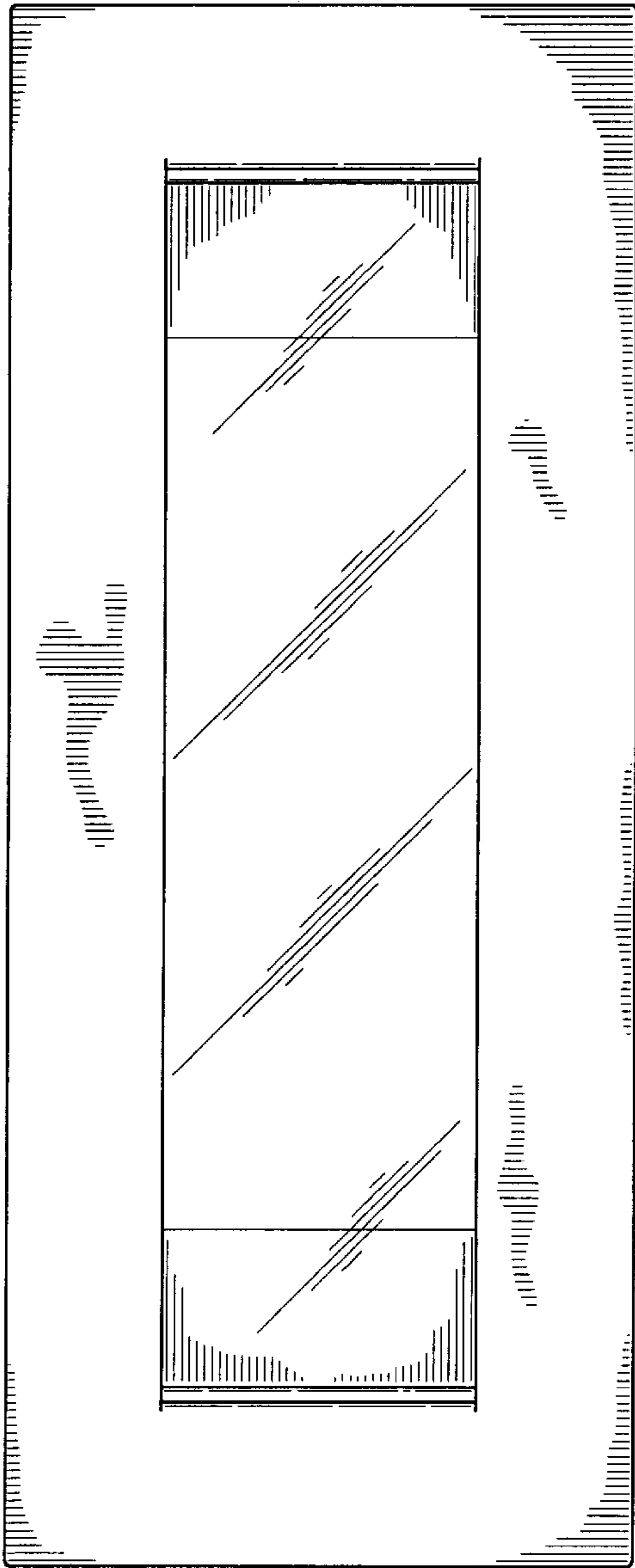


FIG-2

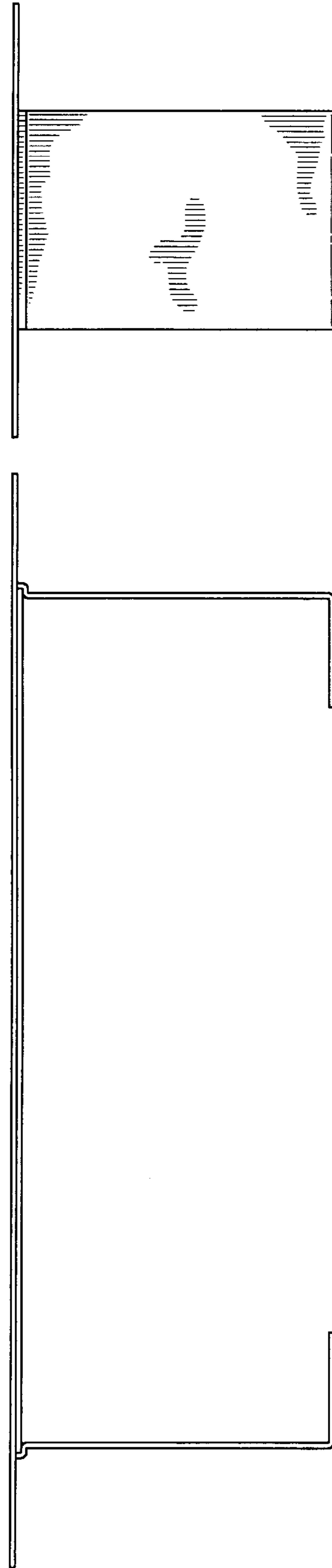


FIG-3

FIG-4

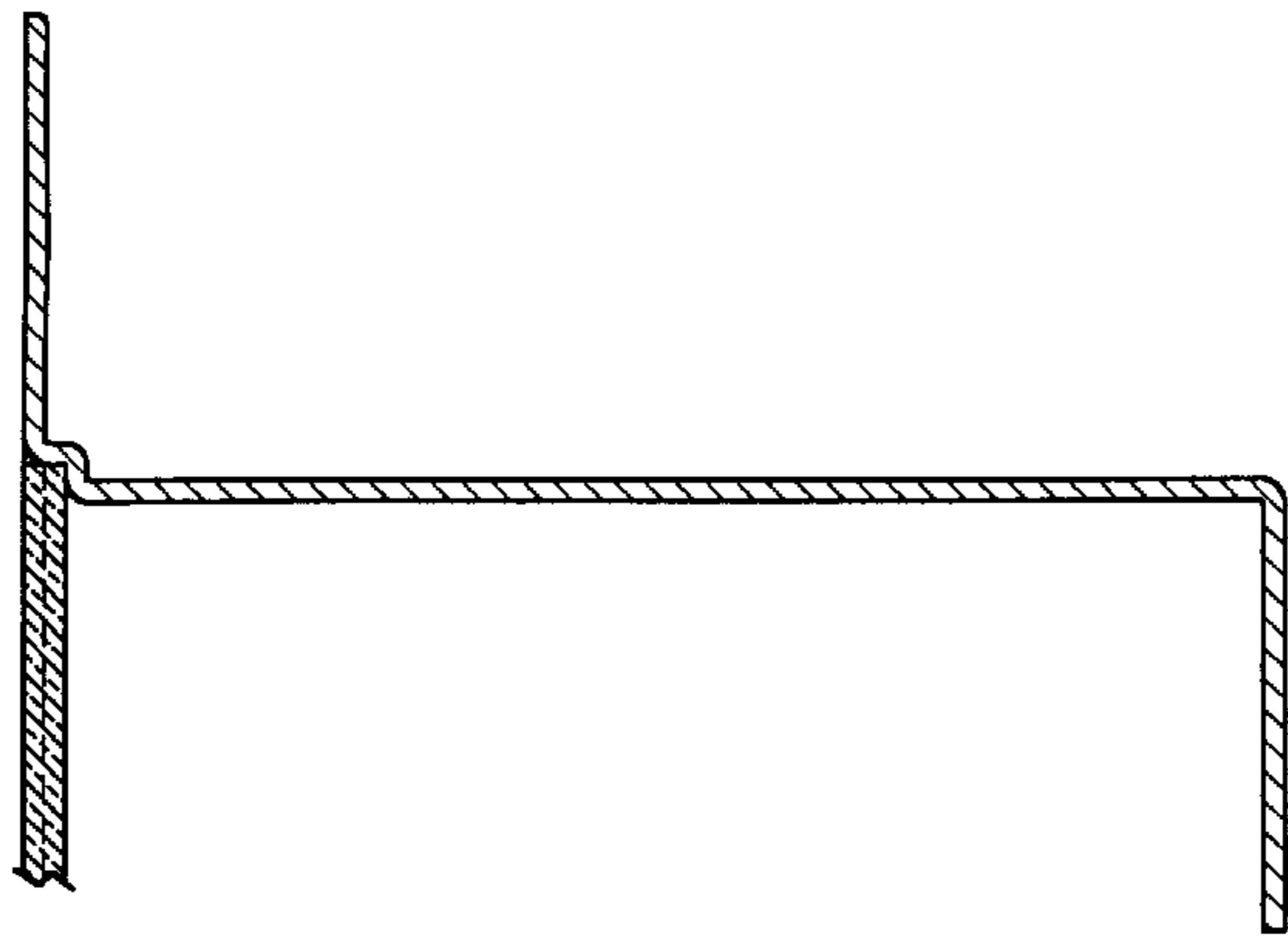


FIG-6

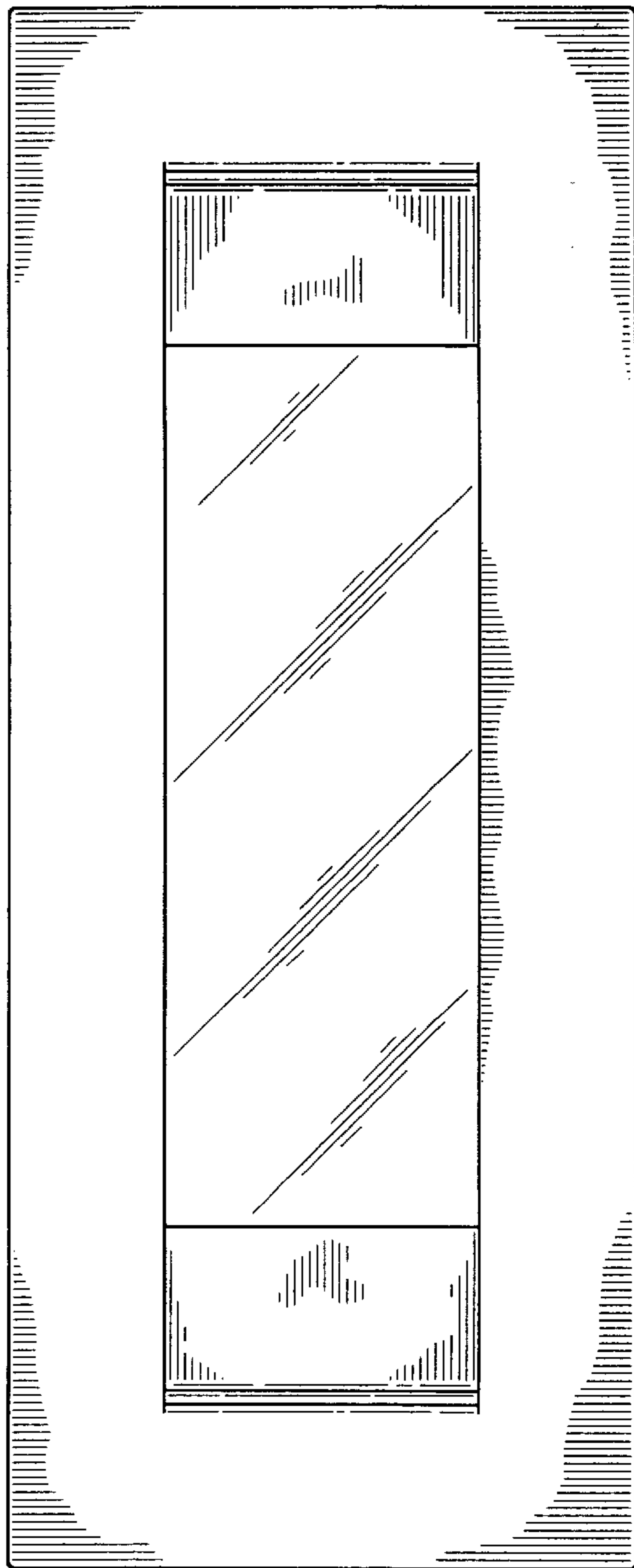


FIG-5