



US00D456638S

(12) **United States Design Patent**
Walker

(10) **Patent No.:** **US D456,638 S**

(45) **Date of Patent:** **** May 7, 2002**

(54) **SPACESAVER SHELVING**

(75) Inventor: **David Walker**, Chester, PA (US)

(73) Assignee: **Zenith Products Corp.**, New Castle, DE (US)

(**) Term: **14 Years**

(21) Appl. No.: **29/141,627**

(22) Filed: **May 9, 2001**

(51) **LOC (7) Cl.** **06-04**

(52) **U.S. Cl.** **D6/465**

(58) **Field of Search** D6/343, 397, 409-415, D6/458, 462-468, 477, 479, 475, 455, 456, 546; 108/50.11, 59, 91, 92, 93; 211/13.1, 37, 38, 85.3, 85.4, 30, 34, 42, 49.1, 90.03, 106, 119, 134, 186-189, 181.1, 200, 204-208; 248/441.1, 465.1, 175, 451, 124.1, 448

(56) **References Cited**

U.S. PATENT DOCUMENTS

- D306,241 S * 2/1990 Mo D6/465
- D308,776 S * 6/1990 Kee D6/464
- D314,099 S * 1/1991 Kee D6/465
- D320,900 S * 10/1991 Kee D6/465

- D328,400 S * 8/1992 Kee D6/465
- D331,846 S * 12/1992 Kee D6/465
- D383,921 S * 9/1997 Newkirk D6/465

OTHER PUBLICATIONS

Best Catalog, 3 Shelf Bakers Rack, p. K22, '95/'96.*

* cited by examiner

Primary Examiner—Cathron C. Brooks

(74) *Attorney, Agent, or Firm*—Edgar A. Zarins; Lloyd D. Doigan

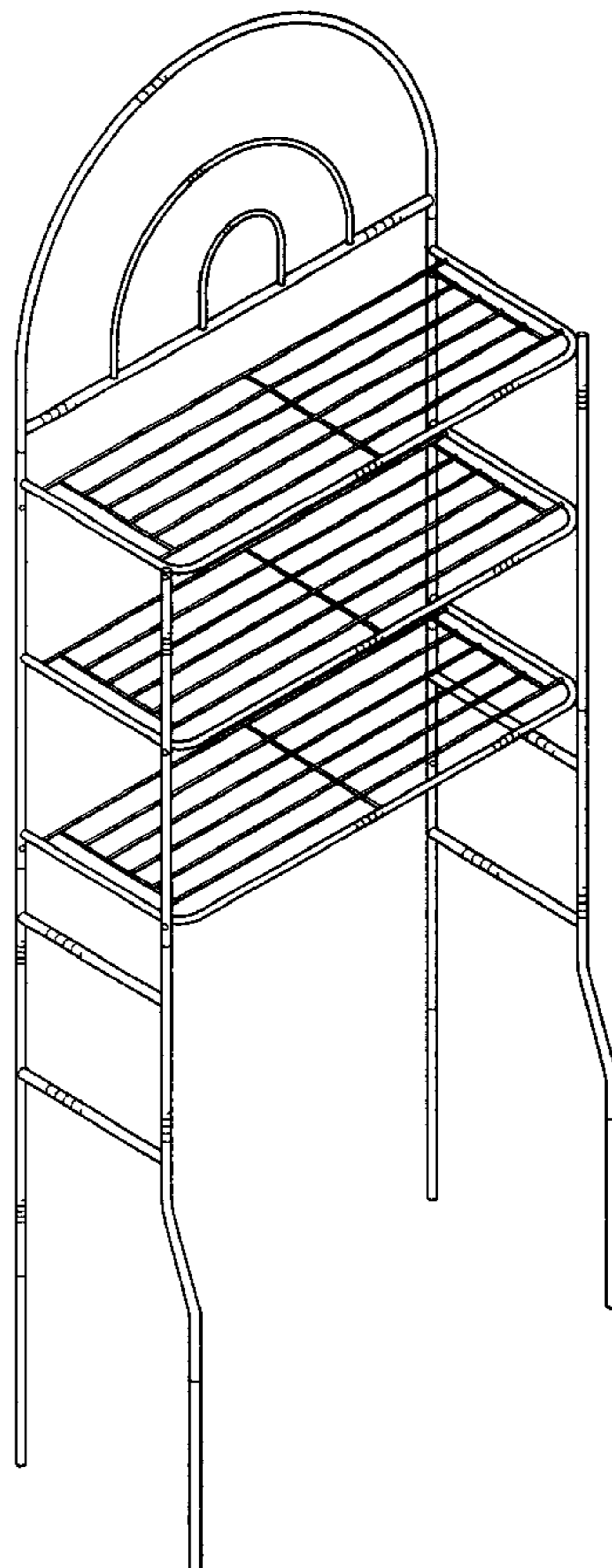
(57) **CLAIM**

The ornamental design for spacesaver shelving, as shown and described.

DESCRIPTION

FIG. 1 is a top perspective view of spacesaver shelving showing my new design;
 FIG. 2 is a front elevational view thereof;
 FIG. 3 is a right side view thereof;
 FIG. 4 is a rear elevational view thereof;
 FIG. 5 is a left side view thereof;
 FIG. 6 is a top plan view thereof; and,
 FIG. 7 is a bottom plan view thereof.

1 Claim, 3 Drawing Sheets



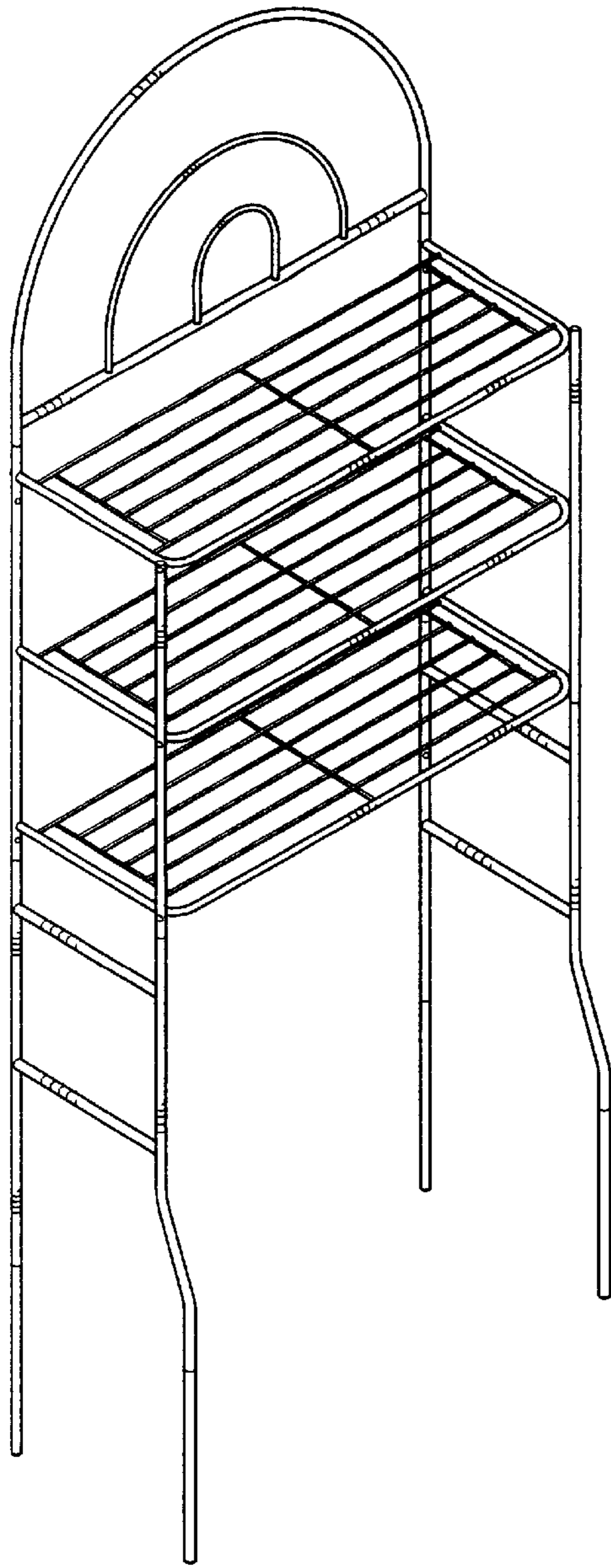


Fig-1

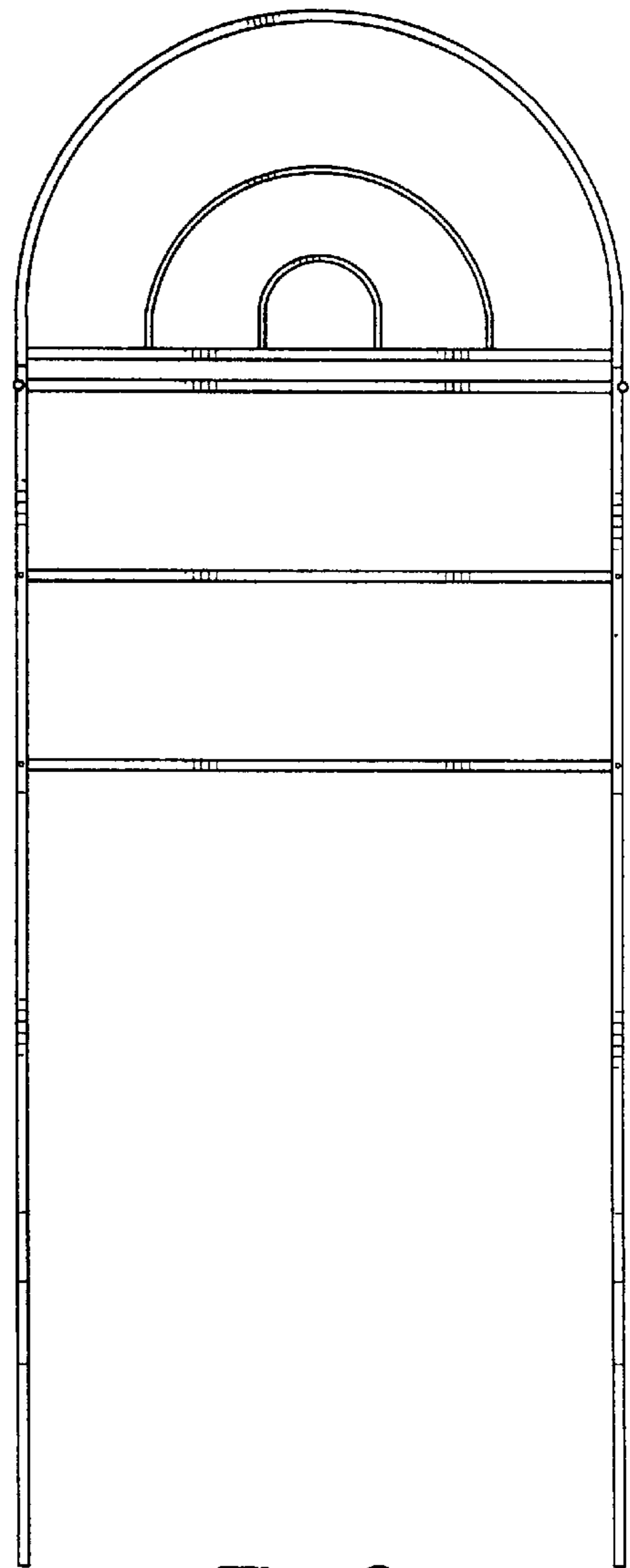


Fig-2

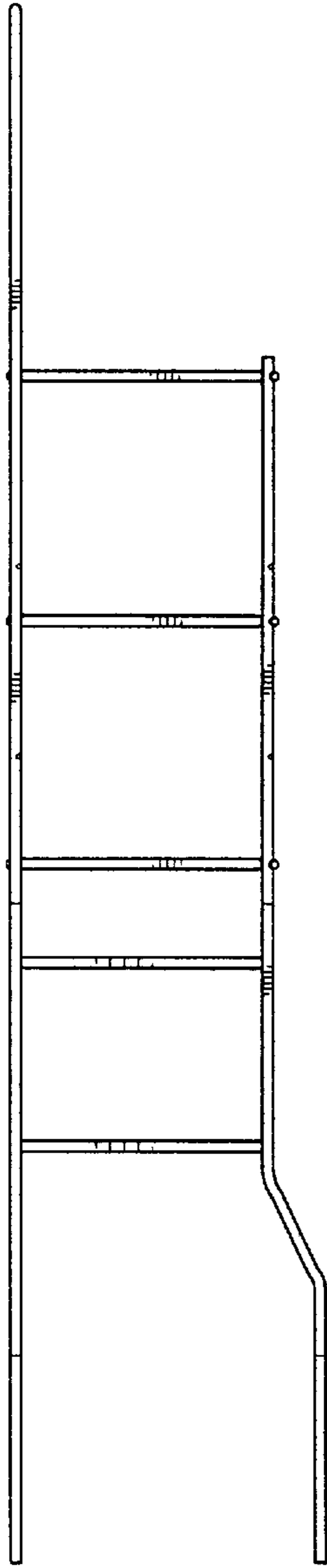


Fig-3

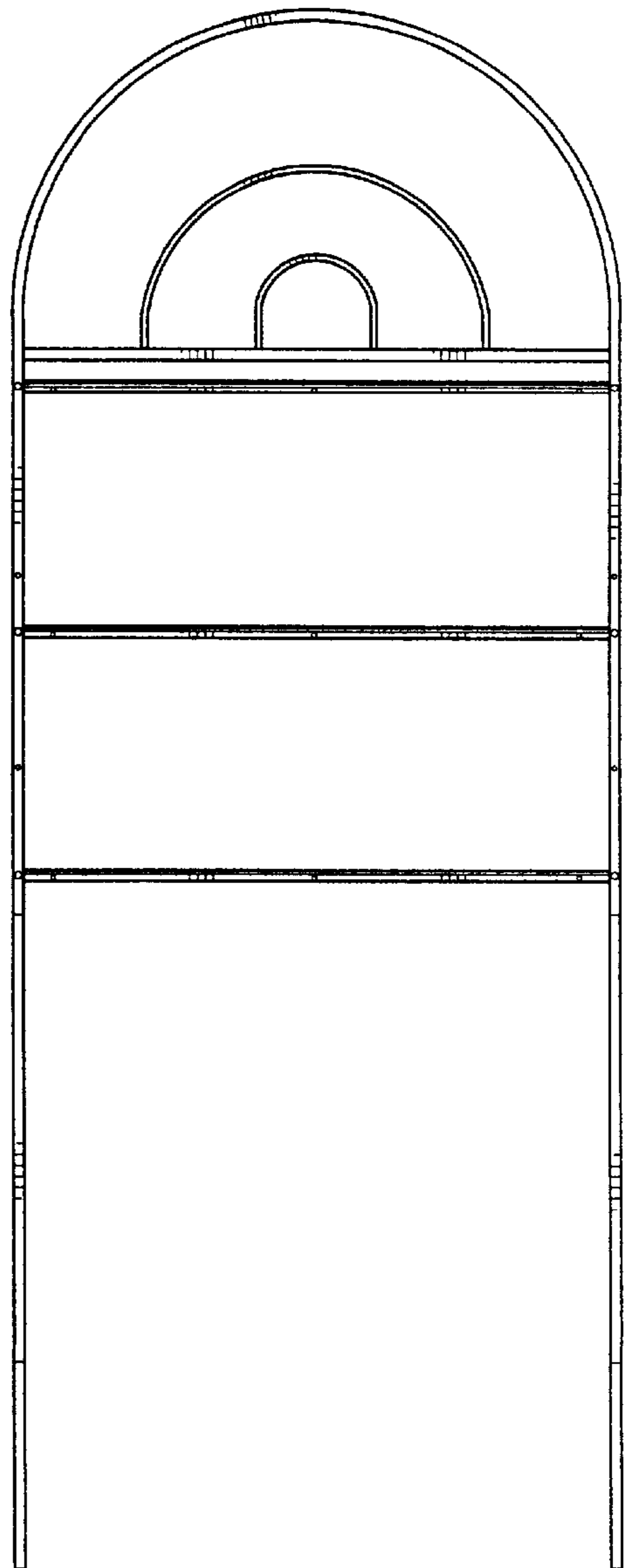


Fig-4

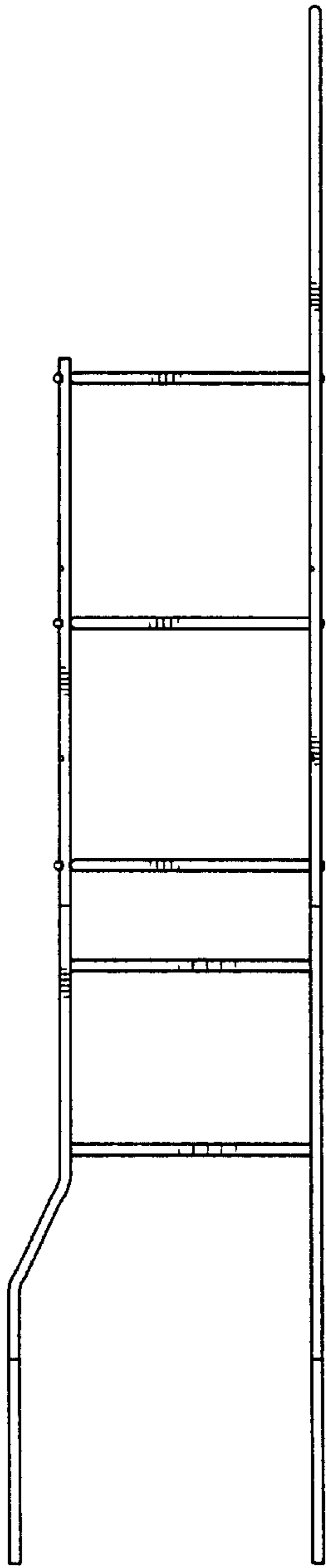


Fig-5

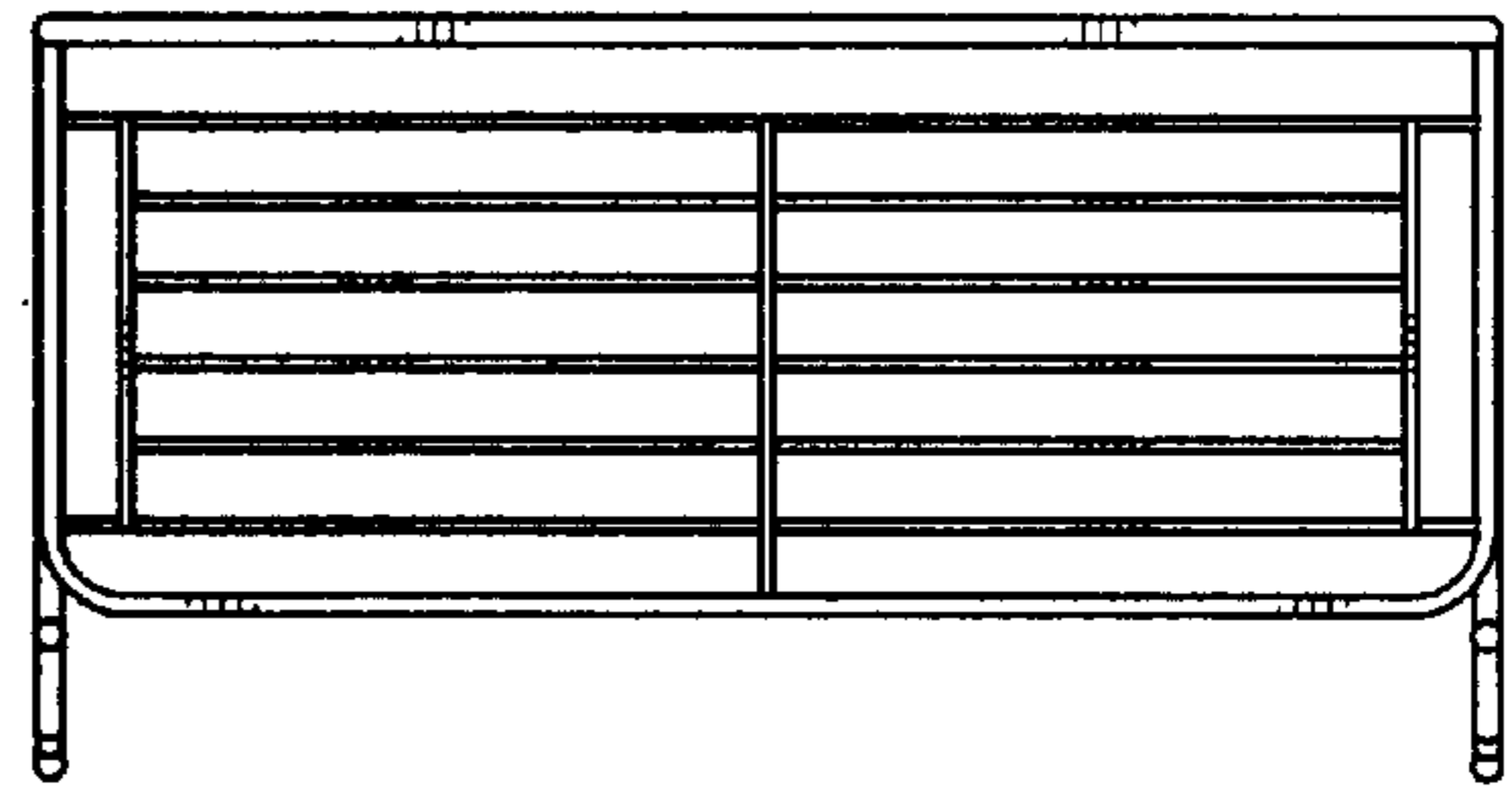


Fig-6

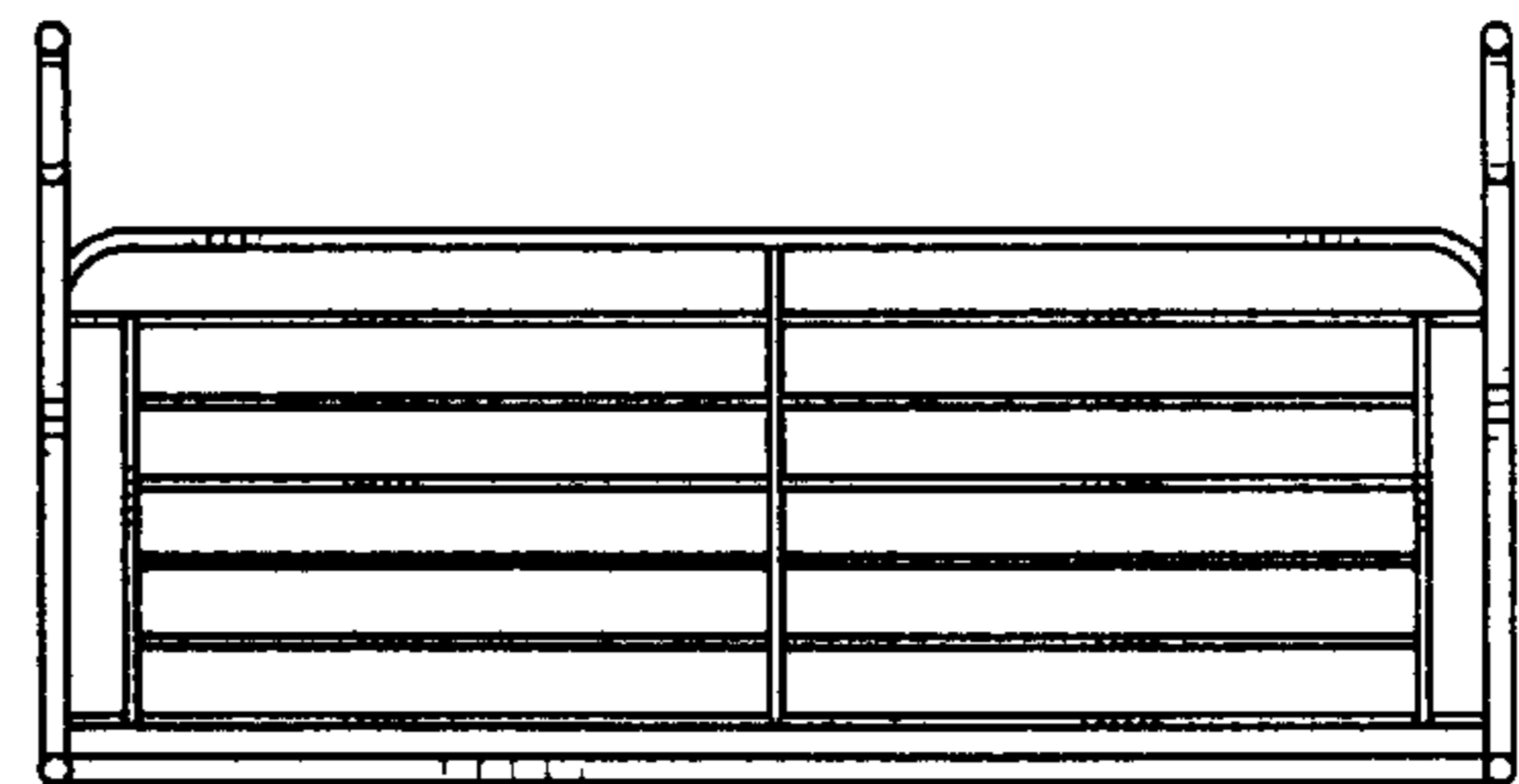


Fig-7