



US00D456636S

(12) **United States Design Patent**
Papai

(10) **Patent No.:** **US D456,636 S**

(45) **Date of Patent:** **** May 7, 2002**

(54) **DISPLAY STAND FOR CANDLE ACCESSORIES**

D296,163 S * 6/1988 Curio D6/415
D313,326 S * 1/1991 Harman et al. D6/458

(76) **Inventor:** **Tod A. Papai**, 2102 Michigan Ave.,
LaPorte, IN (US) 46350

* cited by examiner

(**) **Term:** **14 Years**

Primary Examiner—Cathron C. Brooks
(74) *Attorney, Agent, or Firm*—R. Tracy Crump

(21) **Appl. No.:** **29/139,154**

(57) **CLAIM**

(22) **Filed:** **Mar. 26, 2001**

The ornamental design of a display stand for candle accessories, as shown and described.

(51) **LOC (7) Cl.** **06-04**

DESCRIPTION

(52) **U.S. Cl.** **D6/457; D6/415; D6/468**

(58) **Field of Search** D6/396, 410, 411,
D6/415, 449, 455, 457, 466, 467, 468;
211/13.1, 85.5, 85.2, 74, 77, 78, 125, 163;
248/102, 105

FIG. 1 is a perspective view of the stand of the this invention with a containerized candle, candle covers, and promotional cards shown in broken lines for illustrative purposes only and forming no part of the claimed design;

FIG. 2 is a top plan view of the stand of this invention;
FIG. 3 is a bottom plan view of the stand of this invention;
and,

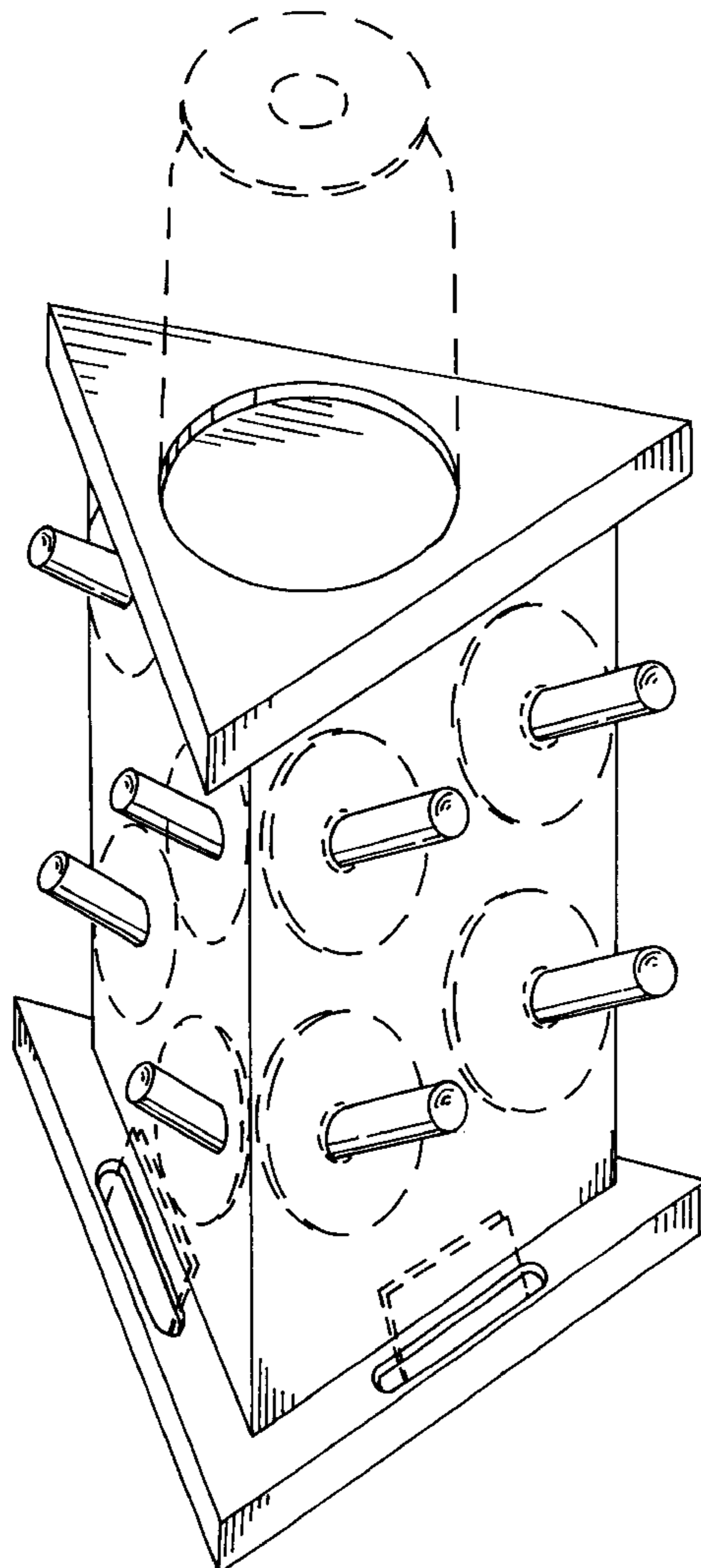
FIG. 4 is a side elevation view of the stand of this invention.

(56) **References Cited**

U.S. PATENT DOCUMENTS

D41,688 S * 8/1911 Hohner D6/458
D250,616 S * 12/1978 Cofer D3/25

1 Claim, 3 Drawing Sheets



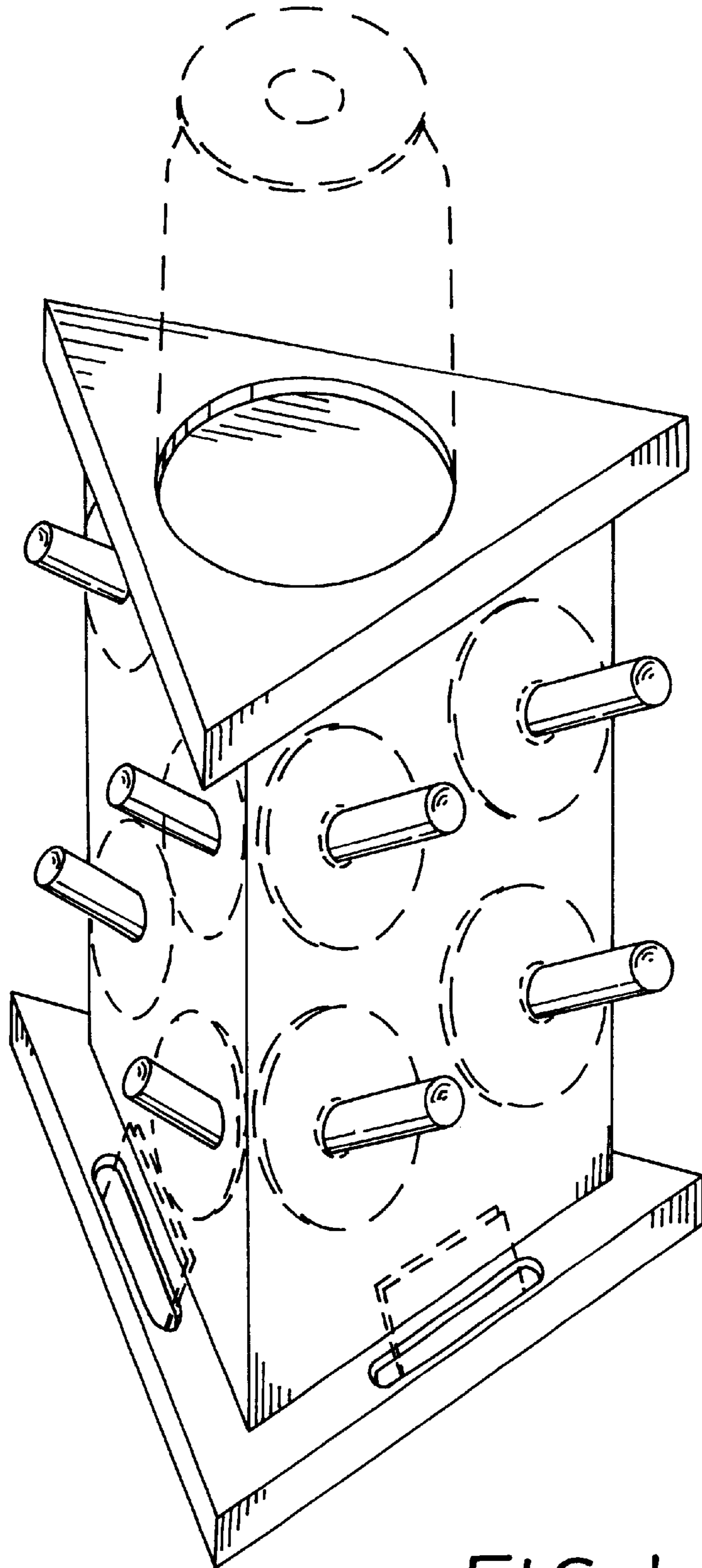


FIG. 1

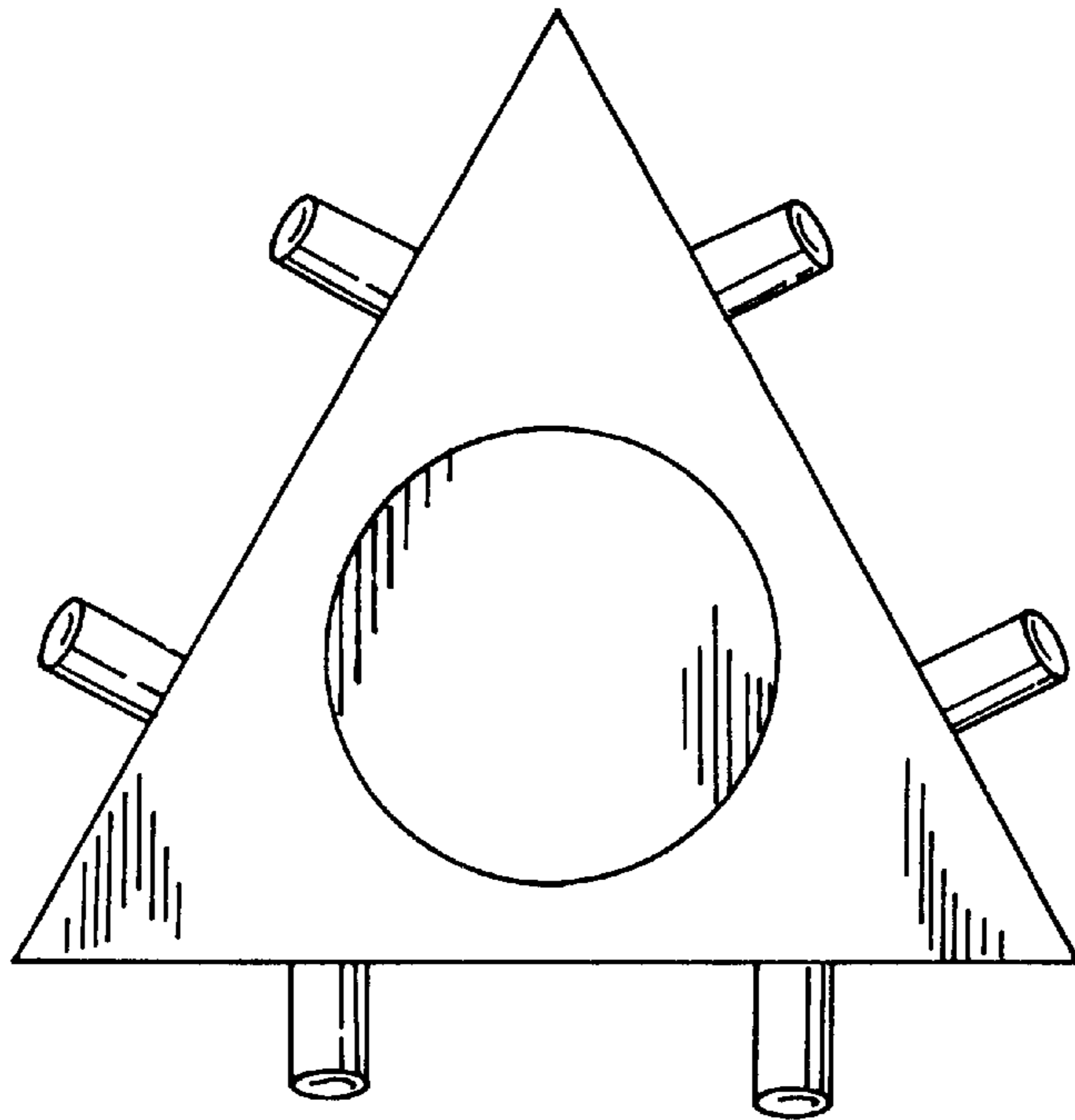


FIG. 2

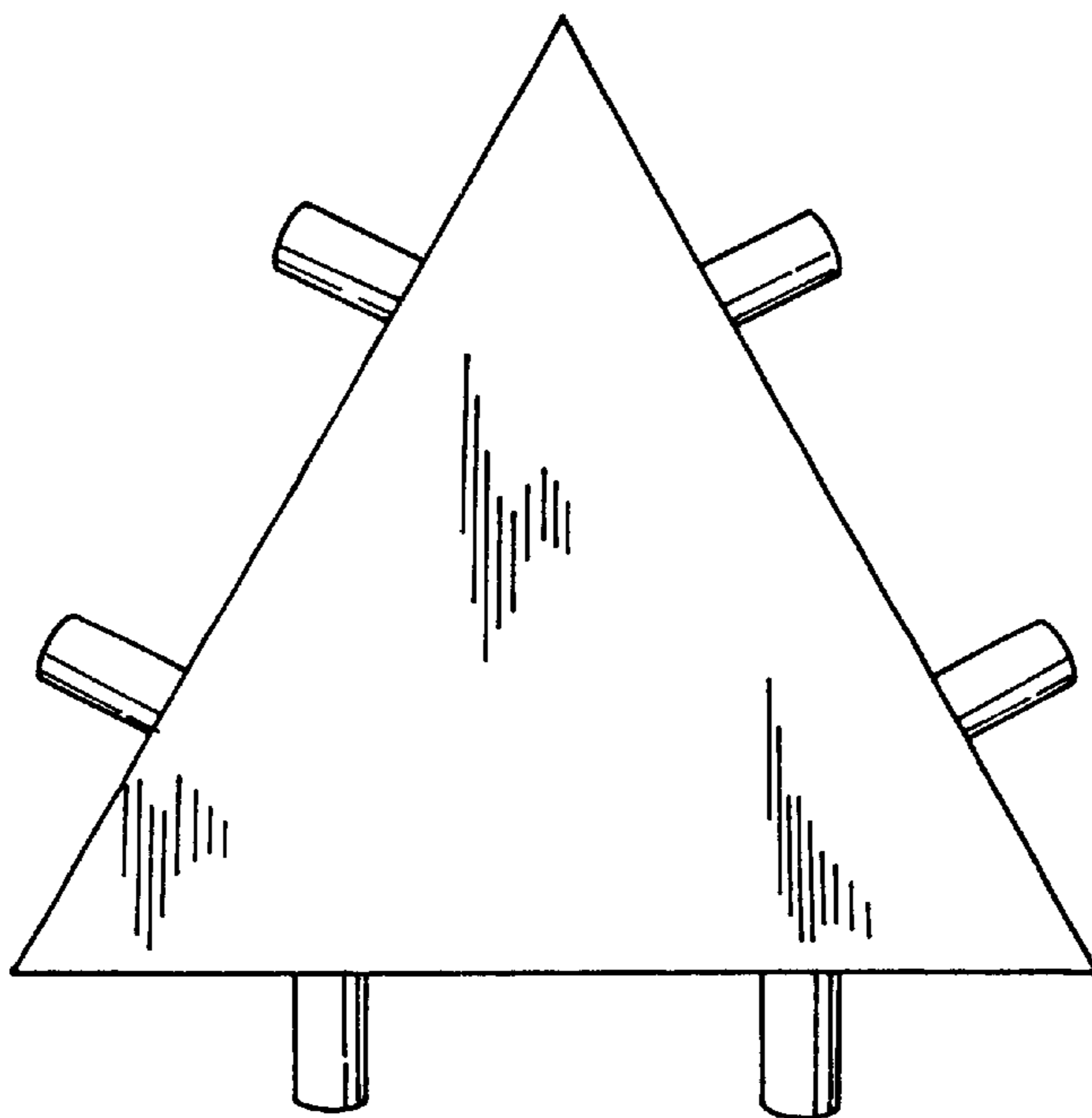


FIG. 3

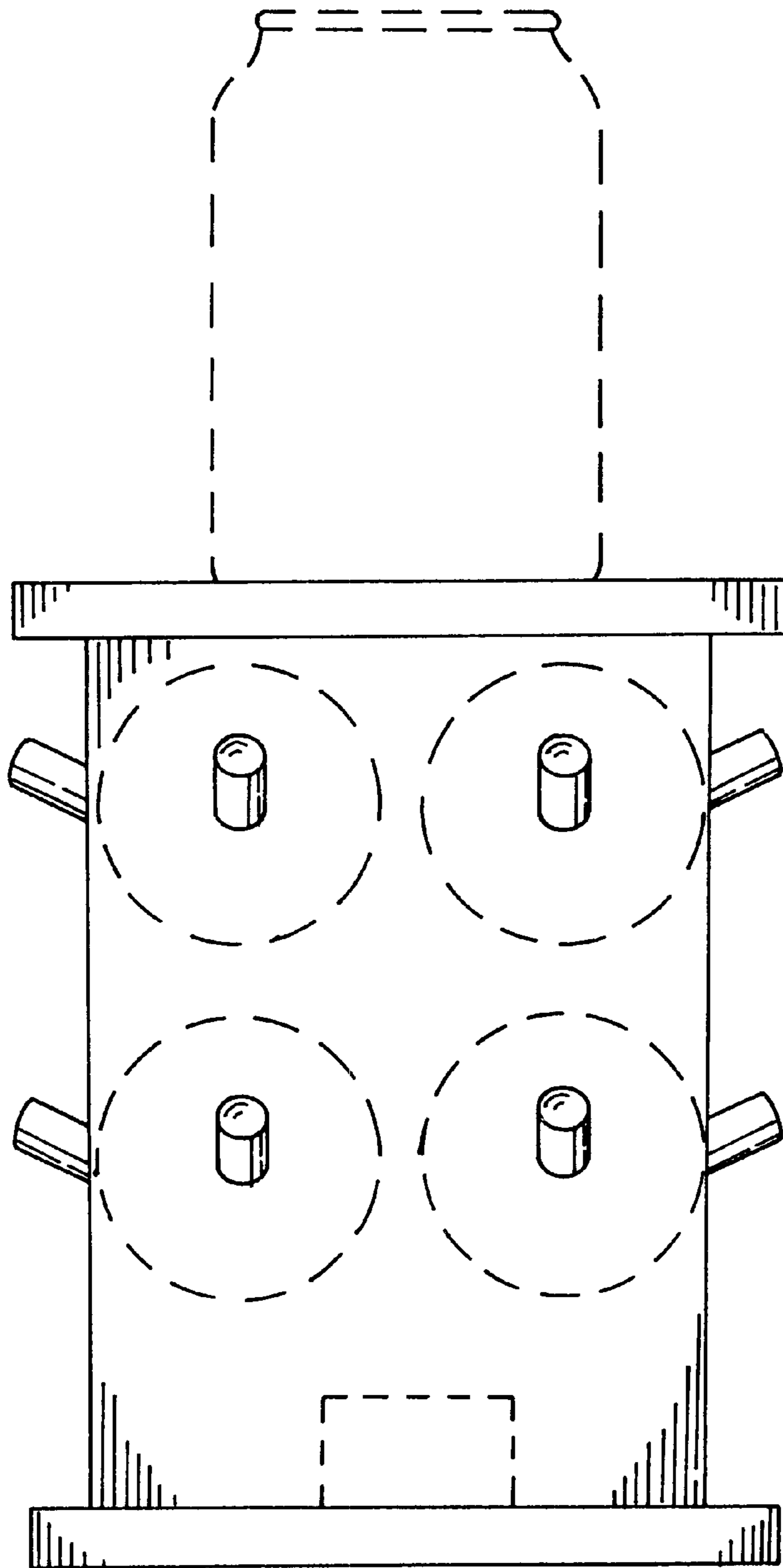


FIG. 4