



US00D456635S

(12) **United States Design Patent**
Porsbo et al.

(10) **Patent No.:** **US D456,635 S**
(45) **Date of Patent:** **** May 7, 2002**

(54) **DEMONSTRATION AND EXHIBITION
STAND FOR A WINDOW PRODUCT AND
MARKETING MATERIALS**

DESCRIPTION

(75) Inventors: **Christian Porsbo**, Copenhagen (DK);
Jean-Paul Leininger, St. Mande (FR)

(73) Assignee: **VKR Holding A/S**, Søborg (DK)

(**) Term: **14 Years**

(21) Appl. No.: **29/129,872**

(22) Filed: **Sep. 25, 2000**

(30) **Foreign Application Priority Data**

Mar. 24, 2000 (DK) MA 2000 00336

(51) **LOC (7) Cl.** **06-04**

(52) **U.S. Cl.** **D6/449**

(58) **Field of Search** D6/396, 409, 410,
D6/449; 211/45, 47, 195, 201

(56) **References Cited**

U.S. PATENT DOCUMENTS

D185,342 S	*	6/1959	Best	D6/449
D185,528 S	*	6/1959	Best	D6/449
D194,381 S	*	1/1963	Chenot	D6/409
D238,029 S	*	12/1975	Howard	D6/409
D360,764 S	*	8/1995	Collins	D6/396
D360,779 S	*	8/1995	Allekotte et al.	D6/449

* cited by examiner

Primary Examiner—Cathron C. Brooks

(74) *Attorney, Agent, or Firm*—Venable; John P. Shannon;
Chad C. Anderson

(57) **CLAIM**

The ornamental design for demonstration and exhibition stand for a window product and marketing materials, as shown and described.

FIG. 1 is a perspective view taken from the front, top and left sides of a first embodiment of the demonstration and exhibition stand showing our design;

FIG. 2 is a perspective view taken from the rear, top and right sides of the embodiment of FIG. 1;

FIG. 3 is a front elevation of the embodiment of FIG. 1;

FIG. 4 is a right side elevation of the embodiment of FIG. 1; and

FIG. 5 is a top plan view of the embodiment of FIG. 1.

The rear elevation of the embodiment of FIG. 1 is identical to the front elevation.

FIG. 6 is a perspective view taken from the front, top and left sides of a second embodiment of the demonstration and exhibition stand showing our design;

FIG. 7 is a perspective view taken from the rear, top and right sides of the embodiment of FIG. 6;

FIG. 8 is a front elevation of the embodiment of FIG. 6;

FIG. 9 is a right side elevation of the embodiment of FIG. 6; and

FIG. 10 is a top plan view of the embodiment of FIG. 6.

The rear elevation of the embodiment of FIG. 6 is identical to the front elevation.

FIG. 11 is a perspective view taken from the front, top and left sides of a third embodiment of the demonstration and exhibition stand showing our design;

FIG. 12 is a perspective view taken from the rear, top and right sides of the embodiment of FIG. 11;

FIG. 13 is a front elevation of the embodiment of FIG. 11;

FIG. 14 is a right side elevation of the embodiment of FIG. 11; and,

FIG. 15 is a top plan view of the embodiment of FIG. 11.

The rear elevation of the embodiment of FIG. 11 is identical to the front elevation.

In FIGS. 1–15, the demonstration and exhibition stand is formed as a rectangular section of a sloping roof wall and an adjoining approximately vertical interior wall member. In the roof wall section, a rectangular opening is provided for fitting of a window product to be demonstrated or exhibited. The sloping roof wall is supported at one or both sides by a vertical post.

1 Claim, 3 Drawing Sheets

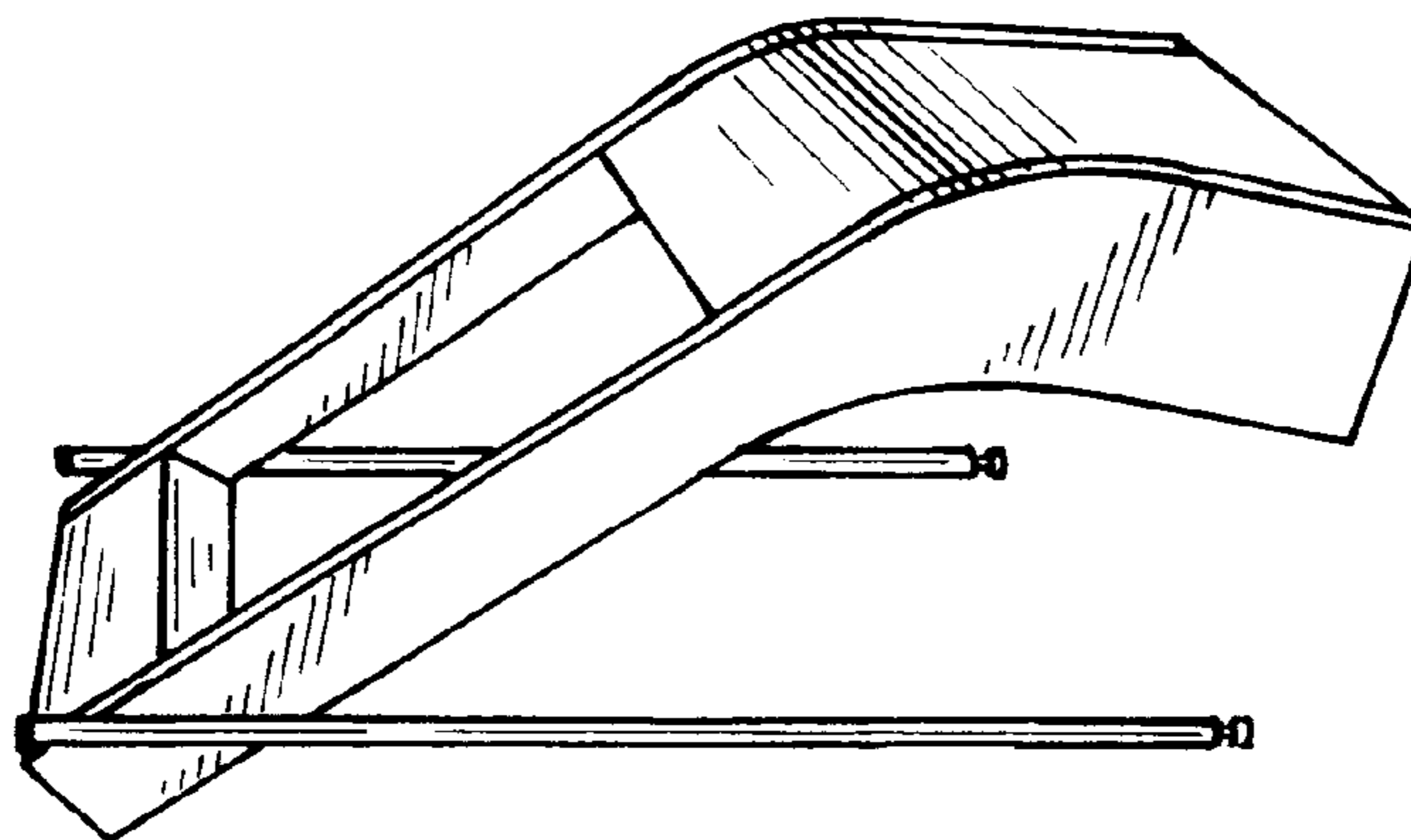


FIG. 1

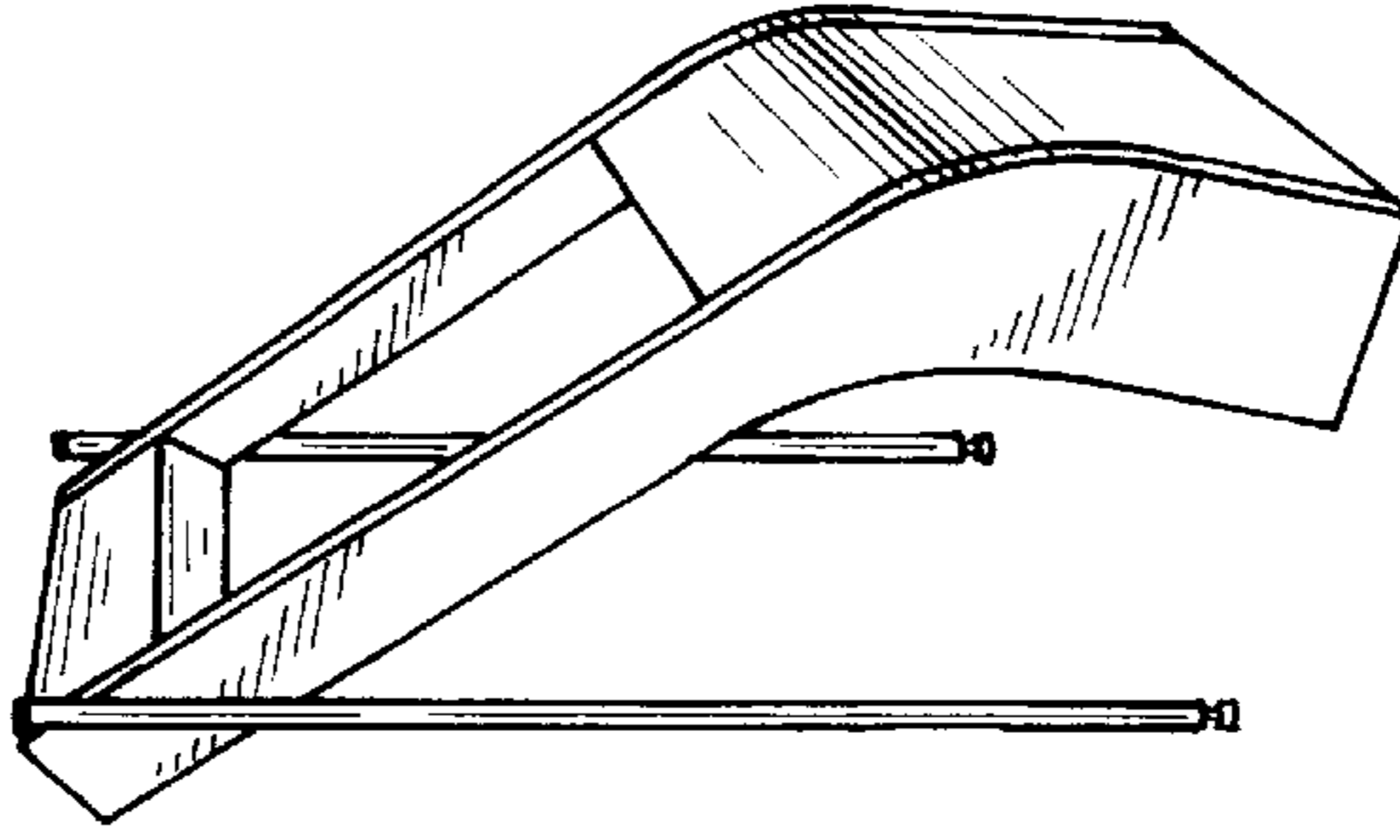


FIG. 2

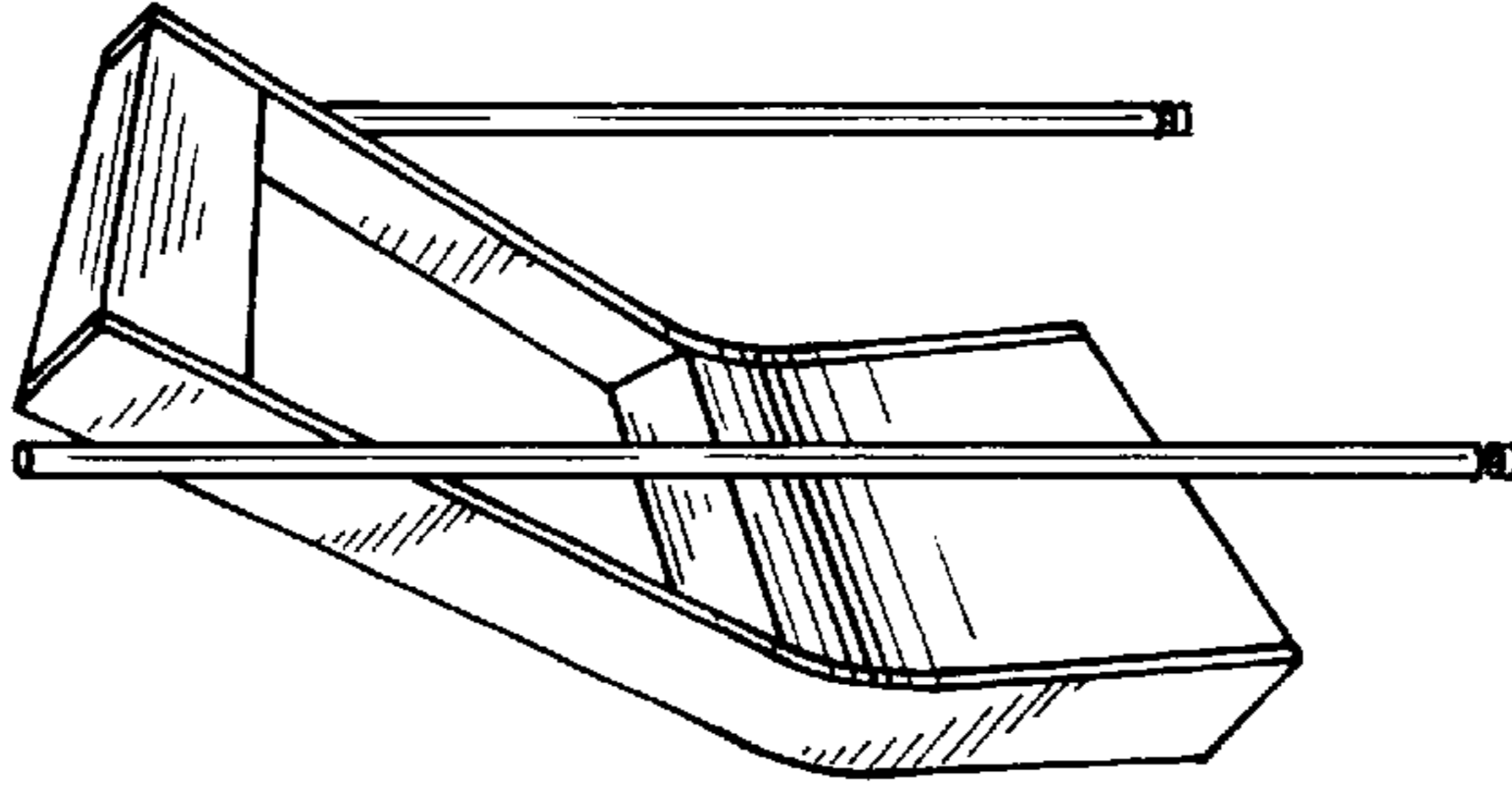


FIG. 3

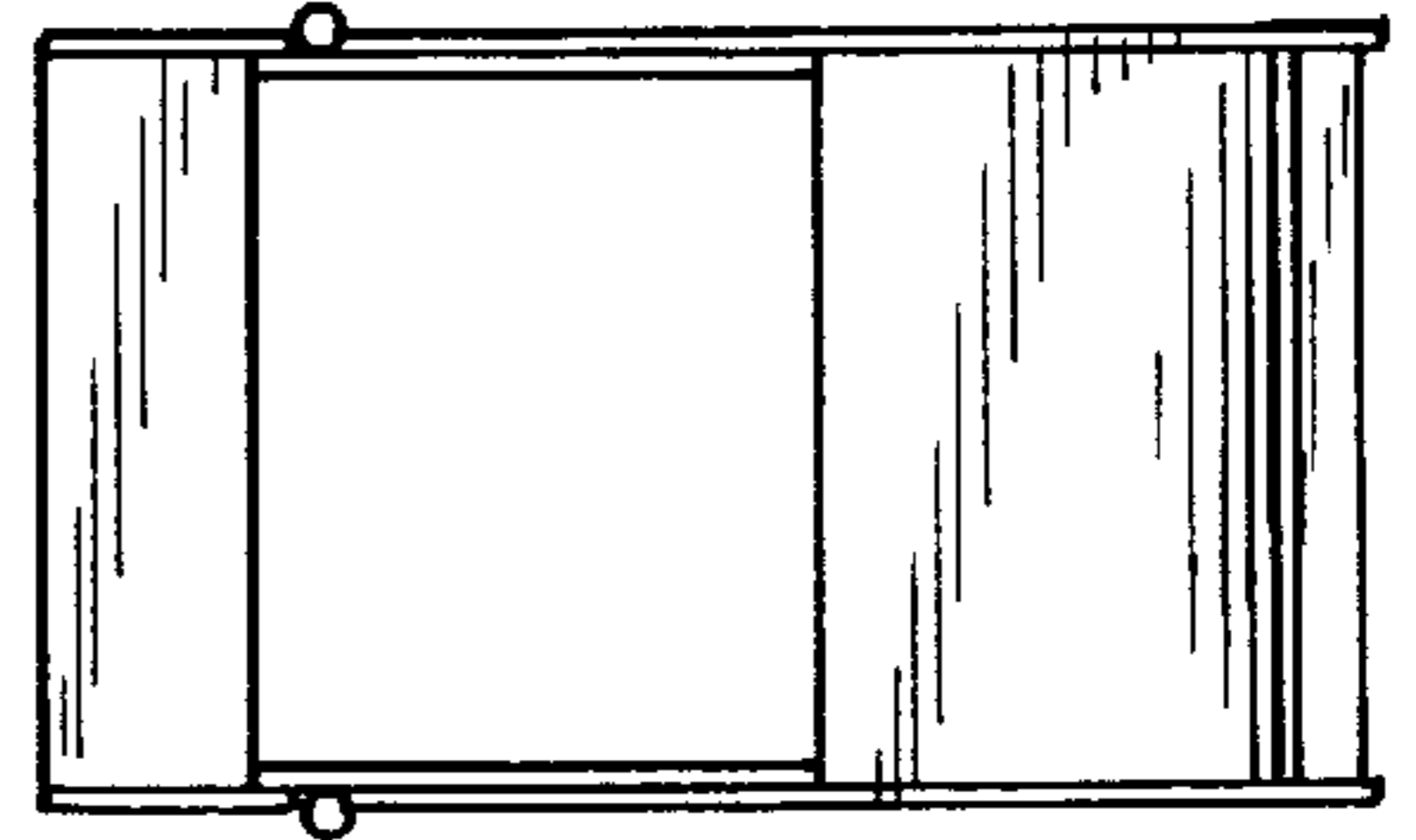
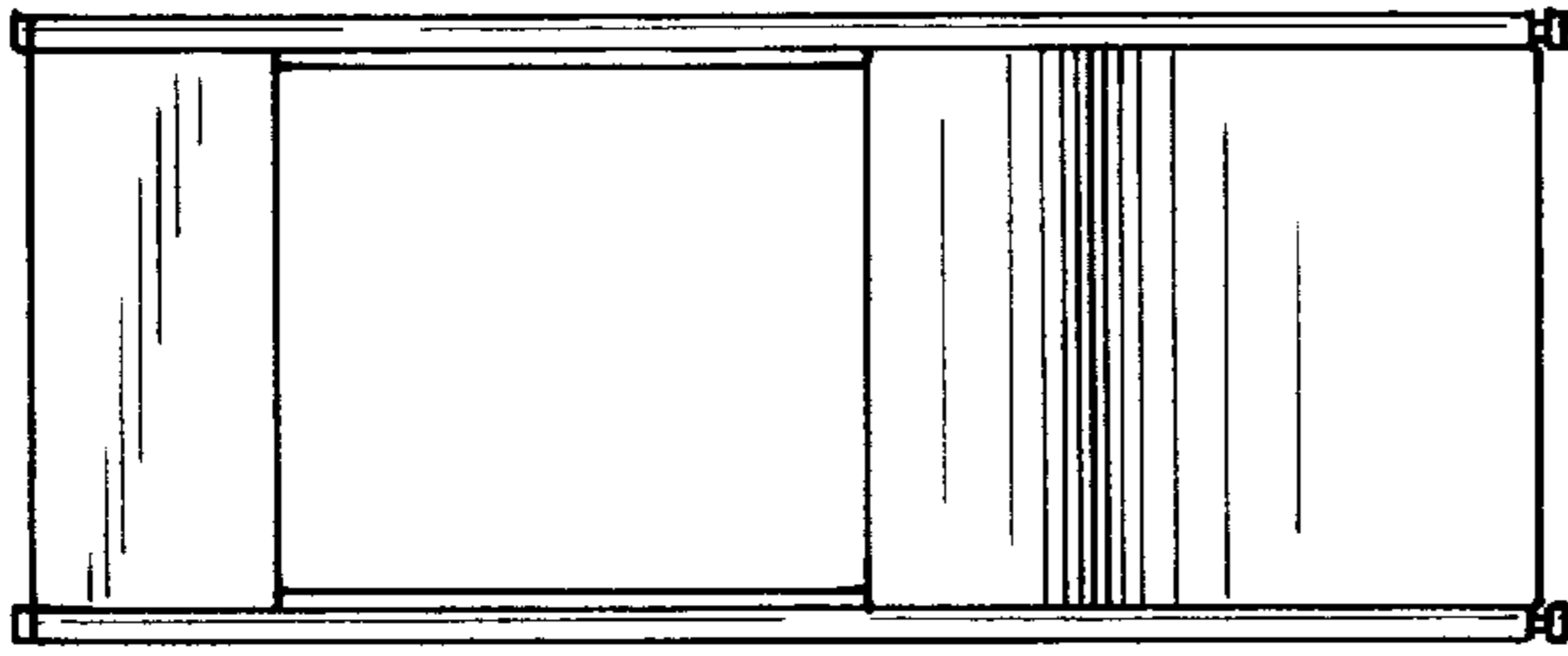


FIG. 4

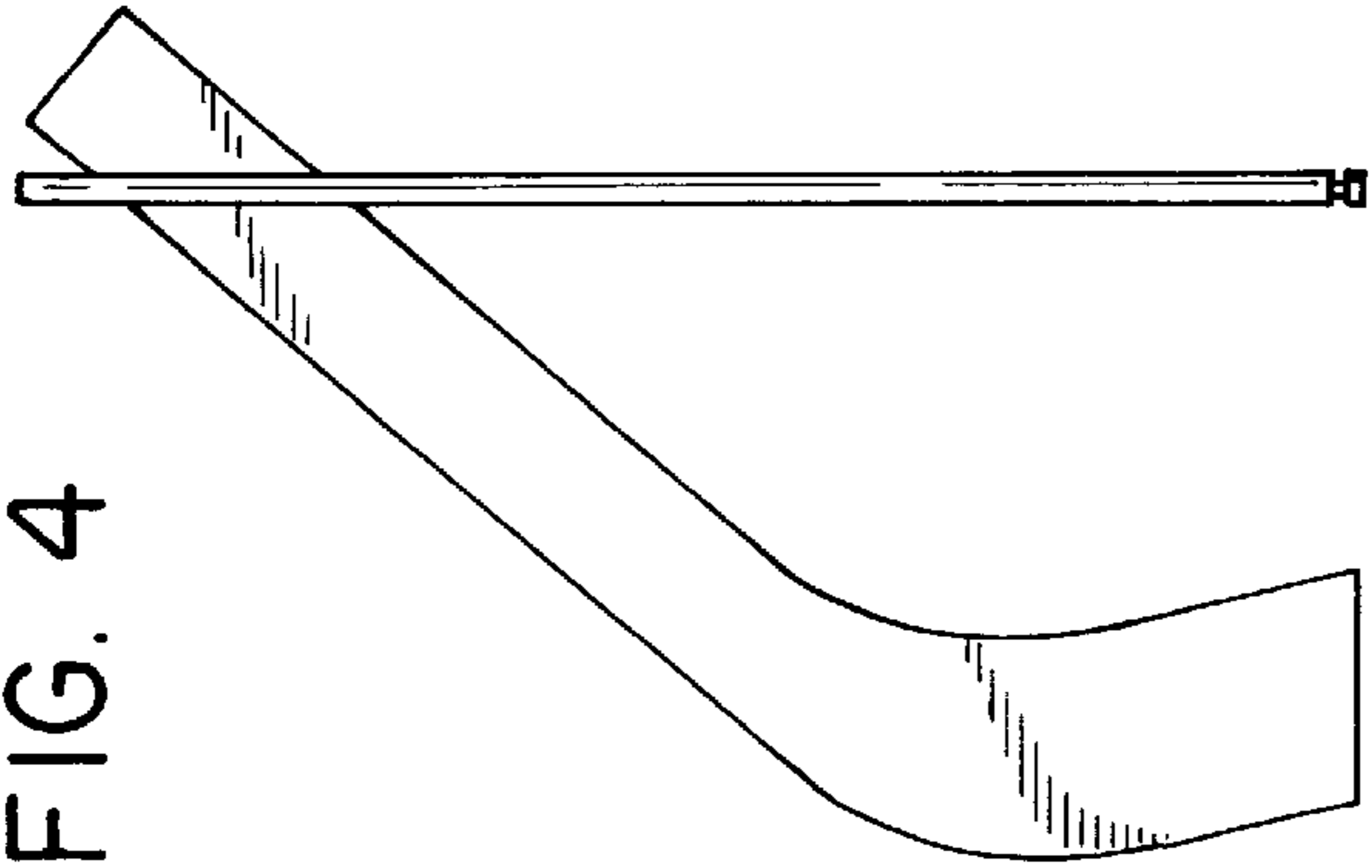


FIG. 5

FIG. 9

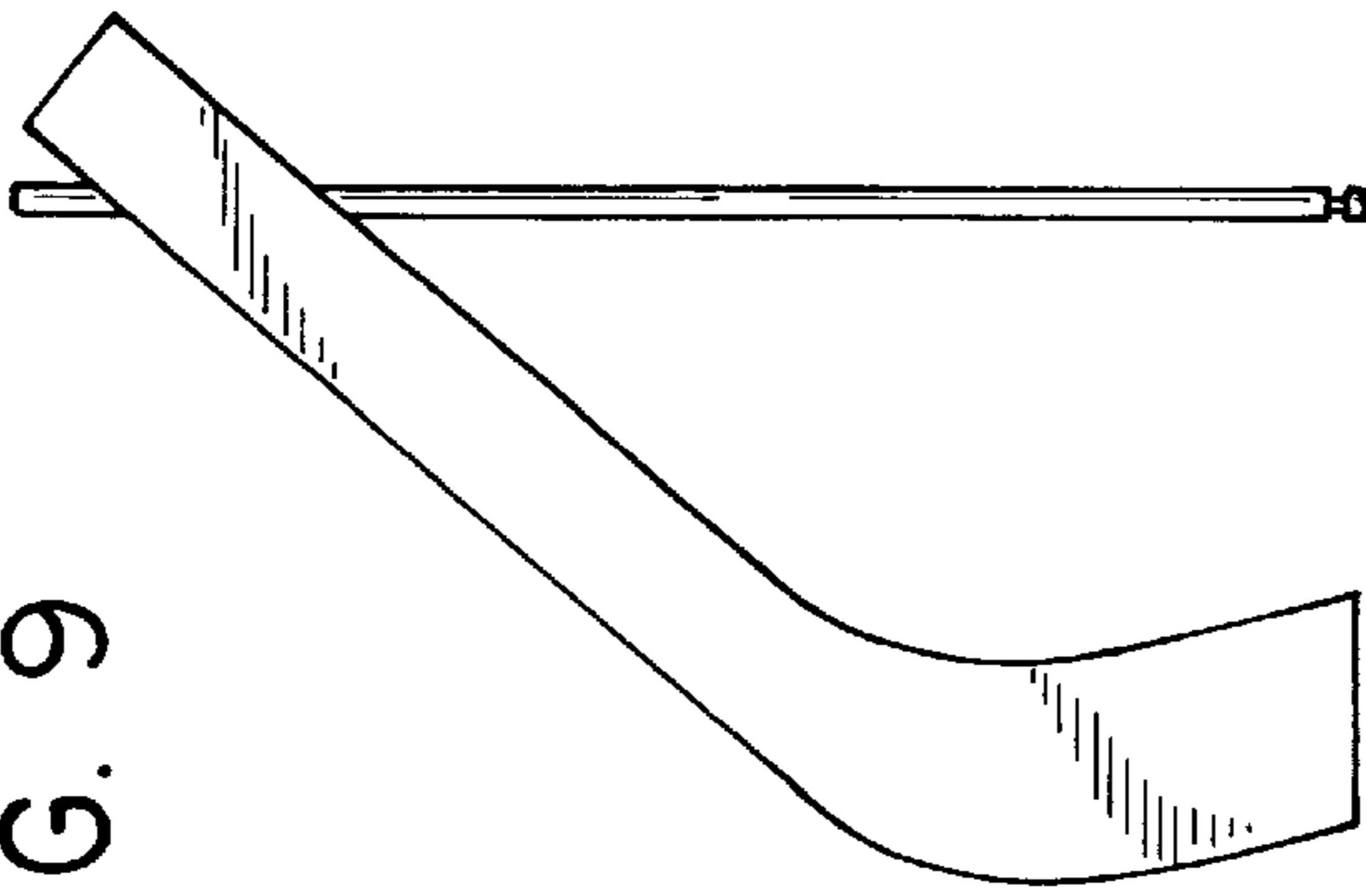


FIG. 8

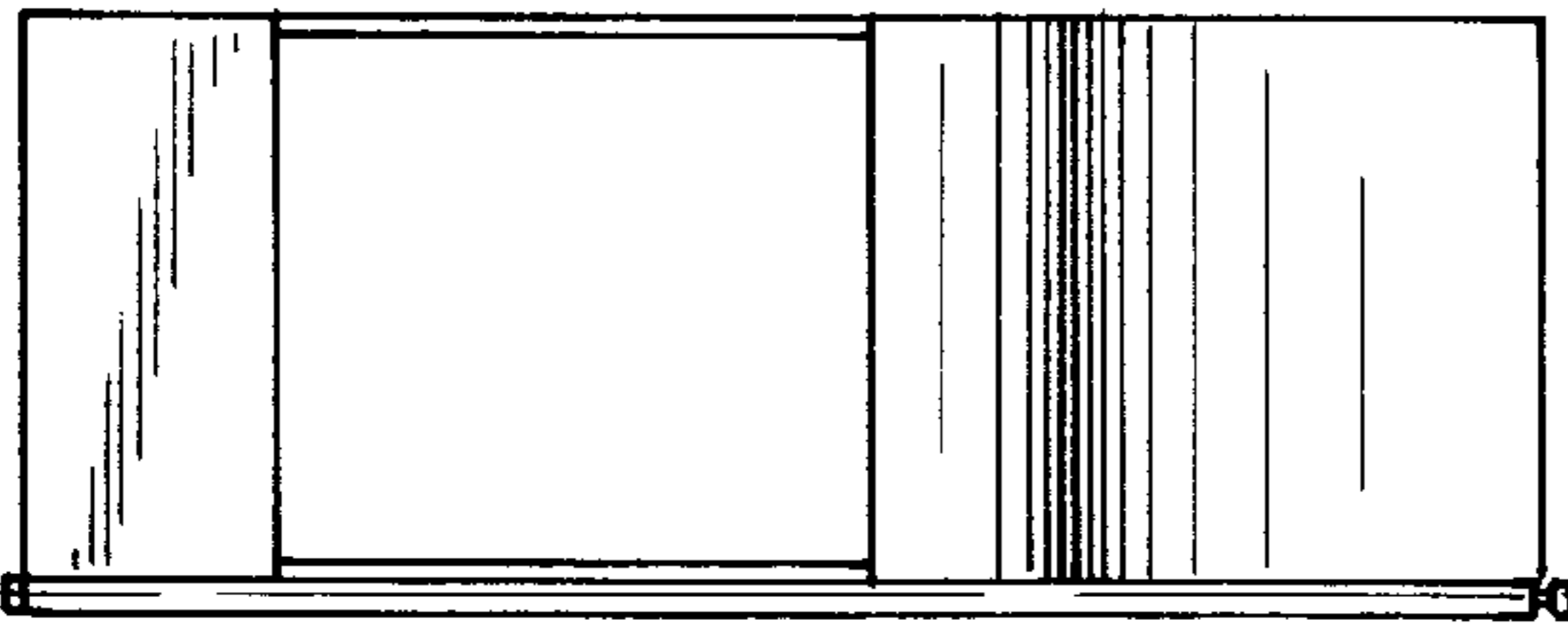


FIG. 7

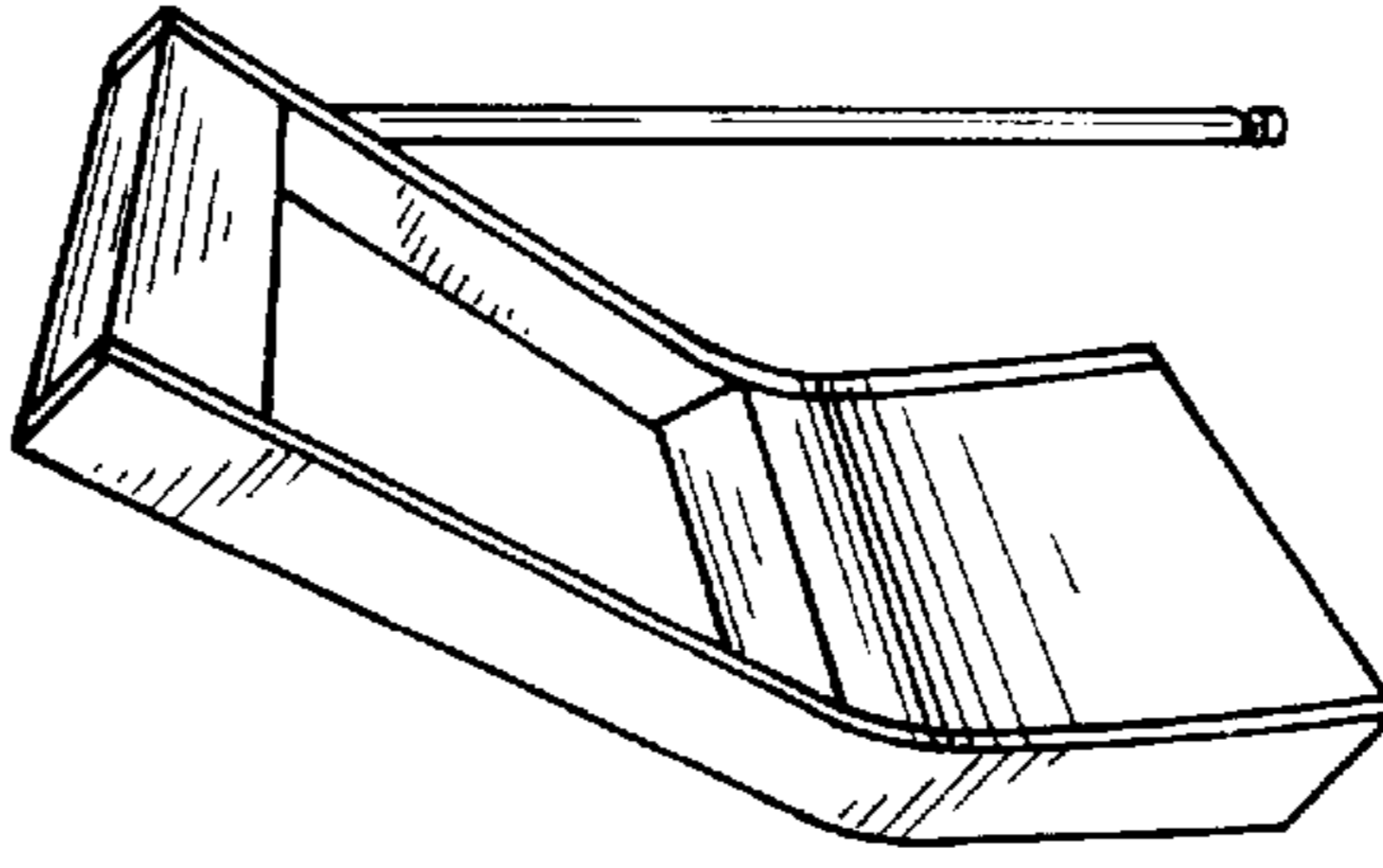


FIG. 6

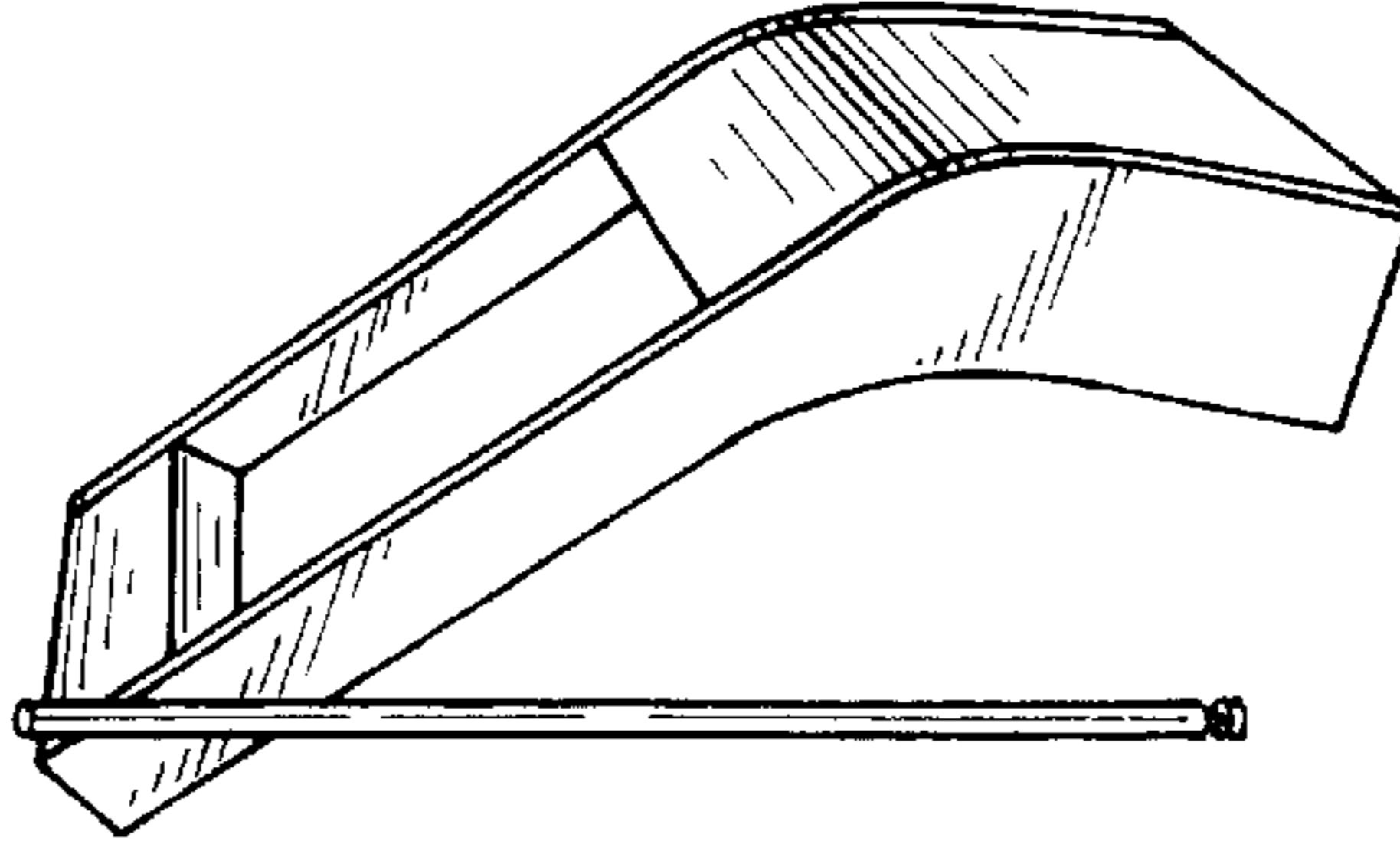


FIG. 10

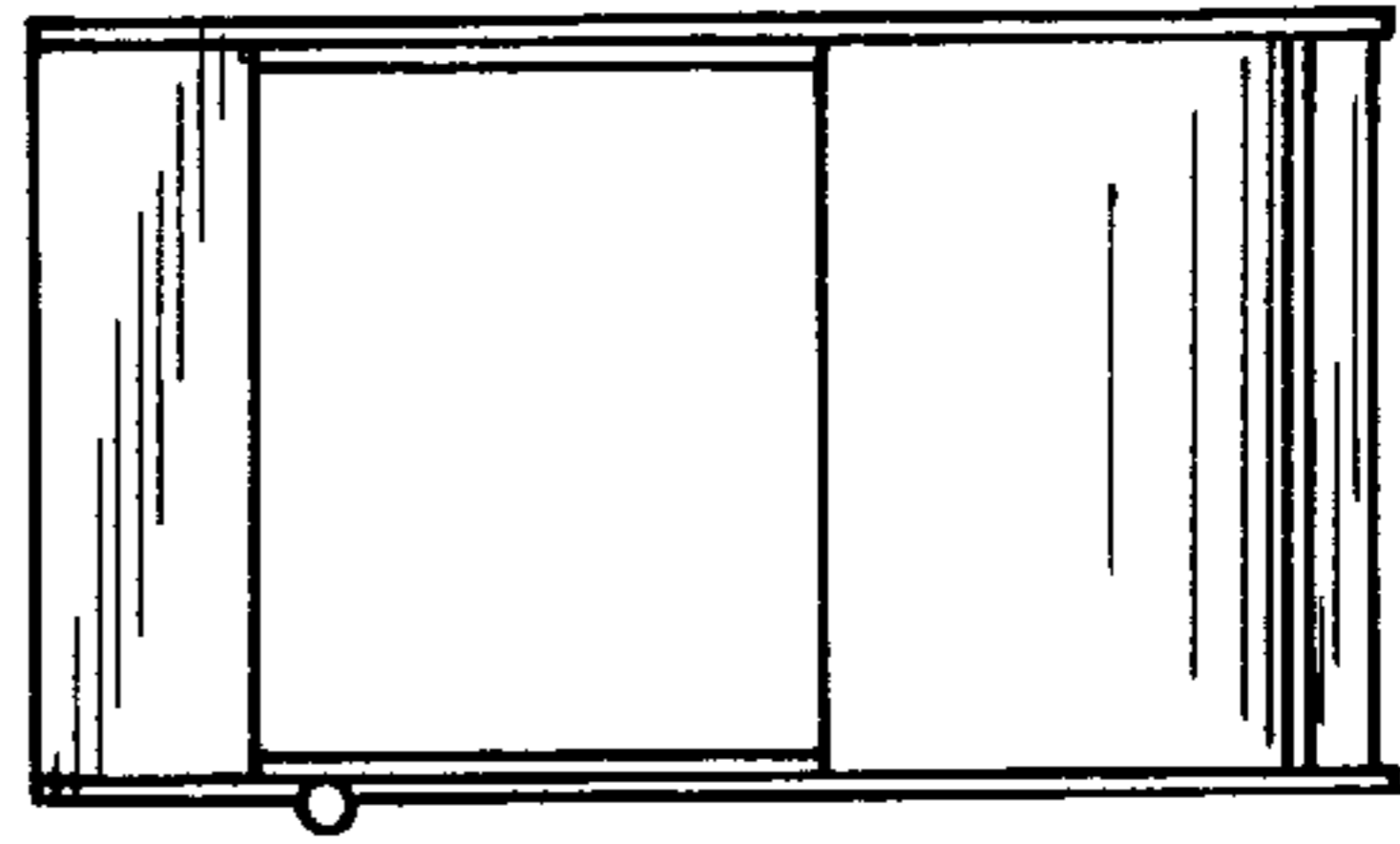


FIG. 14

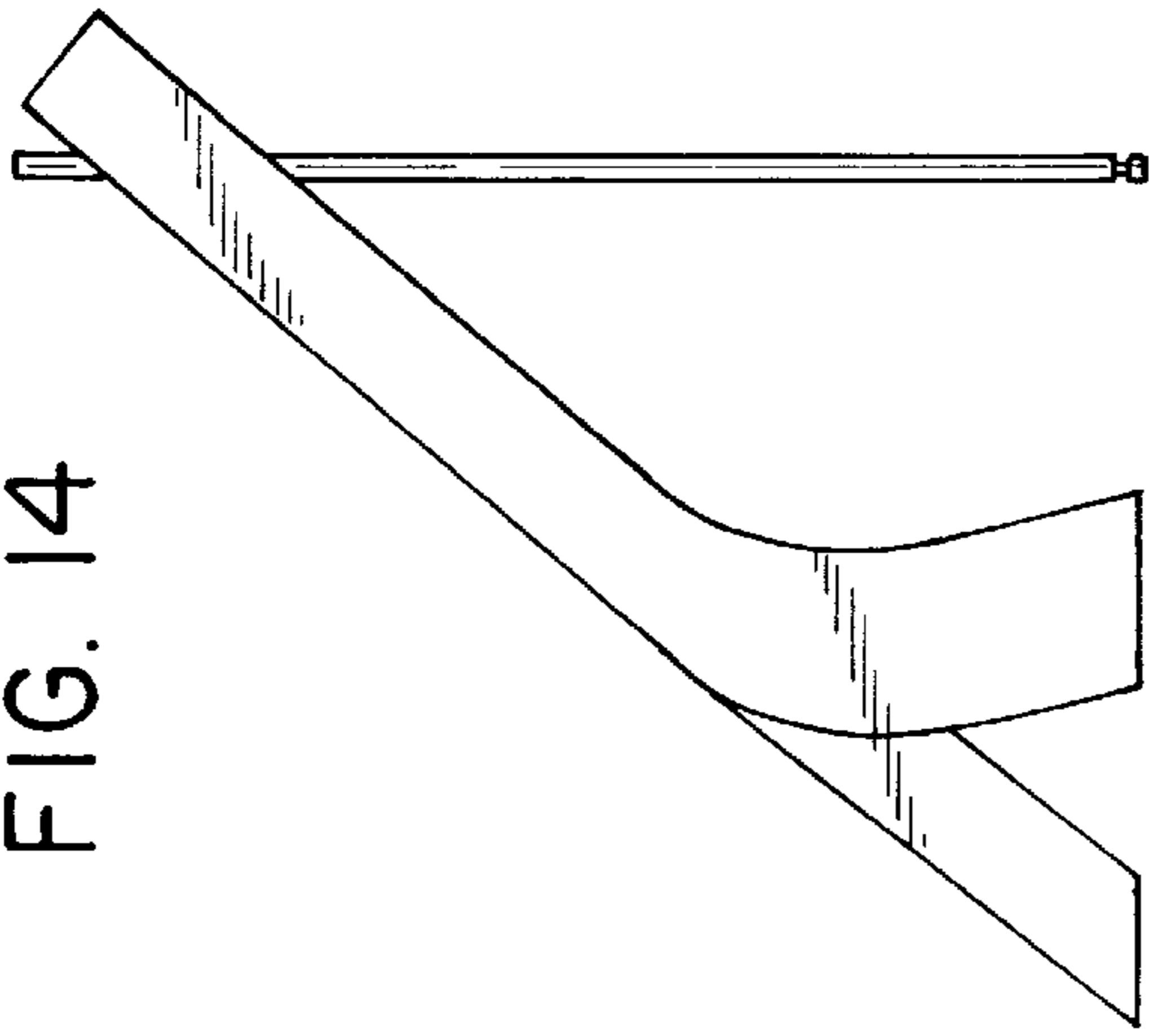


FIG. 13

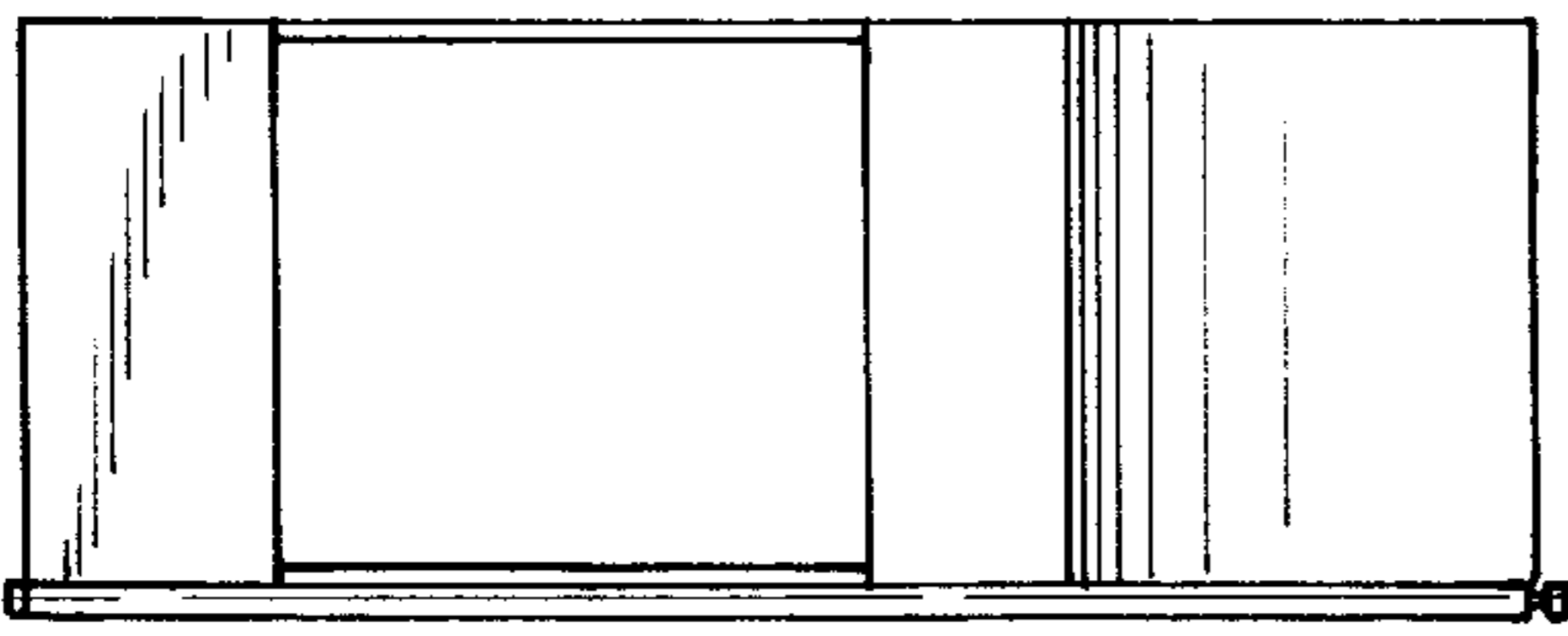


FIG. 12

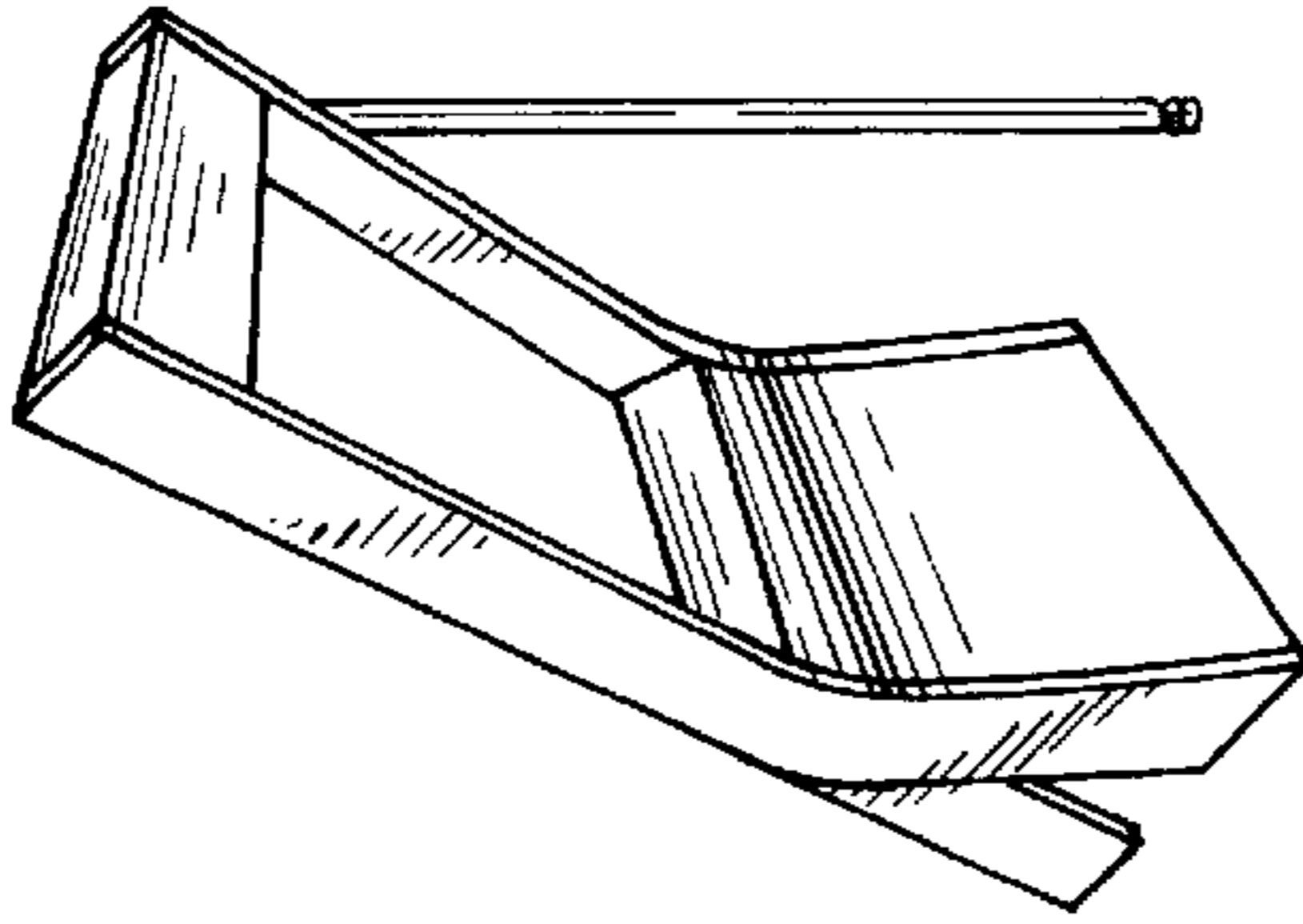


FIG. 11

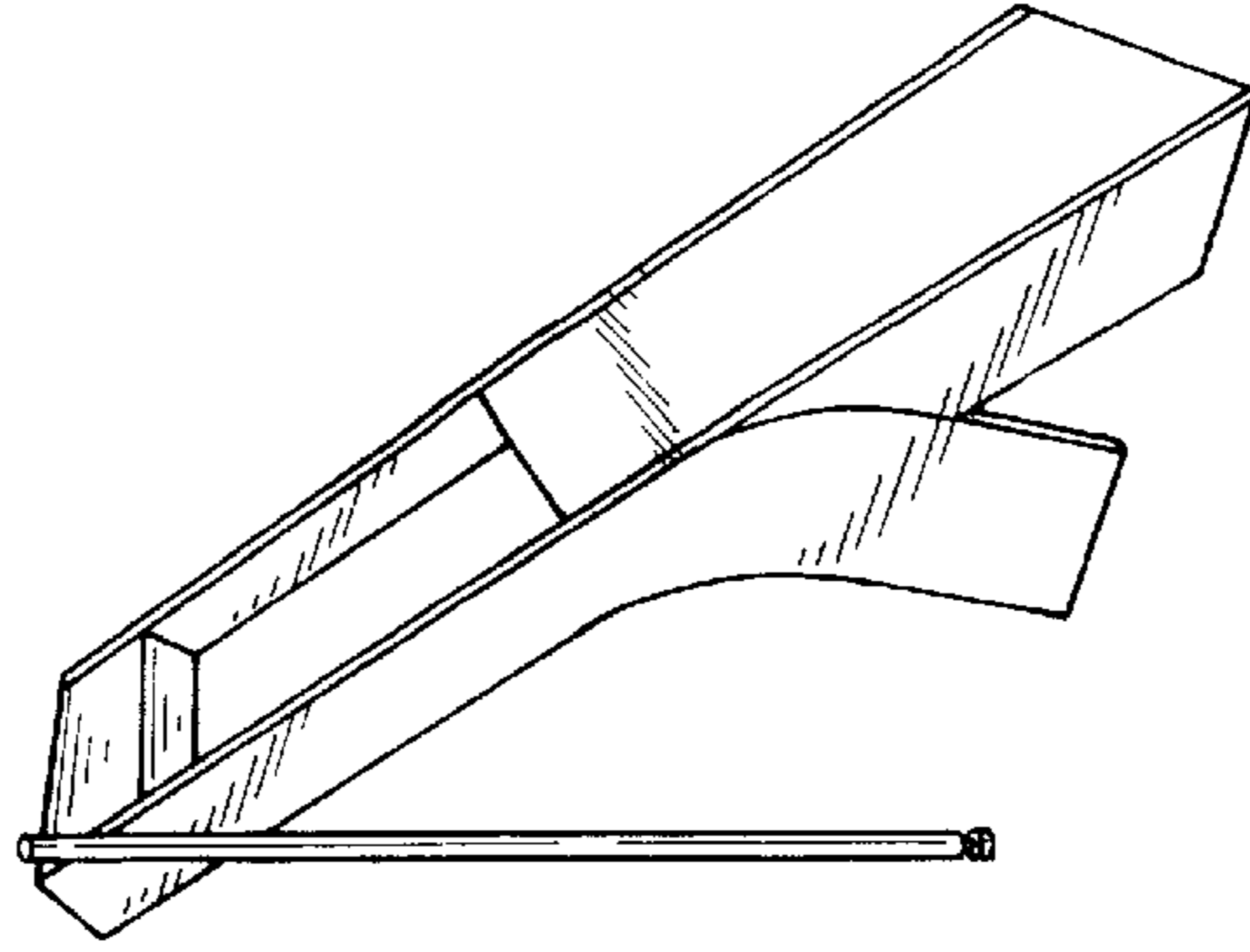


FIG. 15

