



US00D456632S

(12) **United States Design Patent**
Chang

(10) **Patent No.:** **US D456,632 S**

(45) **Date of Patent:** **** May 7, 2002**

(54) **COMPUTER OFFICE TABLE**

D449,470 S * 10/2001 Morrow D6/484

(76) Inventor: **Chien-Kuo Chang**, Fl. 10-2, No. 447,
Sec. 2, Wen-Hsin Rd., Taichung (TW)

* cited by examiner

(**) Term: **14 Years**

Primary Examiner—Janice E. Seeger

(74) *Attorney, Agent, or Firm*—Rosenberg, Klein & Lee

(21) Appl. No.: **29/145,950**

(57) **CLAIM**

(22) Filed: **Aug. 2, 2001**

The ornamental design for computer office table, as shown and described.

(51) **LOC (7) Cl.** **06-04**

DESCRIPTION

(52) **U.S. Cl.** **D6/425; D6/422**

(58) **Field of Search** D6/422–428, 484,
D6/465, 474, 477, 479; 312/194–196, 208.1,
239; 108/50.01, 50.02, 91, 92, 95

FIG. 1 is a perspective view of computer office table showing my new design;

FIG. 2 is a front elevational view thereof;

FIG. 3 is a rear elevational view thereof;

FIG. 4 is a left side elevational view thereof;

FIG. 5 is a right side elevational view thereof;

FIG. 6 is a top side elevational view thereof; and,

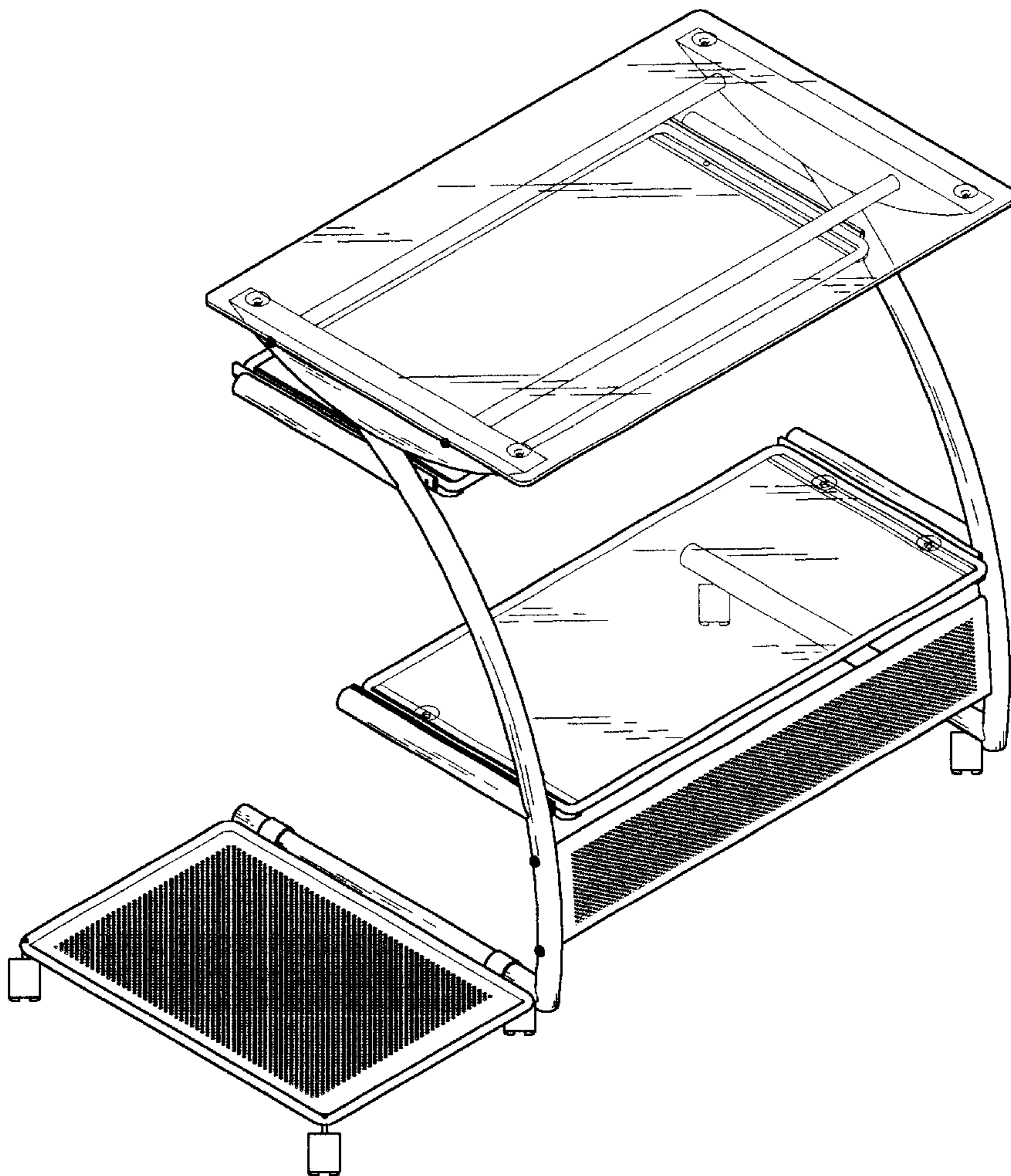
FIG. 7 is a bottom side elevational view thereof.

(56) **References Cited**

U.S. PATENT DOCUMENTS

| | | | | | |
|-------------|---|---------|---------|-------|---------|
| 5,088,420 A | * | 2/1992 | Russell | | 108/106 |
| D399,683 S | * | 10/1998 | Nicklas | | D6/484 |
| D443,154 S | * | 6/2001 | Wang | | D6/426 |
| D447,646 S | * | 9/2001 | Chang | | D6/426 |

1 Claim, 7 Drawing Sheets



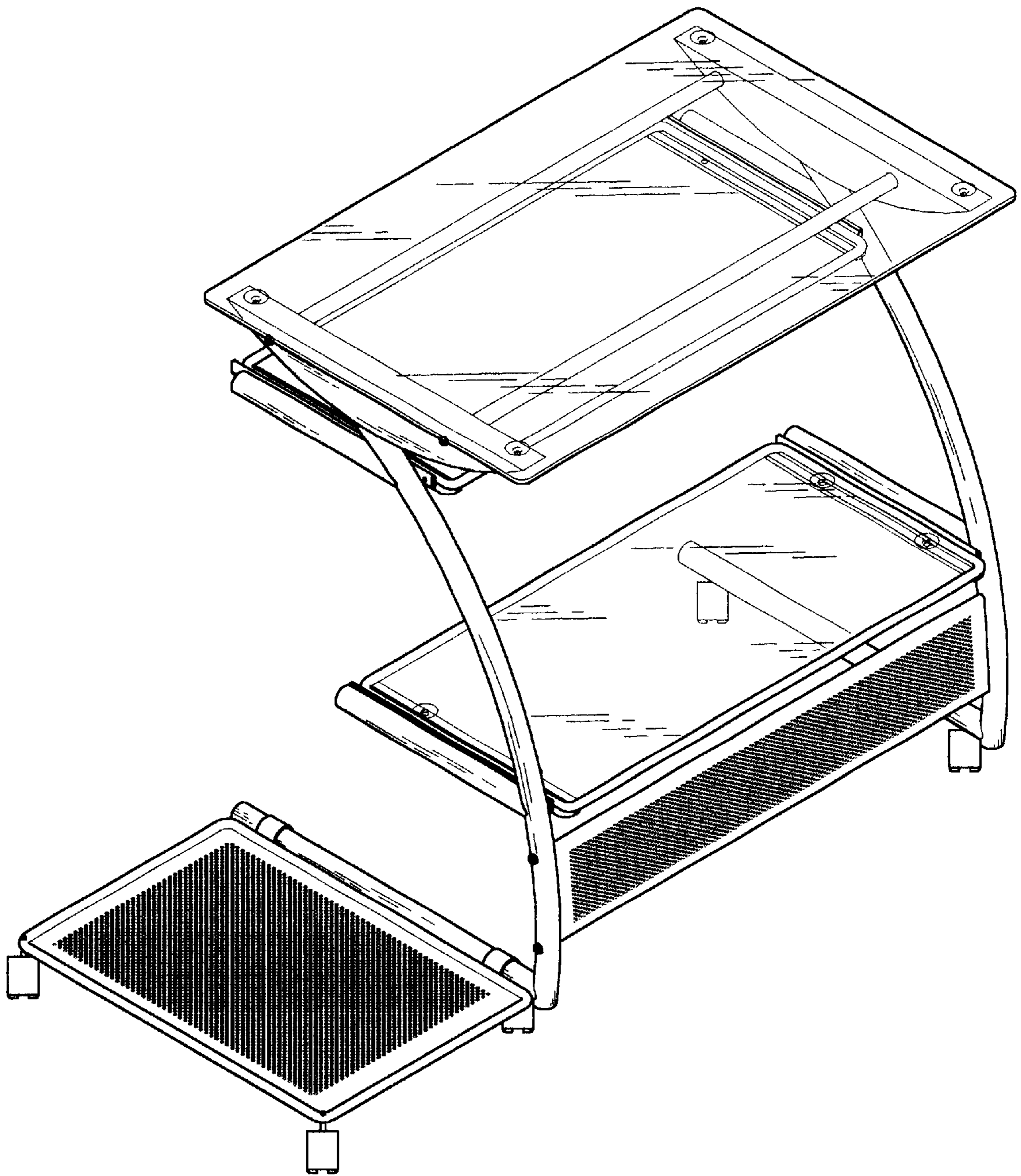


FIG. 1

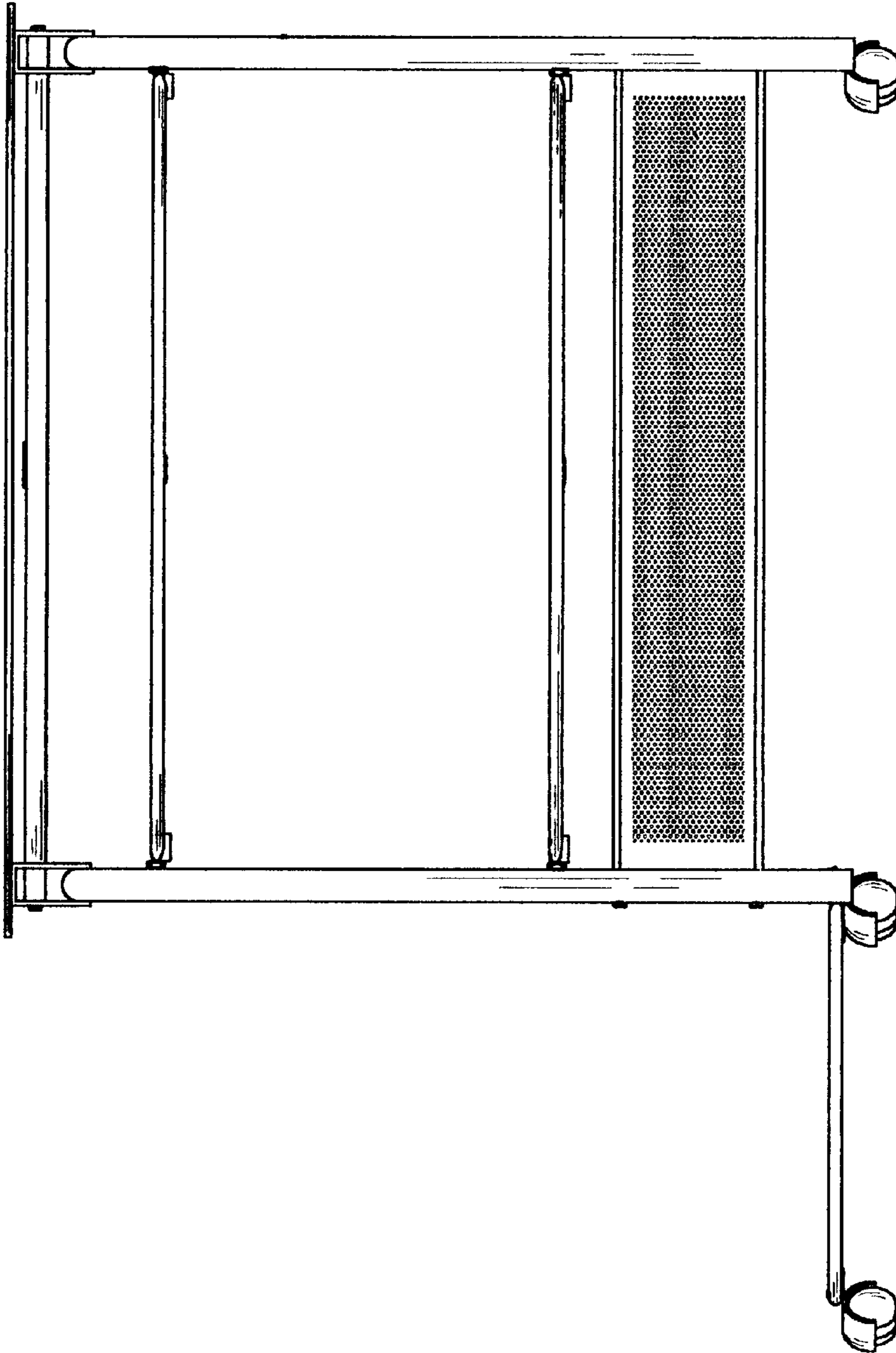


FIG. 2

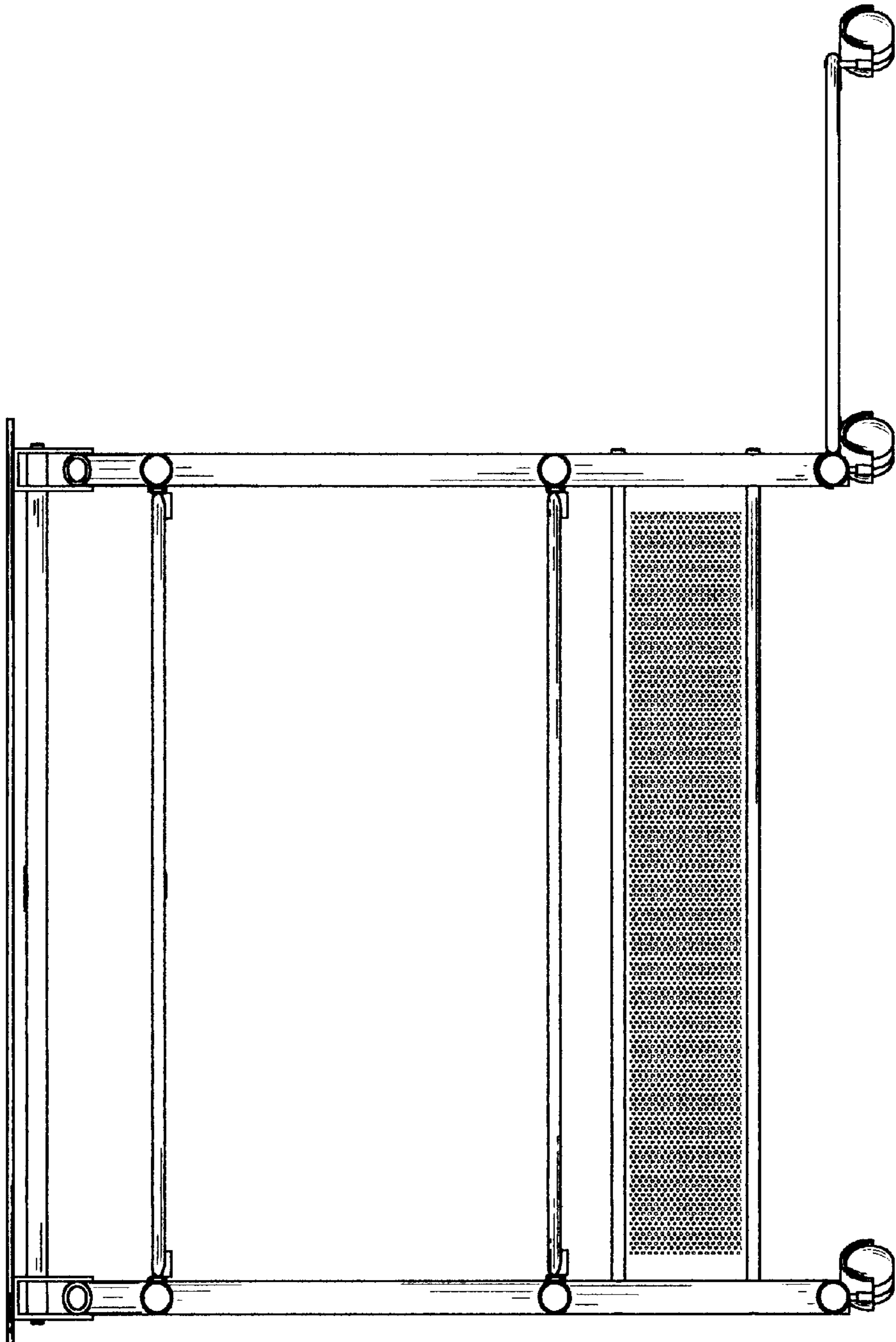


FIG. 3

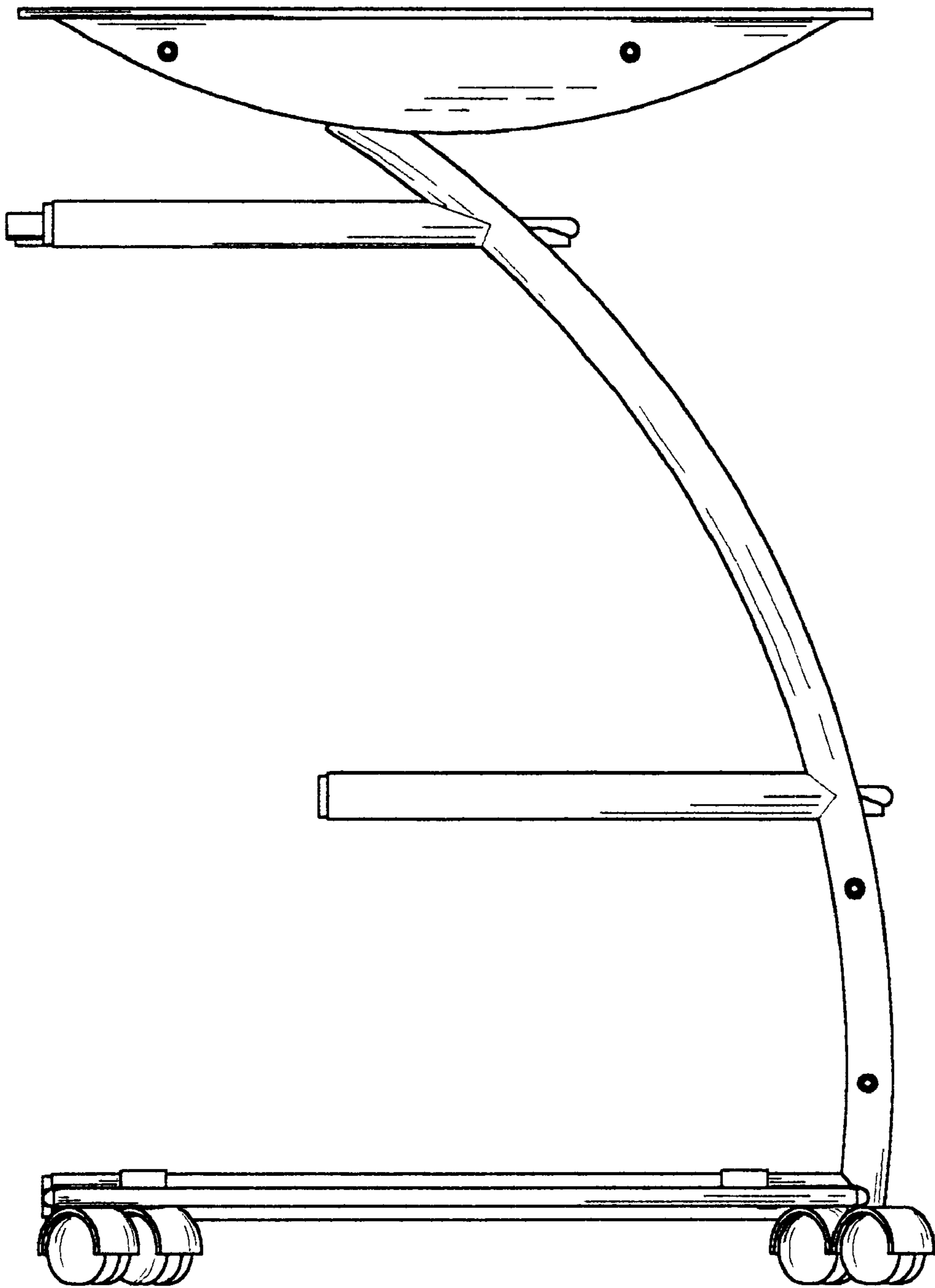


FIG. 4

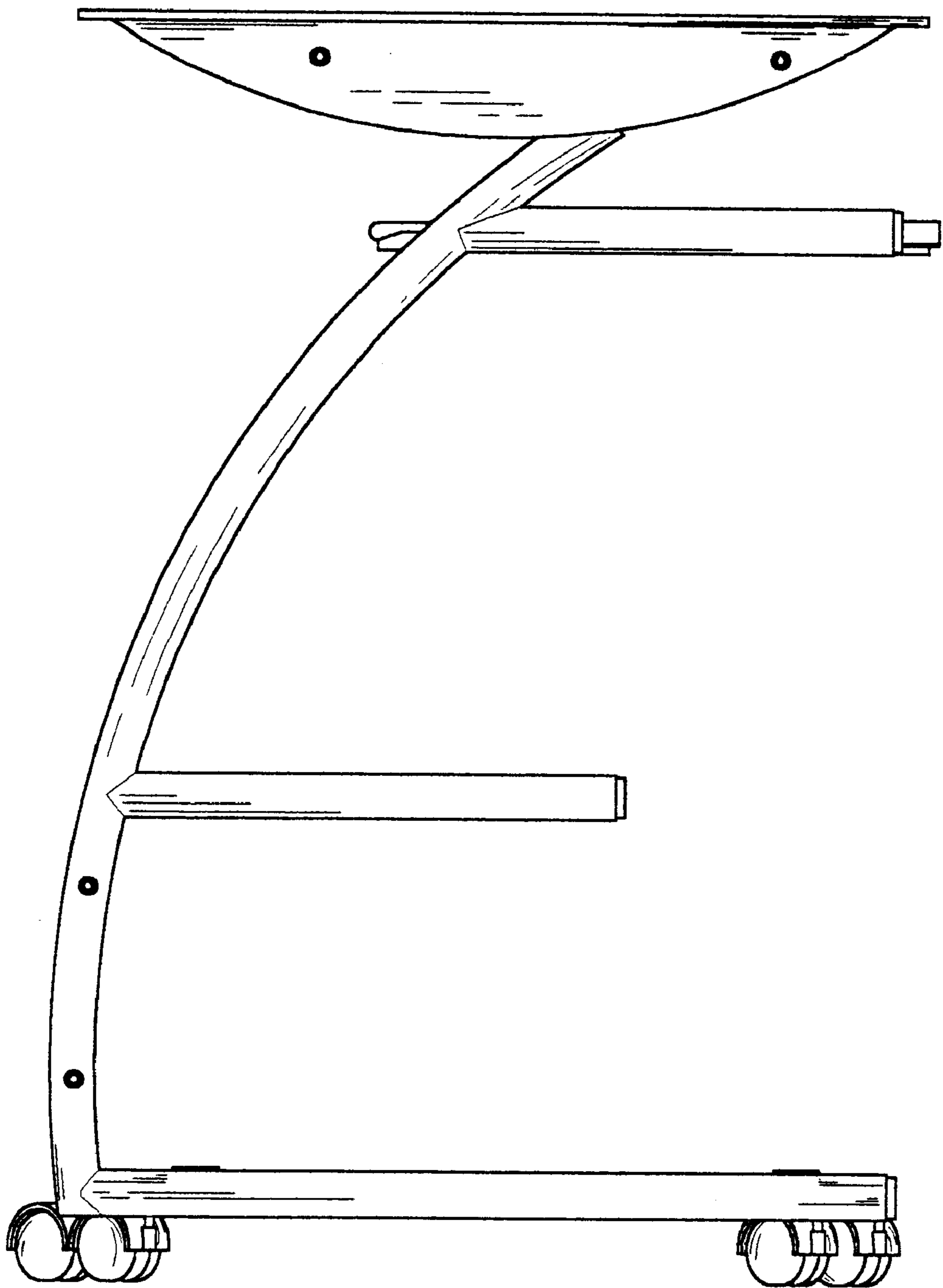


FIG. 5

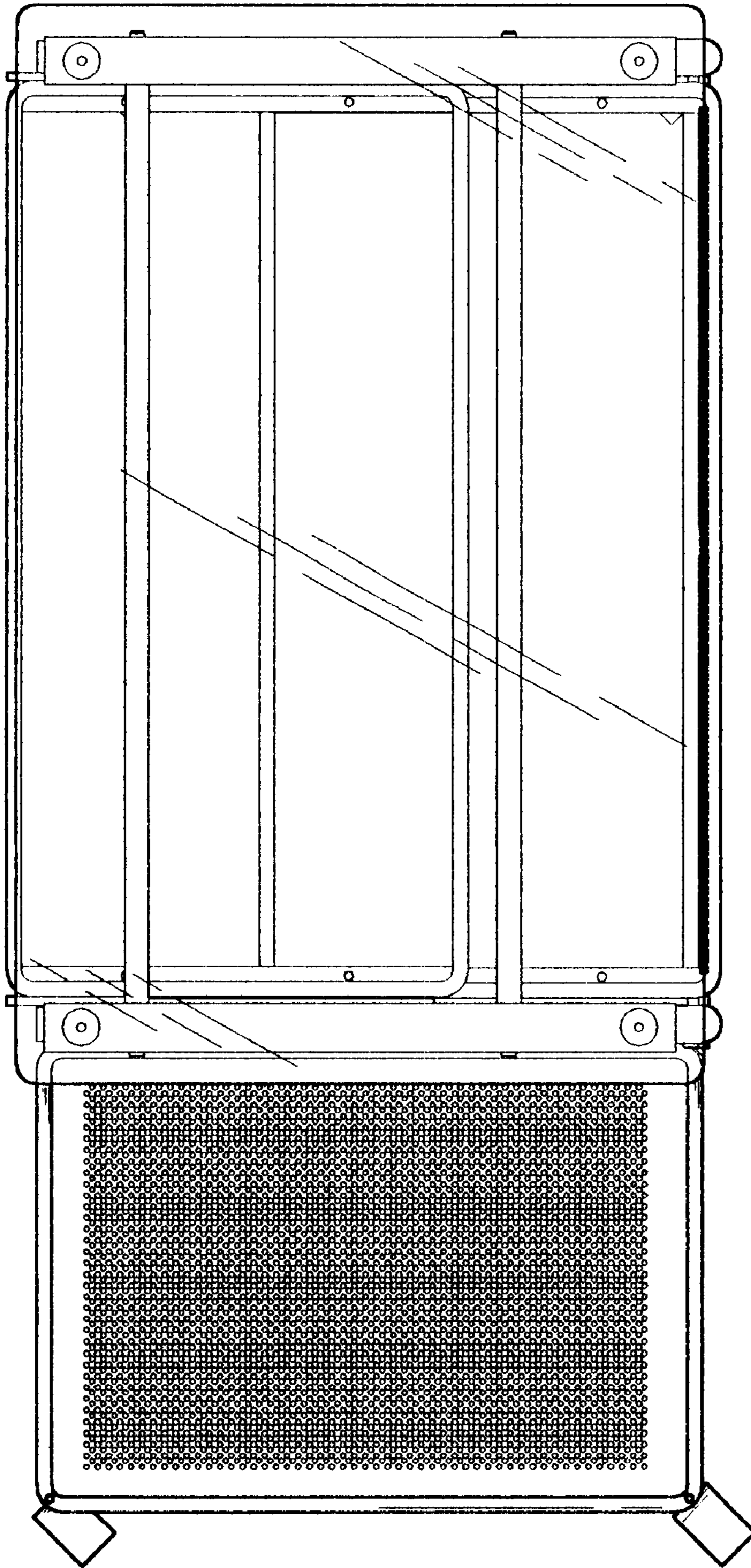


FIG. 6

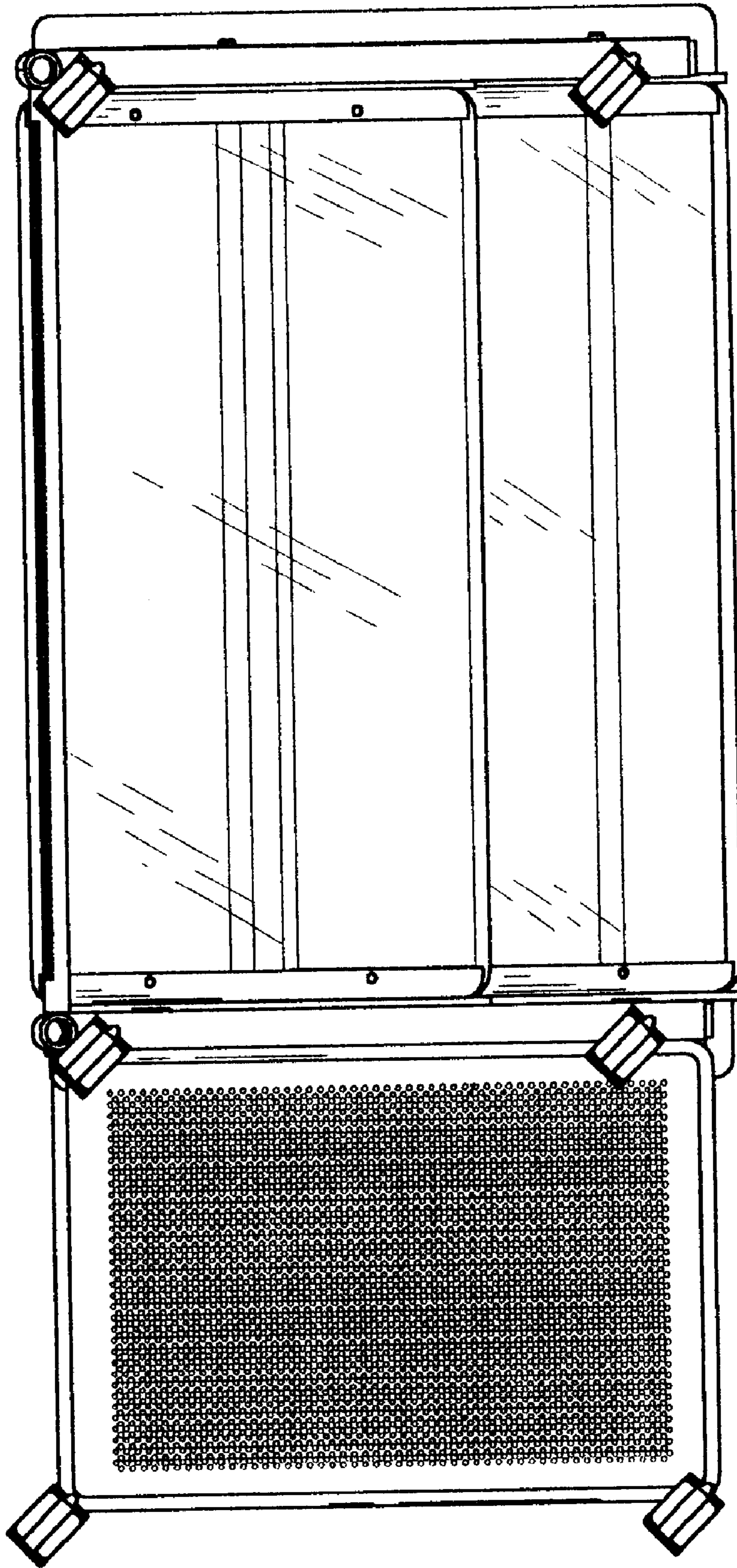


FIG. 7