



US00D456627S

(12) **United States Design Patent**
Pearce et al.

(10) **Patent No.:** **US D456,627 S**

(45) **Date of Patent:** **** May 7, 2002**

(54) **CHAIR**

(75) Inventors: **Peter J. Pearce**, Woodland Hills, CA (US); **Bruce M. Smith**, Grand Rapids; **Dale M. Groendal**, Jenison, both of MI (US)

(73) Assignee: **Steelcase Development Corporation**, Caledonia, MI (US)

(**) Term: **14 Years**

(21) Appl. No.: **29/149,338**

(22) Filed: **Oct. 9, 2001**

Related U.S. Application Data

(62) Division of application No. 29/144,860, filed on Jul. 11, 2001, which is a continuation of application No. 29/123,873, filed on May 25, 2000.

(51) **LOC (7) Cl.** **06-01**

(52) **U.S. Cl.** **D6/366**

(58) **Field of Search** D6/334, 364, 365, D6/366, 367, 500, 501, 502; 297/411.2, 411.29

(56) **References Cited**

U.S. PATENT DOCUMENTS

D59,222 S	10/1921	Headley
D175,994 S	11/1955	Wagner
D203,109 S	12/1965	Barecki et al.
D235,495 S	6/1975	Laylon
D273,350 S	4/1984	Caffiero
D274,675 S	7/1984	Diffrient
4,660,887 A	4/1987	Fleming et al.
D362,973 S	10/1995	Schultz
5,630,647 A	5/1997	Heidmann et al.
5,871,258 A	2/1999	Batley et al.
D410,799 S	6/1999	Meda
D411,928 S	7/1999	Ritch et al.
D414,349 S	9/1999	Jenkins et al.
D437,497 S	2/2001	Brauning

OTHER PUBLICATIONS

www.aluminumbydesign.org/pages/catalog_html/57.htm containing information on the Toledo Chair, dated Oct. 8, 2001.

Primary Examiner—Gary D. Watson

(74) *Attorney, Agent, or Firm*—Price Heneveld Cooper DeWitt & Litton

(57) **CLAIM**

The ornamental design for a chair, as shown and described.

DESCRIPTION

FIG. 1 is a perspective view of another chair construction embodying the present invention;

FIG. 2 is a front view of FIG. 1;

FIG. 3 is a right side view of FIG. 1, the left side being a mirror image of the right side;

FIG. 4 is a rear view of FIG. 1; and

FIG. 5 is a top view of FIG. 1.

FIG. 6 is a perspective view of another chair construction embodying the present invention;

FIG. 7 is a front view of FIG. 6;

FIG. 8 is a right side view of FIG. 6, the left side being a mirror image of the right side;

FIG. 9 is a rear view of FIG. 6; and

FIG. 10 is a top view of FIG. 6.

FIG. 11 is a perspective view of another chair construction embodying the present invention;

FIG. 12 is a front view of FIG. 11;

FIG. 13 is a right side view of FIG. 11, the left side being a mirror image of the right side;

FIG. 14 is a rear view of FIG. 11; and

FIG. 15 is a top view of FIG. 11.

FIG. 16 is a perspective view of another chair construction embodying the present invention;

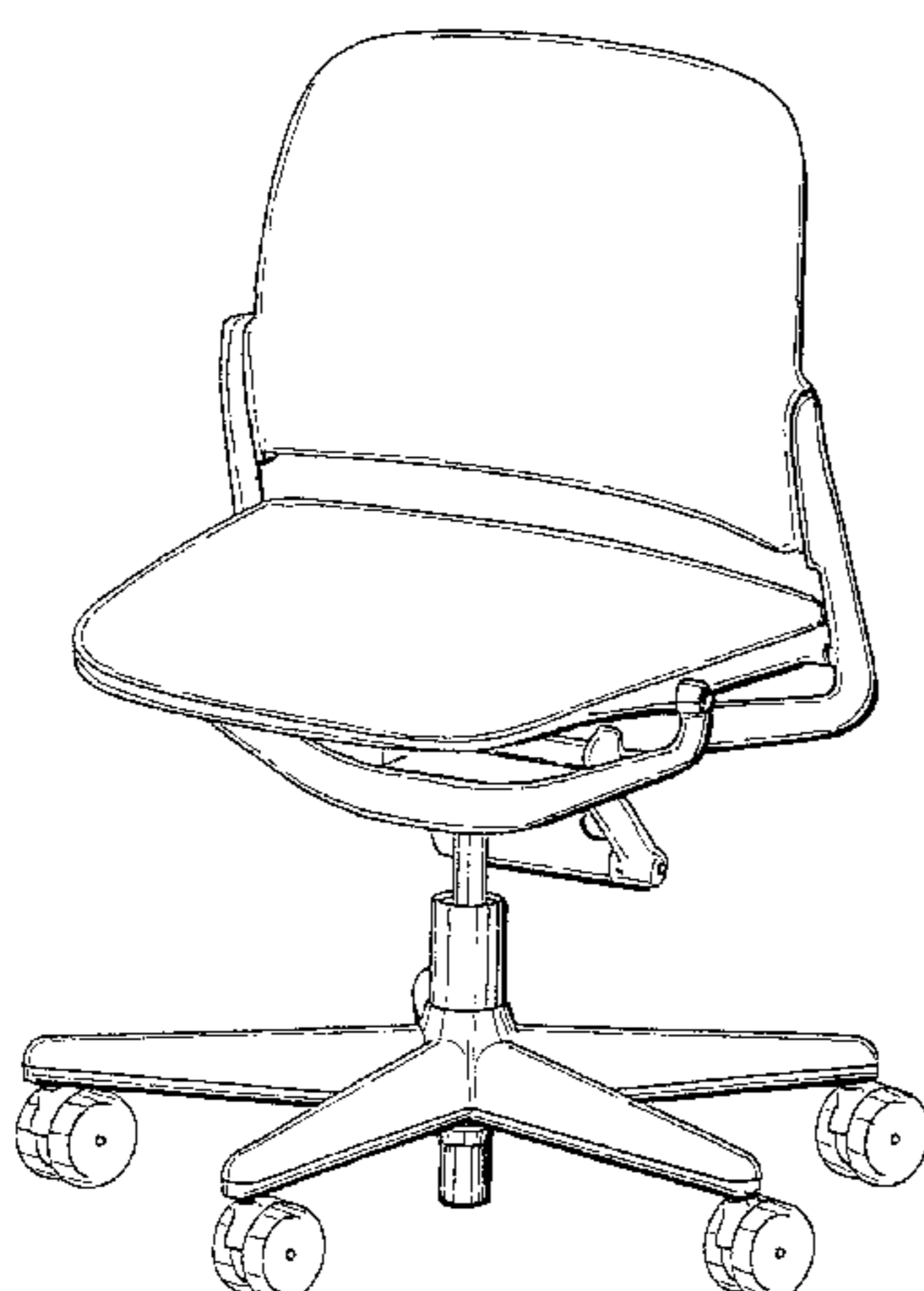
FIG. 17 is a front view of FIG. 16;

FIG. 18 is a right side view of FIG. 16, the left side being a mirror image of the right side;

FIG. 19 is a rear view of FIG. 16; and,

FIG. 20 is a top view of FIG. 16.

1 Claim, 10 Drawing Sheets



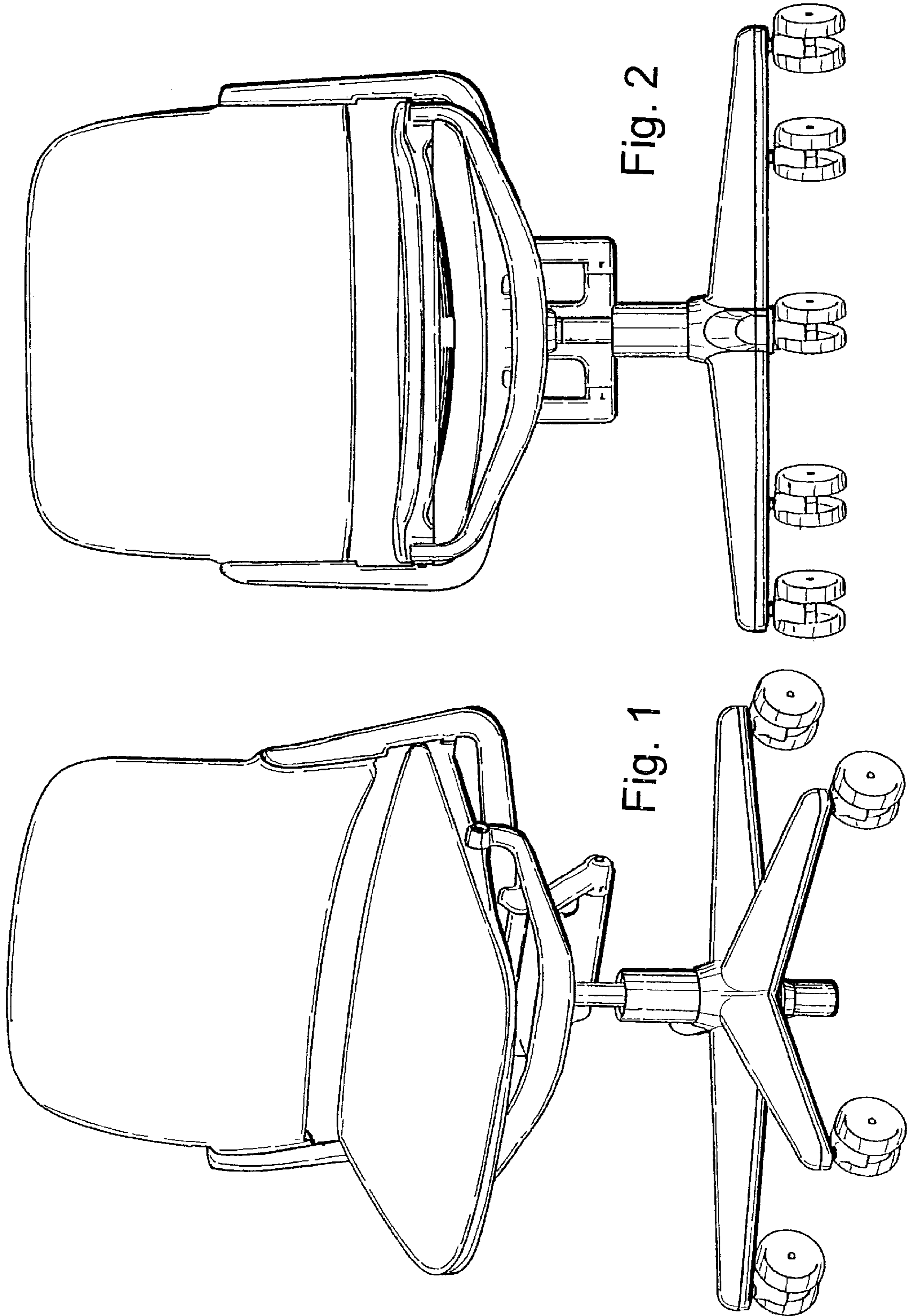
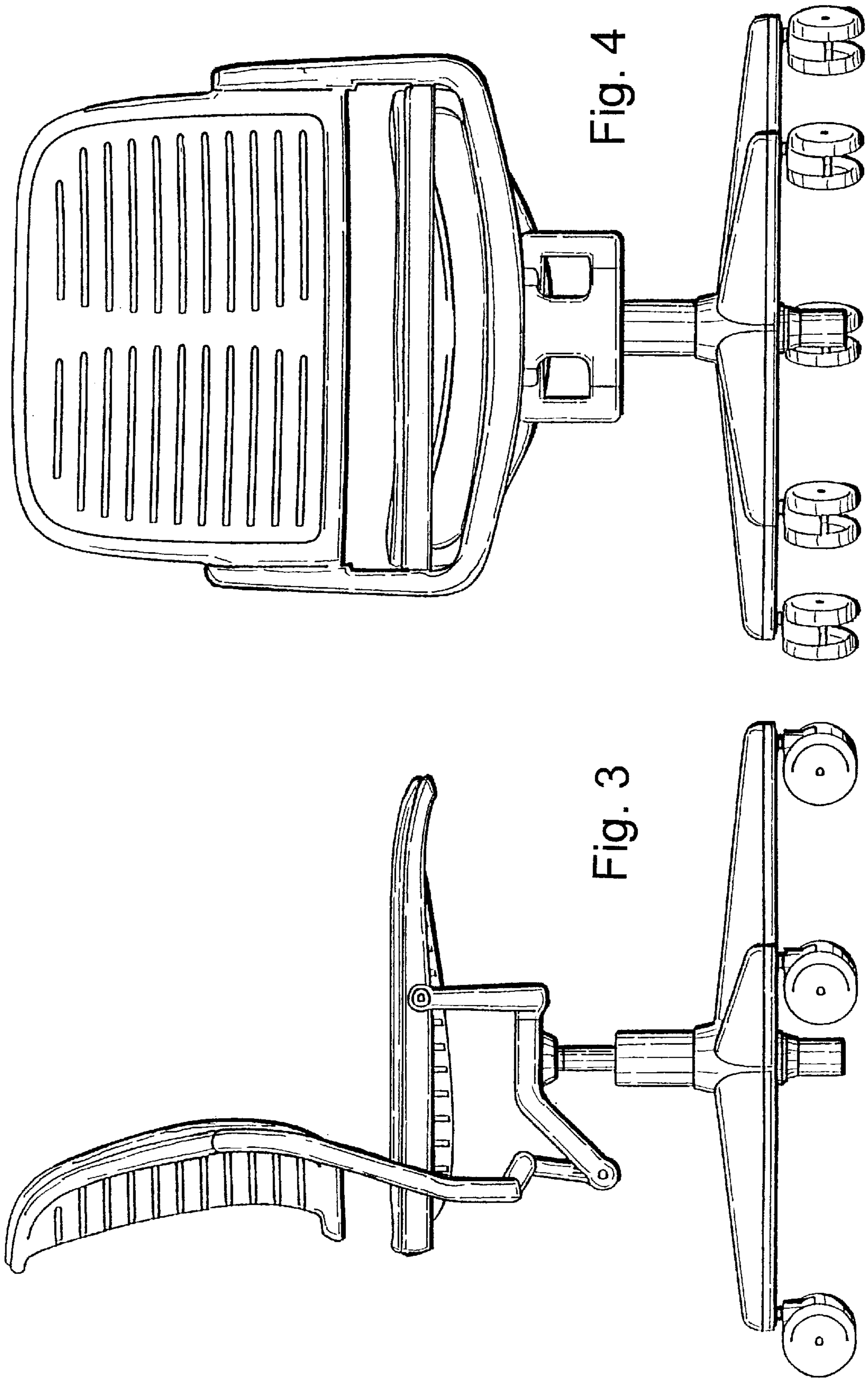


Fig. 2

Fig. 1



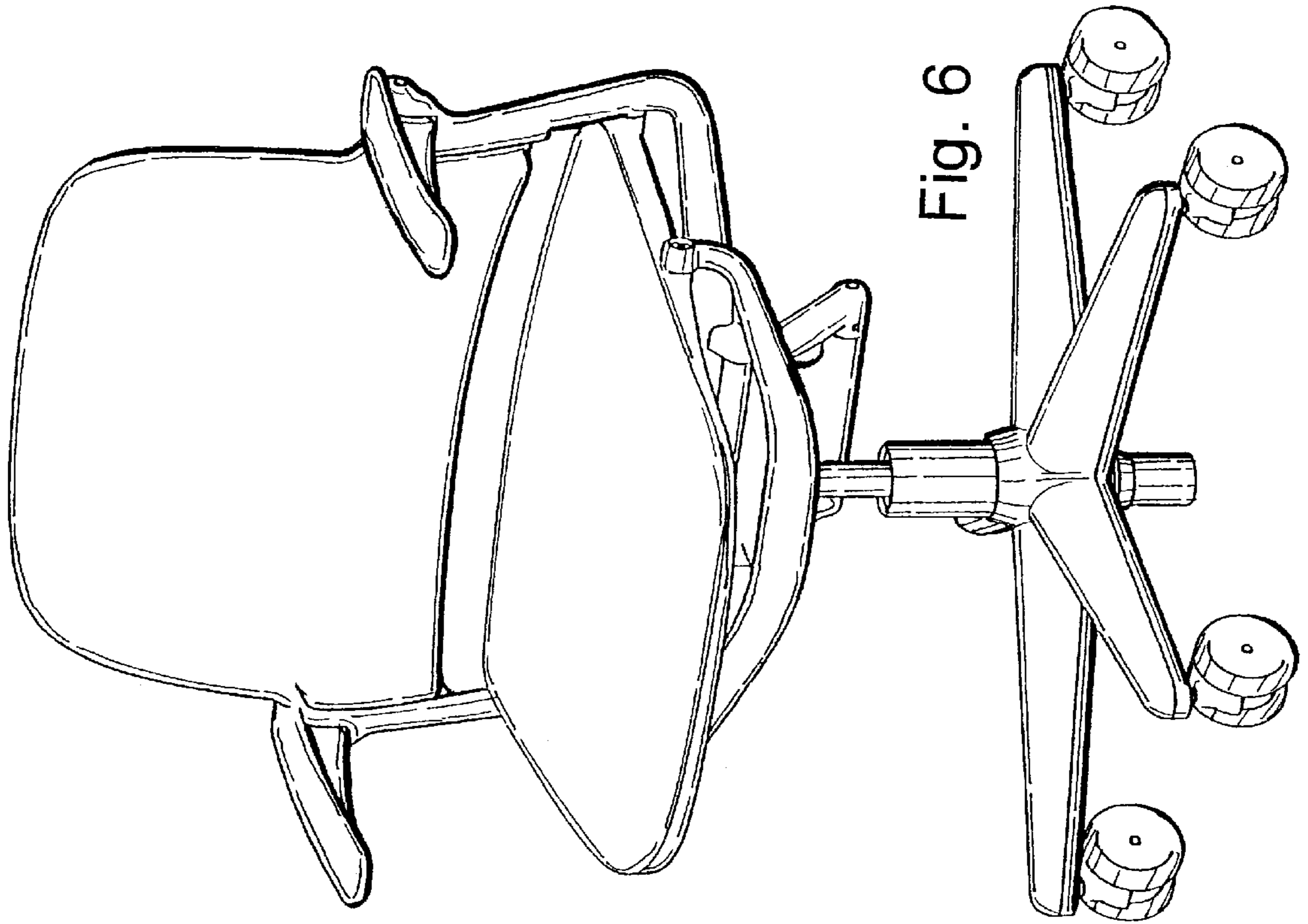


Fig. 6

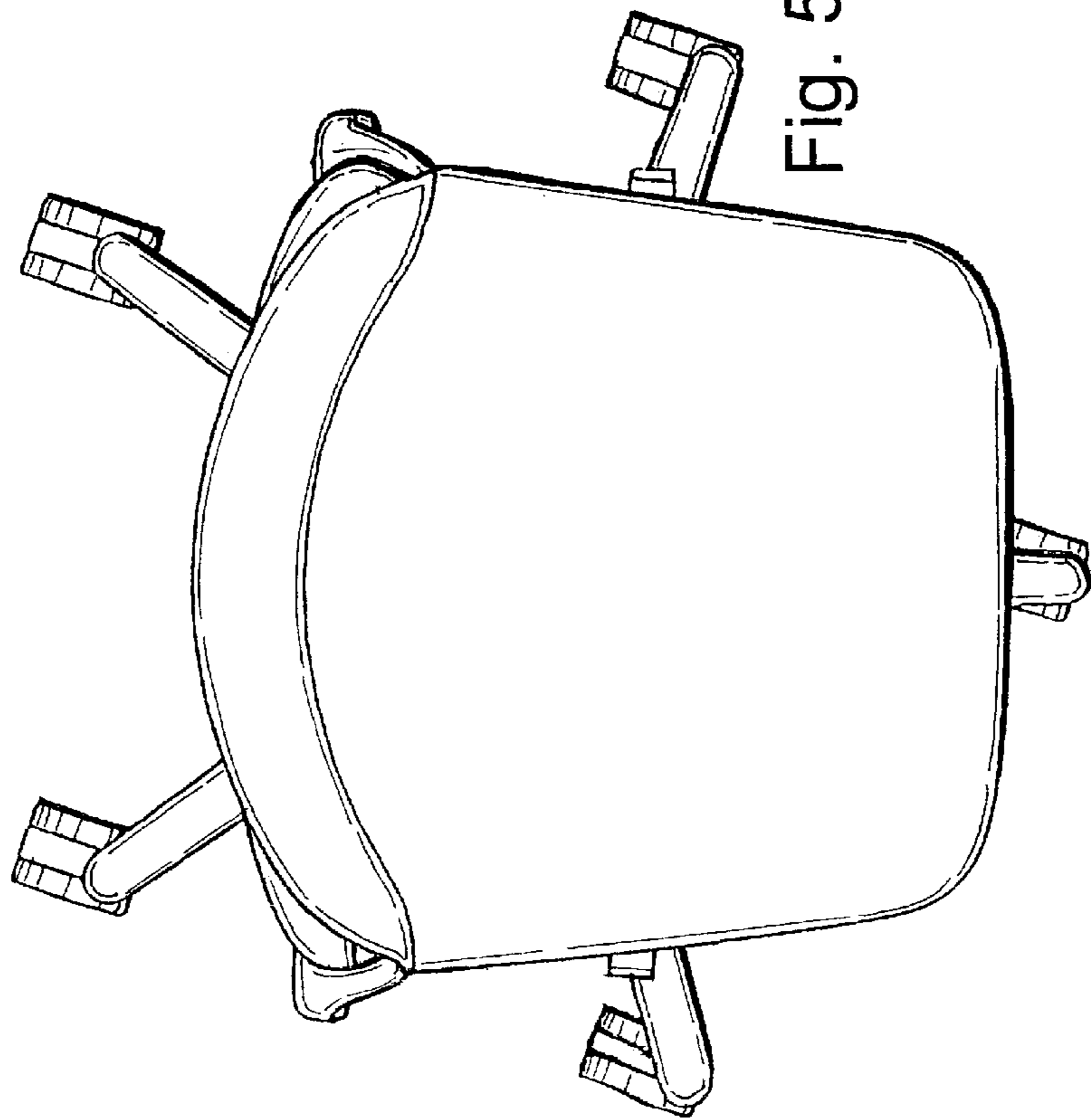


Fig. 5

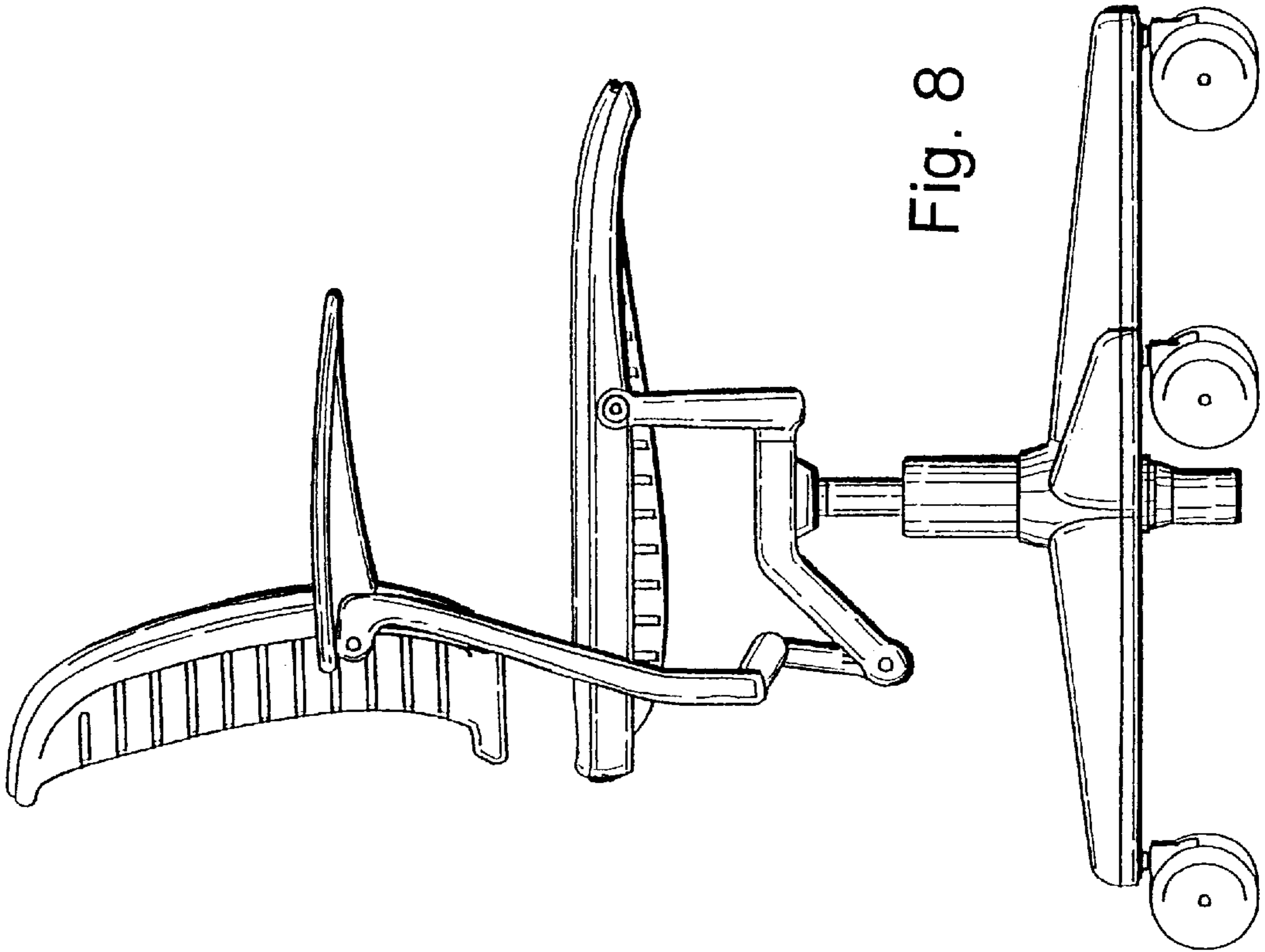


Fig. 7

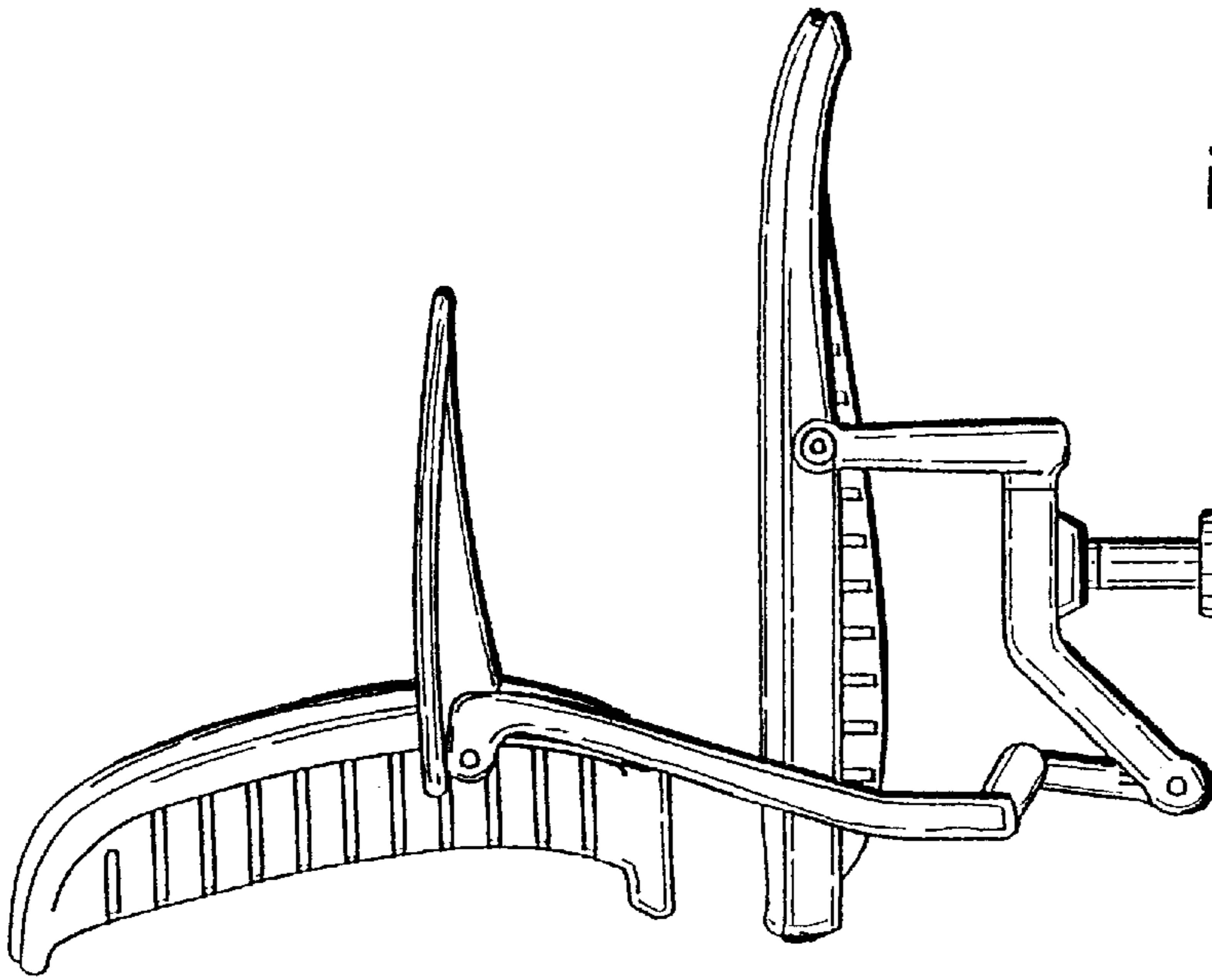
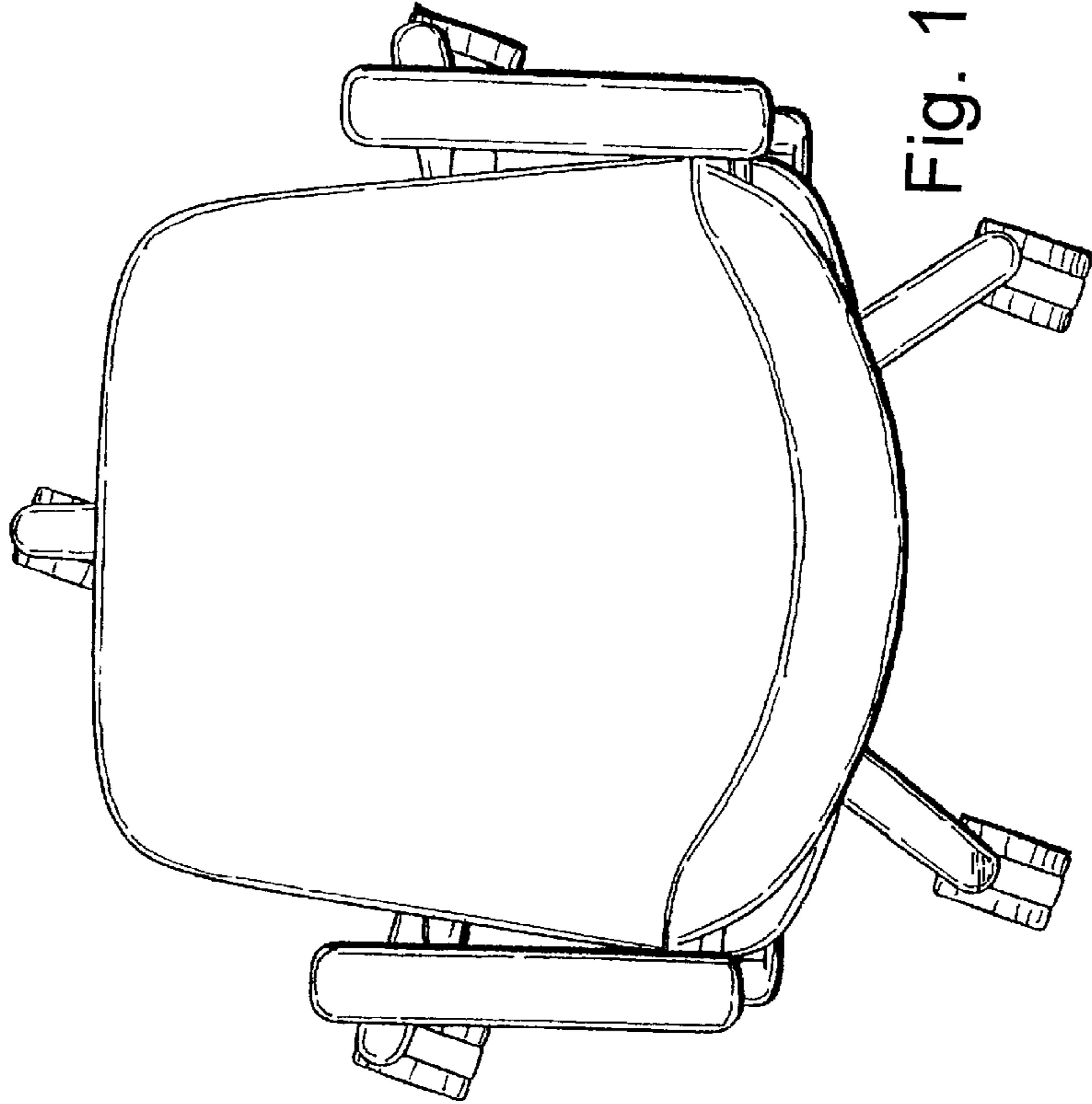
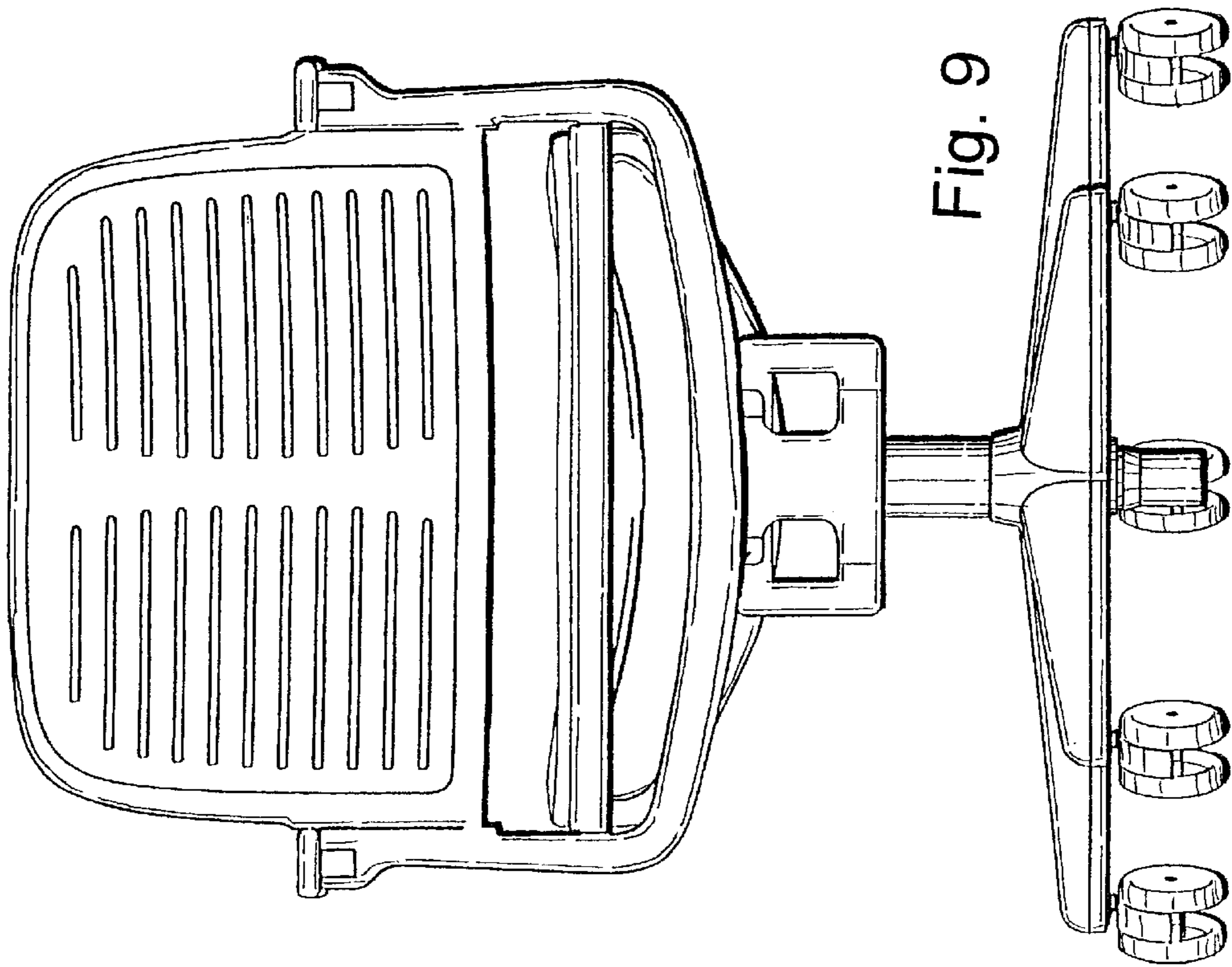


Fig. 8



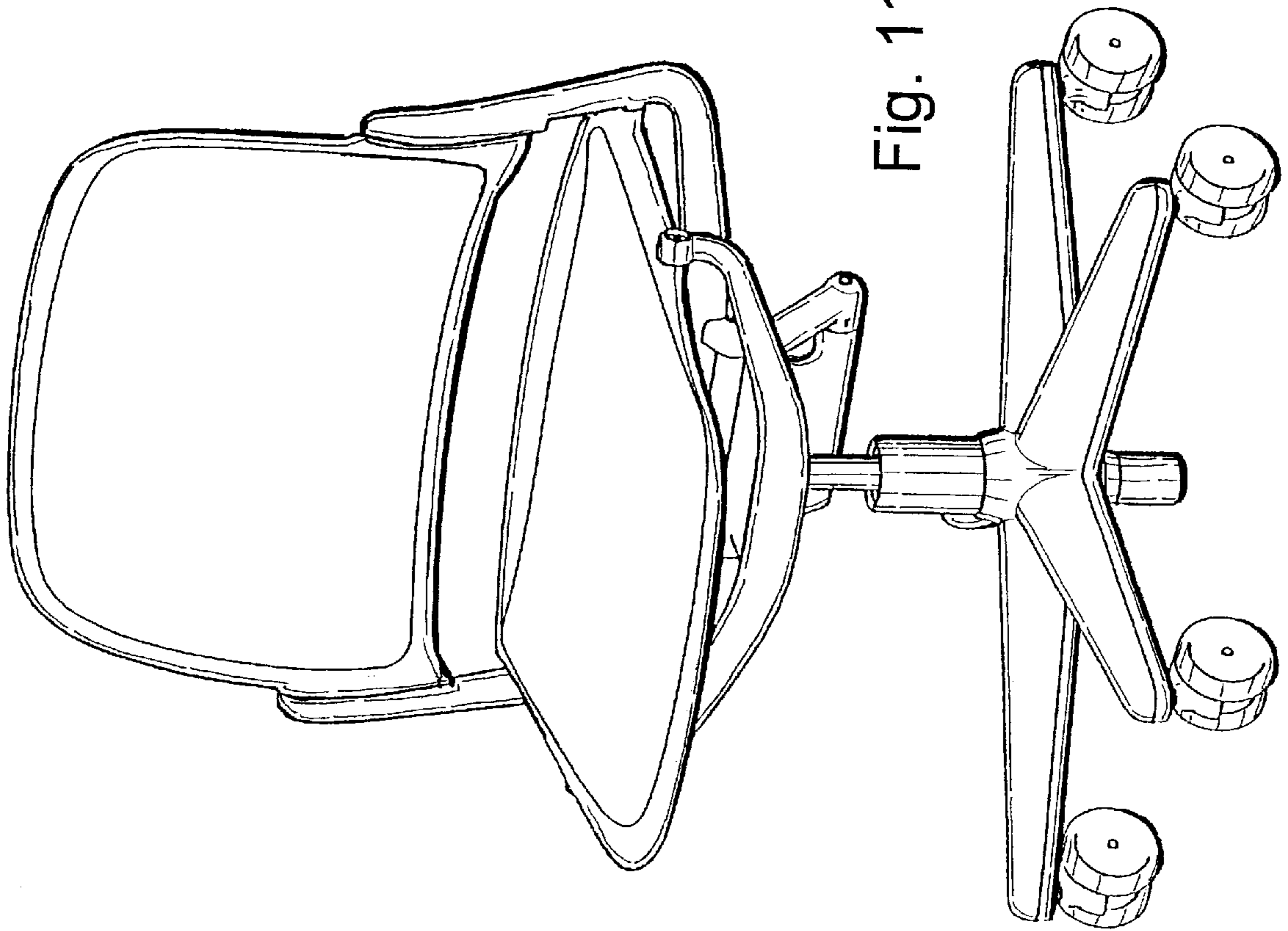


Fig. 11

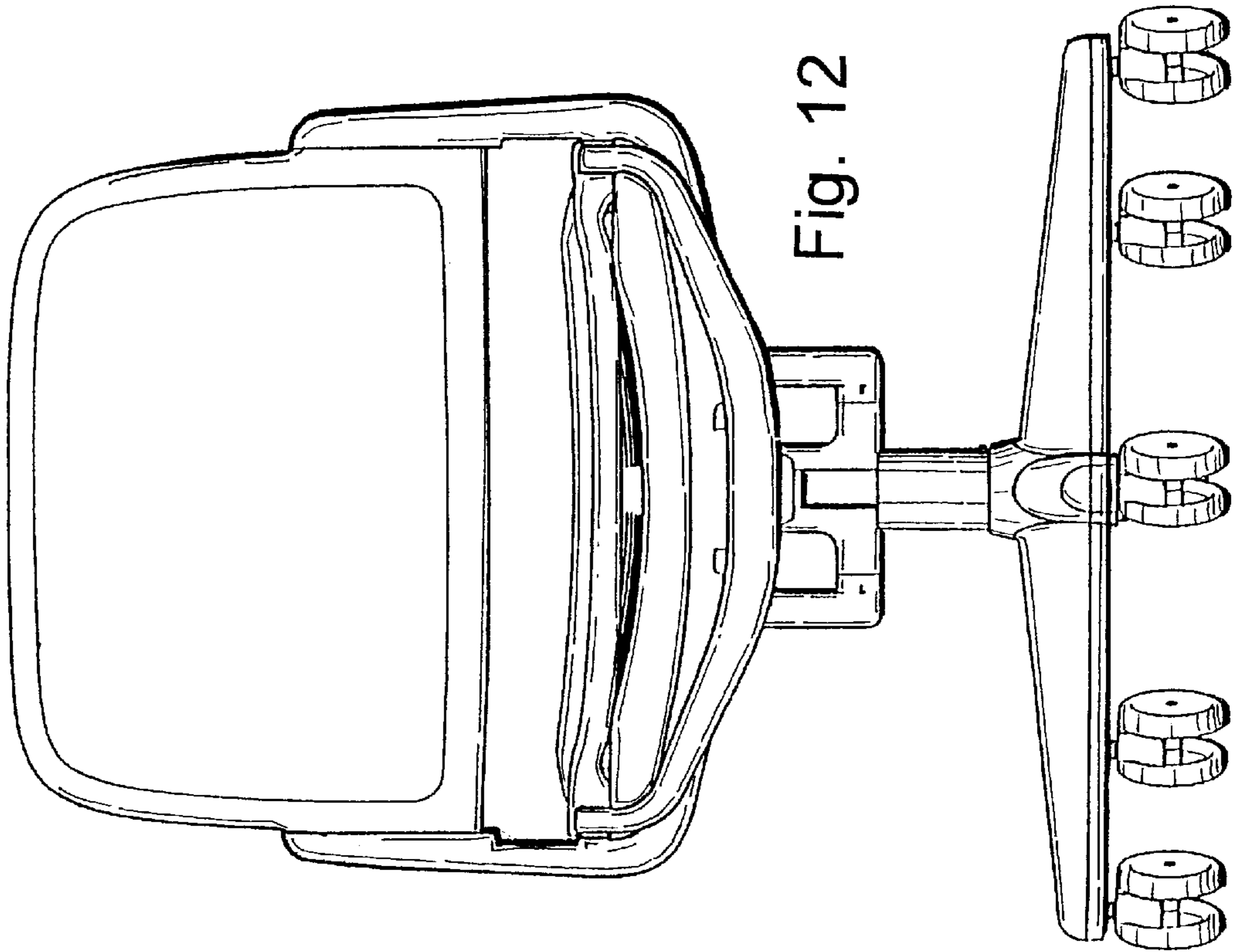
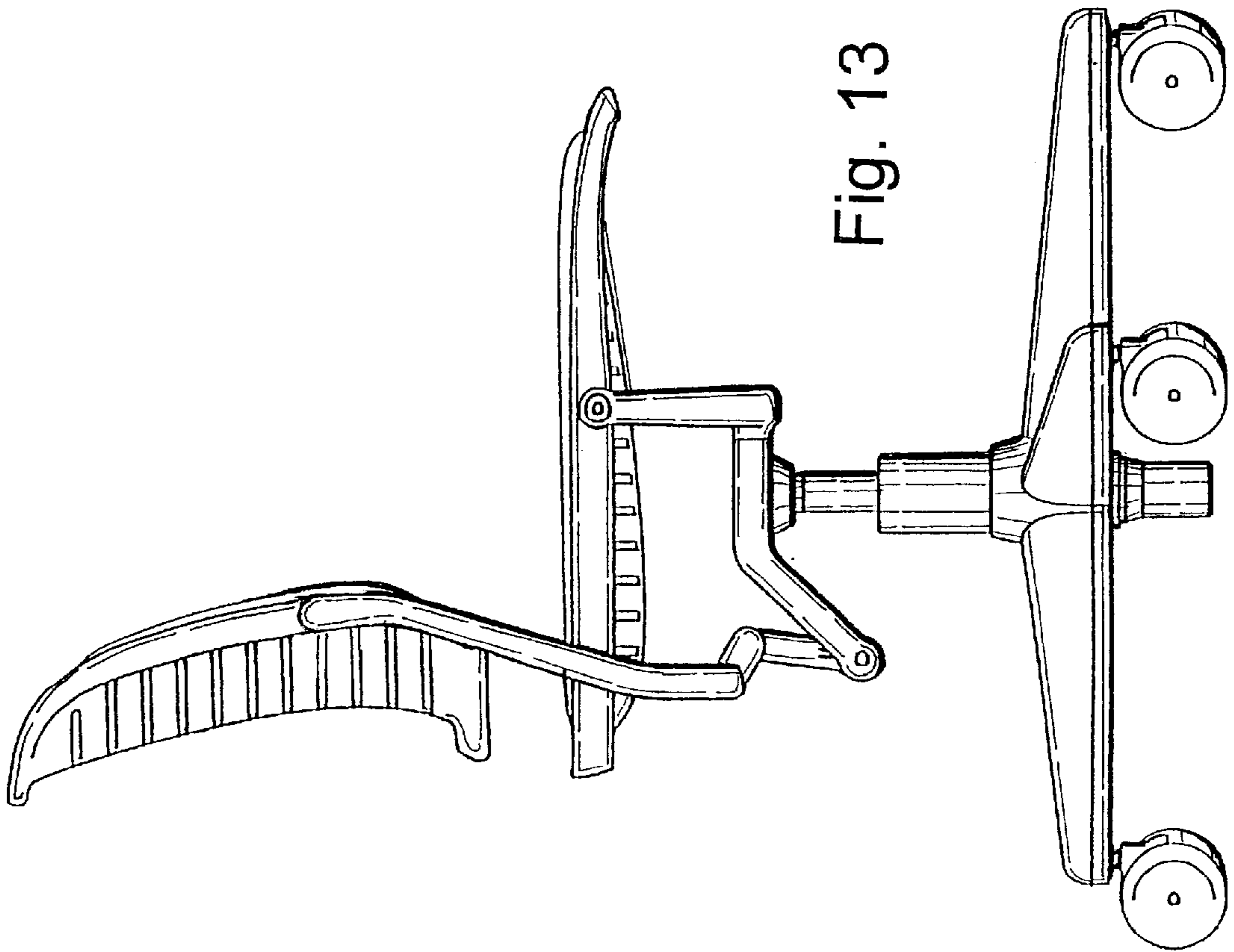
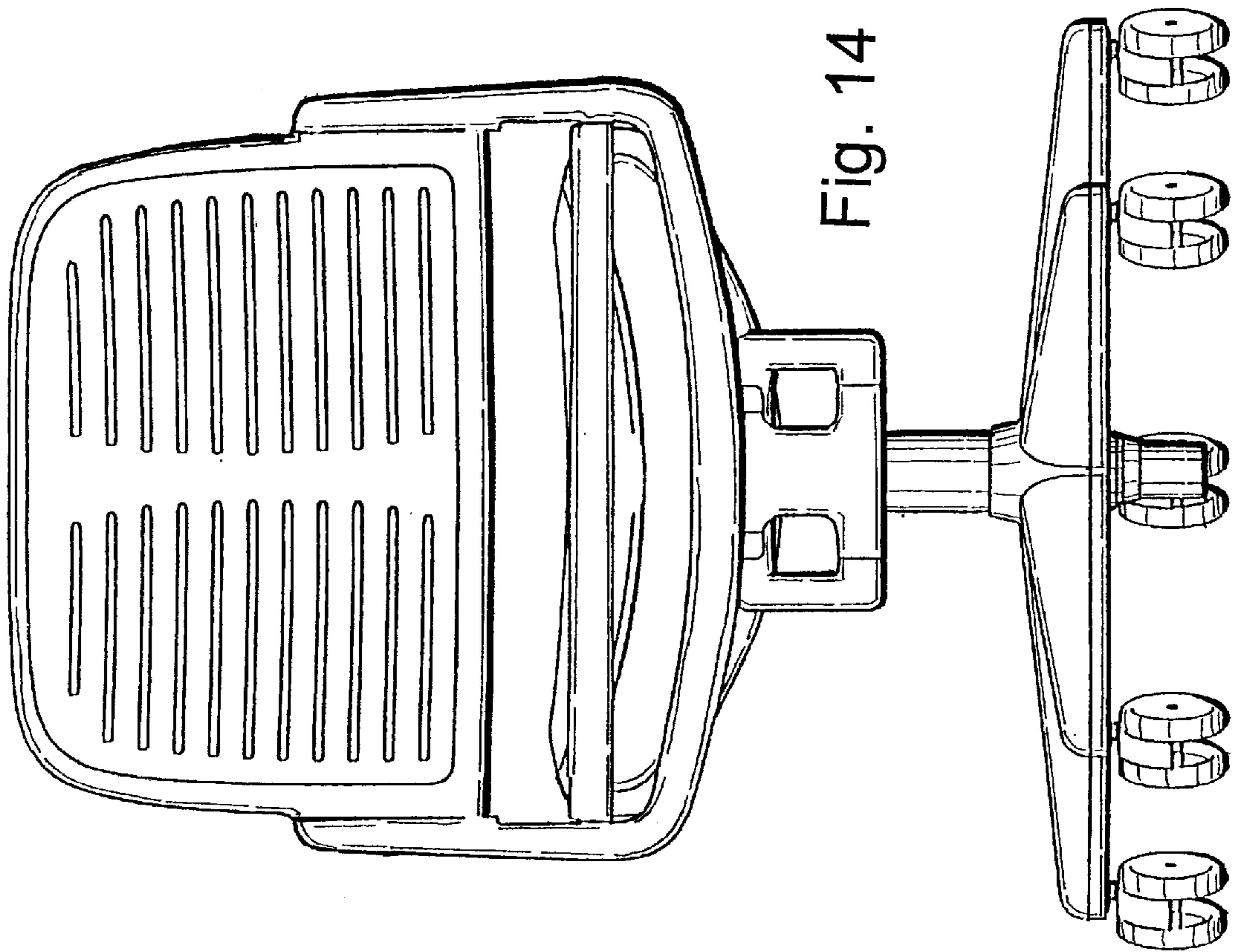


Fig. 12



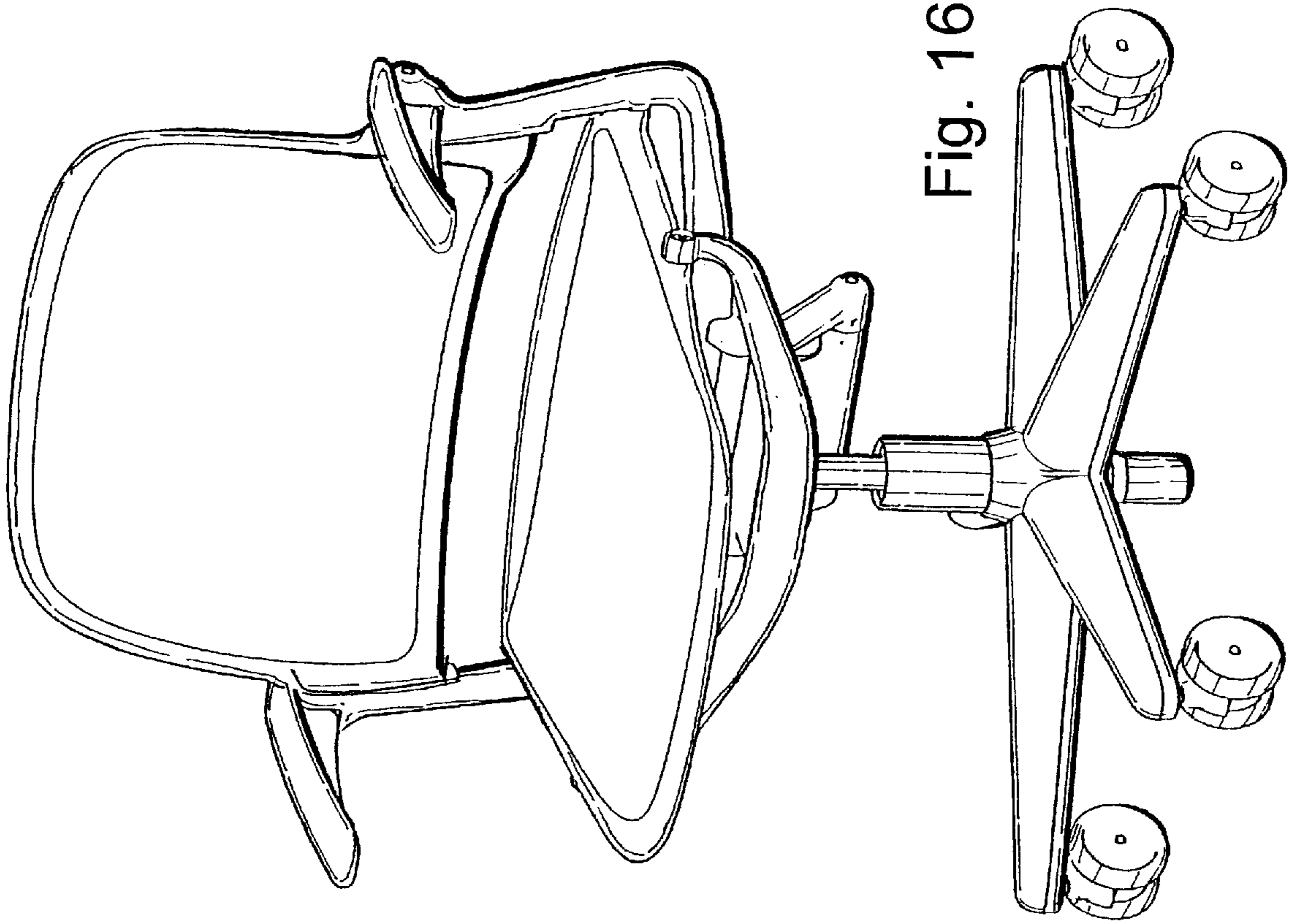


Fig. 16

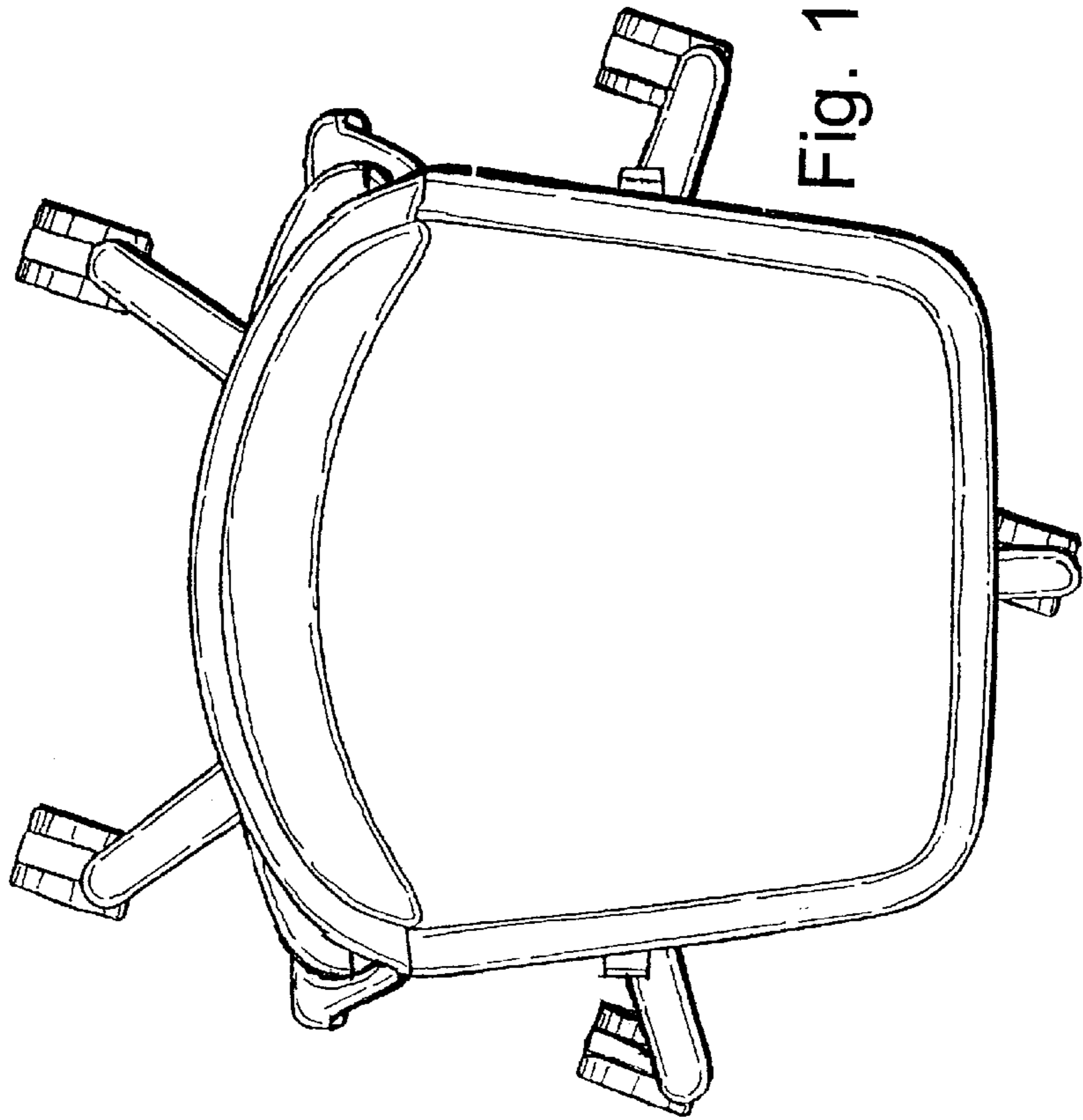


Fig. 15

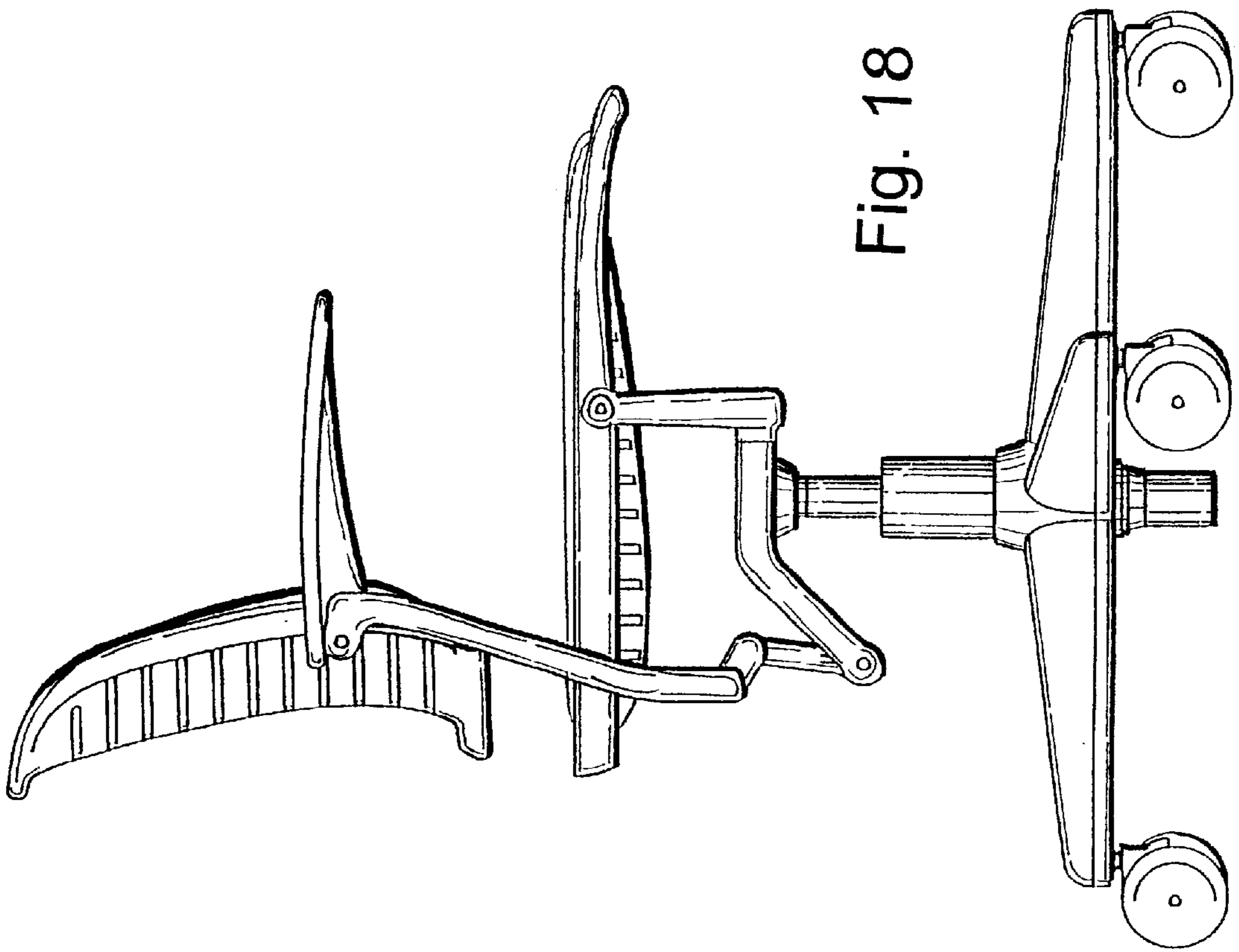


Fig. 18

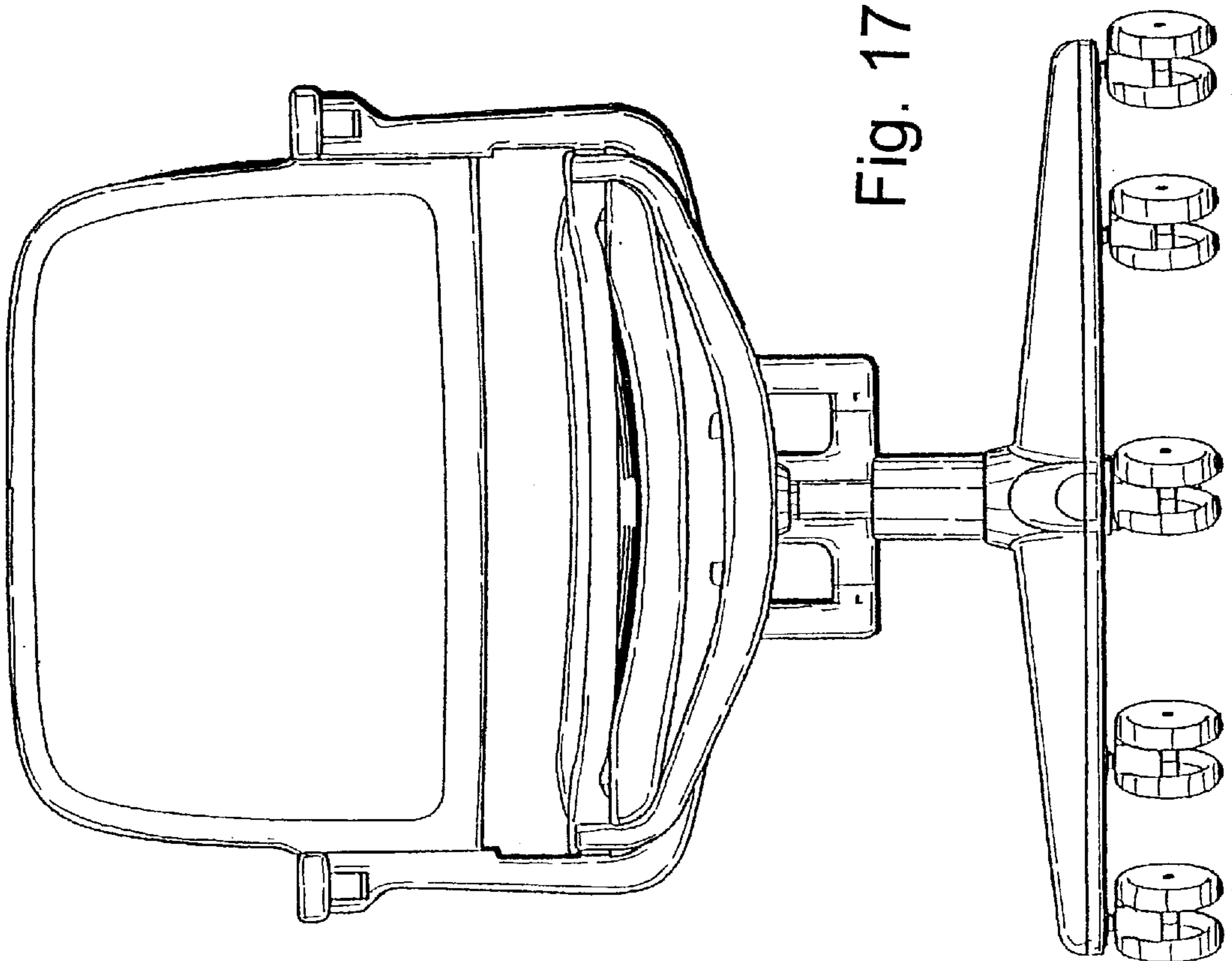


Fig. 17

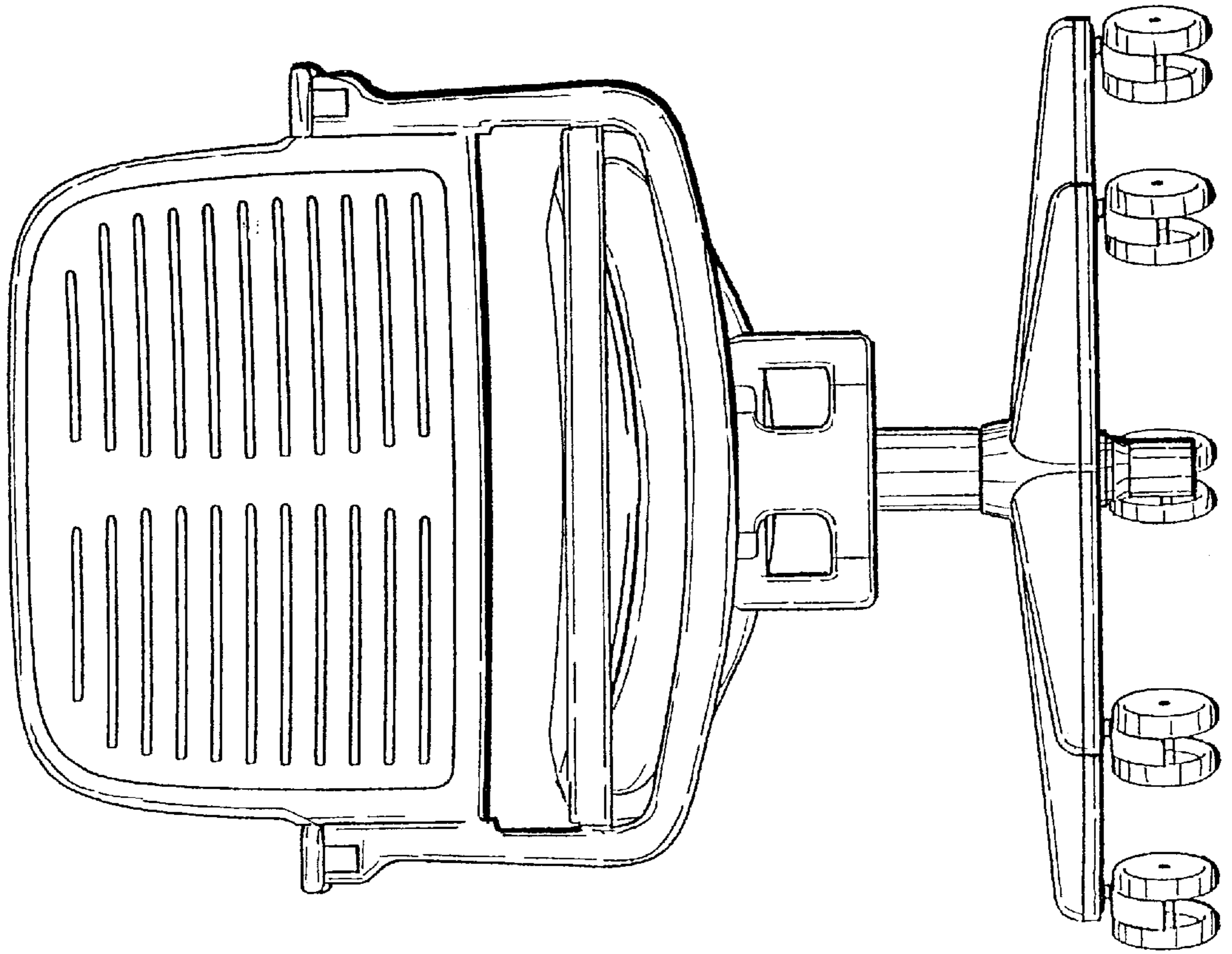


Fig. 19

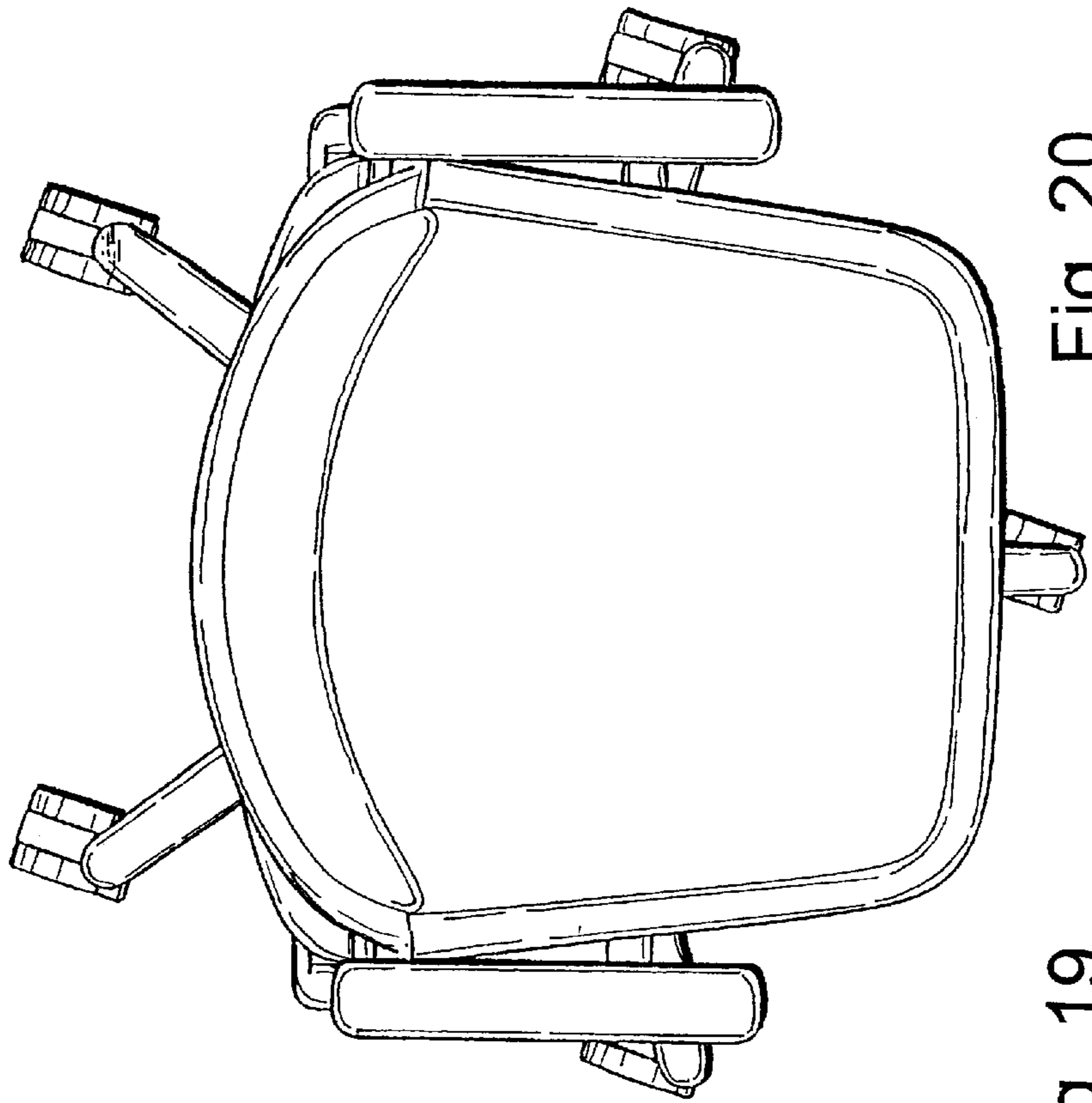


Fig. 20