



US00D456626S

(12) **United States Design Patent**  
**Su**

(10) **Patent No.:** **US D456,626 S**

(45) **Date of Patent:** **\*\* May 7, 2002**

(54) **CHAIR**

(76) **Inventor:** **Tung-Hua Su**, No. 16, Alley 23, Lane 900, Min Sheng St., Kuwi Jen Hsiang (TW)

(\*\*) **Term:** **14 Years**

(21) **Appl. No.:** **29/145,250**

(22) **Filed:** **Jul. 19, 2001**

(51) **LOC (7) Cl.** ..... **06-01**

(52) **U.S. Cl.** ..... **D6/366**

(58) **Field of Search** ..... D6/334, 364, 365, D6/366, 367, 500, 501, 502; 297/411.2, 411.27, 411.36

(56) **References Cited**

**U.S. PATENT DOCUMENTS**

D346,279 S	*	4/1994	Stumpf et al.	.....	D6/366
D399,664 S	*	10/1998	Goodworth et al.	.....	D6/366
D423,259 S	*	4/2000	Grove	.....	D6/500
D423,260 S	*	4/2000	Grove	.....	D6/500

D431,400 S	*	10/2000	Grove	.....	D6/500
D440,419 S	*	4/2001	Röder	.....	D6/366
D449,174 S	*	10/2001	Neil	.....	D6/366
D449,457 S	*	10/2001	Su	.....	D6/366
D451,293 S	*	12/2001	Su	.....	D6/366

\* cited by examiner

*Primary Examiner*—Gary D. Watson

(74) *Attorney, Agent, or Firm*—Charles E. Baxley

(57) **CLAIM**

The ornamental design for a chair, as shown.

**DESCRIPTION**

FIG. 1 is a perspective view of a chair showing my new design;

FIG. 2 is a front elevation view thereof;

FIG. 3 is a rear elevation view thereof;

FIG. 4 is a left side elevation view thereof;

FIG. 5 is a right side elevation view thereof;

FIG. 6 is a top plan view thereof; and,

FIG. 7 is a bottom plan view thereof.

**1 Claim, 6 Drawing Sheets**



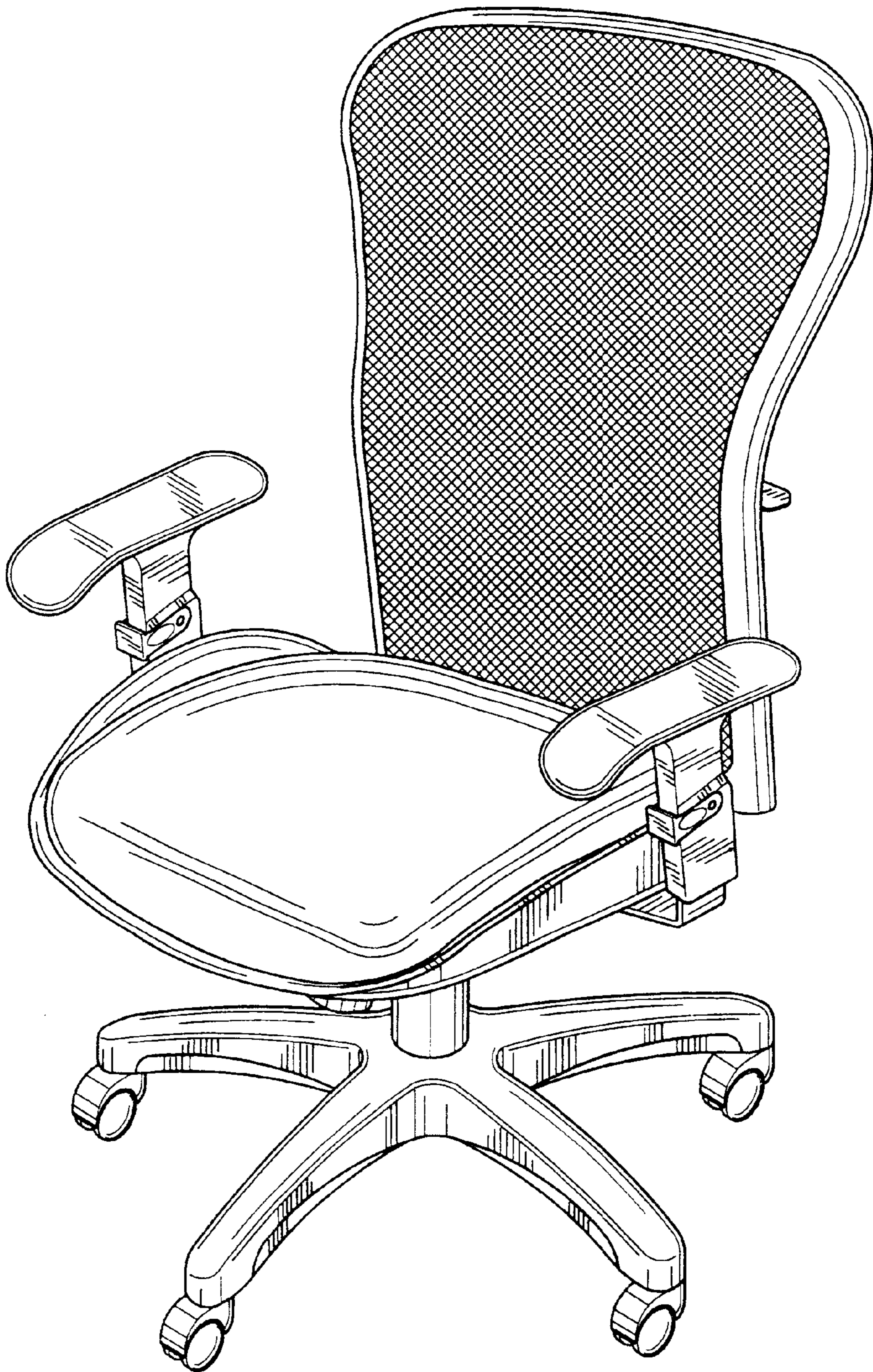


FIG. 1

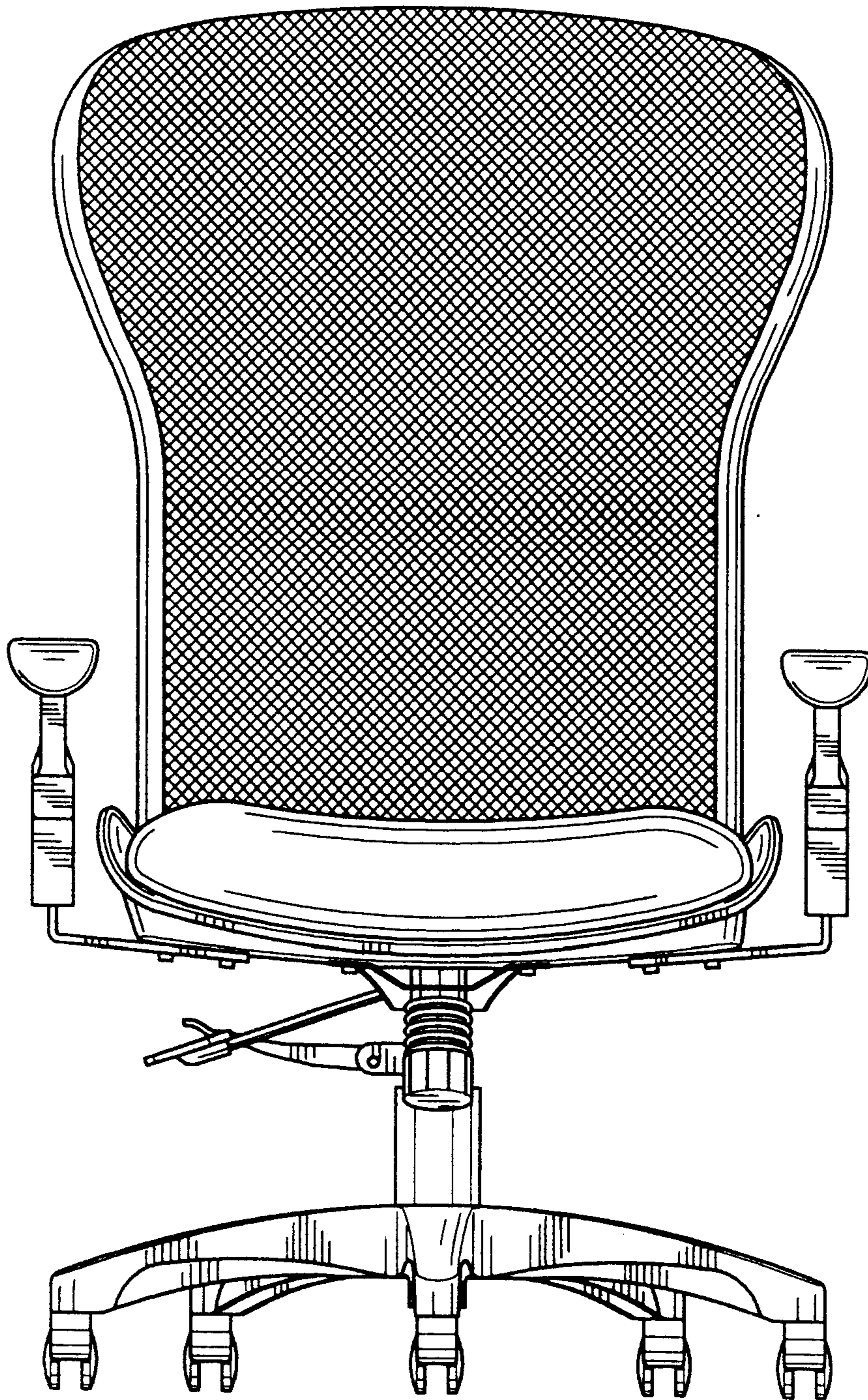


FIG . 2

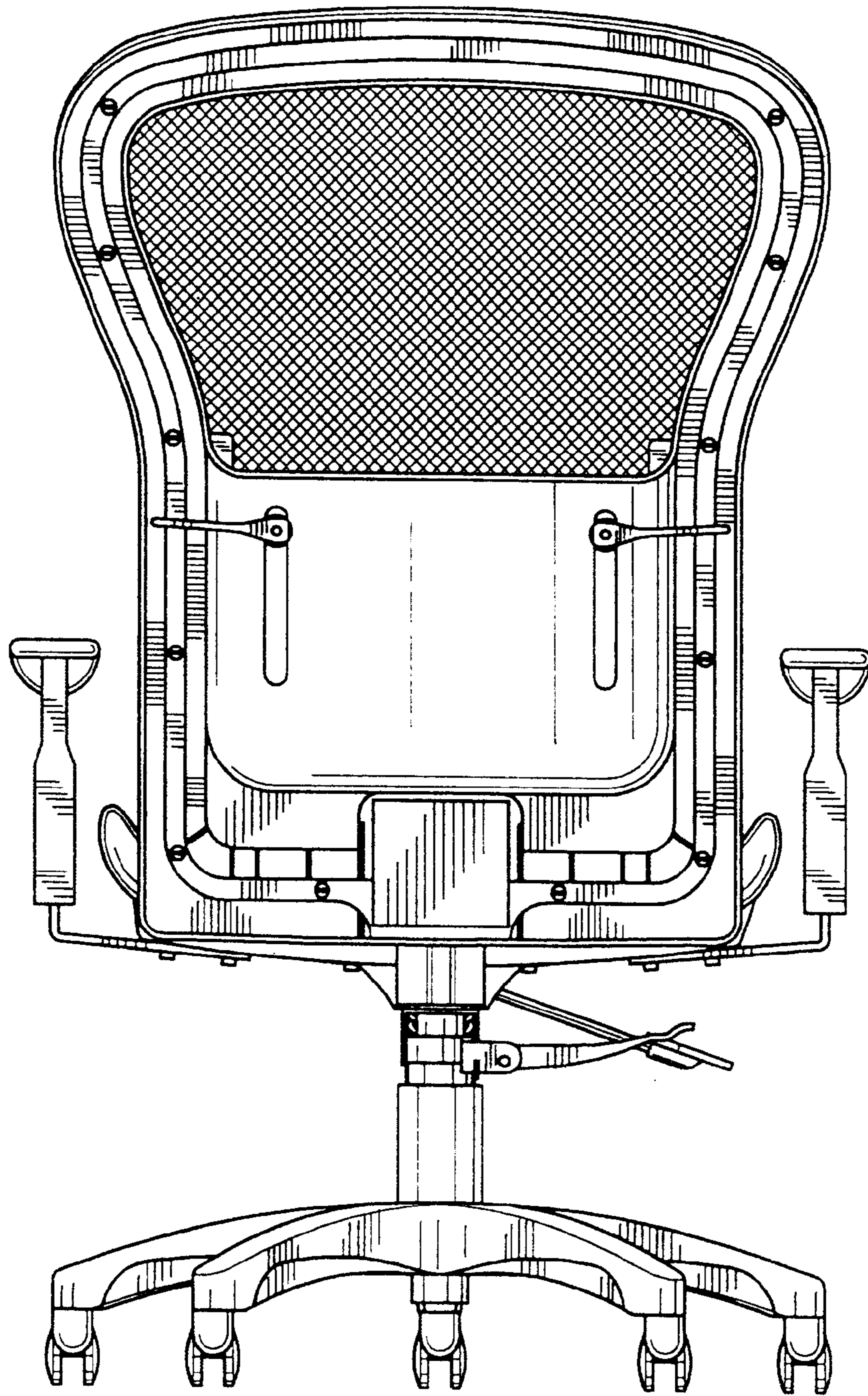


FIG. 3

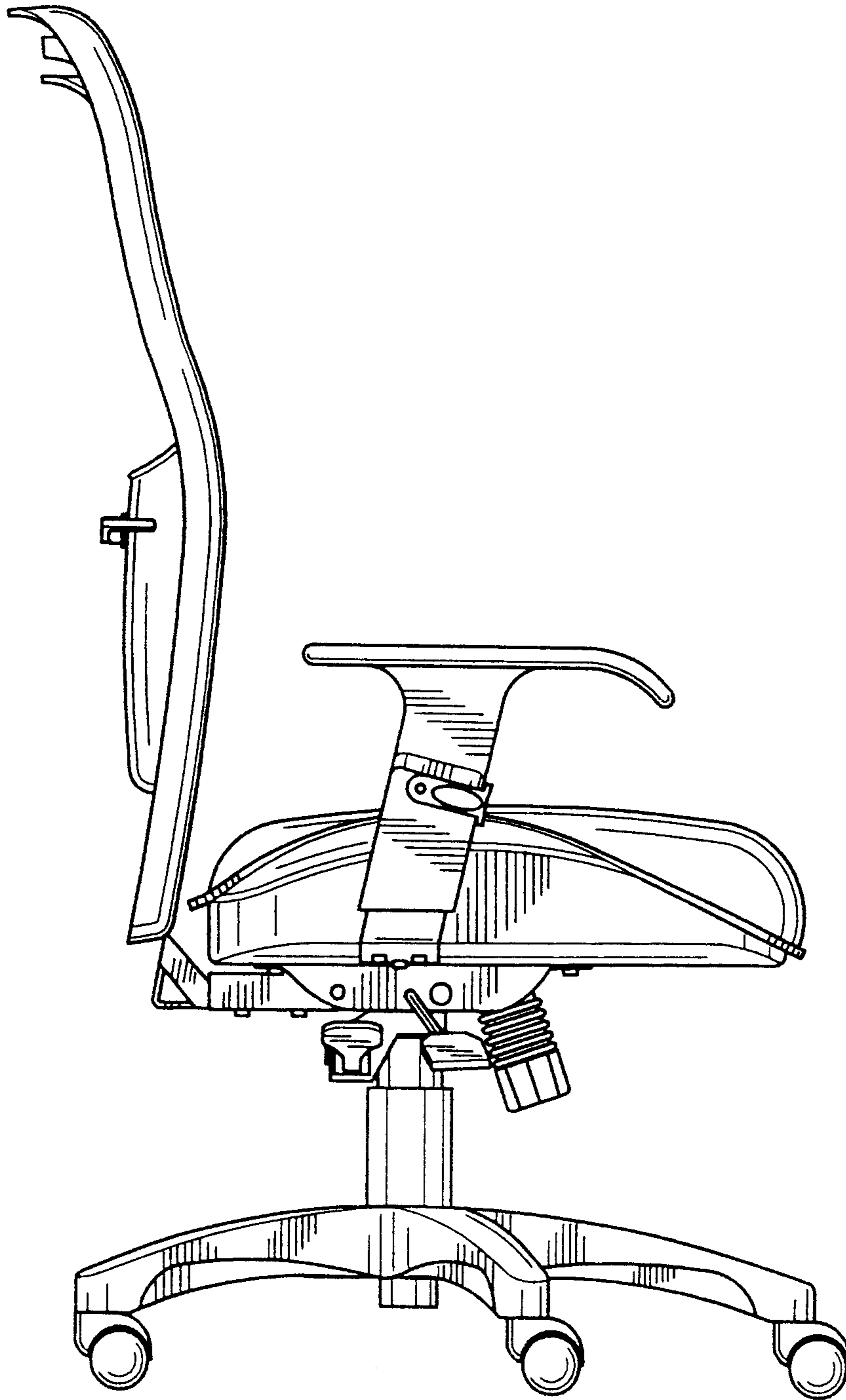


FIG. 4

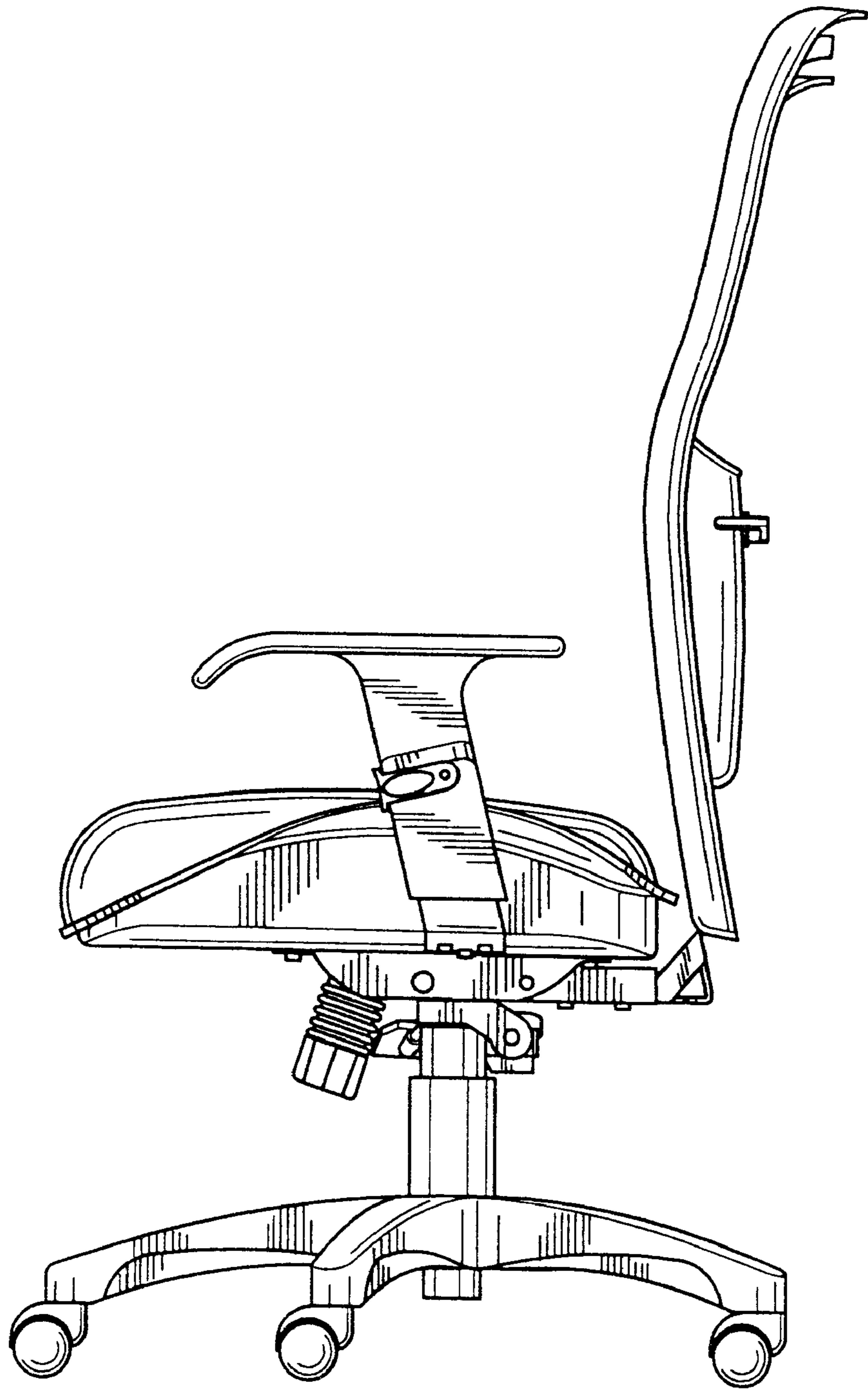


FIG. 5

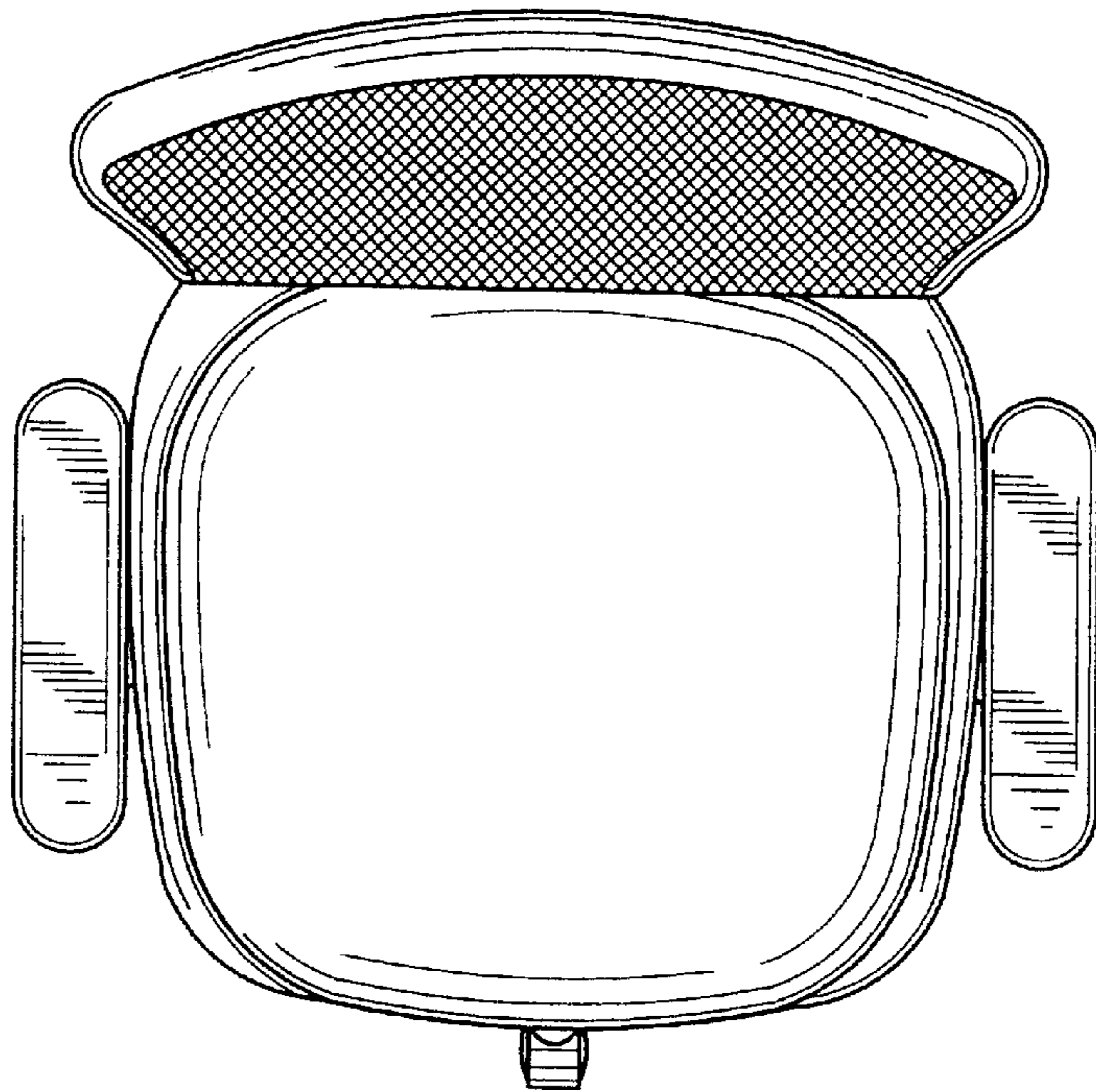


FIG. 6

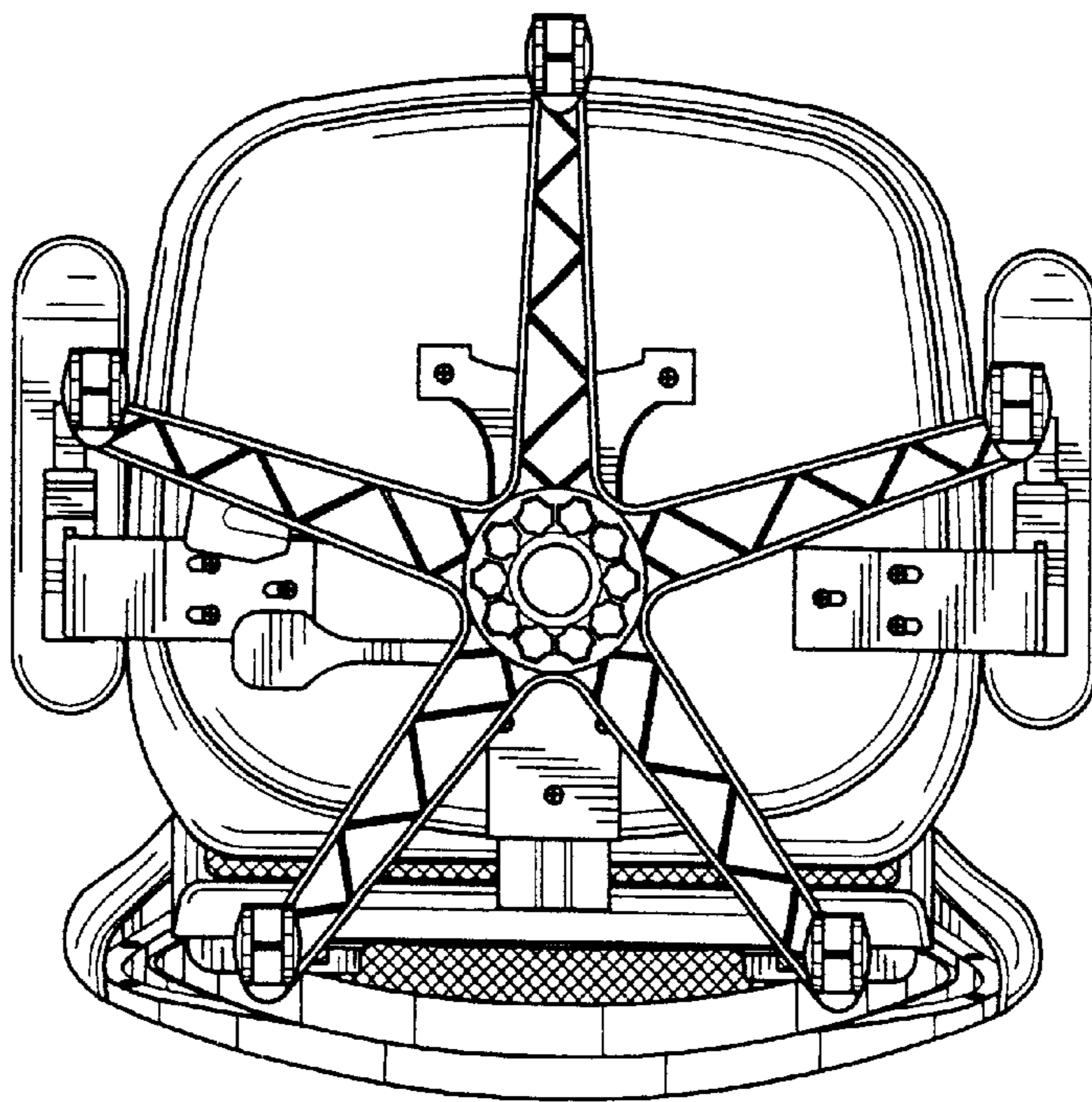


FIG. 7