



US00D456625S

(12) **United States Design Patent**
Frenkler et al.

(10) **Patent No.:** **US D456,625 S**

(45) **Date of Patent:** **** May 7, 2002**

(54) **CHAIR**

(75) Inventors: **Fritz Frenkler; Anette Ponholzer**, both of Frankfurt am Main (DE)

(73) Assignee: **Kokuyo Co., Ltd.**, Osaka-fu (JP)

(**) Term: **14 Years**

(21) Appl. No.: **29/140,381**

(22) Filed: **Apr. 18, 2001**

(30) **Foreign Application Priority Data**

Oct. 18, 2000 (JP) 2000-029456

(51) **LOC (7) Cl.** **06-01**

(52) **U.S. Cl.** **D6/366**

(58) **Field of Search** D6/334, 335, 364, D6/365, 366, 367, 500, 501, 502; 297/411.2, 411.27

(56) **References Cited**

U.S. PATENT DOCUMENTS

D363,383 S * 10/1995 Cronk D6/366
D390,712 S * 2/1998 Koepke et al. D6/366

D407,911 S * 4/1999 Brauning D6/366
D410,799 S * 6/1999 Meda D6/366
D434,575 S * 12/2000 Deacon D6/366
D436,768 S * 1/2001 Jenkins et al. D6/500
D437,701 S * 2/2001 Bellini et al. D6/366

* cited by examiner

Primary Examiner—Gary D. Watson

(74) *Attorney, Agent, or Firm*—Birch, Stewart, Kolasch & Birch, LLP

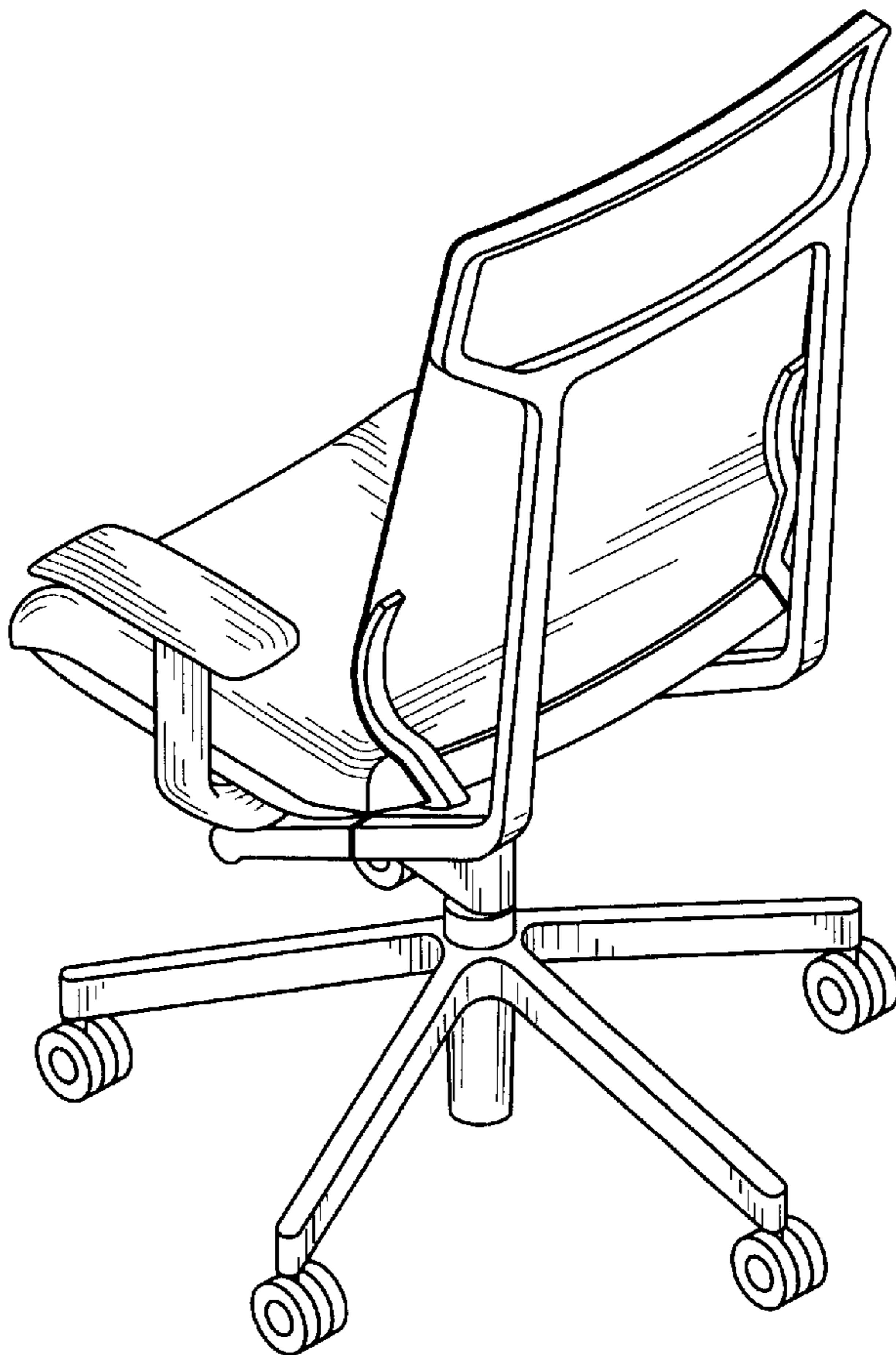
(57) **CLAIM**

The ornamental design for a chair, as shown and described.

DESCRIPTION

FIG. 1 is a perspective view of the top, rear and right side of a chair showing our new design;
FIG. 2 is a front view thereof;
FIG. 3 is a top plan view thereof;
FIG. 4 is a right side view thereof, a left side view being a mirror image thereof;
FIG. 5 is a rear view thereof; and,
FIG. 6 is a bottom view thereof.

1 Claim, 6 Drawing Sheets



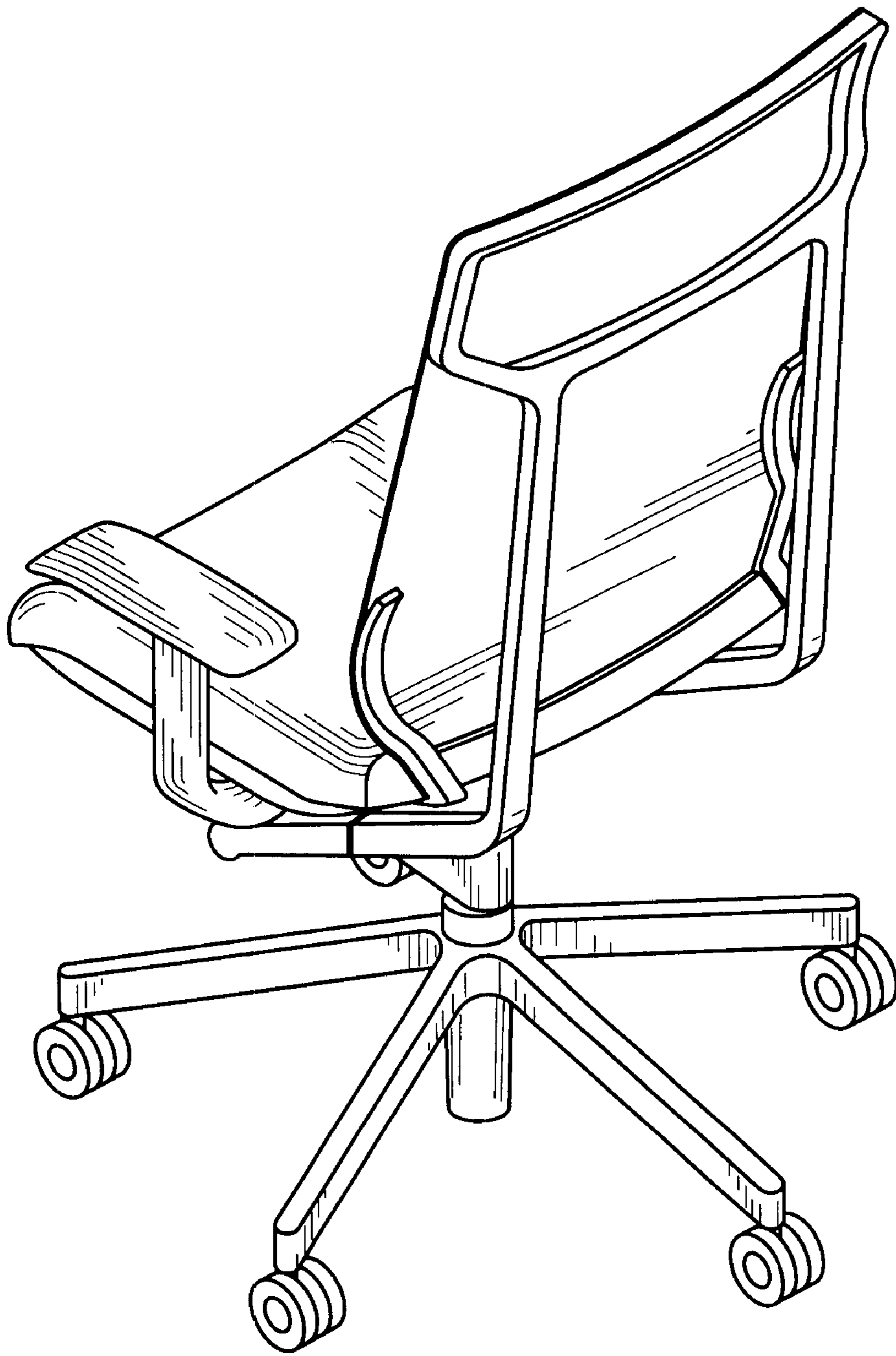


FIG. 1

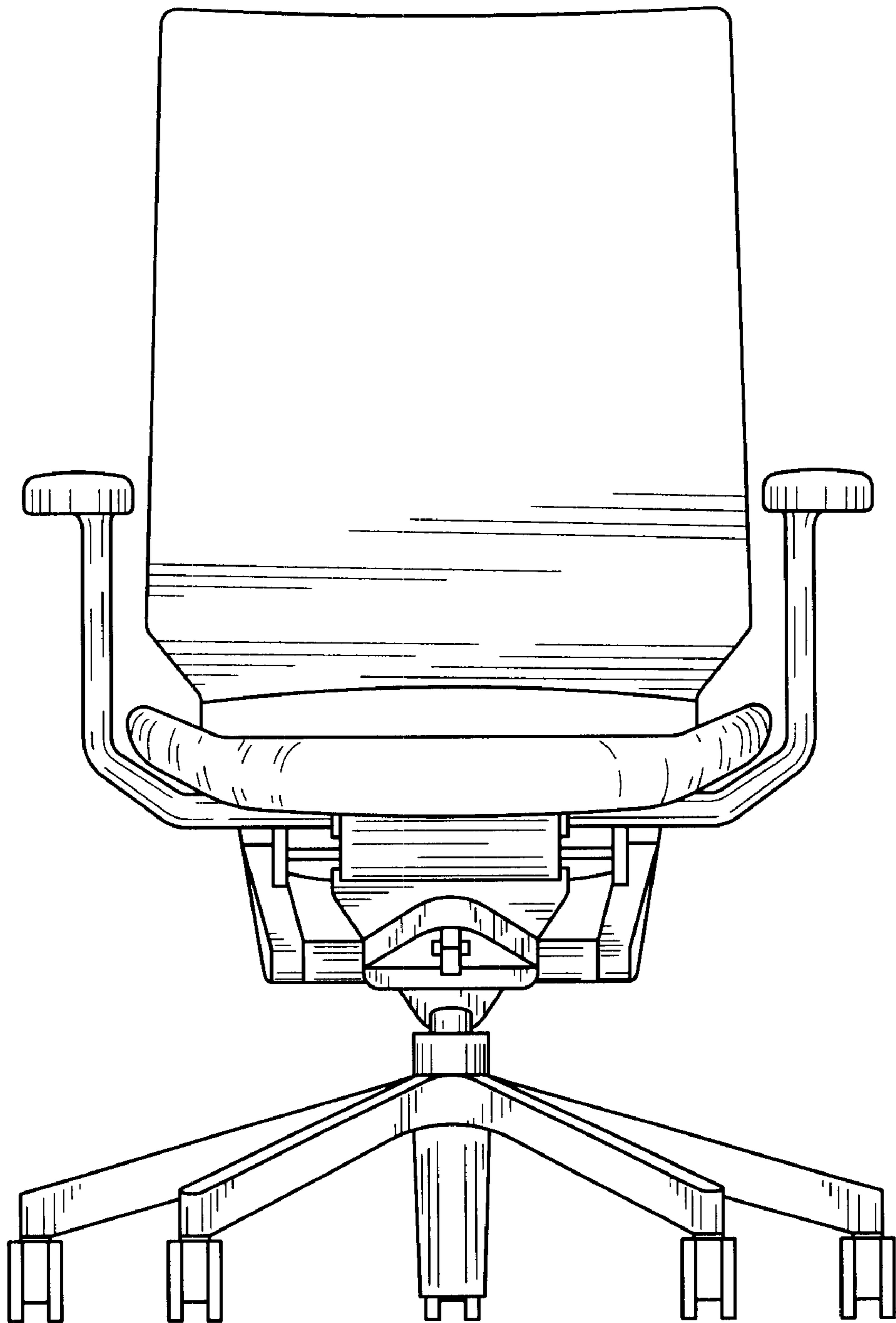


FIG.2

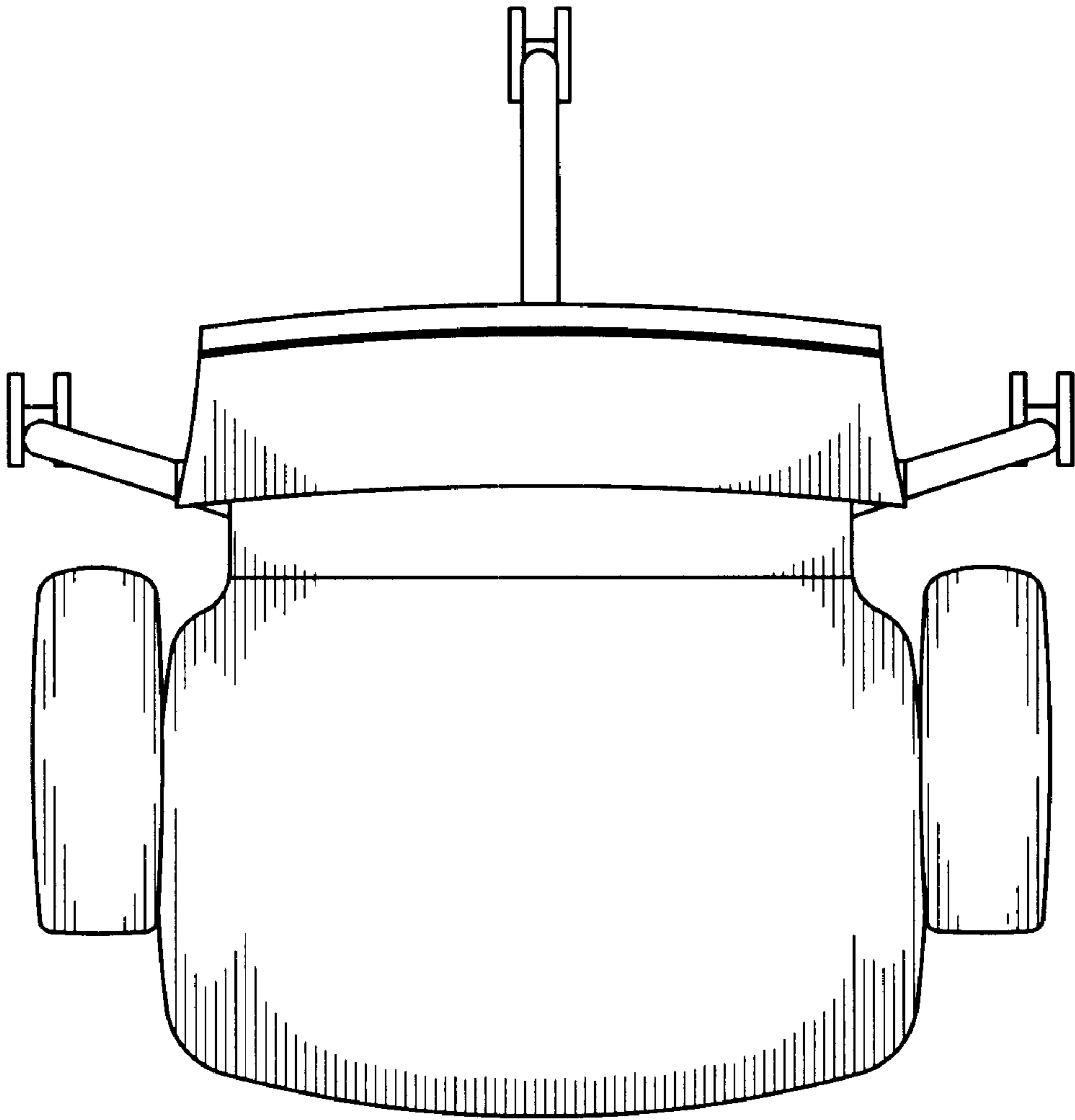


FIG.3

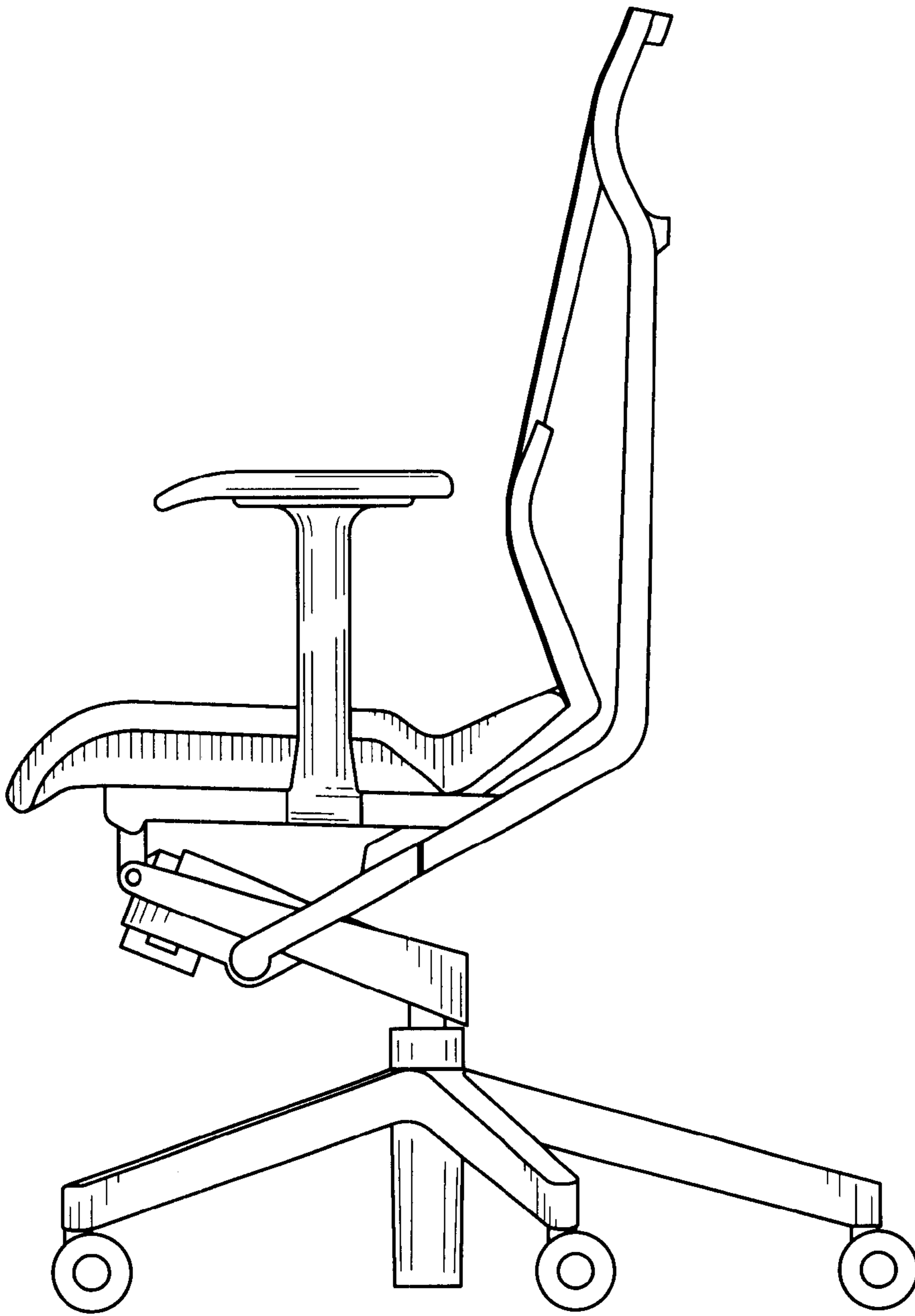


FIG.4

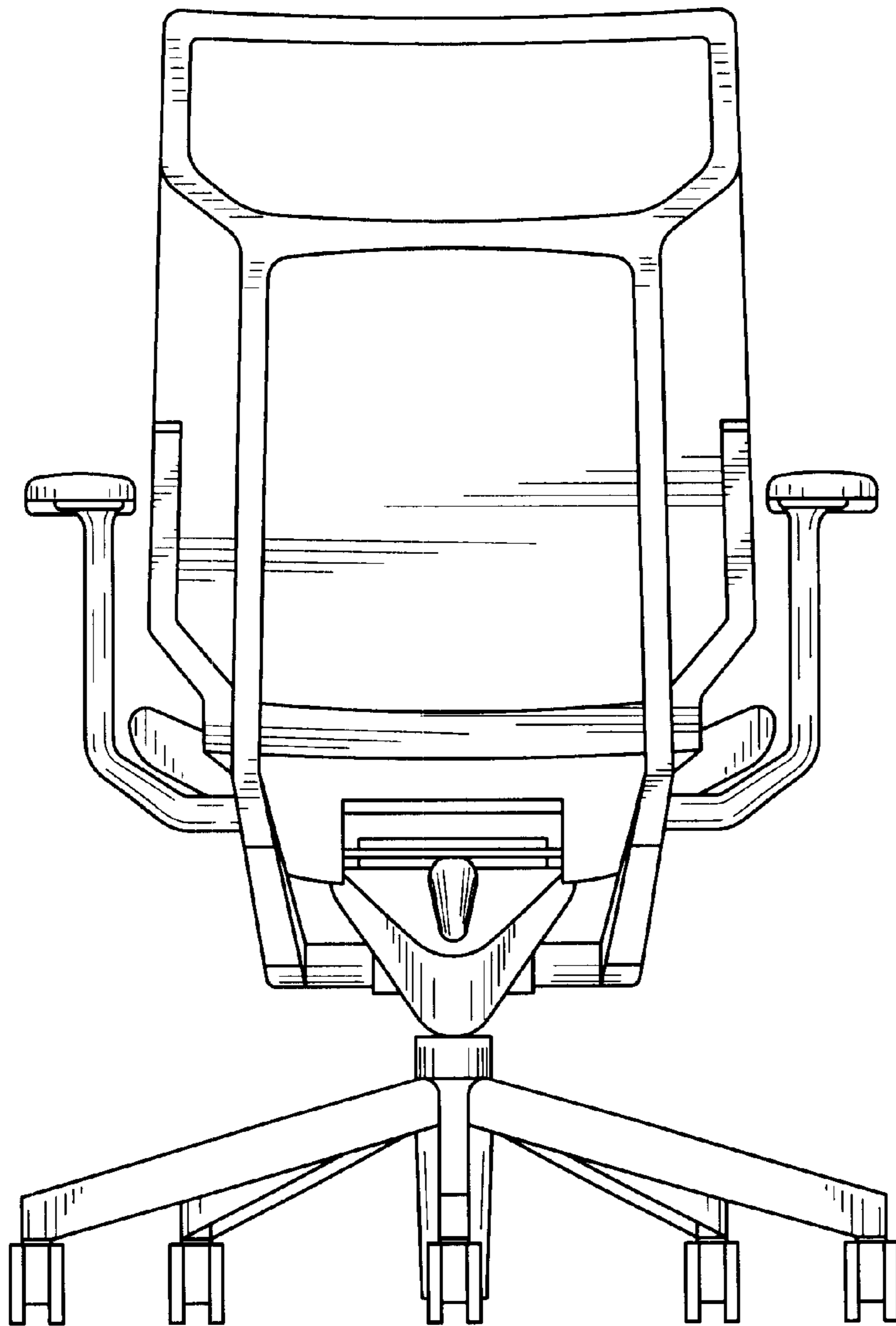


FIG.5

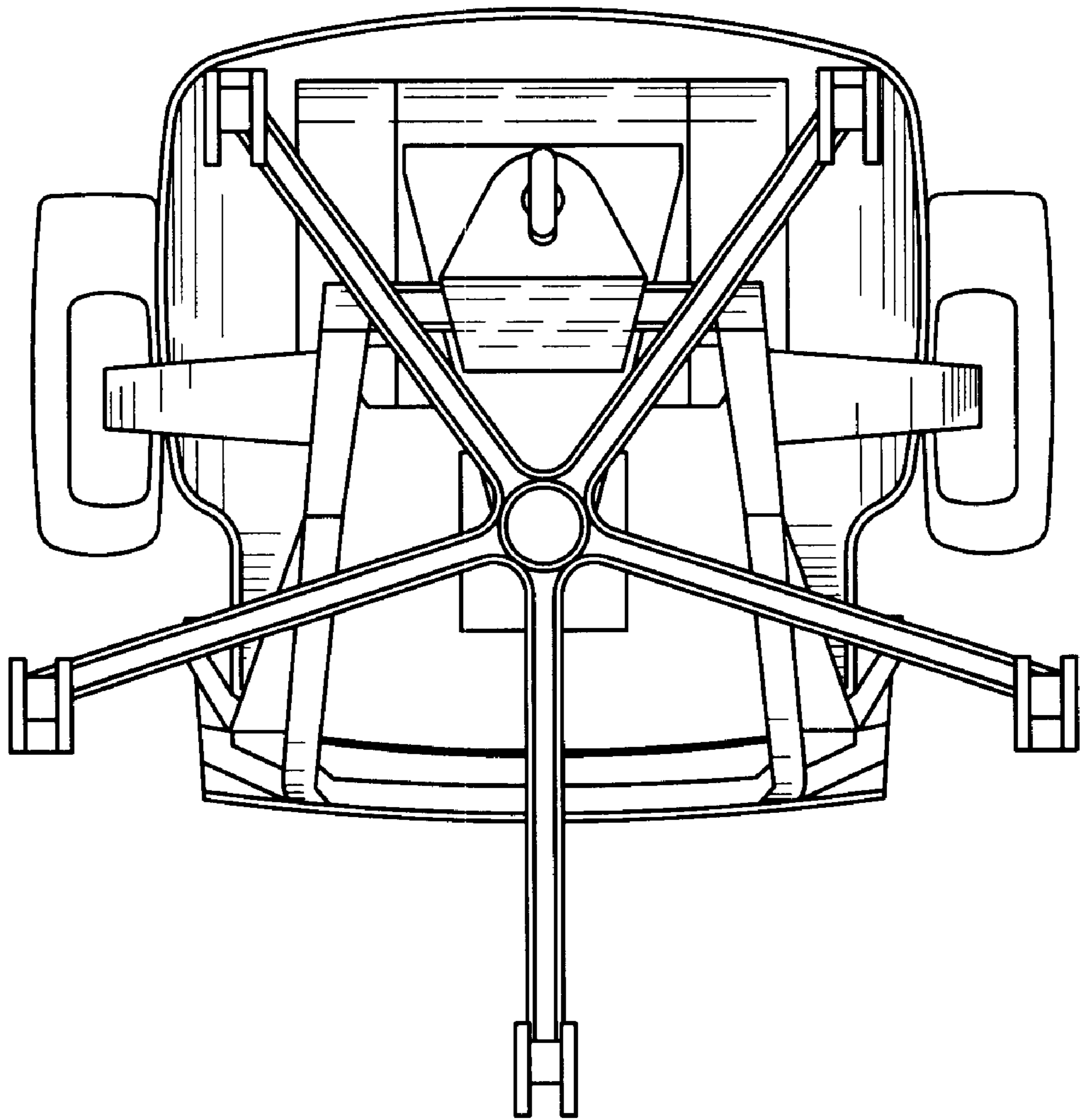


FIG.6