



US00D456621S

(12) **United States Design Patent** (10) **Patent No.:** **US D456,621 S**
Antunes et al. (45) **Date of Patent:** **** May 7, 2002**

(54) **CHAIR**

(75) Inventors: **Jose Antunes**, Downsview; **Harilaus Chelaidite**, North York, both of (CA)

(73) Assignee: **Global Total Office**, Downsview (CA)

(**) Term: **14 Years**

(21) Appl. No.: **29/139,018**

(22) Filed: **Mar. 23, 2001**

(51) **LOC (7) Cl.** **06-01**

(52) **U.S. Cl.** **D6/335; D6/367; D6/334**

(58) **Field of Search** **D6/334, 335, 336, D6/360, 364, 367, 371, 373, 381, 500-502; 297/68, 85, 232, 445.1, DIG. 7**

(56) **References Cited**

U.S. PATENT DOCUMENTS

2,944,595	A	*	7/1960	Barabas et al.	297/85
D228,988	S	*	11/1973	Long	D6/334
5,169,208	A	*	12/1992	Re et al.	297/68
5,954,392	A	*	9/1999	Liss et al.	297/85
D420,820	S	*	2/2000	Lewis et al.	D6/360
D430,411	S	*	9/2000	Zaidman	D6/334

* cited by examiner

Primary Examiner—Doris V. Coles

Assistant Examiner—Mimosa De

(74) *Attorney, Agent, or Firm*—Stephen M. Beney; Bereskin & Parr

(57) **CLAIM**

The ornamental Design for a chair, as described and shown.

DESCRIPTION

FIG. 1 is a perspective view from the front and one side of a regular position of the chair;

FIG. 2 is a perspective view from the rear and one side of the chair of FIG. 1;

FIG. 3 is a front elevation view of the chair of FIG. 1;

FIG. 4 is a side elevation view of the chair of FIG. 1;

FIG. 5 is an elevation view of the other side of the chair of FIG. 1;

FIG. 6 is a rear elevation view of the chair of FIG. 1;

FIG. 7 is a top plan view of the chair of FIG. 1;

FIG. 8 is a perspective view from the front and the one side of a reclined position of the chair;

FIG. 9 is a perspective view from the rear and the one side of the chair of FIG. 8;

FIG. 10 is a front elevation view of the chair of FIG. 8;

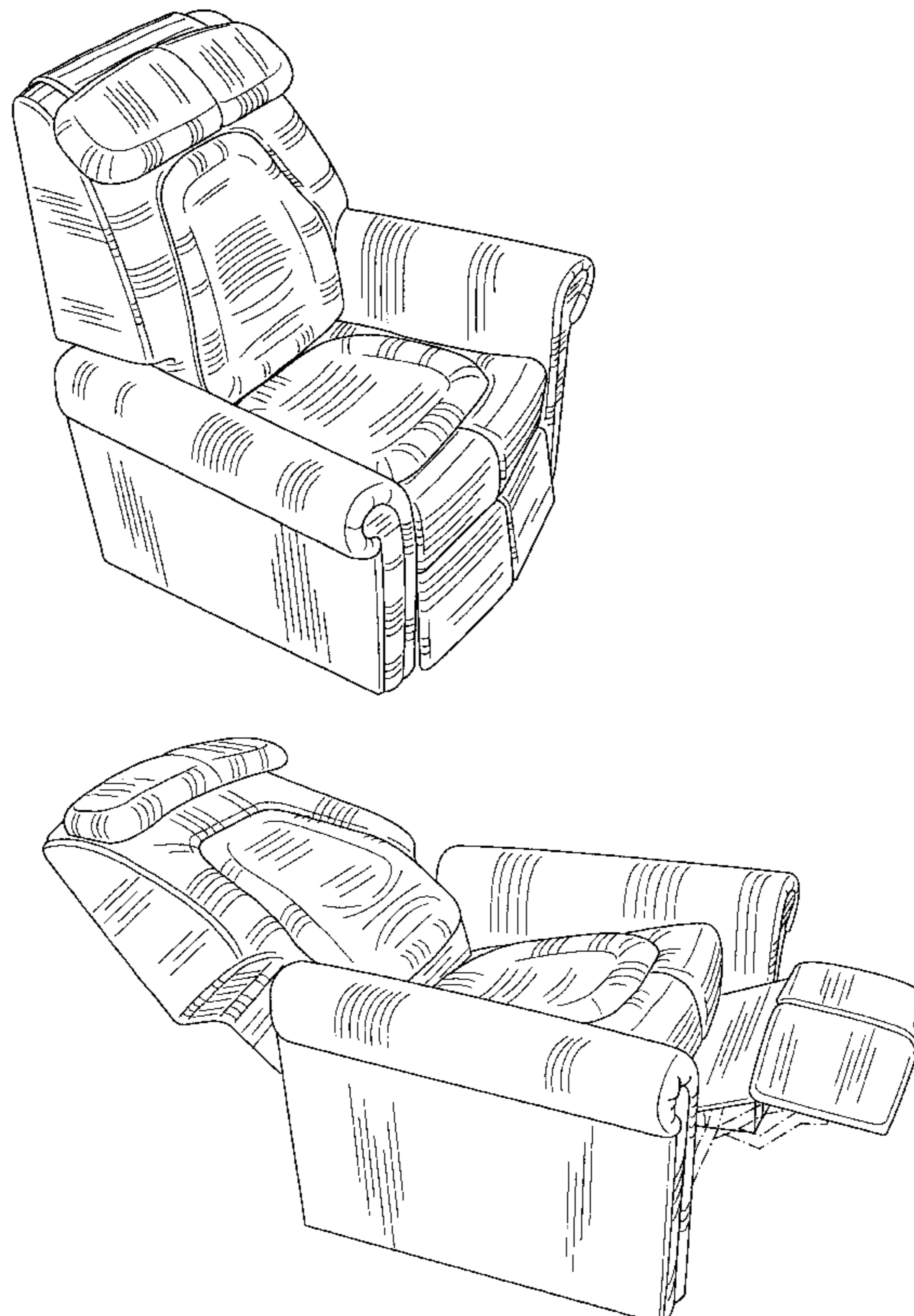
FIG. 11 is a side elevation view of the chair of FIG. 8;

FIG. 12 is an elevation view of the other side of the chair of FIG. 8;

FIG. 13 is a rear elevation view of the chair of FIG. 8; and, FIG. 14 is a top plan view of the chair of FIG. 8.

The broken line shown in FIGS. 3, 4, 5, 6, 8, 9, 10, 11, 12, and 13 is for illustrative purposes only and forms no part of the claimed design.

1 Claim, 14 Drawing Sheets



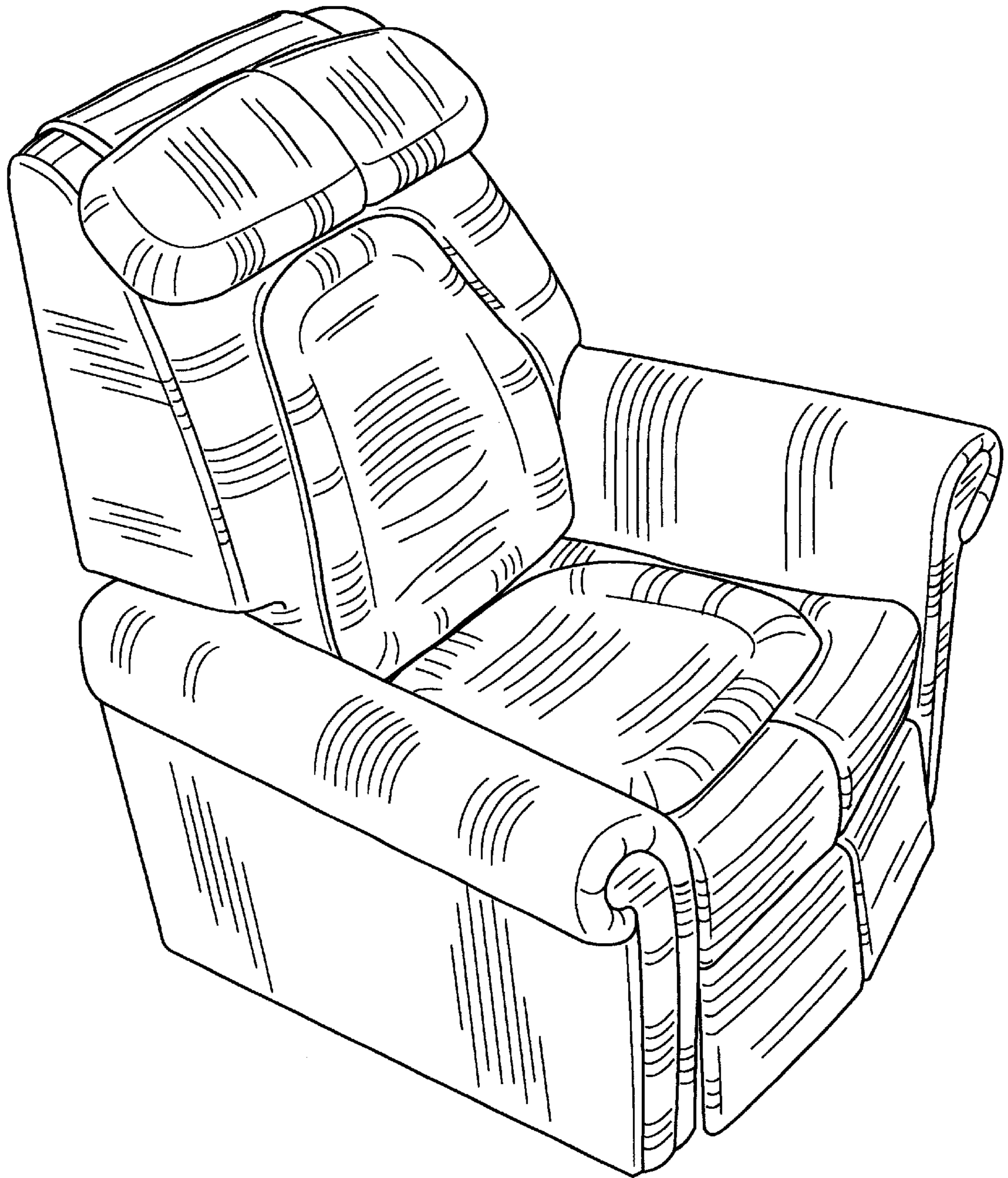


FIG. 1

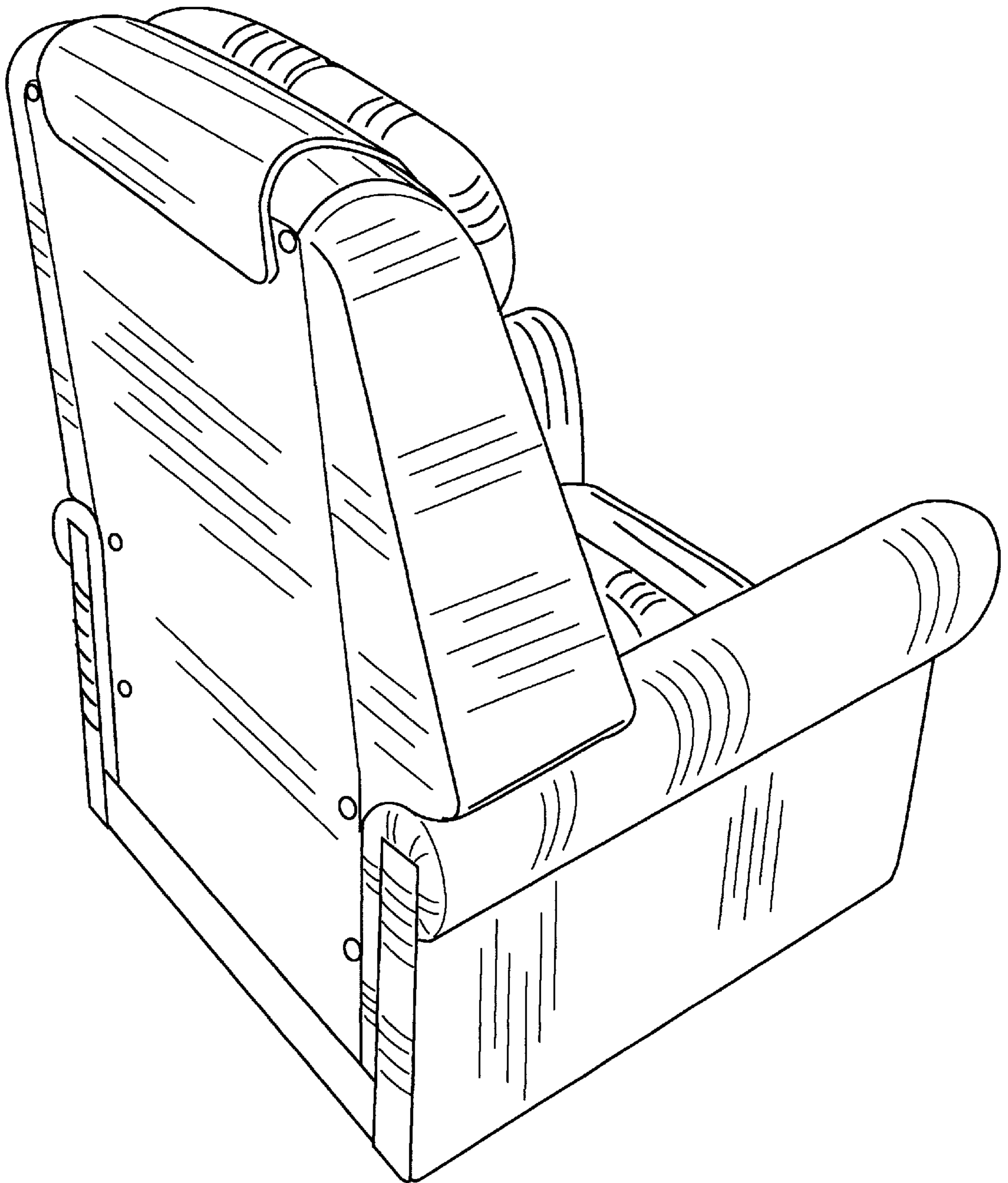


FIG. 2

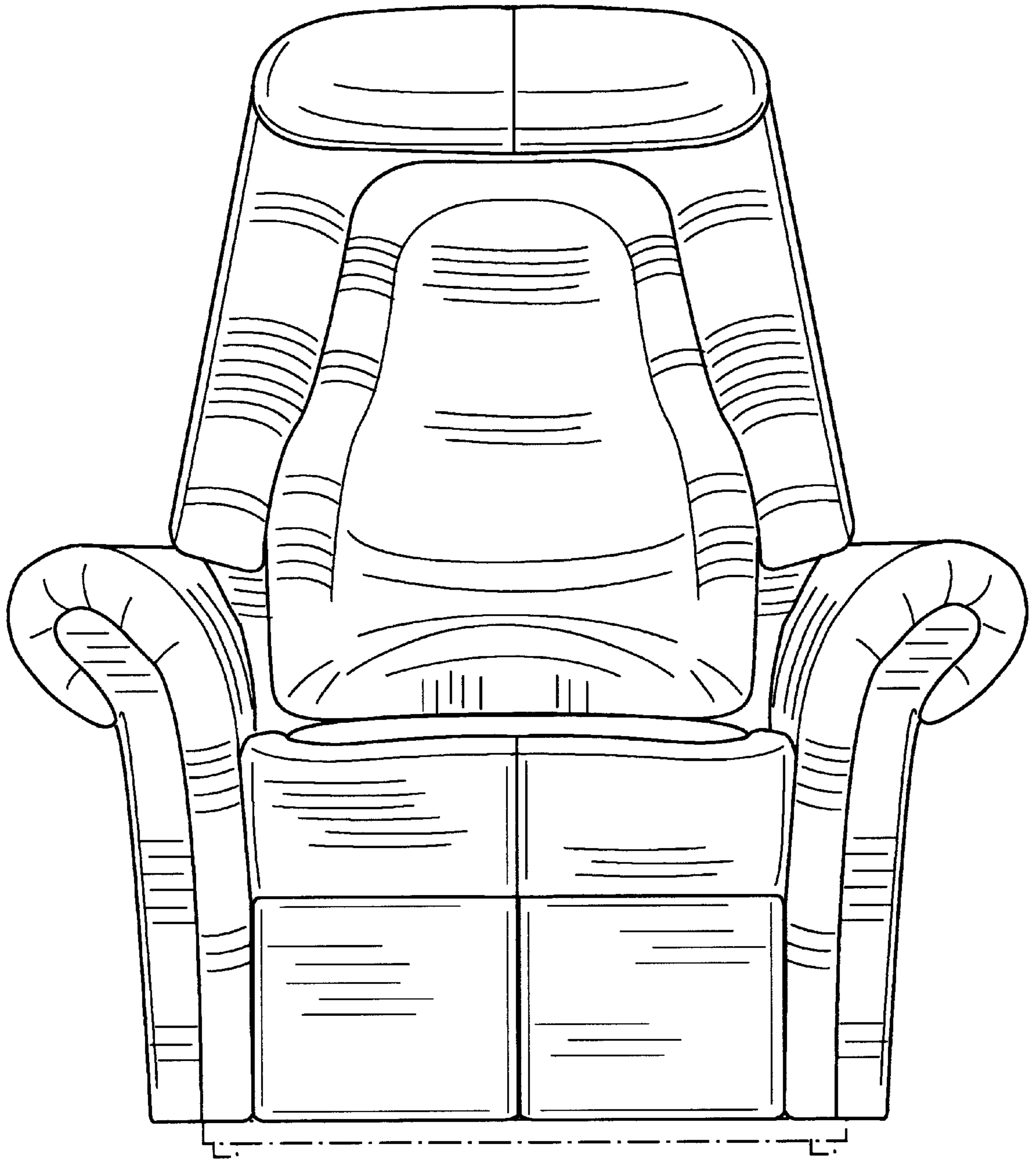


FIG. 3

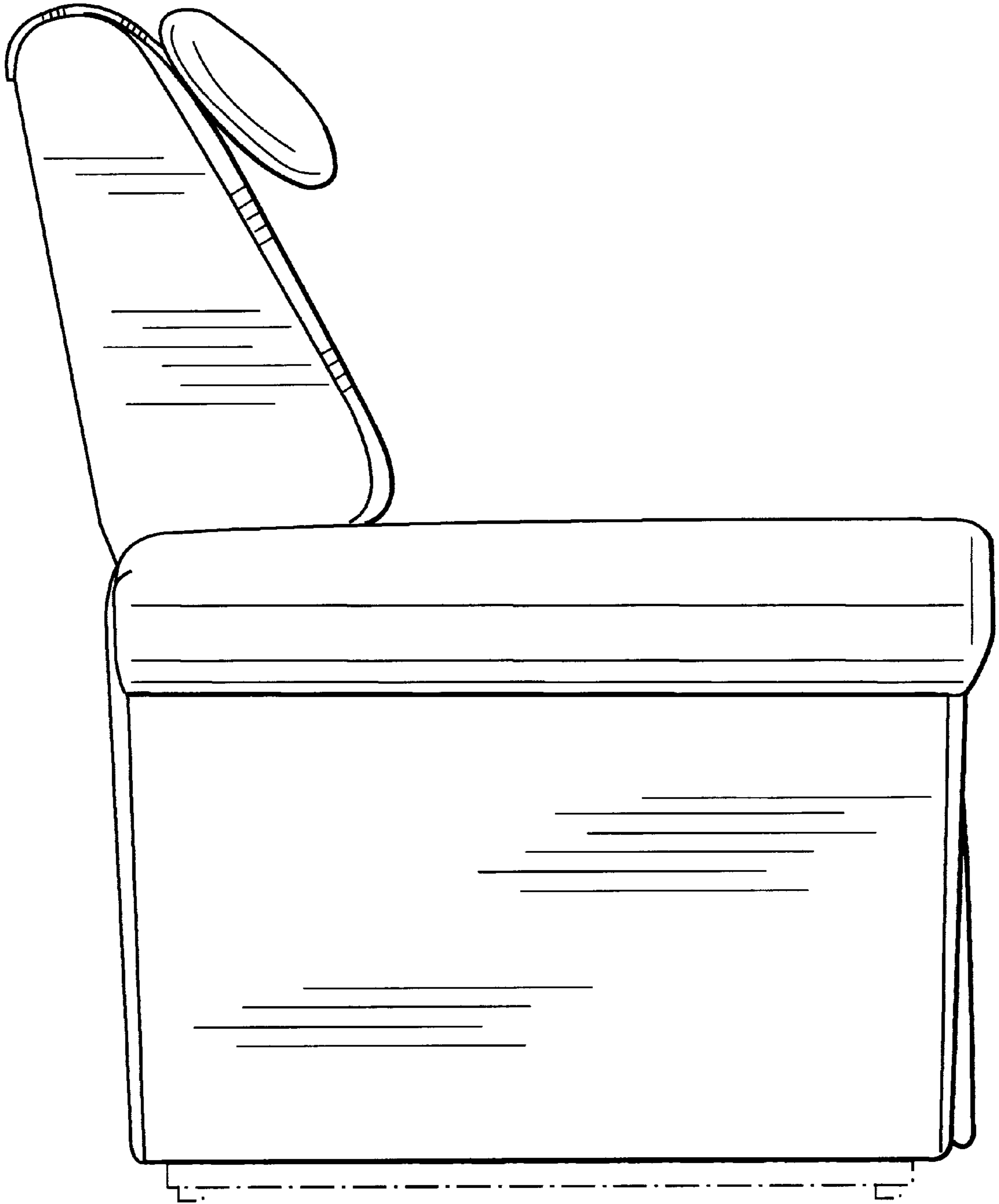


FIG. 4

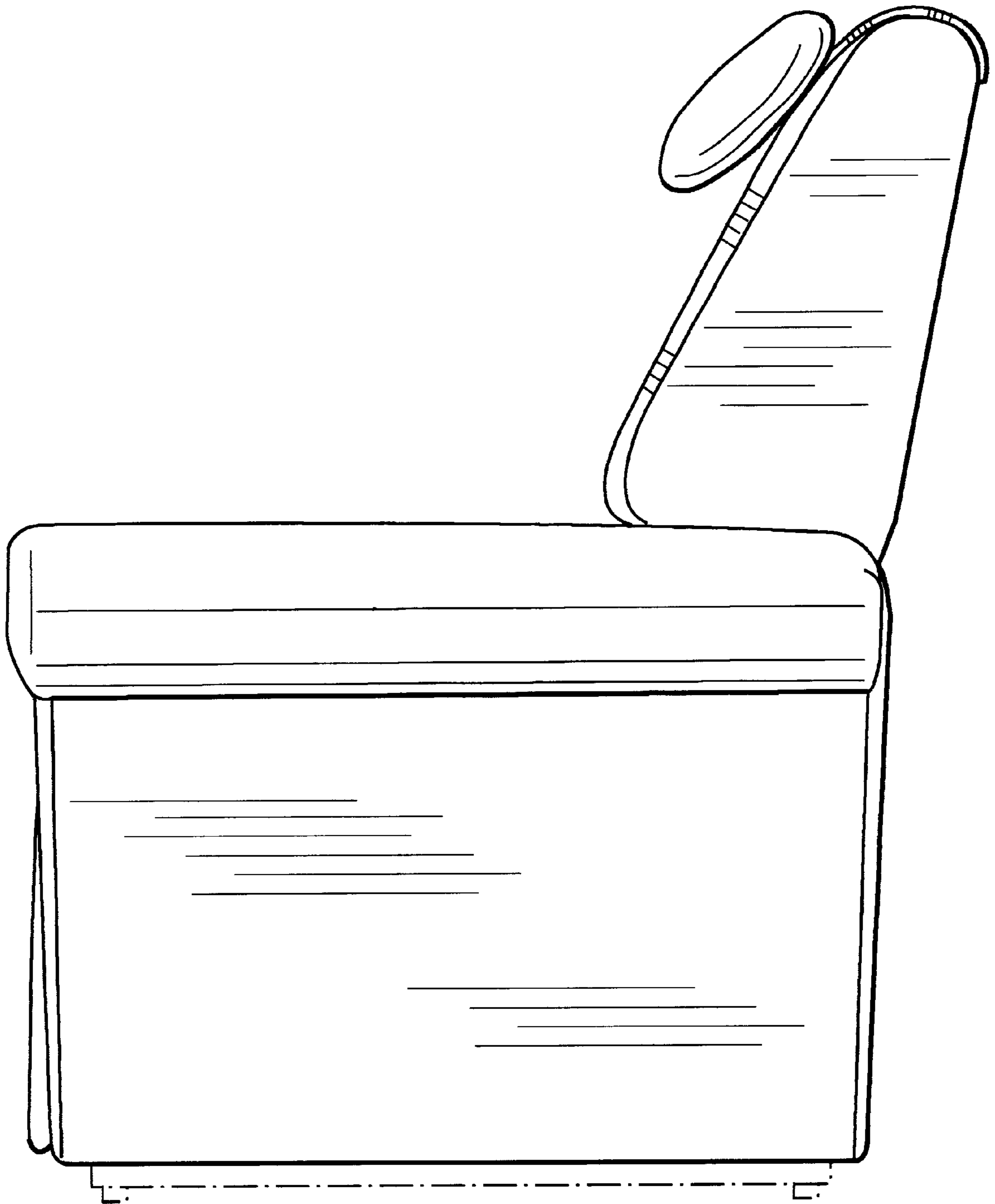


FIG. 5

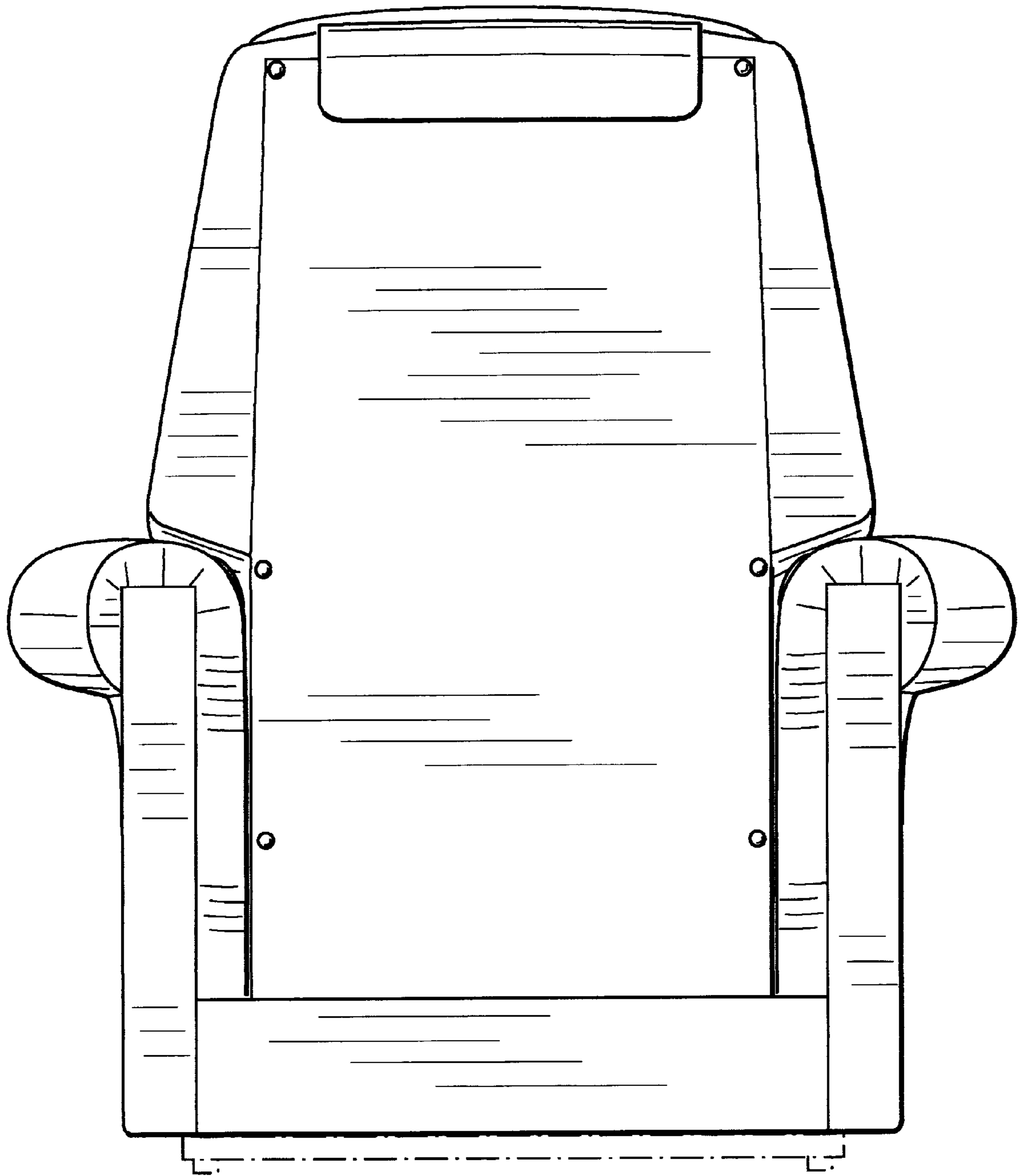


FIG. 6

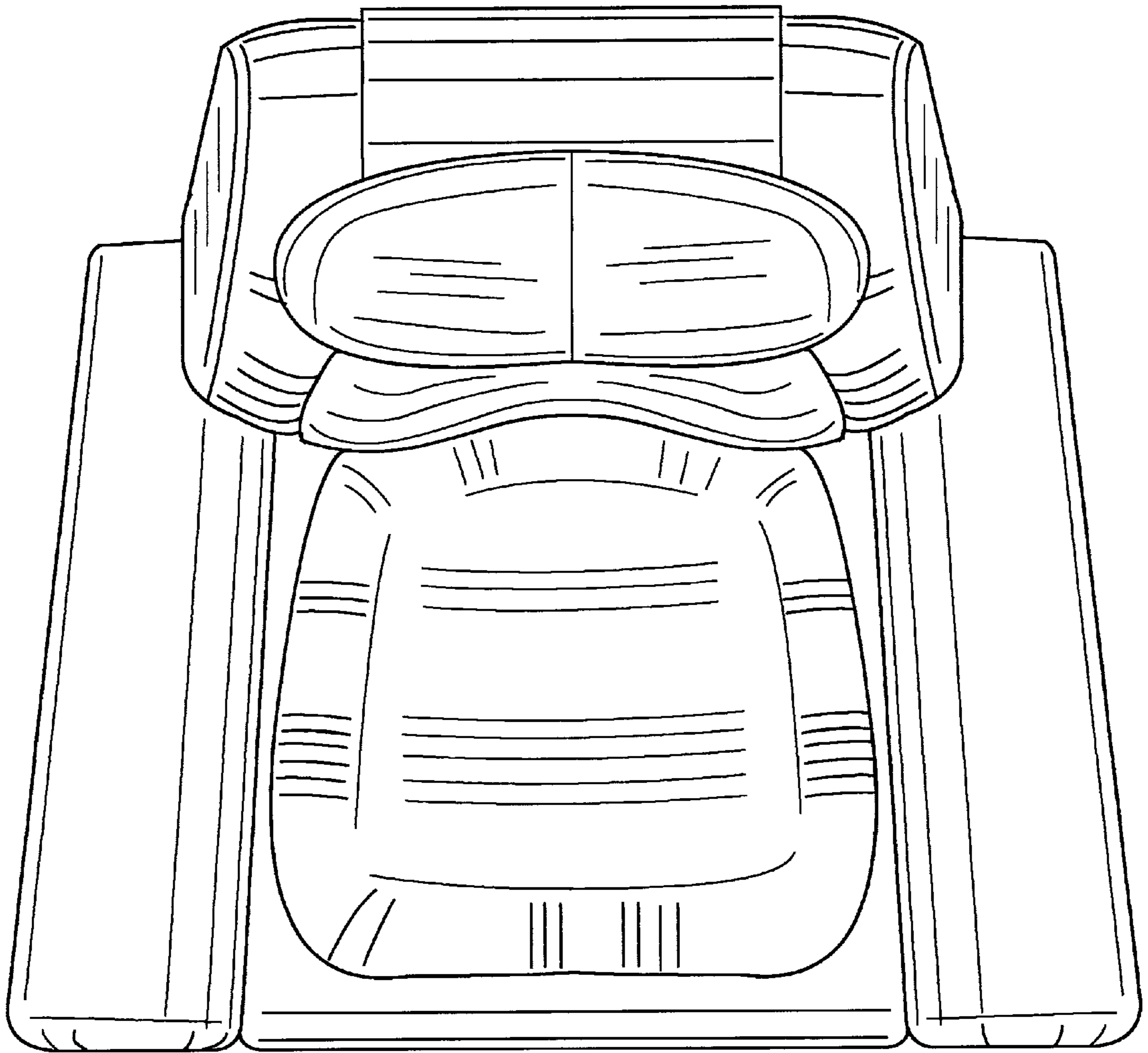


FIG. 7

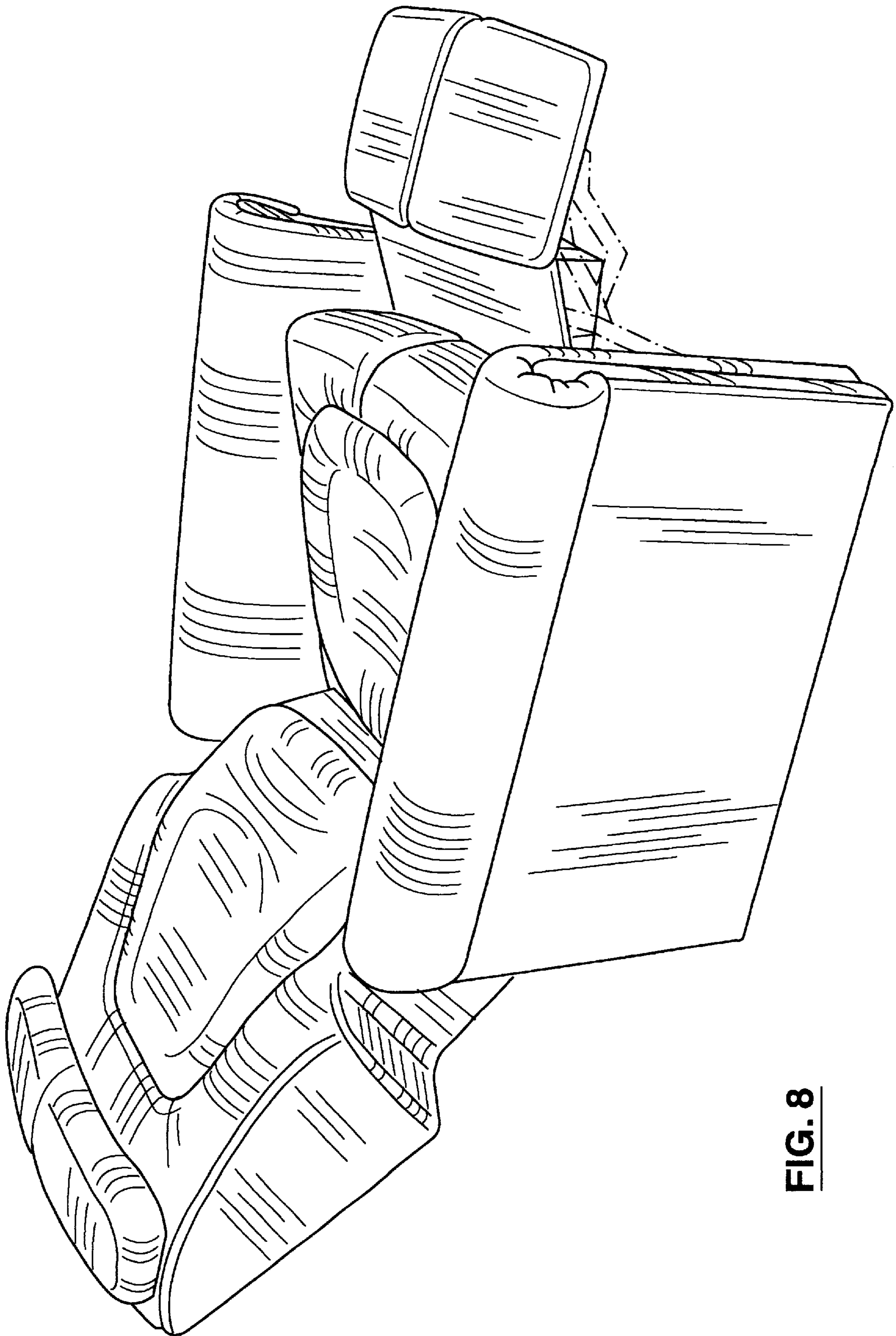


FIG. 8

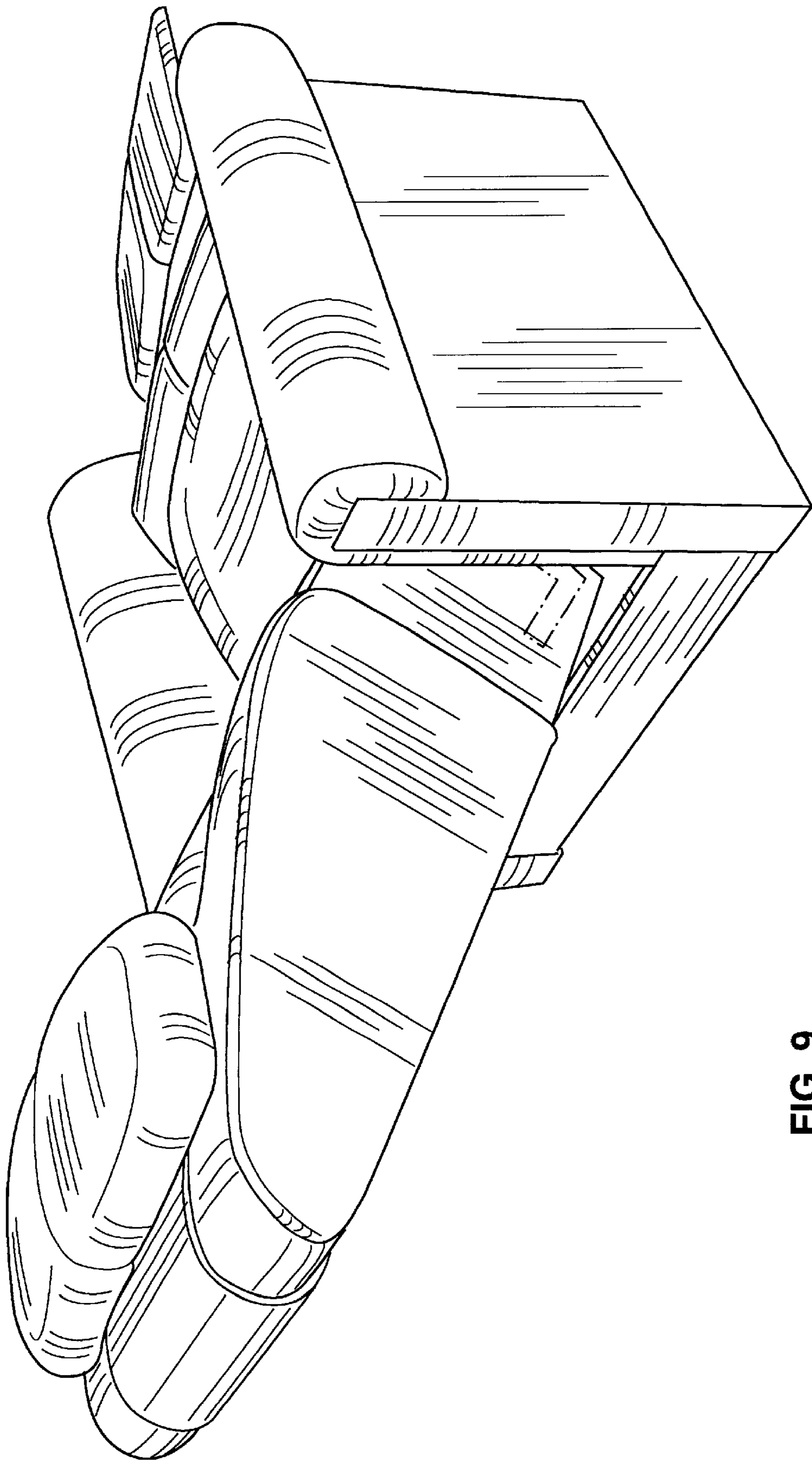


FIG. 9

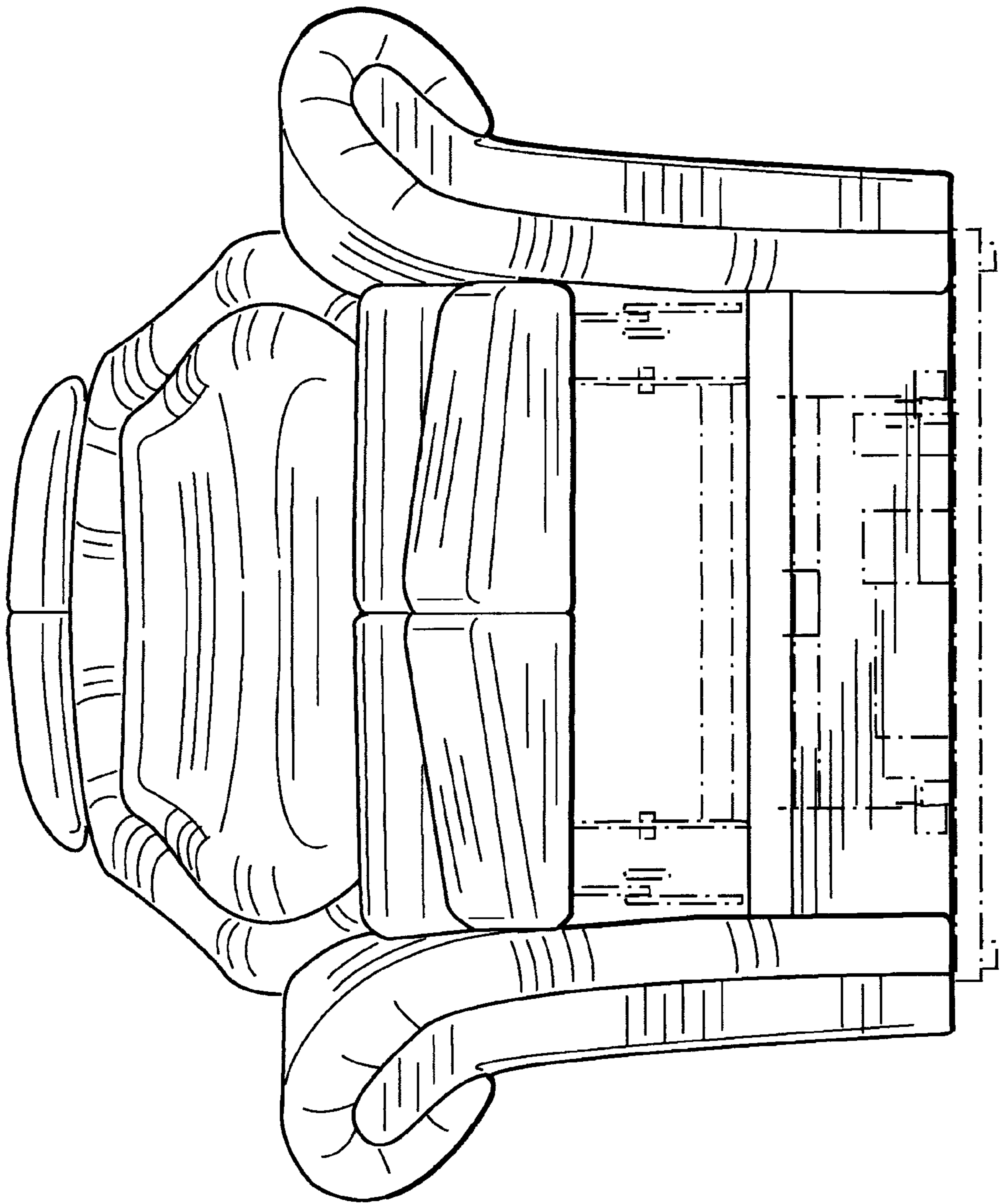


FIG. 10

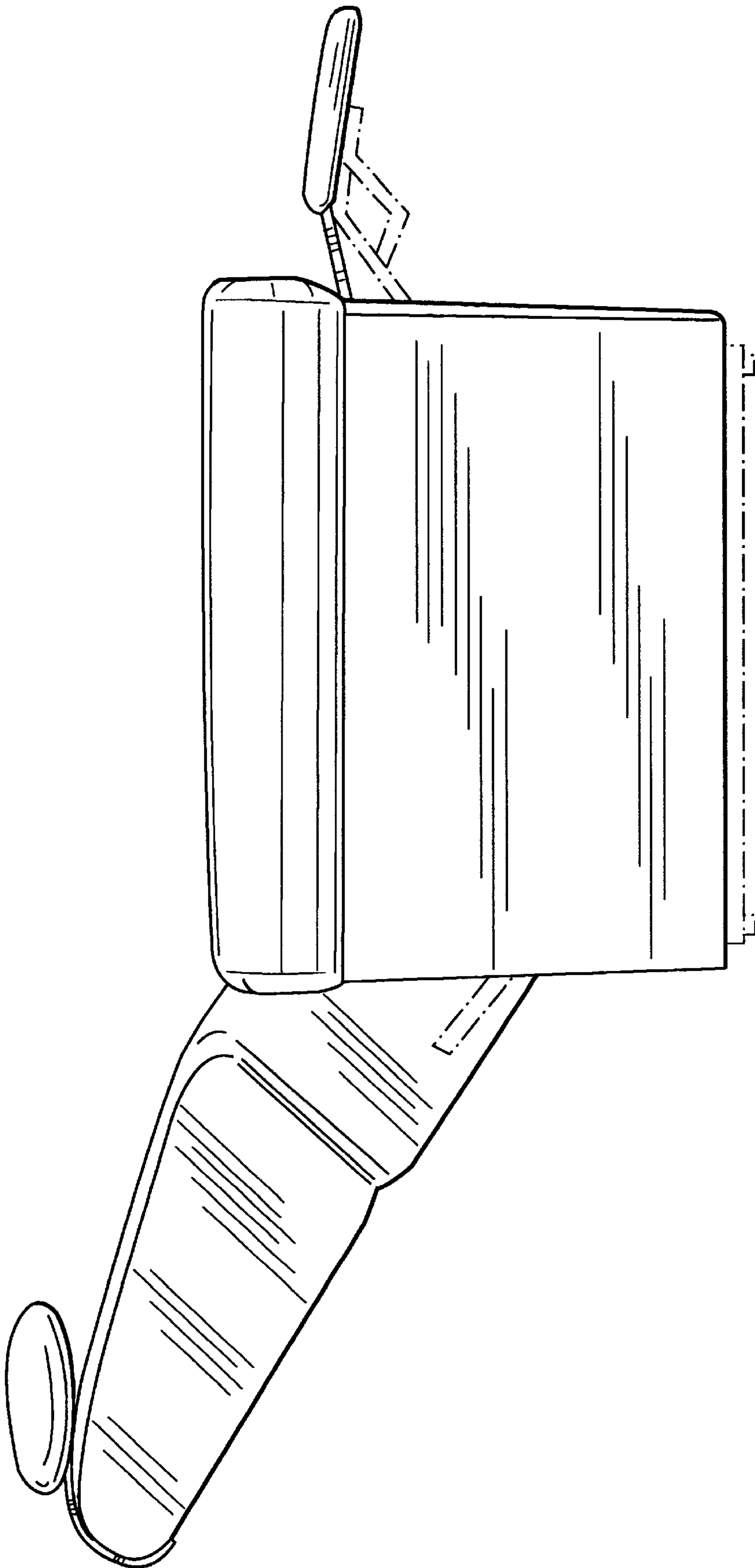


FIG. 11

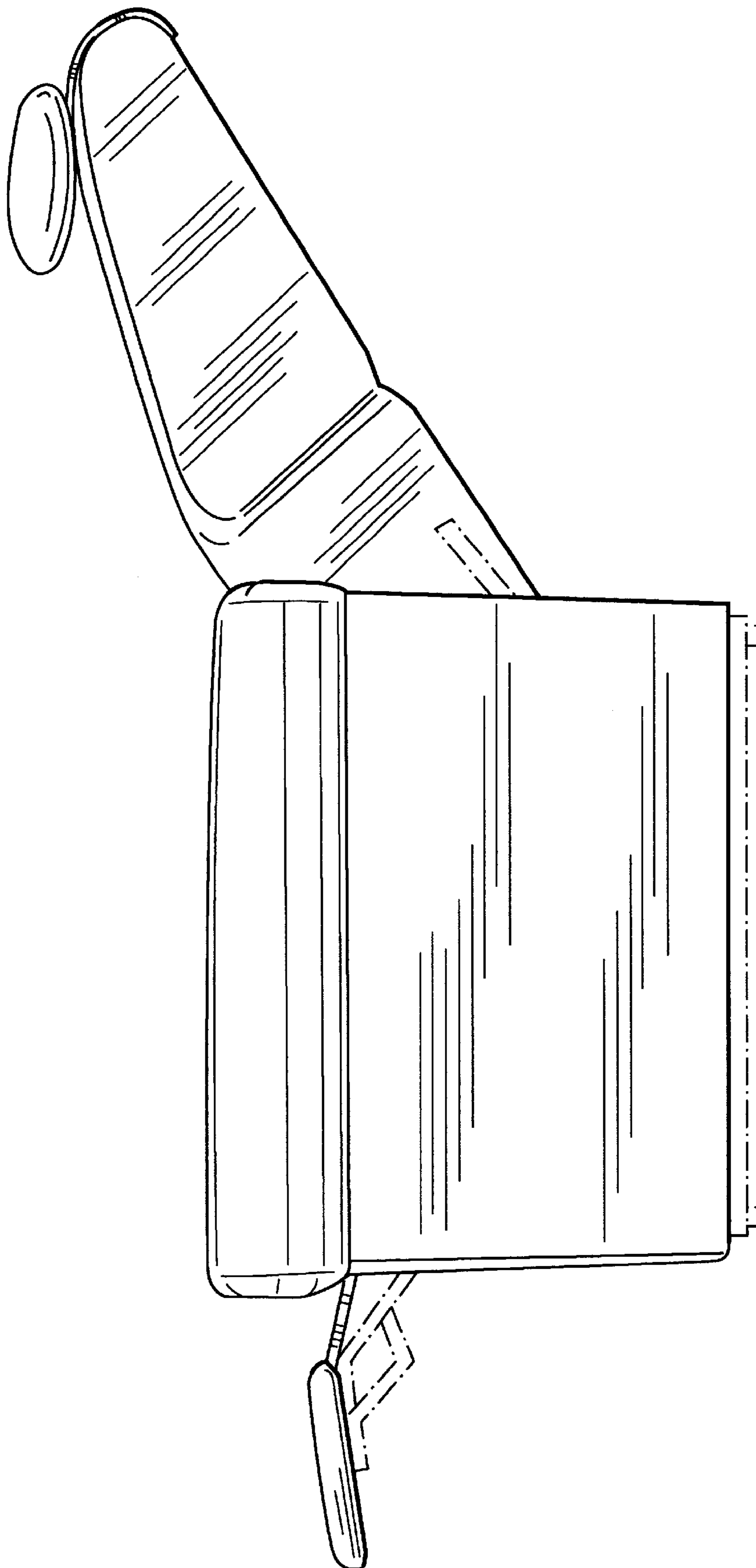


FIG. 12

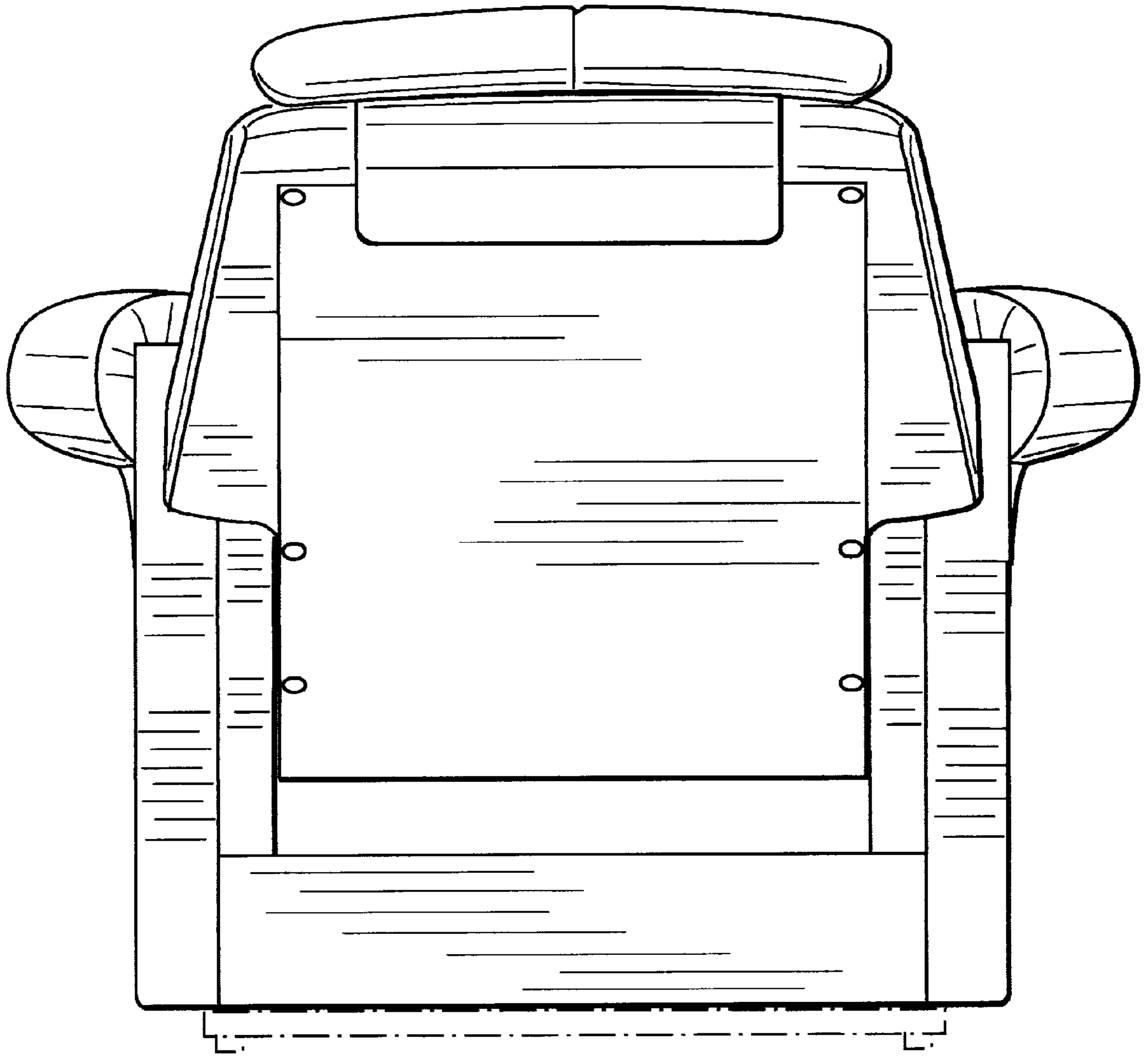


FIG. 13

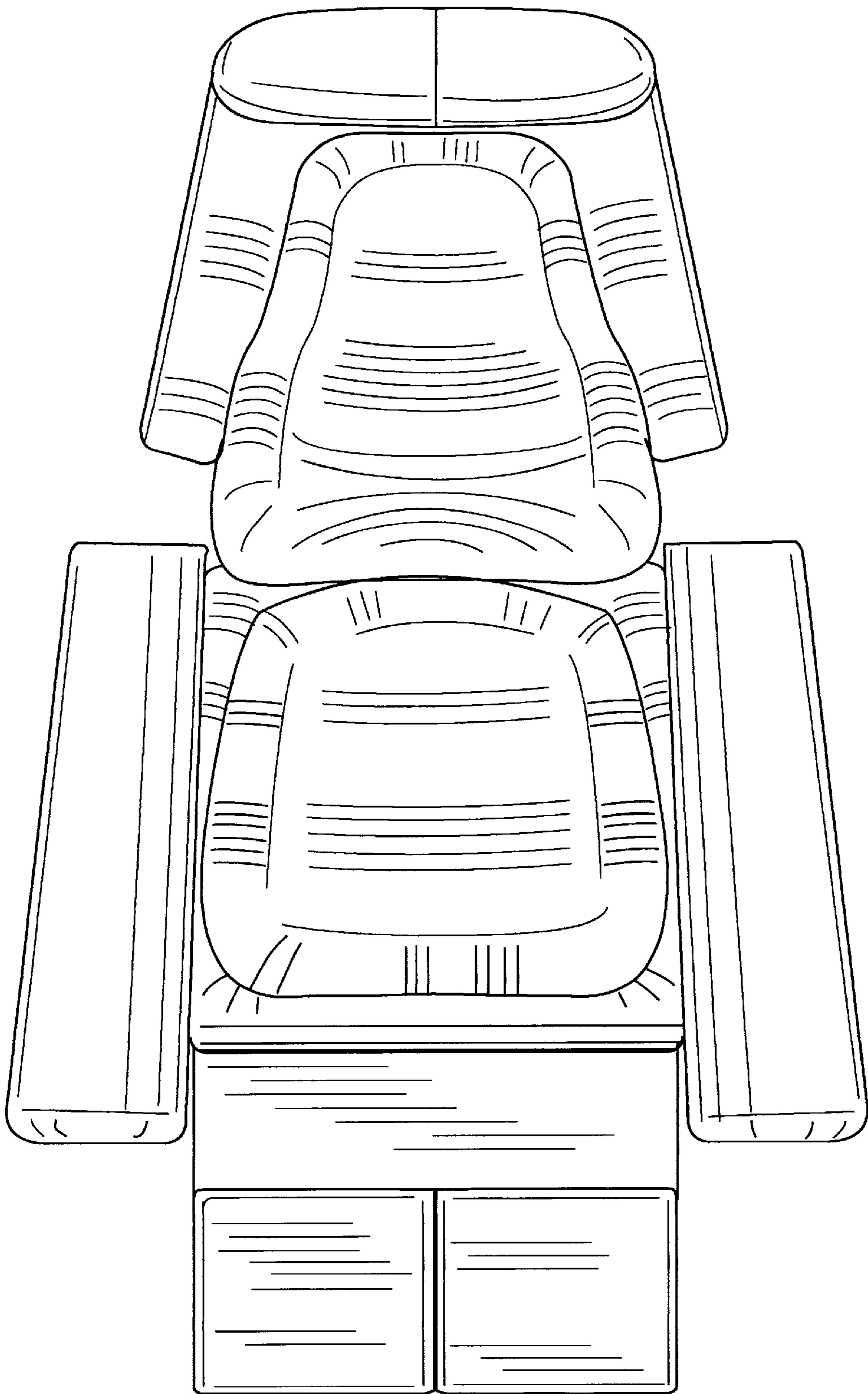


FIG. 14