



US00D456617S

(12) **United States Design Patent**  
**Libman**

(10) **Patent No.:** **US D456,617 S**

(45) **Date of Patent:** **\*\* May 7, 2002**

(54) **BROOM HEAD**

(75) Inventor: **Robert J. Libman**, Champaign, IL  
(US)

(73) Assignee: **The Libman Company**, Arcola, IL  
(US)

(\*\*) Term: **14 Years**

(21) Appl. No.: **29/124,452**

(22) Filed: **Jun. 6, 2000**

(51) **LOC (7) Cl.** ..... **04-99**

(52) **U.S. Cl.** ..... **D4/199**

(58) **Field of Search** ..... D4/132, 135, 199;  
D32/50; 15/159.1, 160, 168, 171, 175,  
176.1, 191.1, 192, 193

(56) **References Cited**

**U.S. PATENT DOCUMENTS**

D332,701 S	*	1/1993	Berti	.....	D4/199
D367,175 S	*	2/1996	Teufel et al.	.....	D4/132
D368,164 S	*	3/1996	Reeder	.....	D4/199

**FOREIGN PATENT DOCUMENTS**

JP 10-85164 \* 4/1998

\* cited by examiner

*Primary Examiner*—Alan P. Douglas

*Assistant Examiner*—Lavone Tabor

(74) *Attorney, Agent, or Firm*—Marshall, Gerstein, & Borun

(57) **CLAIM**

The ornamental design for a broom head, as shown and described.

**DESCRIPTION**

FIGS. 1 and 2 are perspective views of a broom head in accordance with the present invention;

FIG. 3 is a top view;

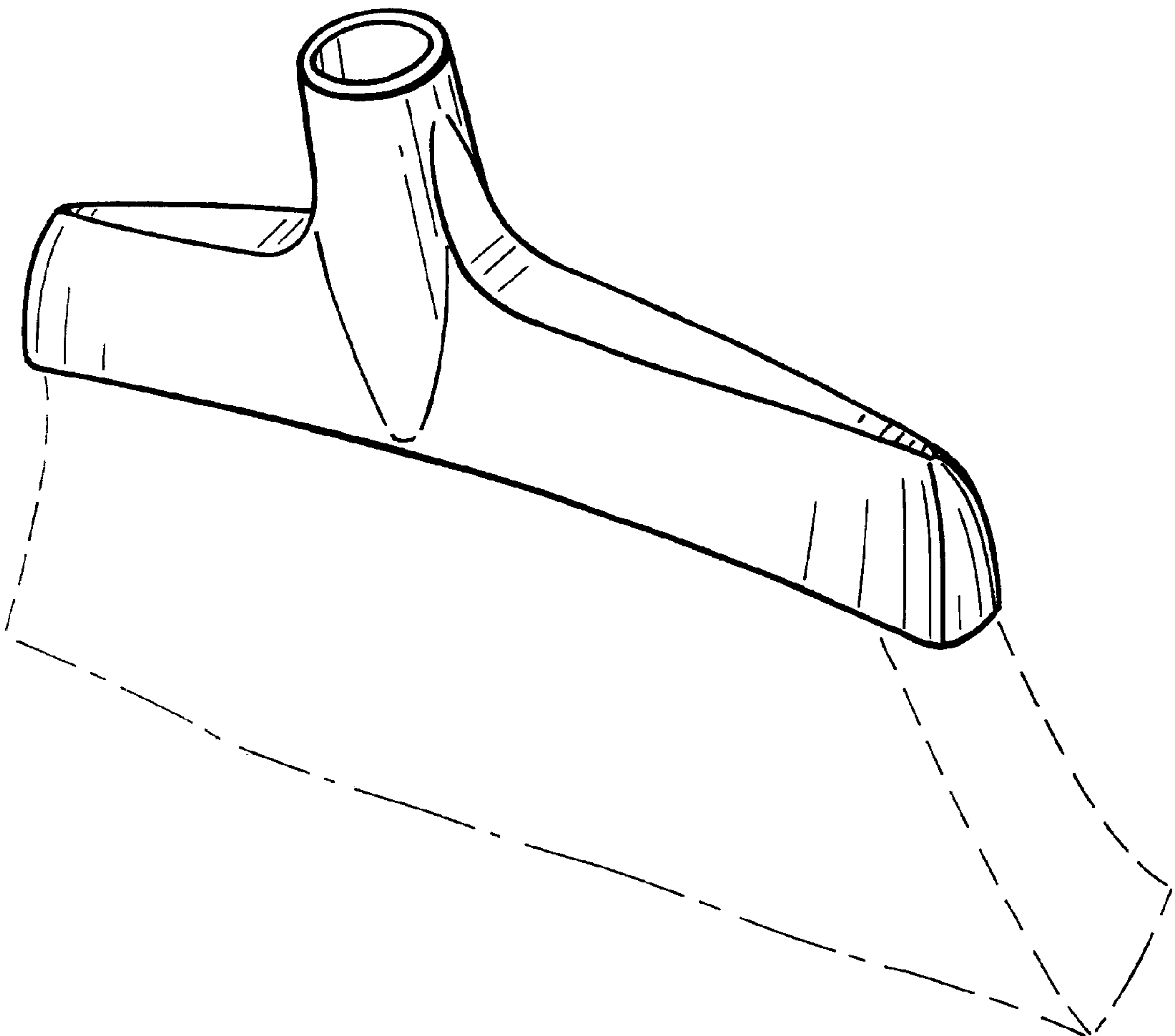
FIG. 4 is a front end view;

FIG. 5 is a side view, the opposite side being a mirror image thereof; and,

FIG. 6 is a back end view.

The broken lines showing bristles are for illustrative purposes only and form no part of the claimed design.

**1 Claim, 4 Drawing Sheets**



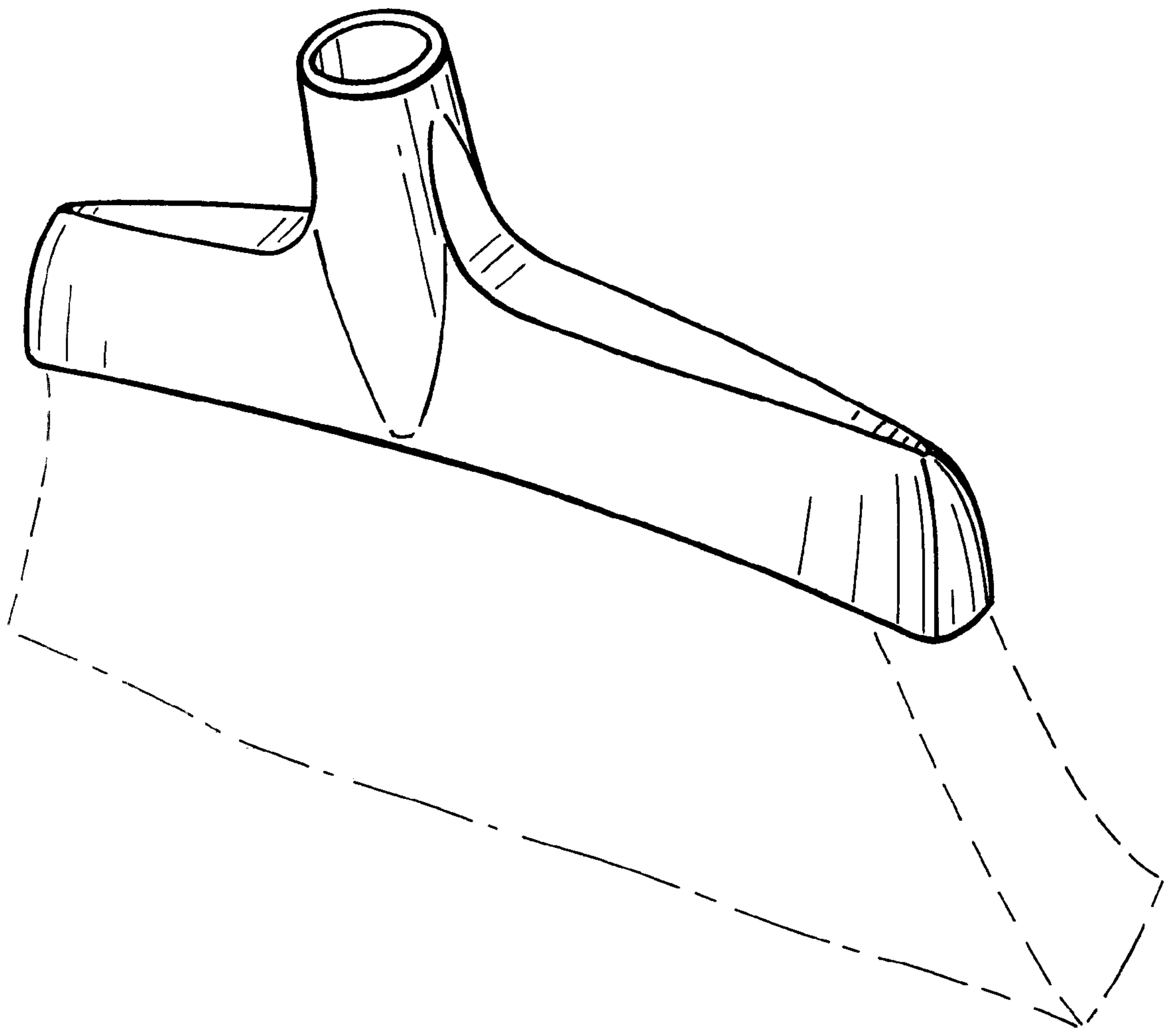


FIG. 1

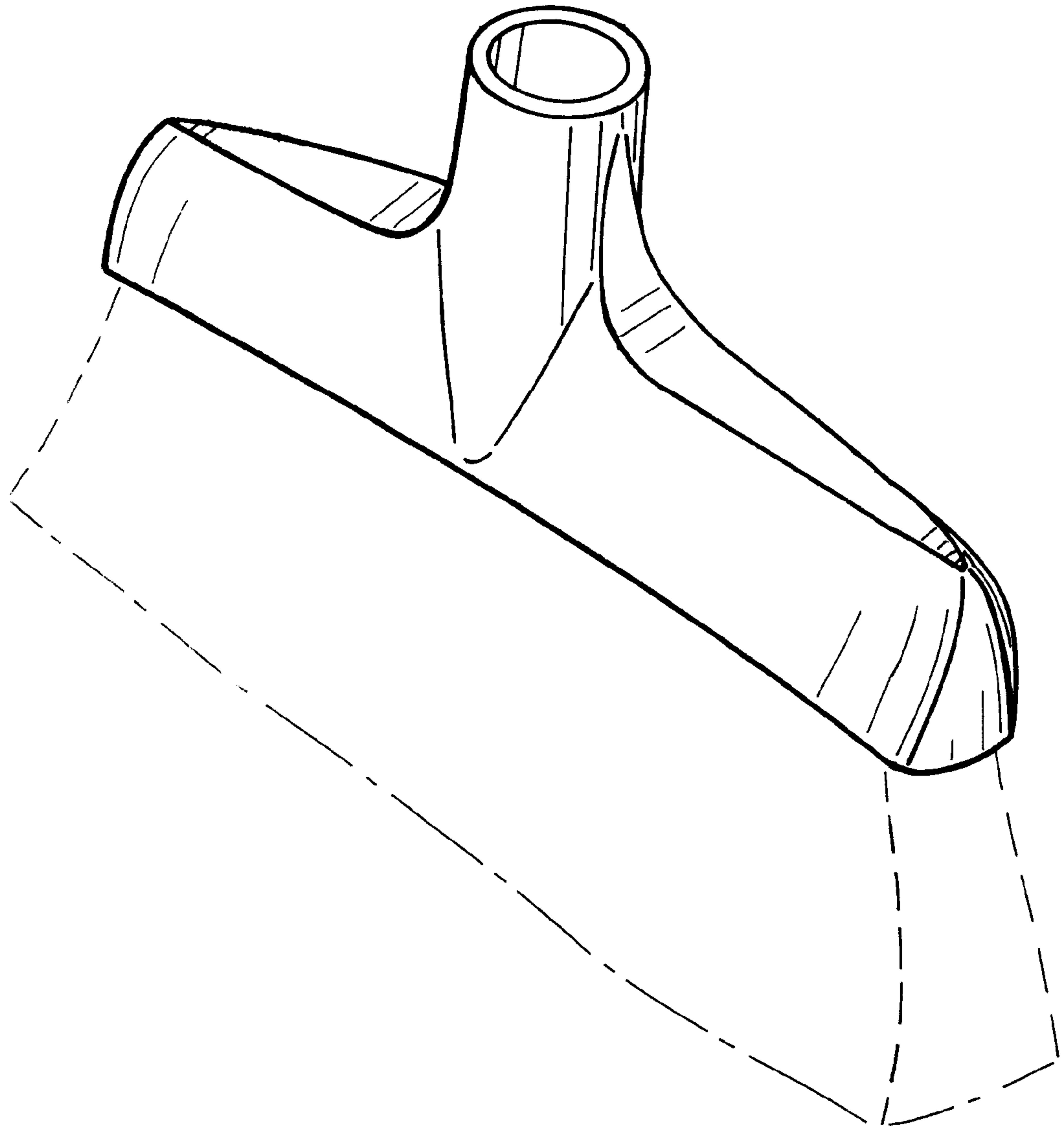


FIG. 2

FIG. 3

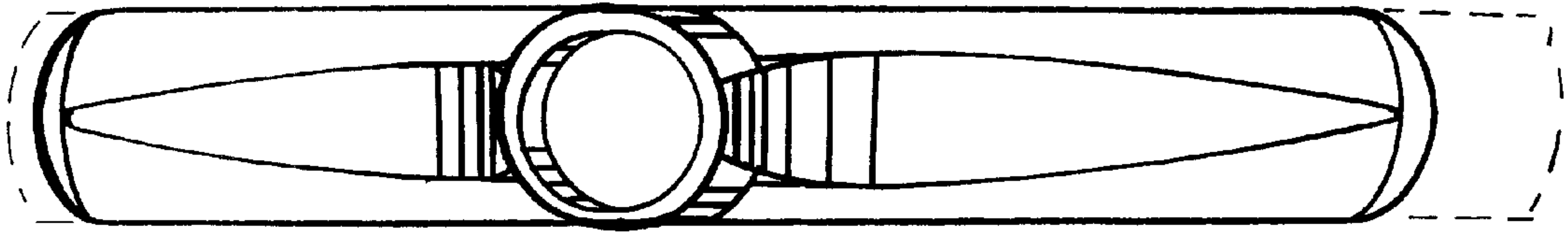


FIG. 4

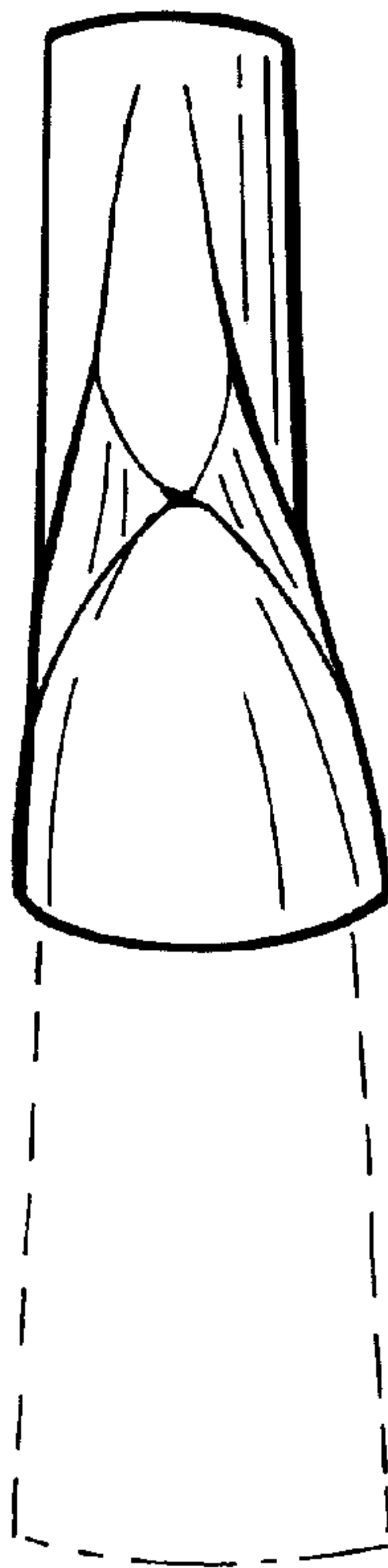


FIG. 5

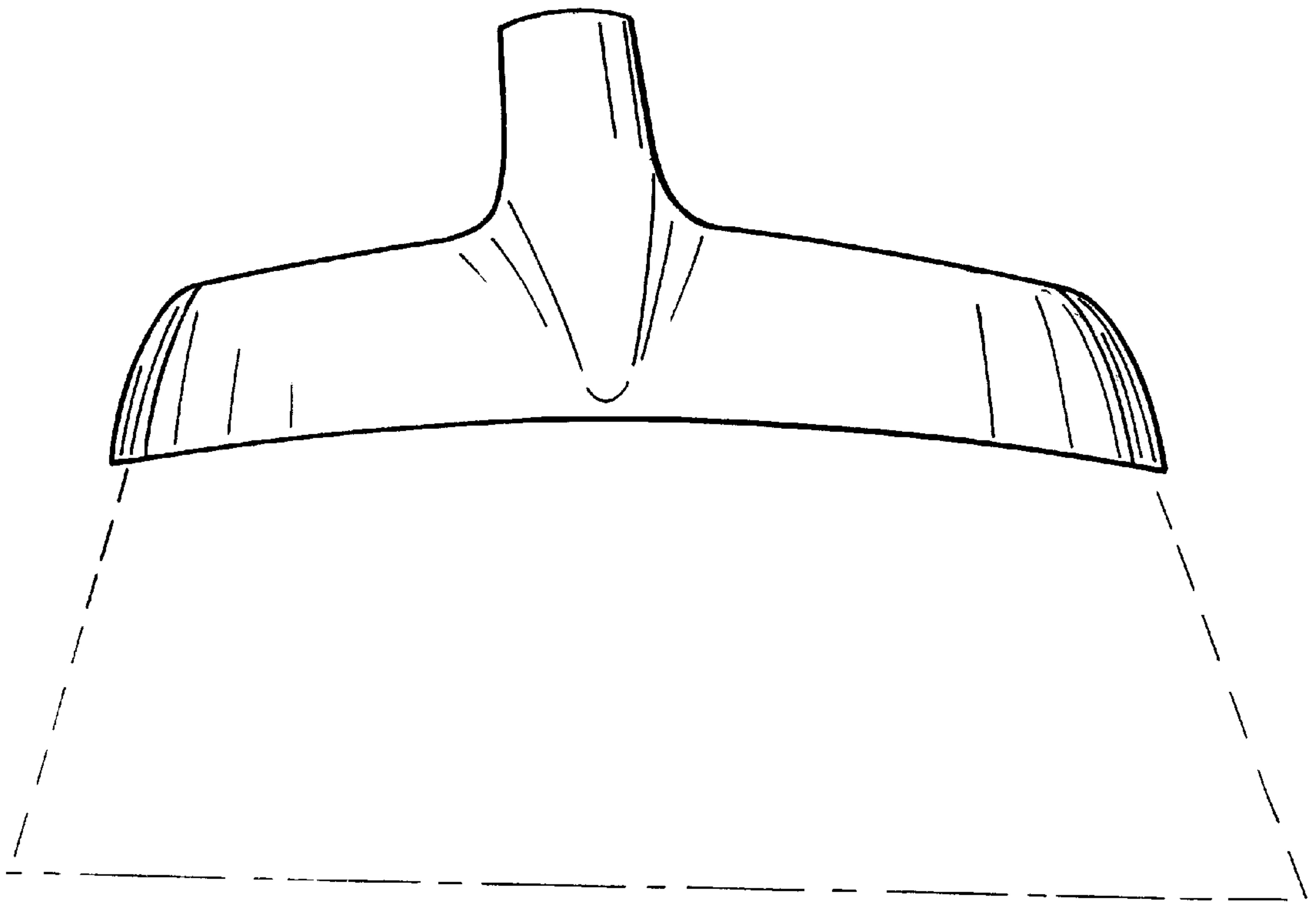
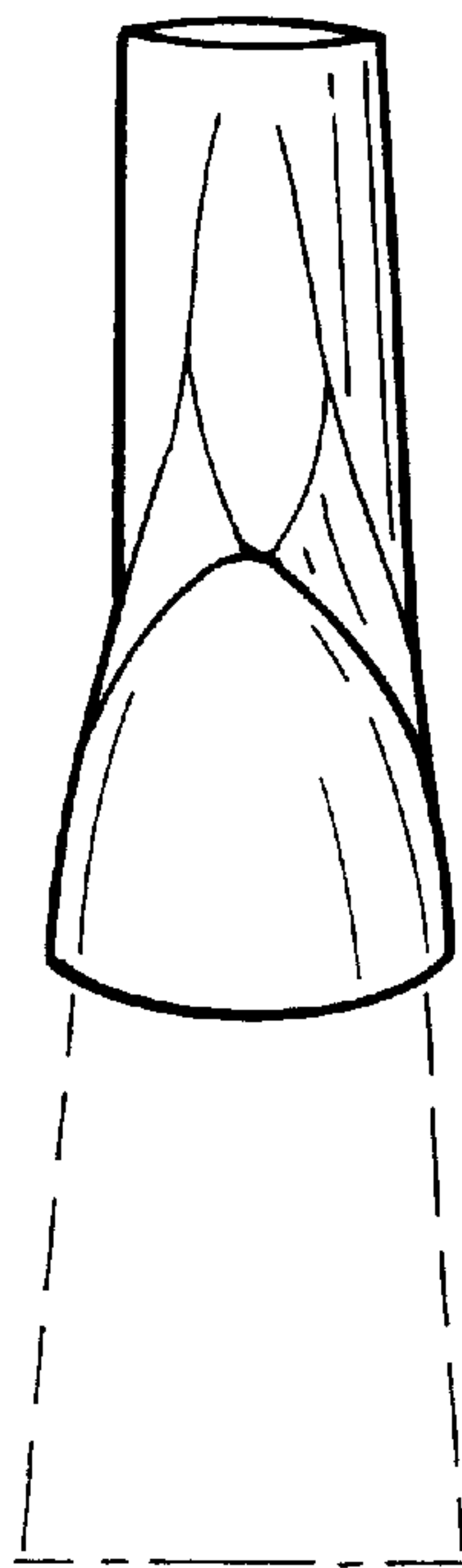


FIG. 6



UNITED STATES PATENT AND TRADEMARK OFFICE  
Certificate

Patent No. D 456,617 S

Patented: May 7, 2002

On petition requesting issuance of a certificate for correction of inventorship pursuant to 35 U.S.C. 256, it has been found that the above identified patent, through error and without any deceptive intent, improperly sets forth the inventorship.

Accordingly, it is hereby certified that the correct inventorship of this patent is: Robert J. Libman, Champaign, IL; and Enzo Berti, Venezia, Italy.

Signed and Sealed this First Day of April 2003.

ALAN P. DOUGLAS  
*Supervisory Patent Examiner*  
Art Unit 2911