



US00D456616S

(12) **United States Design Patent**  
**Amante**

(10) **Patent No.:** **US D456,616 S**

(45) **Date of Patent:** **\*\* May 7, 2002**

(54) **HAIRBRUSH**

(74) *Attorney, Agent, or Firm*—Collard & Roe, P.C.

(76) **Inventor:** **Jacqueline Amante**, 2608 Parkview Pl.,  
Baldwin, NY (US) 11510

(57) **CLAIM**

(\*\*) **Term:** **14 Years**

The ornamental design for a hairbrush, as shown and described.

(21) **Appl. No.:** **29/132,776**

**DESCRIPTION**

(22) **Filed:** **Nov. 15, 2000**

(51) **LOC (7) Cl.** ..... **04-02**

(52) **U.S. Cl.** ..... **D4/138; D4/133**

(58) **Field of Search** ..... D4/128, 133, 138,  
D4/136; 15/143.1, 159.1, 160, 186, 187;  
132/120, 212, 271, 313

FIG. 1 shows a perspective view of my design for a hairbrush;

FIG. 2 shows a top view thereof, with the bottom view being identical;

FIG. 3 shows a side view thereof, with the opposite side view being identical;

FIG. 4 shows a front end view thereof;

FIG. 5 shows a rear end view thereof;

FIG. 6 shows a perspective view of an alternative embodiment of my design for a hairbrush;

FIG. 7 shows a top view thereof, with the bottom view being identical;

FIG. 8 shows a side view thereof, with the opposite side view being identical;

FIG. 9 shows a front end view thereof; and,

FIG. 10 shows a rear end view thereof.

The bristles are shown in dotted lines and are for environmental purposes only. They form no part of the claimed invention.

(56) **References Cited**

**U.S. PATENT DOCUMENTS**

D366,567 S \* 1/1996 Gertsma et al. .... D4/136

D423,227 S \* 4/2000 Amante et al. .... D4/133

D438,388 S \* 3/2001 Cheung ..... D4/136

**FOREIGN PATENT DOCUMENTS**

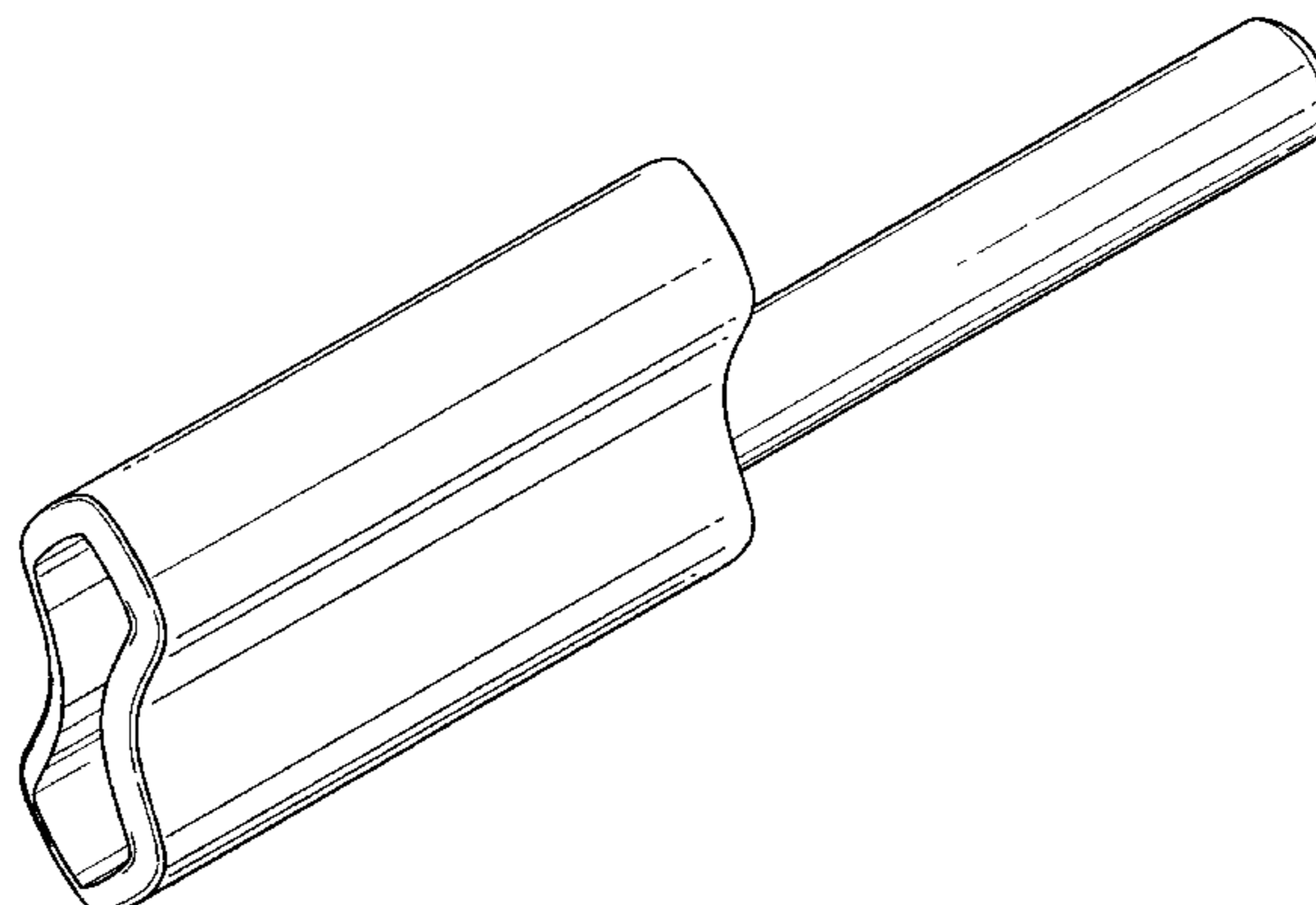
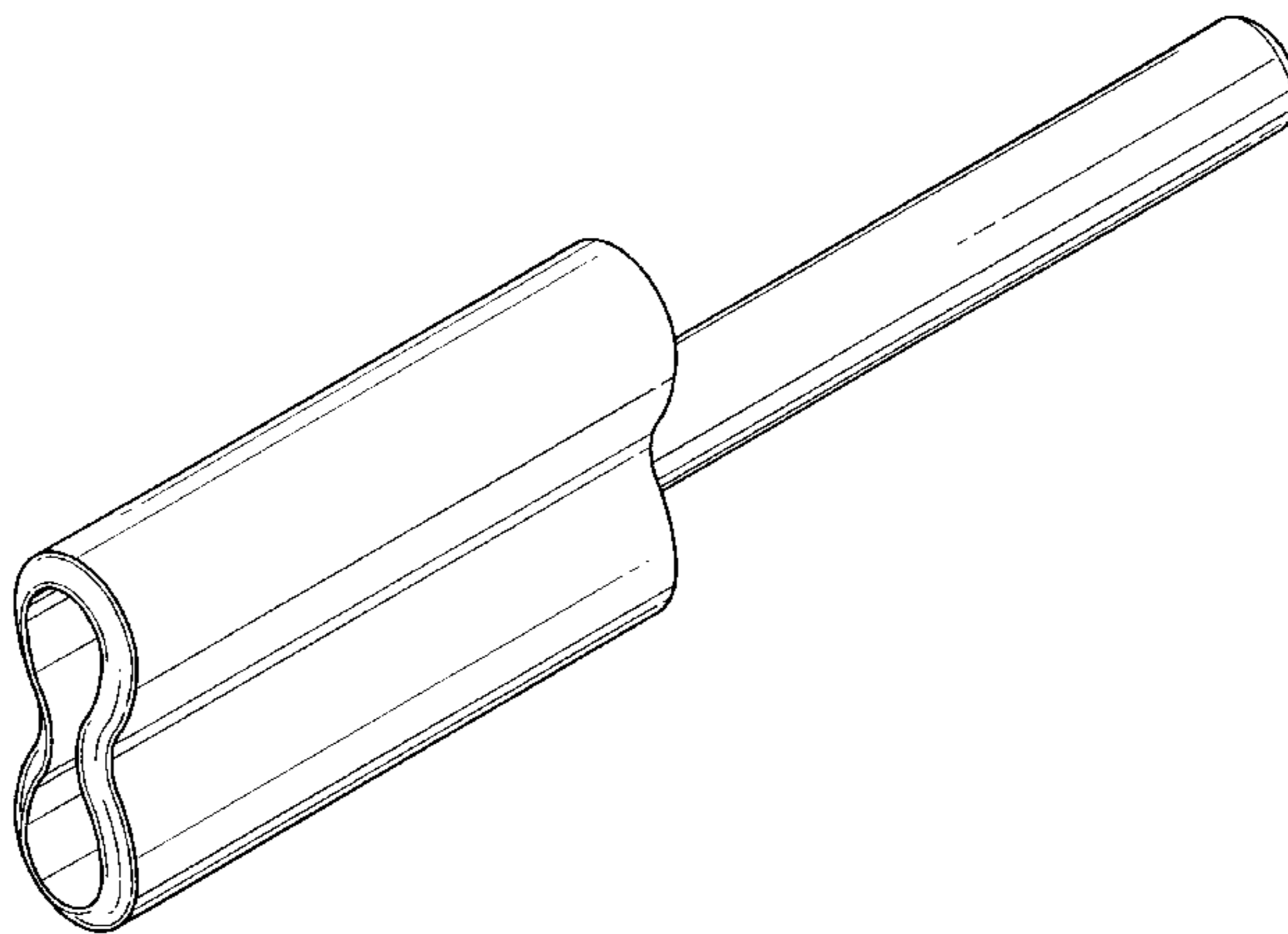
CH 661419 \* 7/1987 ..... A46B/5/00

\* cited by examiner

*Primary Examiner*—Alan P. Douglas

*Assistant Examiner*—Lavone Tabor

**1 Claim, 6 Drawing Sheets**



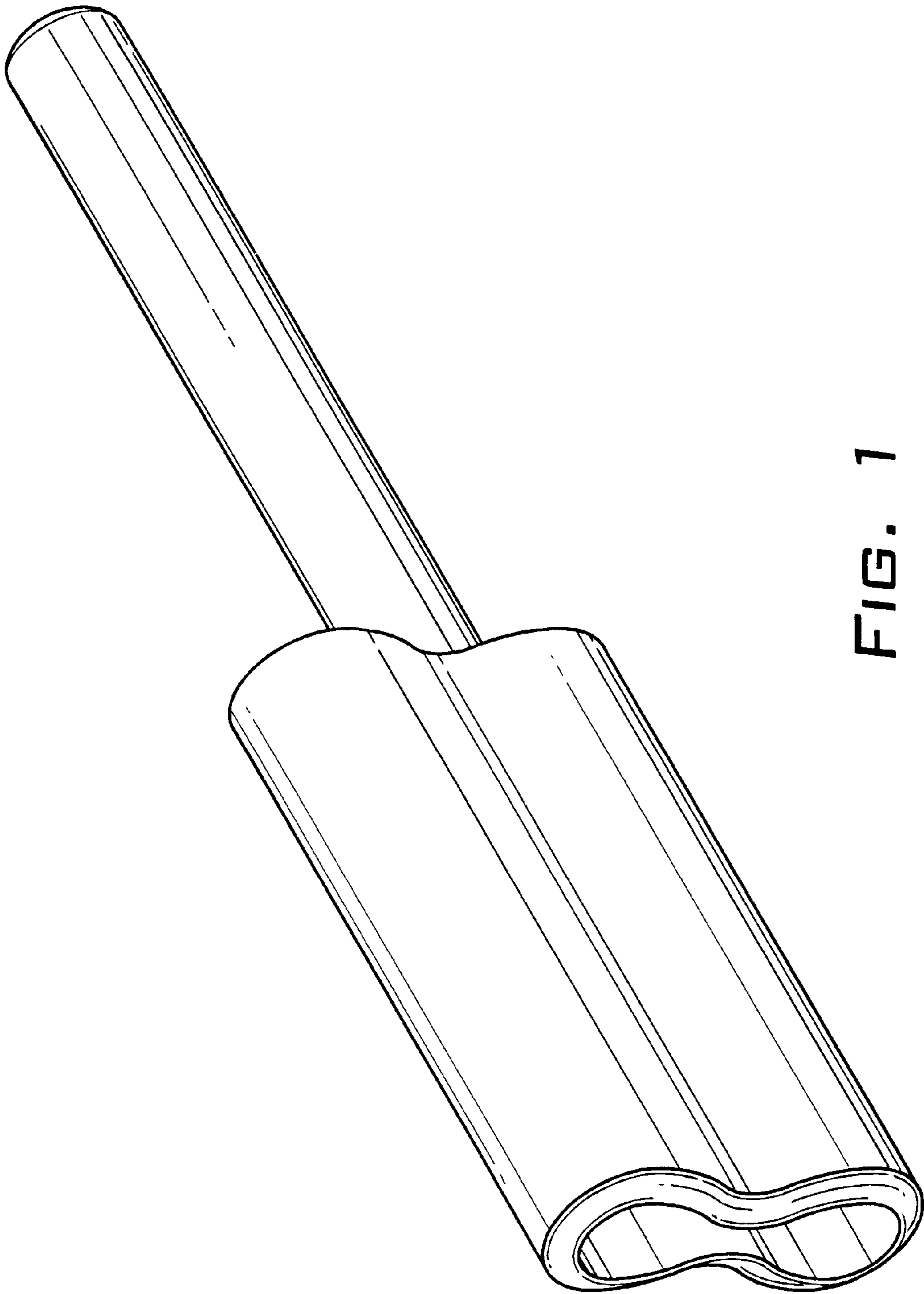


FIG. 1

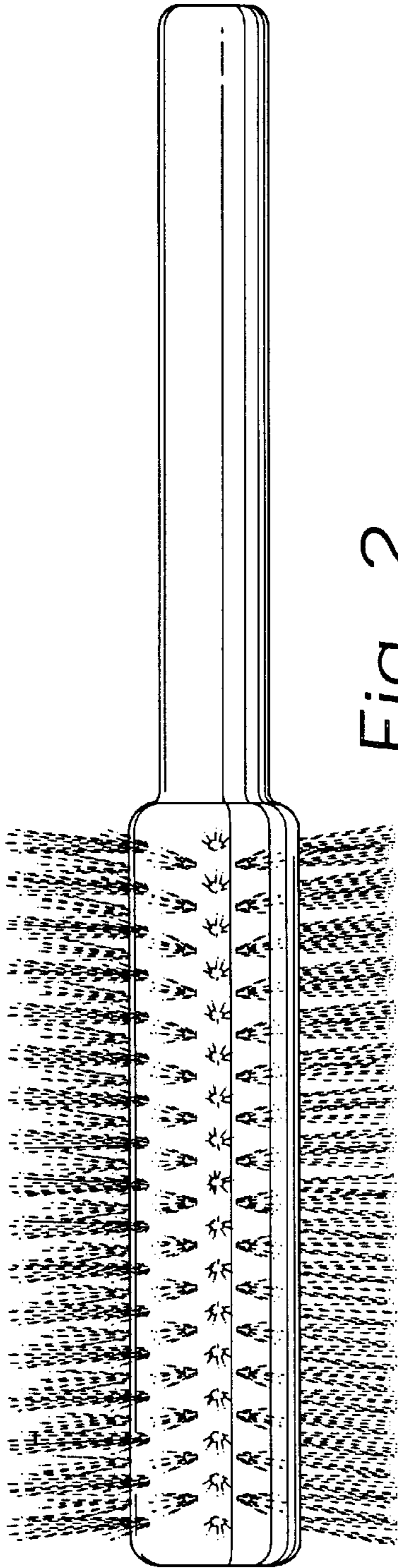


Fig. 2

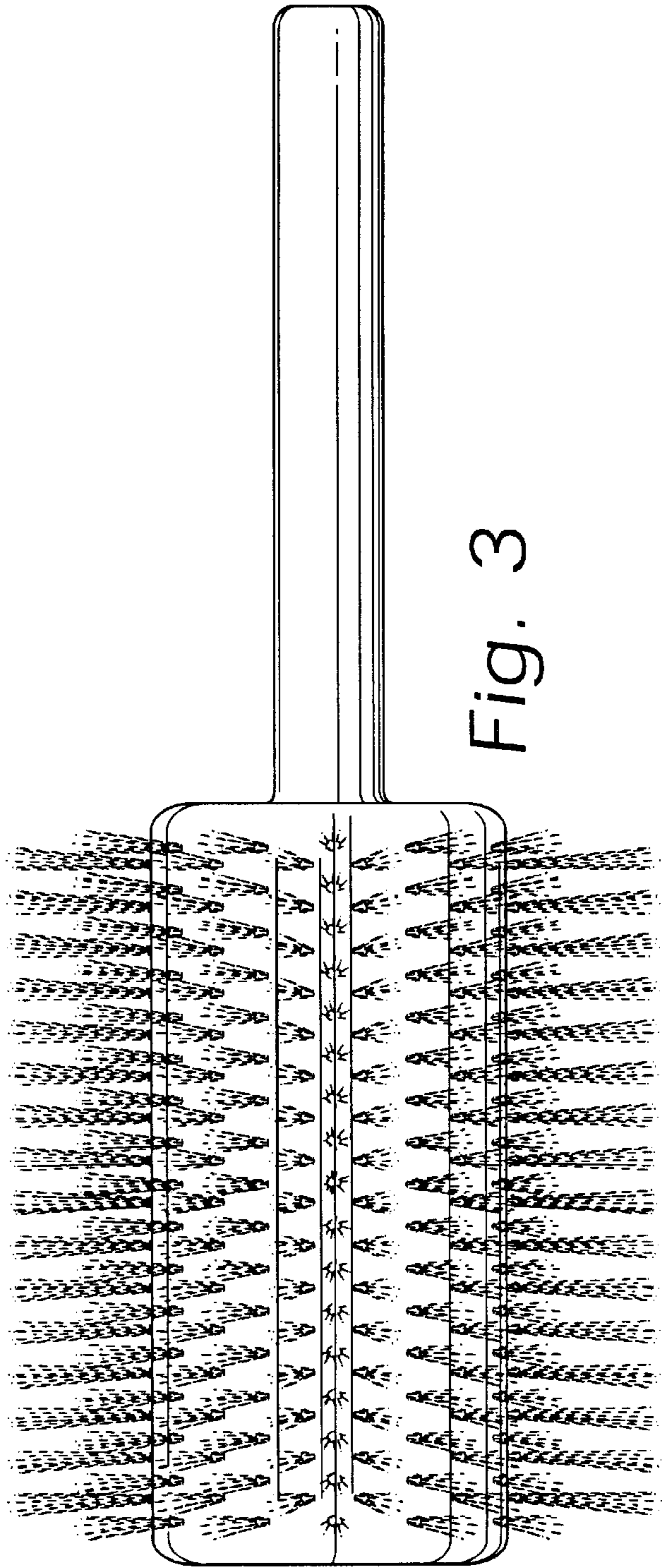
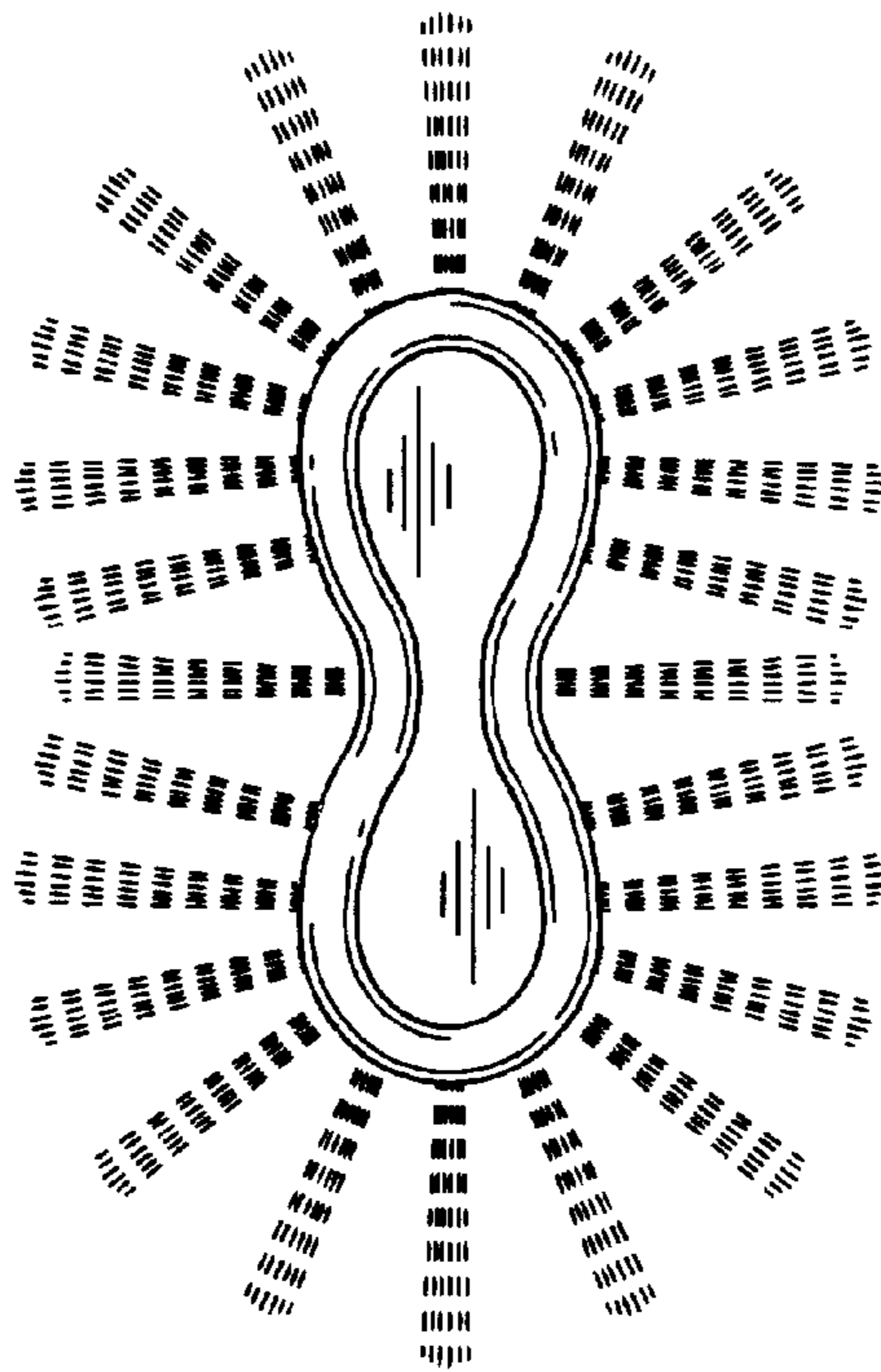
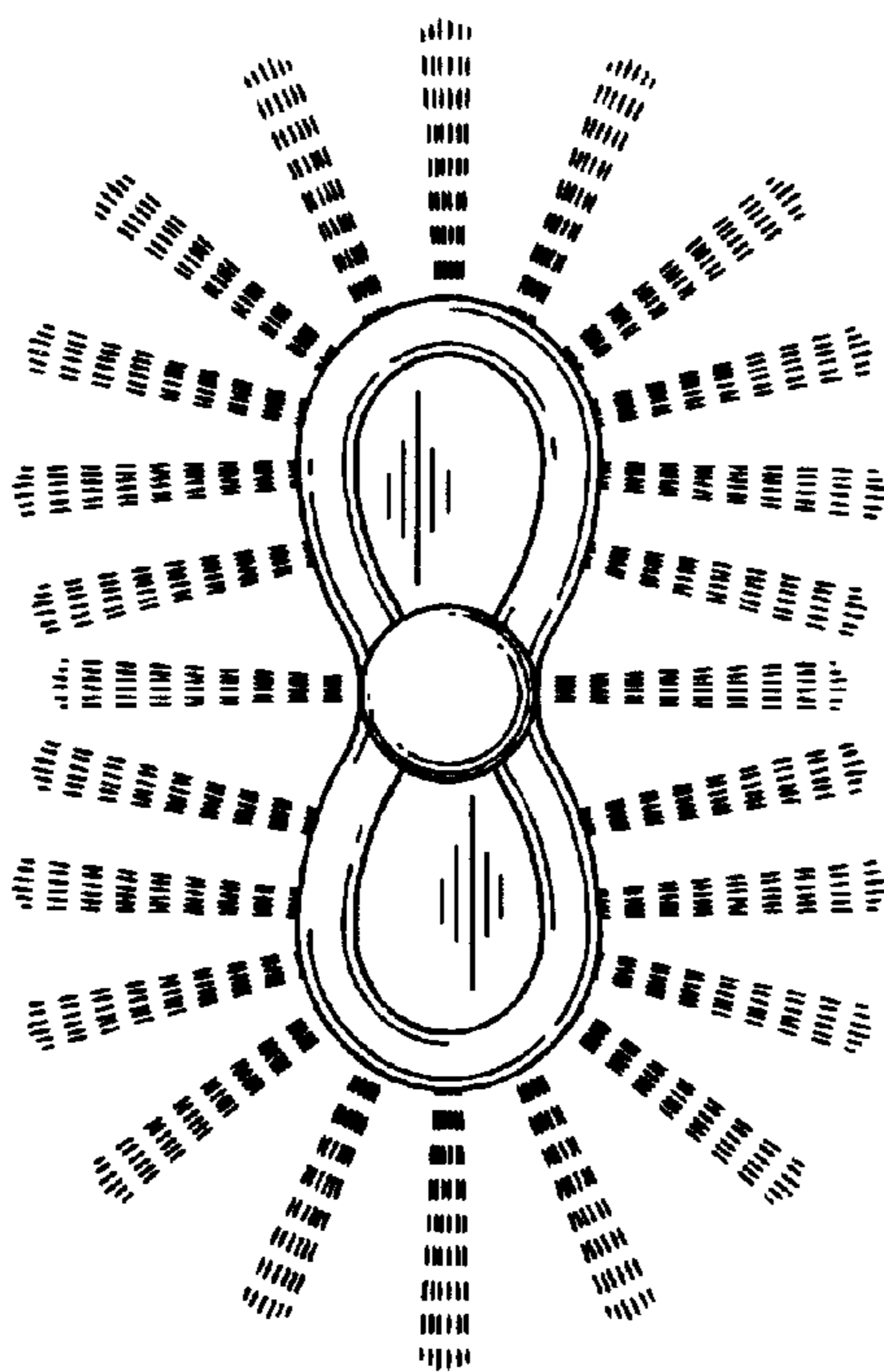


Fig. 3



*Fig. 4*



*Fig. 5*

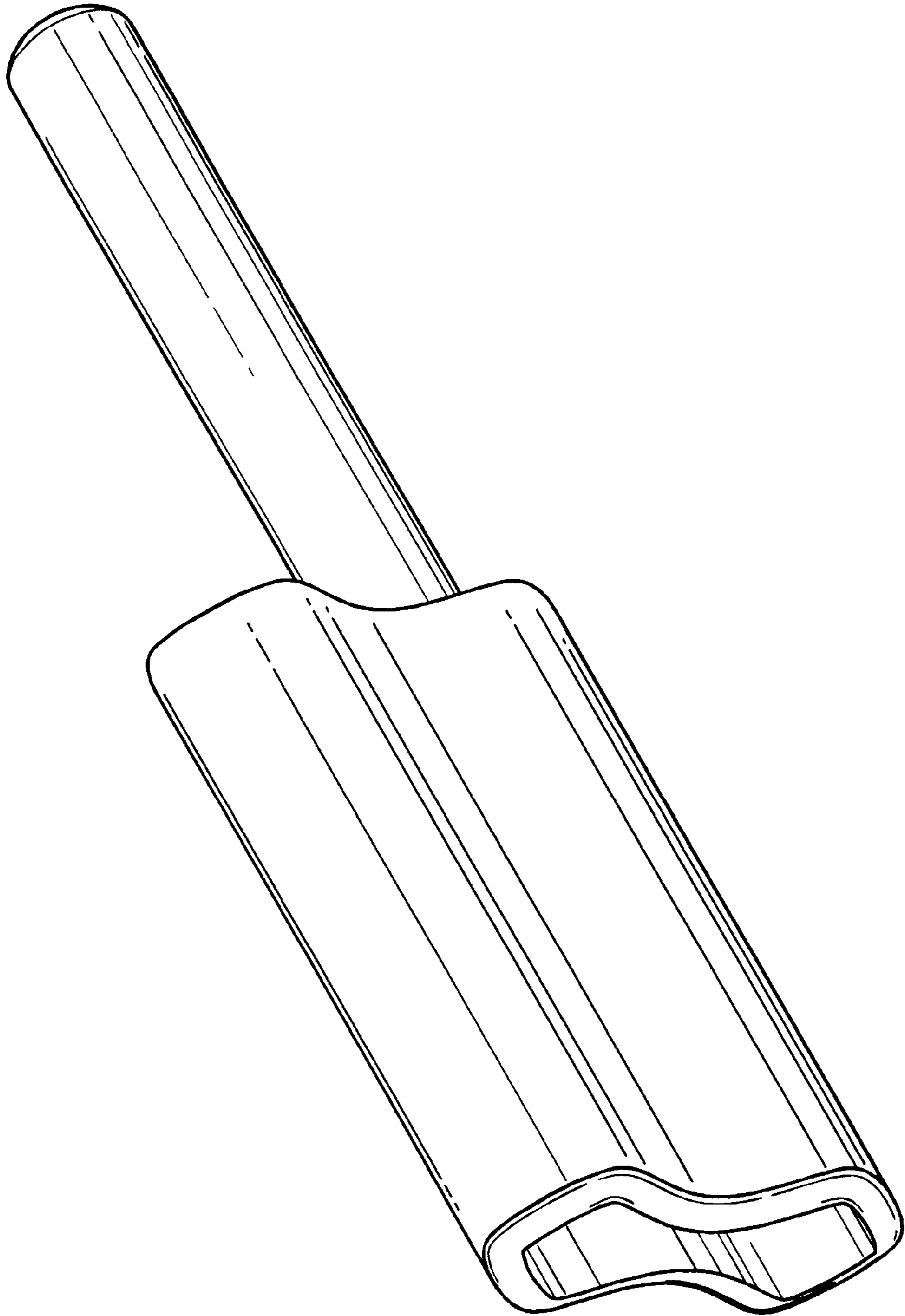


FIG. 6

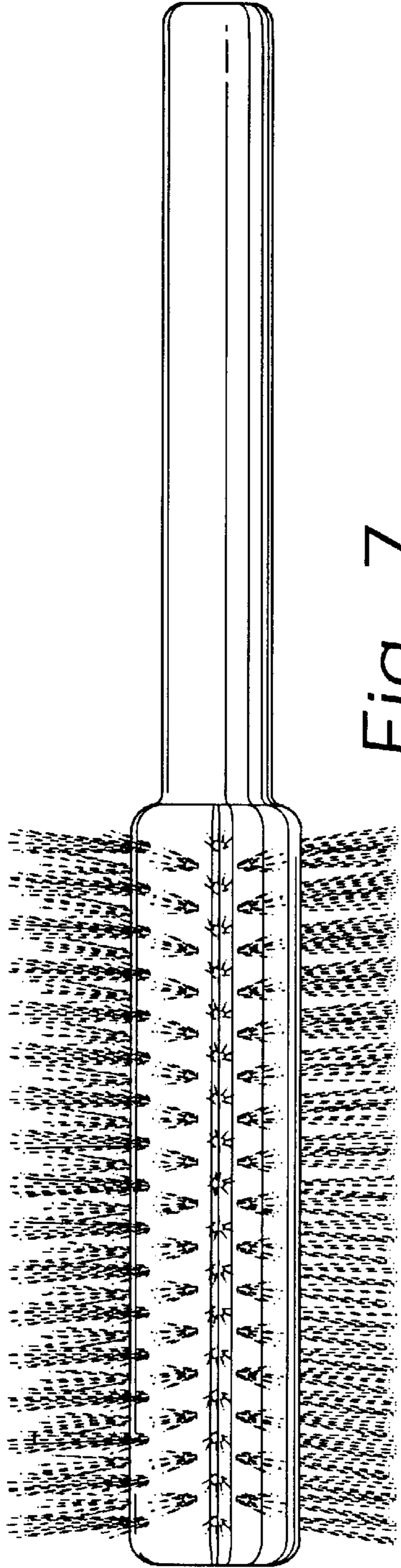


Fig. 7

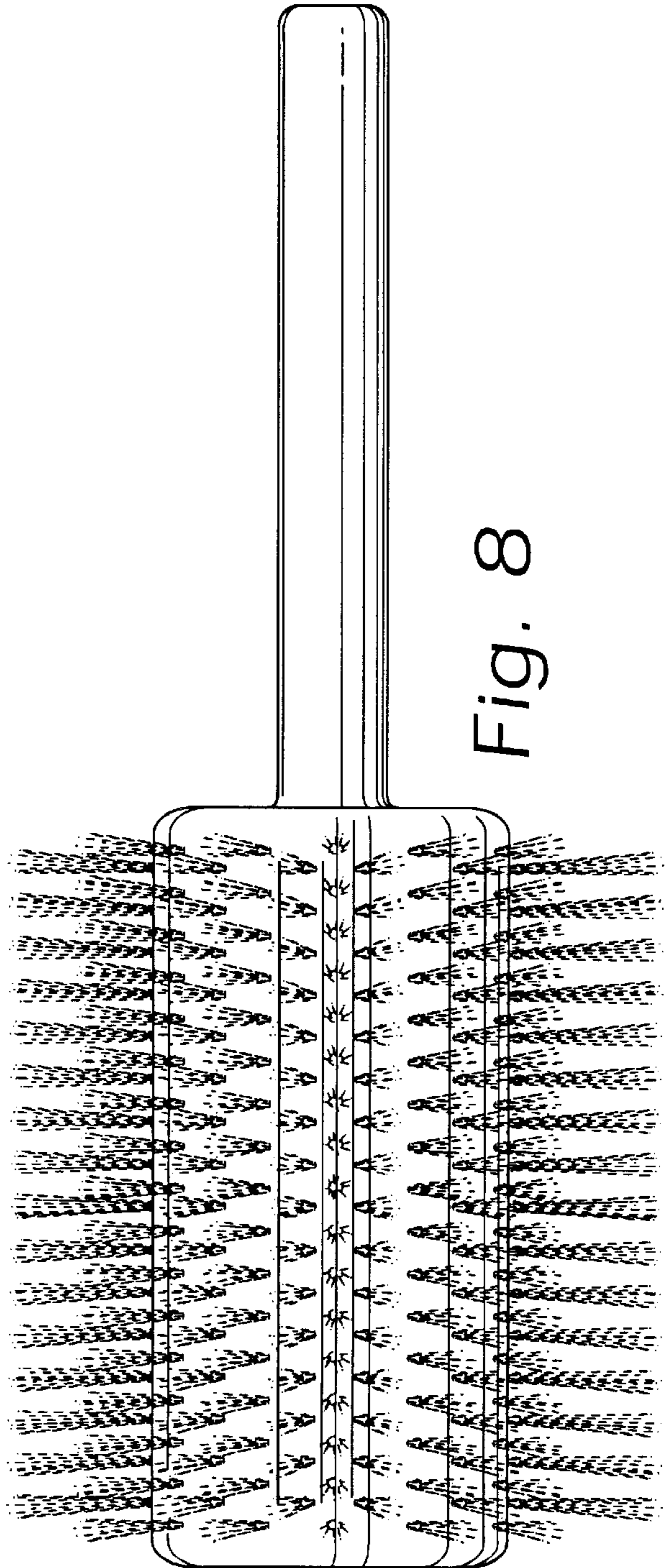
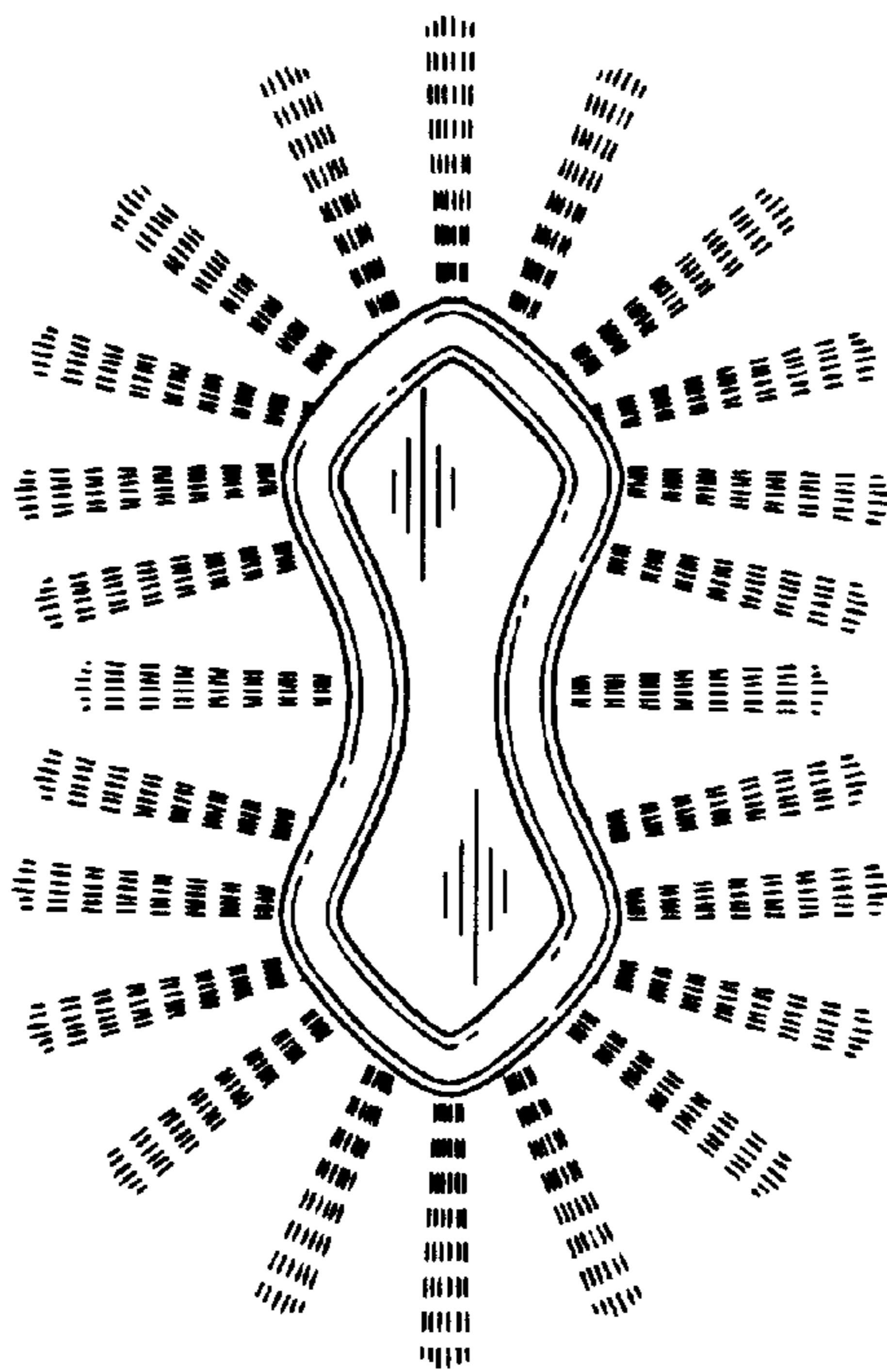
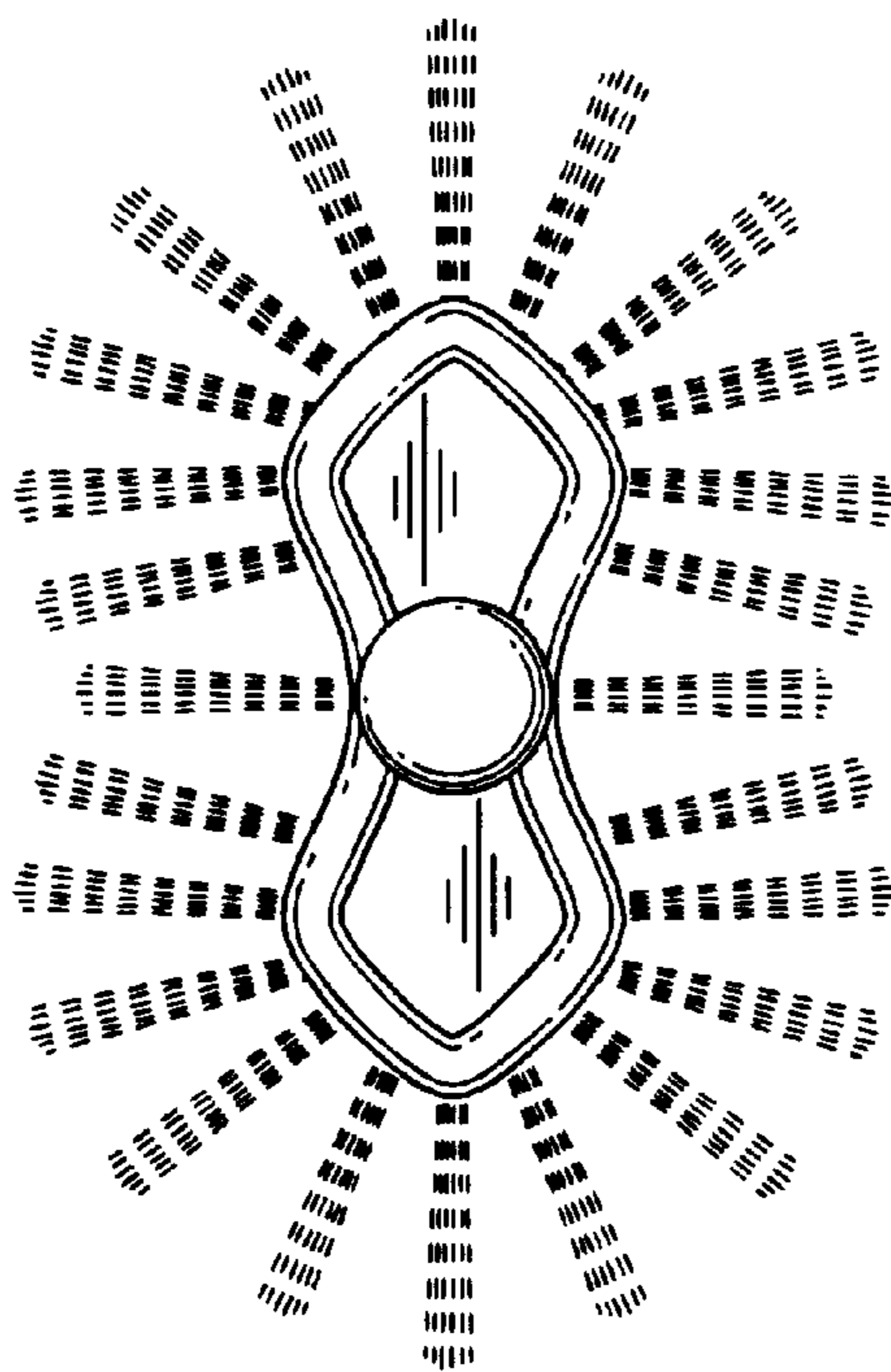


Fig. 8



*Fig. 9*



*Fig. 10*