



US00D456609S

(12) **United States Design Patent**  
**Blom et al.**

(10) **Patent No.:** **US D456,609 S**

(45) **Date of Patent:** **\*\* May 7, 2002**

(54) **COMBINED CONTAINER AND CAP WITH BRUSH**

(75) Inventors: **Stephan Blom**, Helmond; **Markus F. Brouwer**, Heesch, both of (NL)

(73) Assignee: **Henkel KGaA** (DE)

(\*\*) Term: **14 Years**

(21) Appl. No.: **29/116,944**

(22) Filed: **Jan. 13, 2000**

(51) **LOC (7) Cl.** ..... **09-01**

(52) **U.S. Cl.** ..... **D4/116; D9/338**

(58) **Field of Search** ..... D4/116, 135; D9/338, D9/436, 503, 516, 522, 523, 526, 560, 575; 132/73, 74.5, 317, 75; 401/119-122, 126-129

(56) **References Cited**

**U.S. PATENT DOCUMENTS**

D273,563	S	*	4/1984	Jeans et al.	.....	D9/522
4,955,745	A	*	9/1990	Vauquelin	.....	401/119
D402,199	S	*	12/1998	Saunders	.....	D9/338
6,065,477	A	*	5/2000	Doo	.....	132/73
D427,075	S	*	6/2000	Gavin	.....	D9/522
6,176,631	B1	*	1/2001	Gueret	.....	401/129

\* cited by examiner

*Primary Examiner*—Alan P. Douglas

*Assistant Examiner*—Lavone Tabor

(74) *Attorney, Agent, or Firm*—Bell, Boyd & Lloyd LLC

(57) **CLAIM**

The ornamental design for a combined container and cap with brush, as shown and described.

**DESCRIPTION**

FIG. 1 is a perspective view of the front of the combined container and cap with brush according to the present invention;

FIG. 2 is a perspective view of the back of the combined container and cap with brush according to the present invention;

FIG. 3 is a front view of the combined container and cap with brush according to the present invention;

FIG. 4 is a side view of the combined container and cap with brush according to the present invention;

FIG. 5 is a back view of the combined container and cap with brush according to the present invention;

FIG. 6 is a top plan view of the combined container and cap with brush according to the present invention;

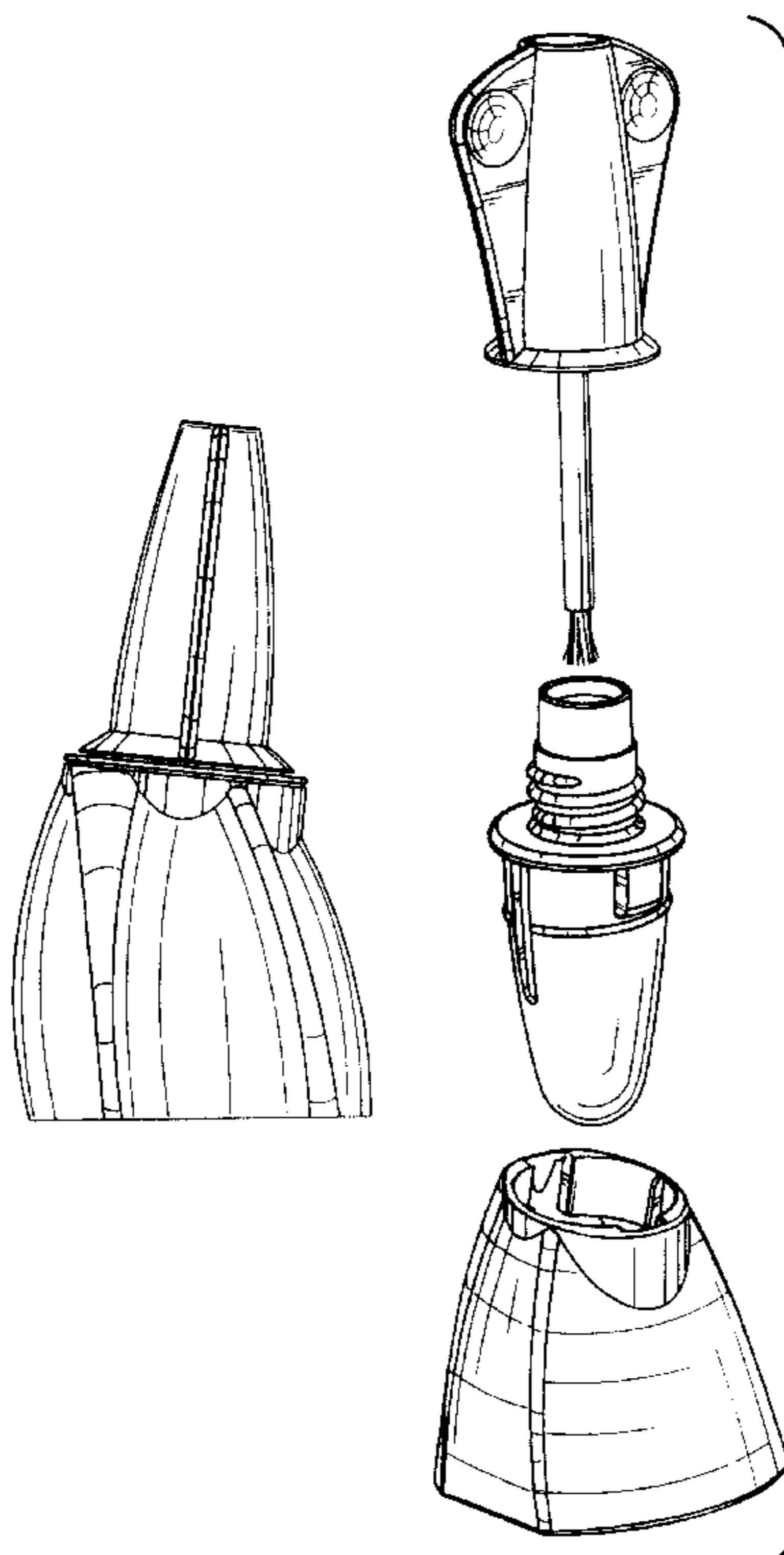
FIG. 7 is a bottom plan view of the combined container and cap with brush according to the present invention;

FIG. 8 is an enlarged perspective view of the combined container and cap with brush with a portion of the container being shown in cross section.

FIG. 9 is an enlarged exploded detailed view of the cap and brush of the combined container and cap with brush according to the present invention; and,

FIG. 10 is an exploded detailed view of the cap and brush of the combined container and cap with brush according to the present invention.

**1 Claim, 2 Drawing Sheets**



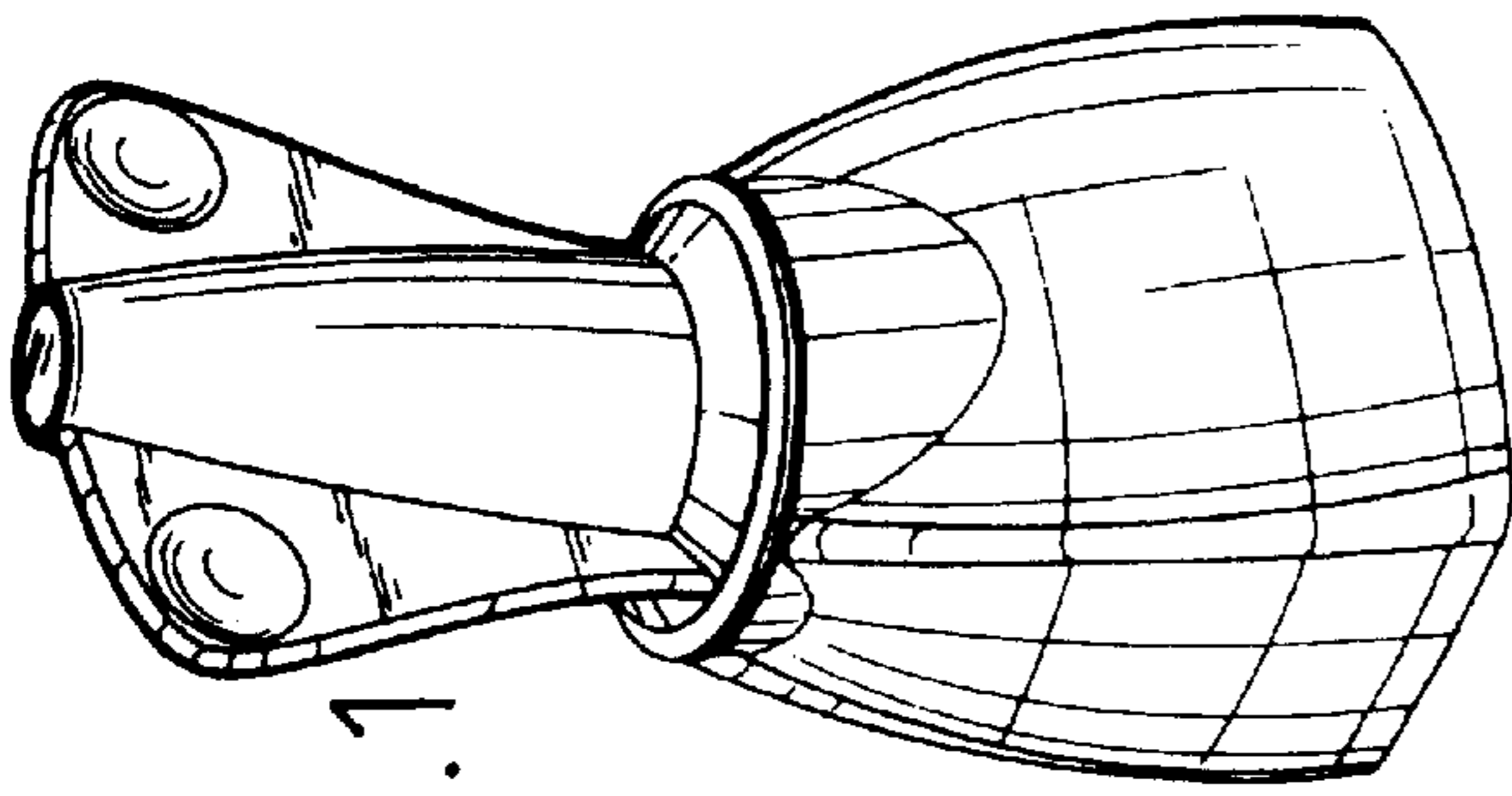


FIG. 1

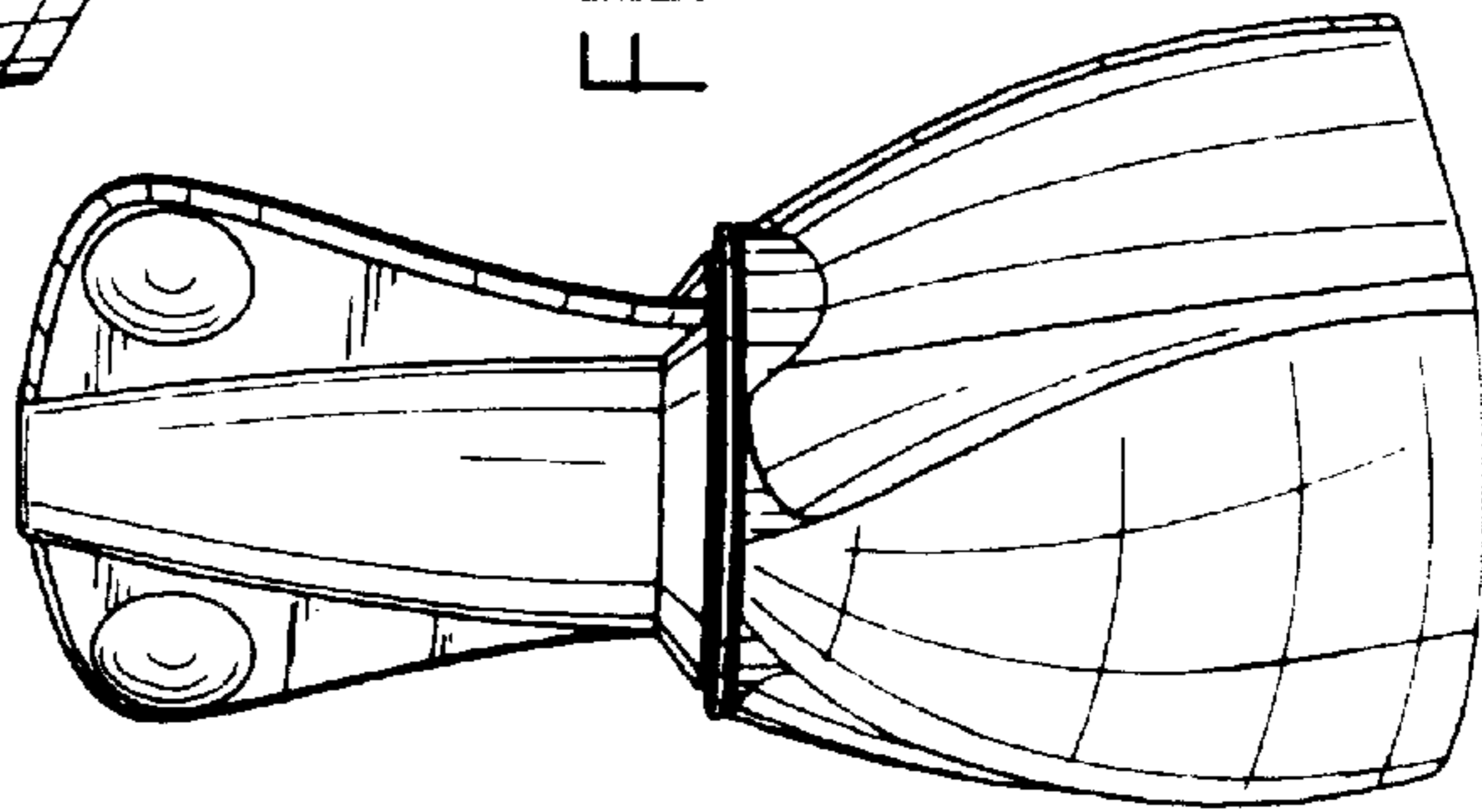


FIG. 2

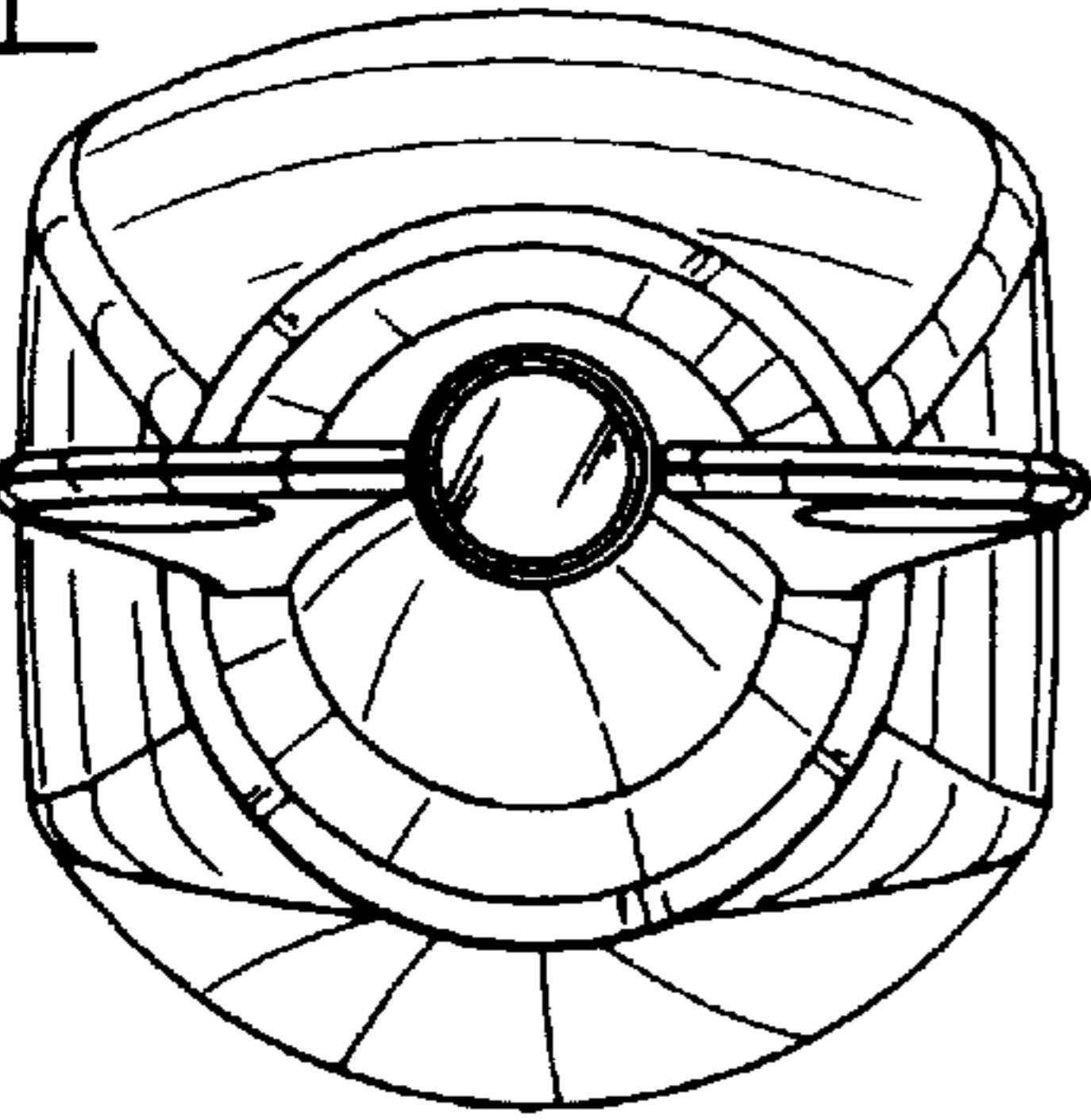


FIG. 3

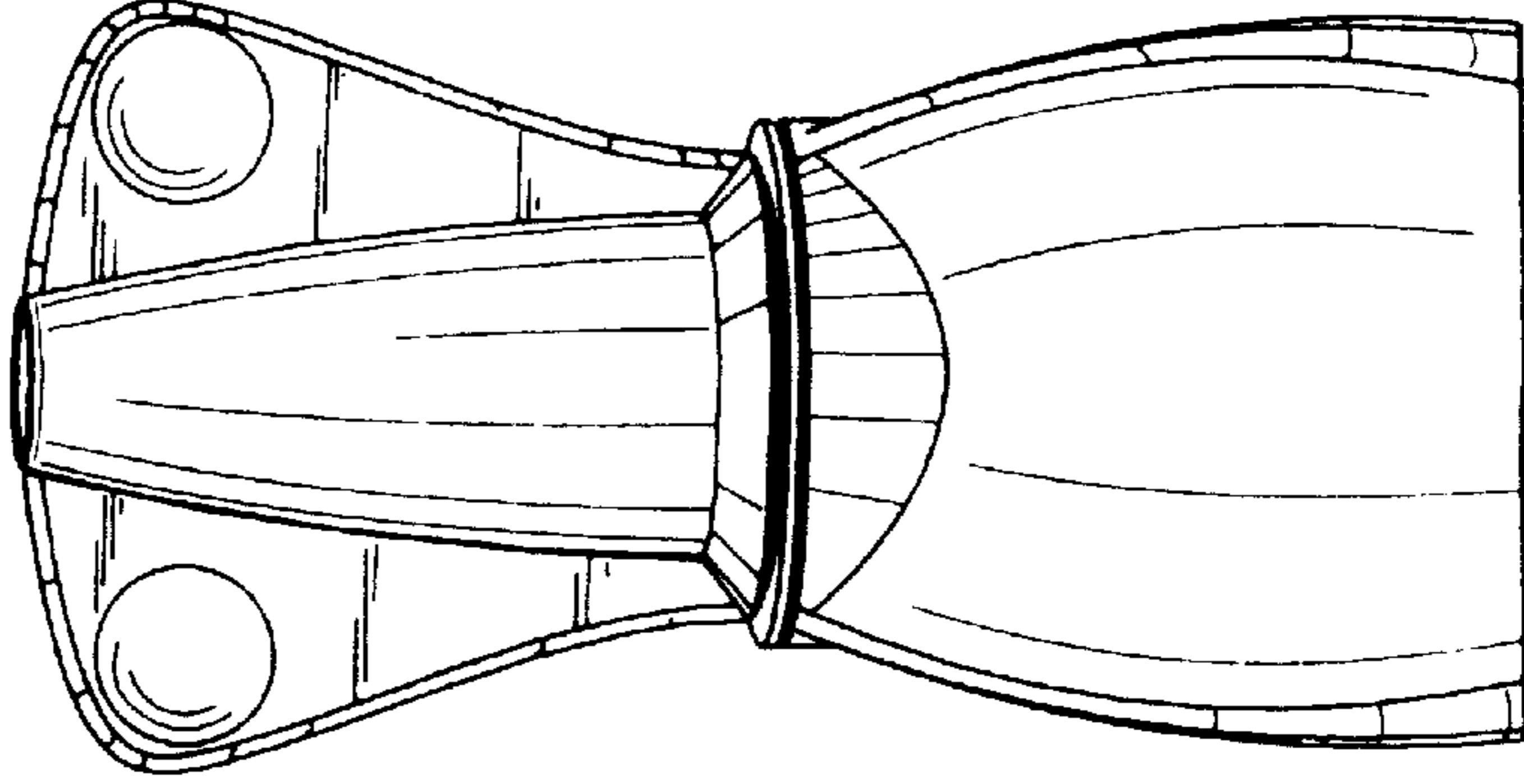


FIG. 4

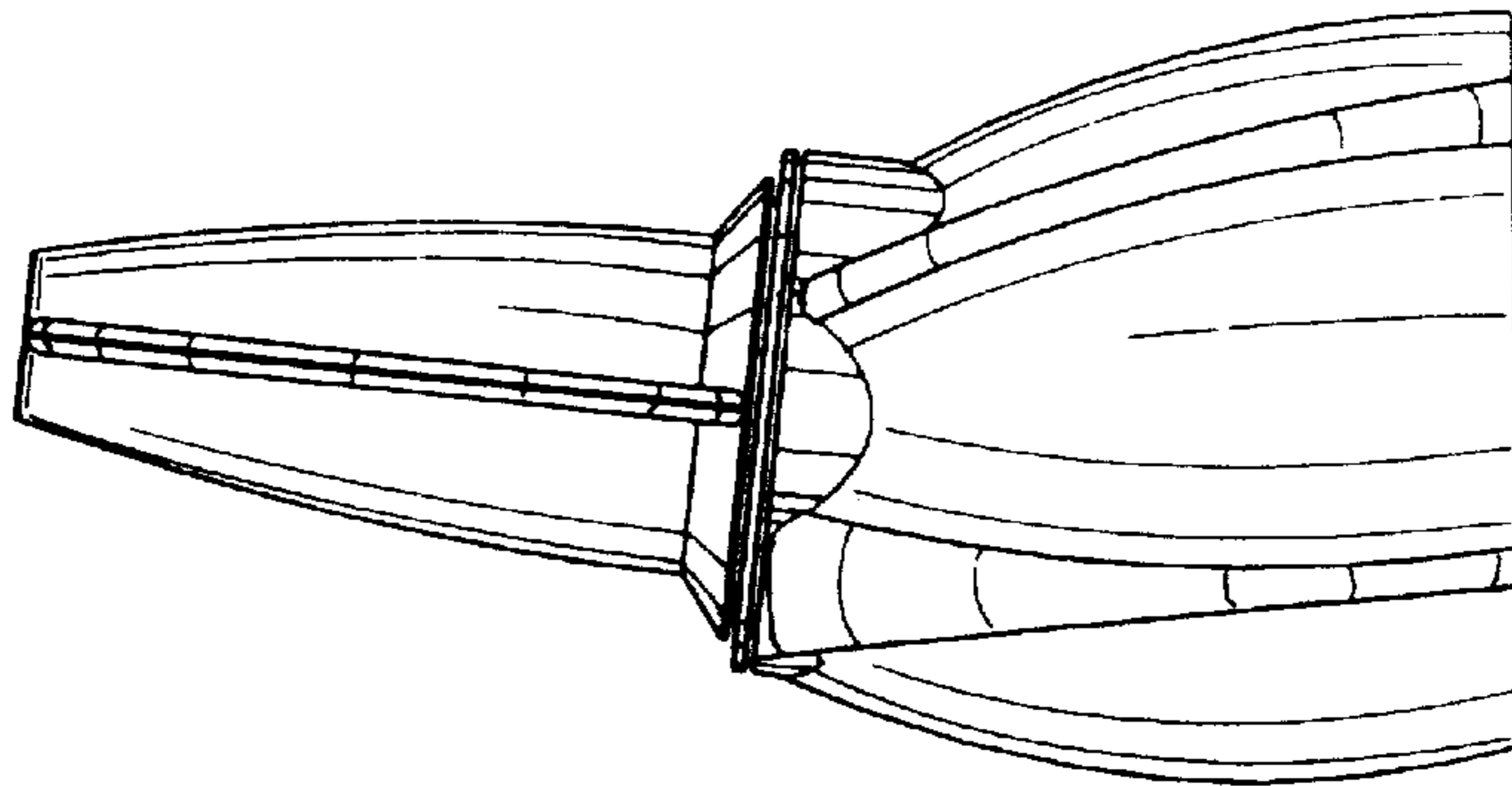


FIG. 5

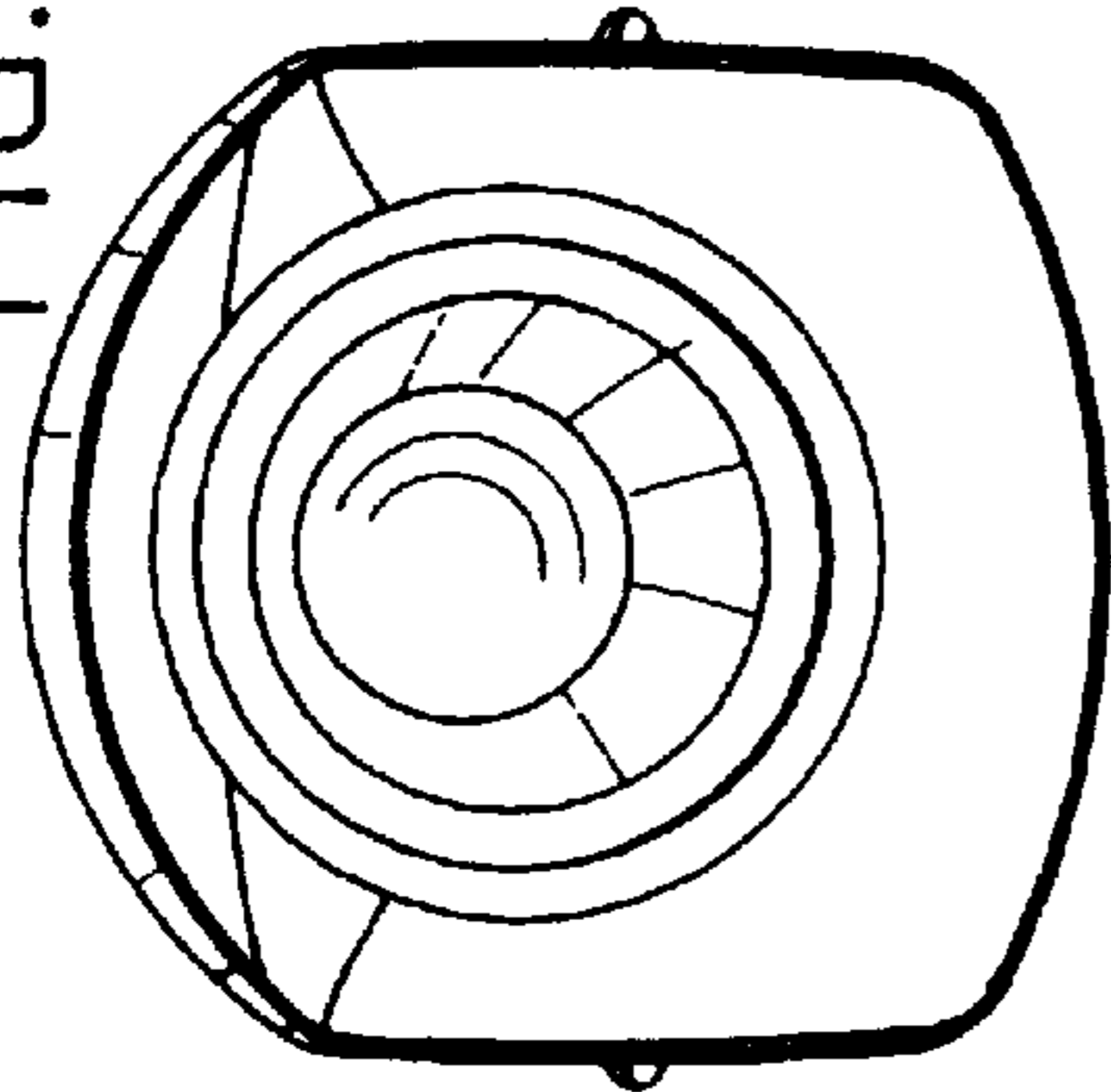


FIG. 6

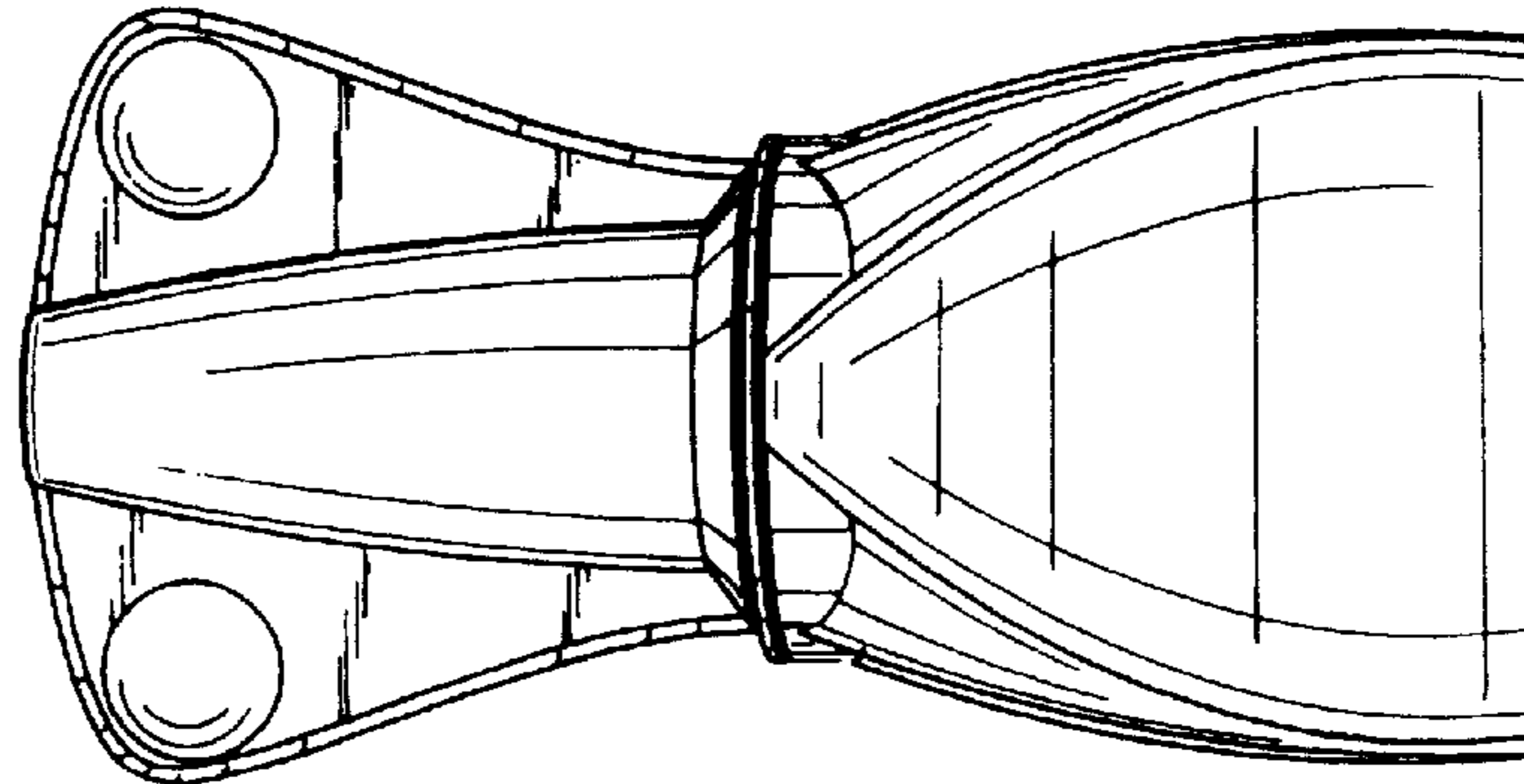


FIG. 7

