



US00D456604S

(12) **United States Design Patent**
Plummer

(10) **Patent No.:** **US D456,604 S**

(45) **Date of Patent:** **** May 7, 2002**

(54) **COUPON ORGANIZER**

(76) Inventor: **Mary S. Plummer**, 5660 W. Indian Trail, Louisville, KY (US) 40214

(**) Term: **14 Years**

(21) Appl. No.: **29/139,398**

(22) Filed: **Mar. 29, 2001**

(51) **LOC (7) Cl.** **03-01**

(52) **U.S. Cl.** **D3/233**

(58) **Field of Search** D3/232, 233, 234, D3/238, 243, 244, 245, 246, 247, 303; 150/112, 149; 206/232, 425; 224/277, 411; 383/7

(56) **References Cited**

U.S. PATENT DOCUMENTS

558,728 A *	4/1896	Hasselberger	150/112
814,205 A *	3/1906	Hawes	150/149
1,563,902 A *	12/1925	Grodnick	150/112
2,068,507 A *	1/1937	Nagel	150/103
4,260,055 A	4/1981	Slaybaugh	
4,450,994 A	5/1984	Holland	
4,463,848 A *	8/1984	Parker	206/425 X
4,966,318 A	10/1990	Dutka	
5,170,889 A	12/1992	Cue	
5,263,578 A	11/1993	Narvey	
5,387,037 A *	2/1995	Daitch	383/7
5,480,192 A	1/1996	Angerbauer et al.	

5,489,120 A 2/1996 Thornsburg

5,527,069 A 6/1996 Bianco

5,788,073 A 8/1998 Suryk

* cited by examiner

Primary Examiner—Louis S. Zarfes

Assistant Examiner—Monica A. Weingart

(74) *Attorney, Agent, or Firm*—Carrithers Law Office; David W. Carrithers

(57) **CLAIM**

The ornamental design for a coupon organizer, as shown and described.

DESCRIPTION

FIG. 1 is a perspective open view of a coupon organizer in accordance with my design;

FIG. 2 is an open front view thereof;

FIG. 3 is an open rear view thereof;

FIG. 4 is an open left side view thereof;

FIG. 5 is an open right side view thereof;

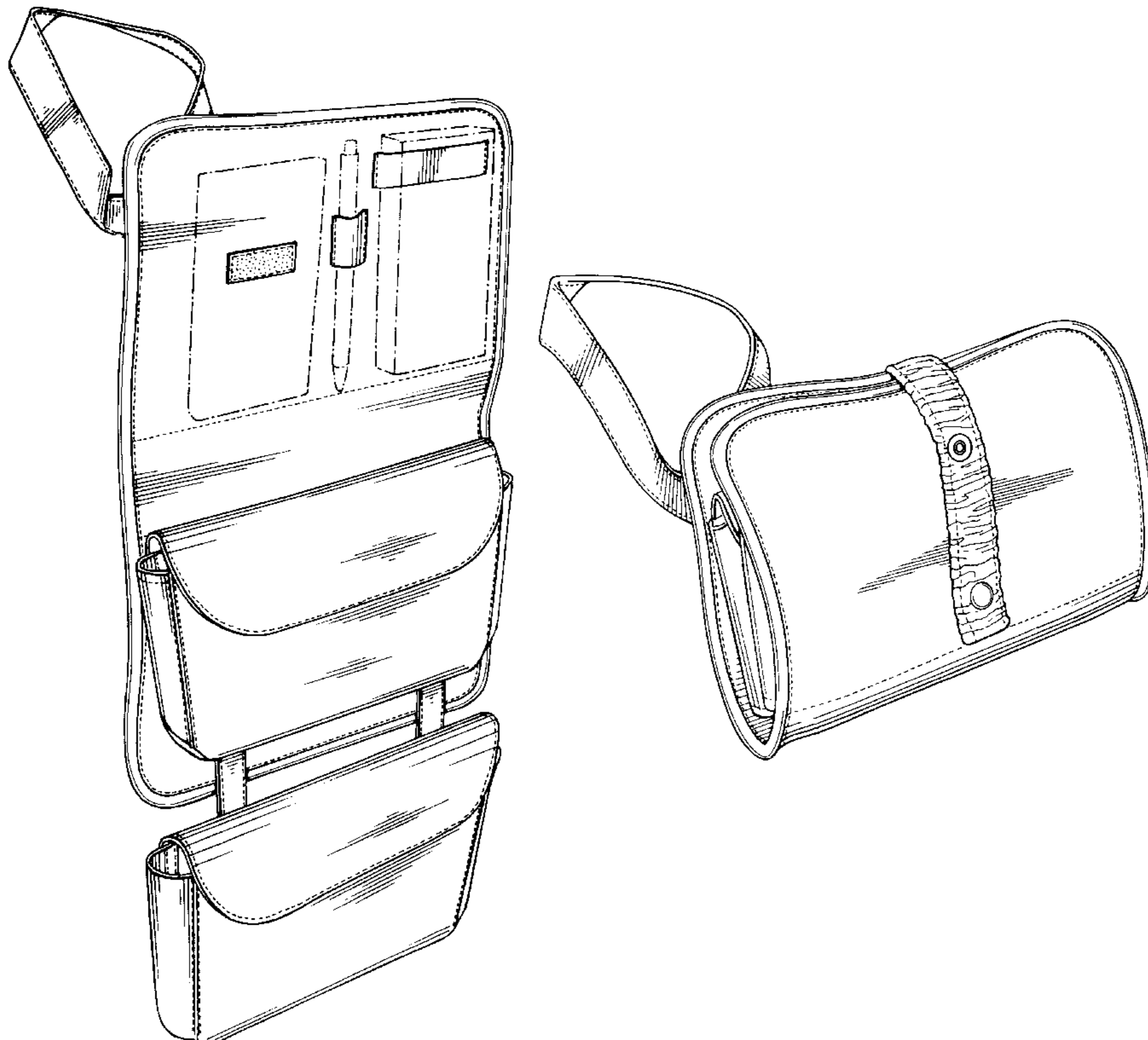
FIG. 6 is an open top view thereof;

FIG. 7 is an open bottom view thereof; and,

FIG. 8 is a perspective closed view thereof.

The broken line showing the note pad, pen, and calculator in FIGS. 1 and 2 are included for the purpose of illustrating environmental structure only and forms no part of the claimed design.

1 Claim, 6 Drawing Sheets



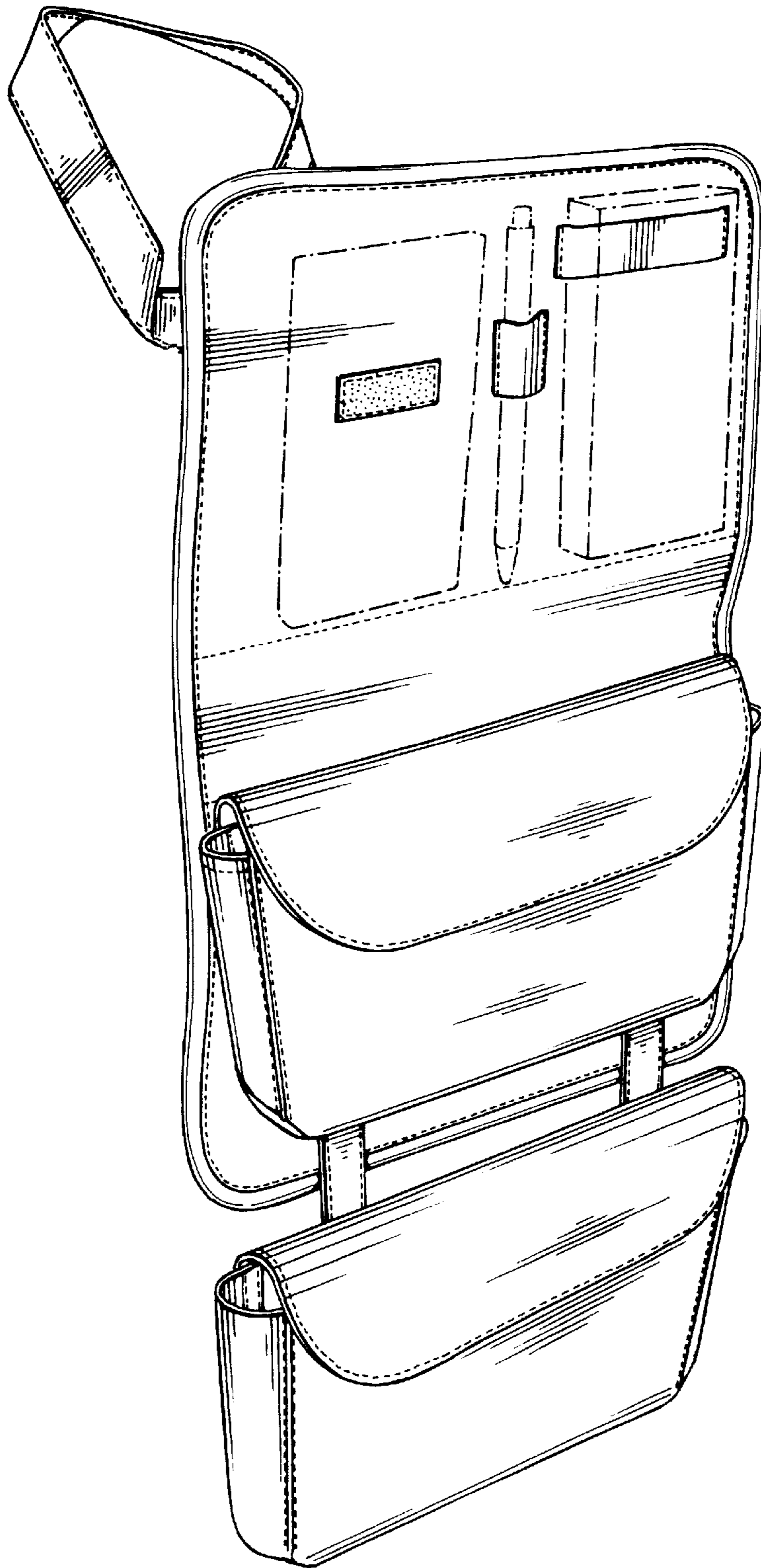


FIG. 1

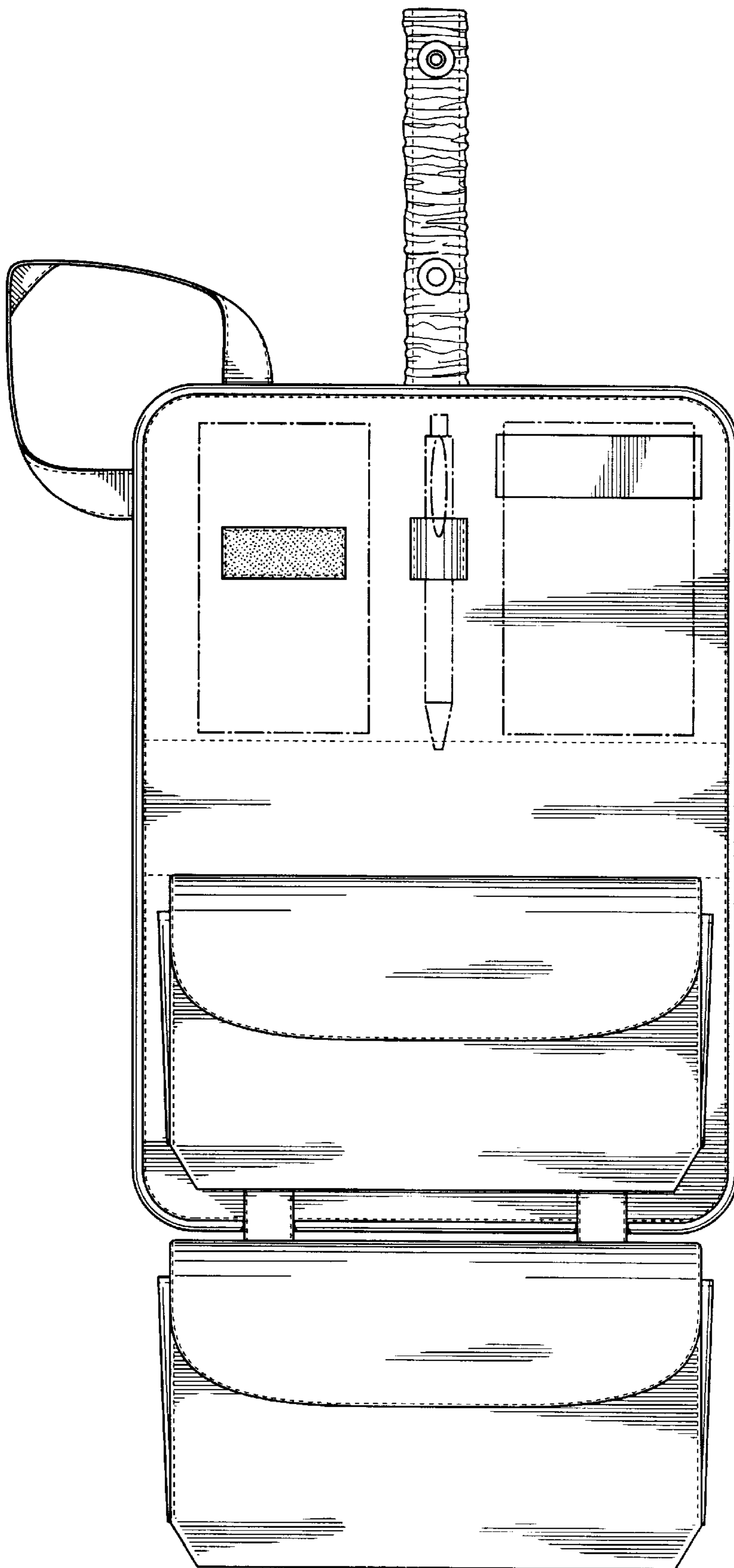


FIG. 2

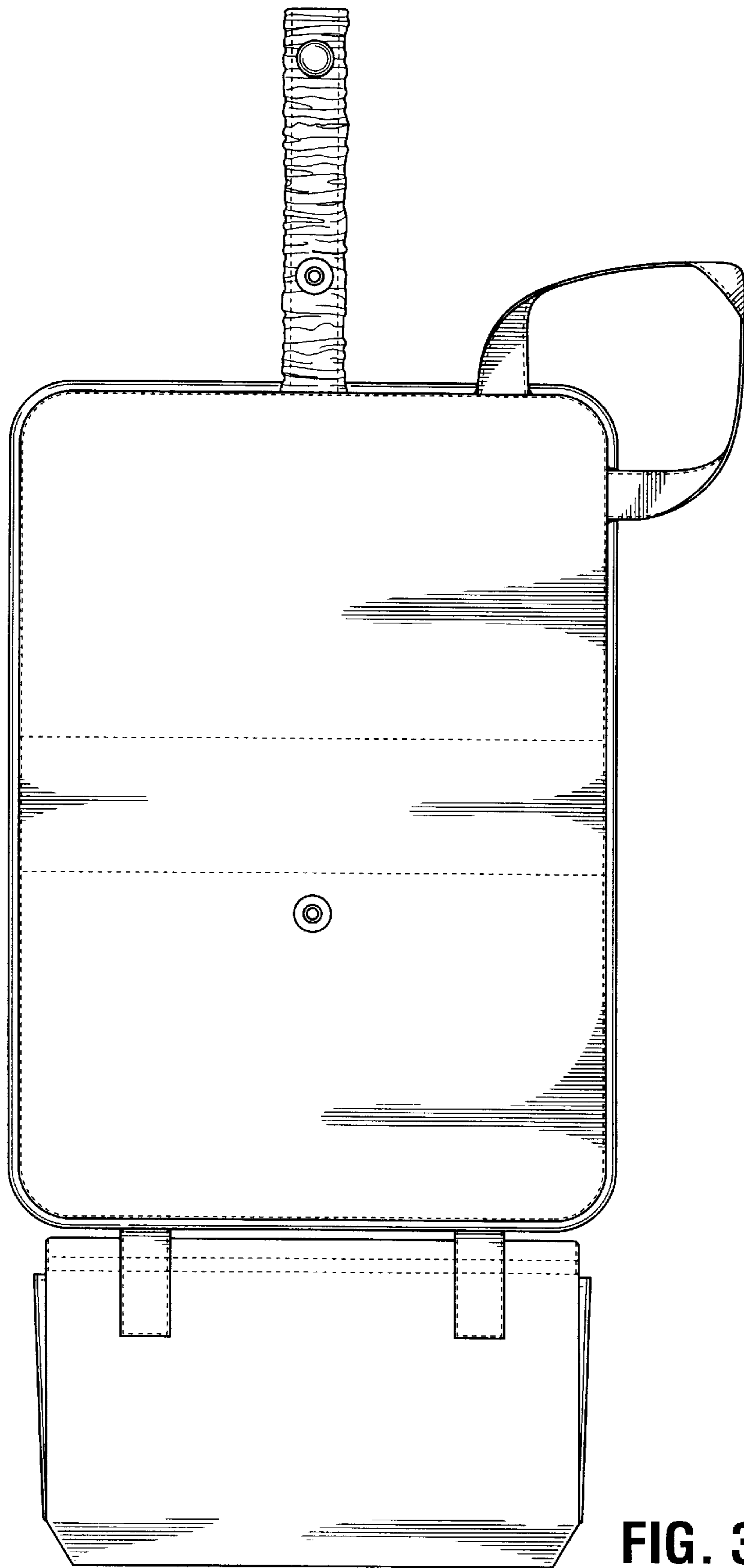


FIG. 3

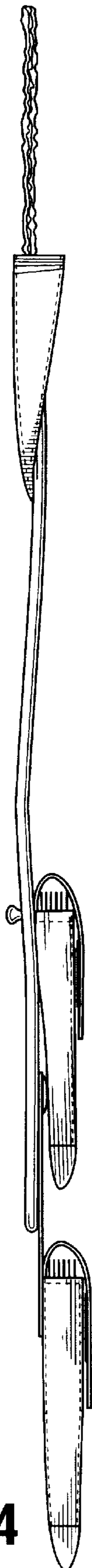


FIG. 4

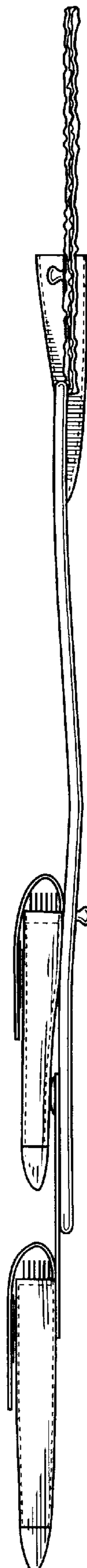


FIG. 5

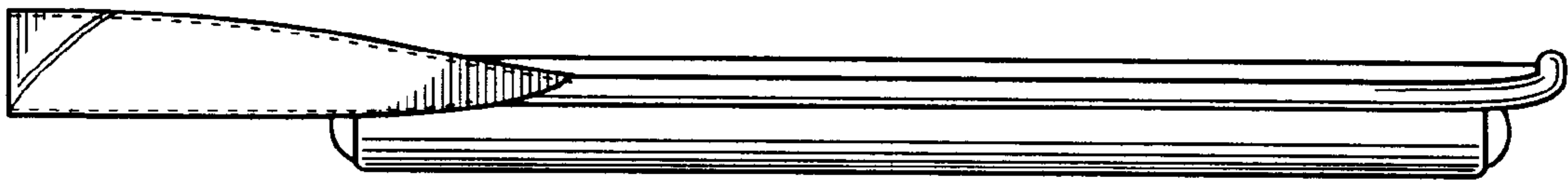


FIG. 6

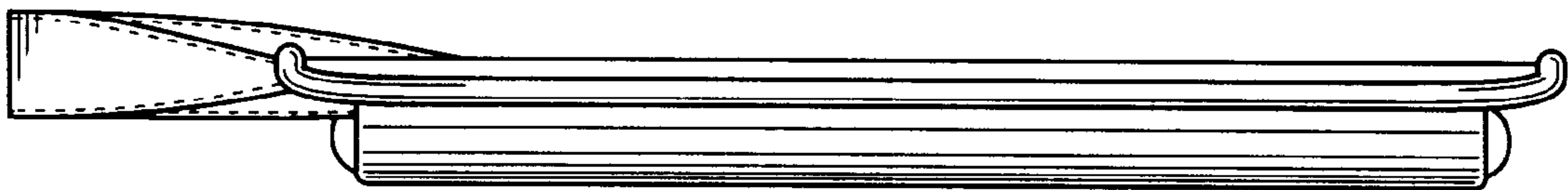


FIG. 7

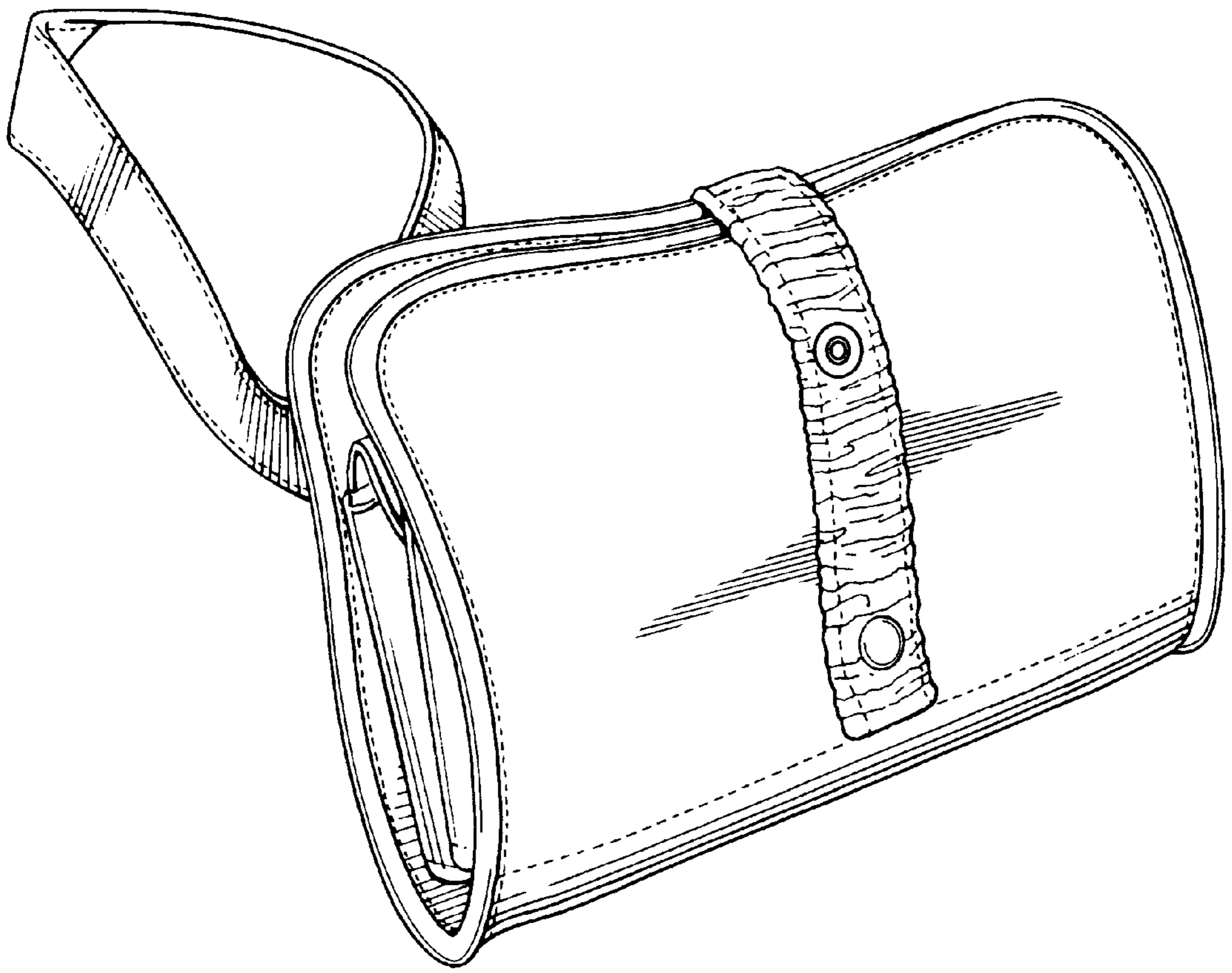


FIG. 8