



US00D456586S

(12) **United States Design Patent**
Fairey et al.

(10) **Patent No.:** **US D456,586 S**

(45) **Date of Patent:** **** Apr. 30, 2002**

(54) **FINANCIAL DOCUMENT PROCESSING
MODULE**

(75) Inventors: **Richard A. Fairey**, Kitchener; **Lee D. Fletcher**, Waterloo, both of (CA);
David S. Rowley, Powder Springs, GA
(US); **Owen H. Wilson**, Kitchener (CA)

(73) Assignee: **NCR Corporation**, Dayton, OH (US)

(**) Term: **14 Years**

(21) Appl. No.: **29/132,900**

(22) Filed: **Nov. 17, 2000**

(51) **LOC (7) Cl.** **18-01**

(52) **U.S. Cl.** **D99/28; D18/3.2**

(58) **Field of Search** **D99/28, 99; D18/6,**
D18/4.6, 3.2; D14/385; 235/482, 454; 194/350;
D20/1, 2; 323/430.2

(56) **References Cited**

U.S. PATENT DOCUMENTS

- D222,471 S * 10/1971 Shebanow et al. D14/385
- D234,698 S * 4/1975 Conway D14/385
- D239,029 S * 3/1976 Conway D14/385
- D241,450 S * 9/1976 King D99/28

- 4,277,689 A * 7/1981 Thomas et al. 235/454
- D289,099 S * 3/1987 Golland D99/99
- 4,662,621 A * 5/1987 Lundblad 194/350 X
- D292,939 S * 11/1987 Aubrey D18/3.2
- D296,908 S * 7/1988 Tremble D20/2
- D385,674 S * 10/1997 Sugawara et al. D99/28

* cited by examiner

Primary Examiner—Paula A. Mortimer

(57) **CLAIM**

The ornamental design for a financial document processing module, as shown and described.

DESCRIPTION

FIG. 1 is a front view of a financial document processing module showing my new design;
 FIG. 2 is a rear view thereof;
 FIG. 3 is a side view, taken from the left side of FIG. 1;
 FIG. 4 is a side view, taken from the right side of FIG. 1;
 FIG. 5 is a top view of FIG. 1; and,
 FIG. 6 is a general right front perspective view of the financial document processing module shown in FIG. 1.
 The broken line showing of the module housing is for illustrative purposes only and forms no part of the claimed design.

1 Claim, 6 Drawing Sheets

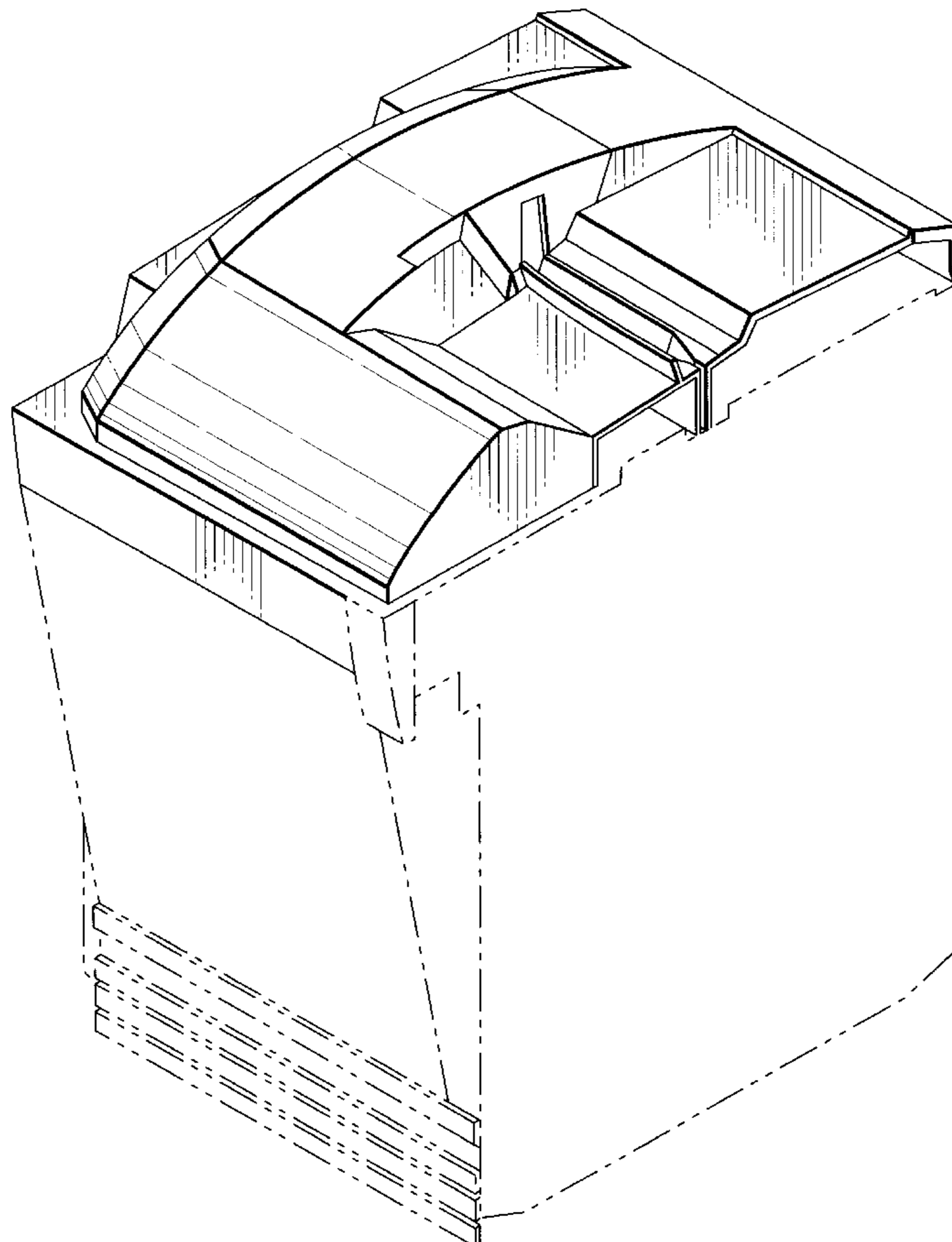


FIG. 1

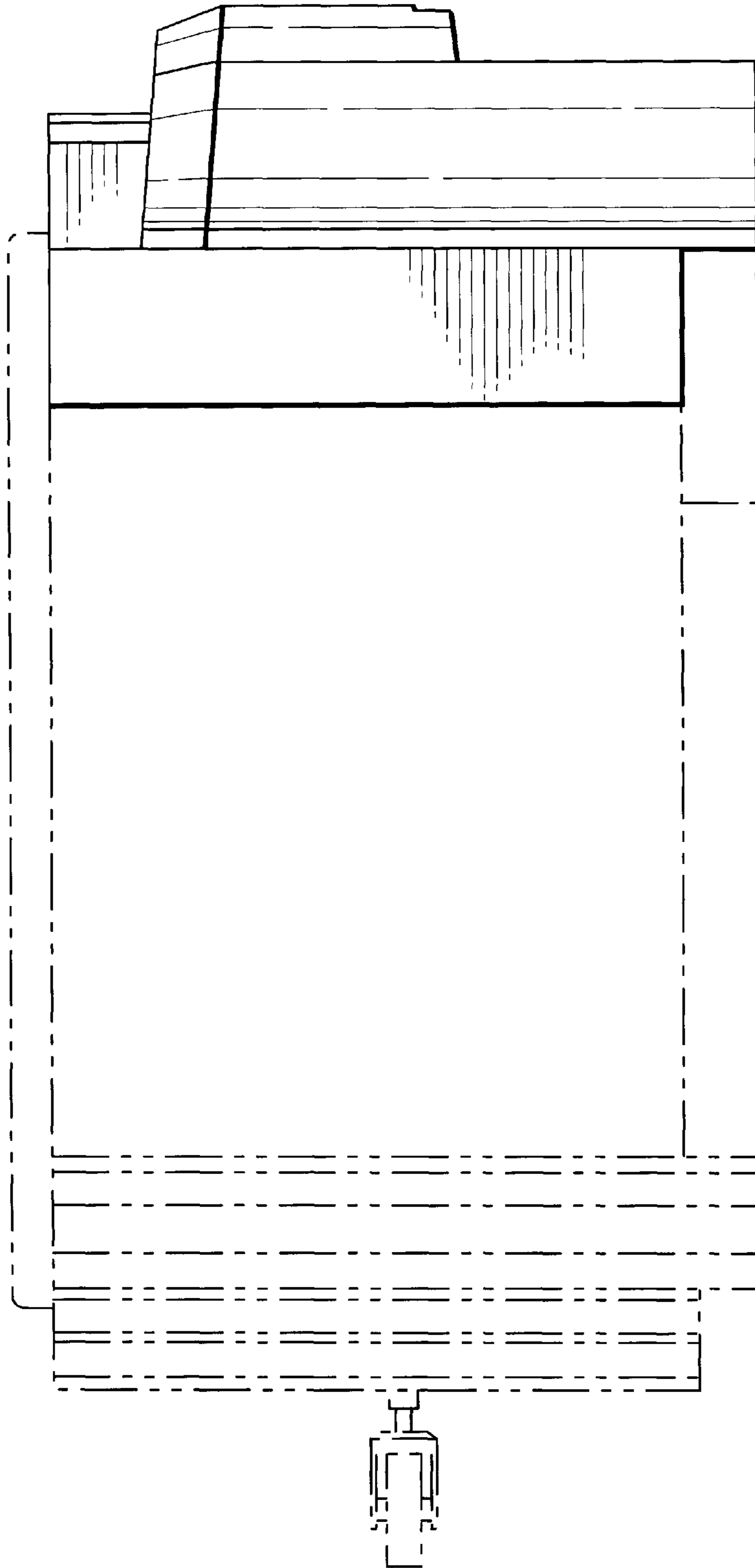


FIG. 2

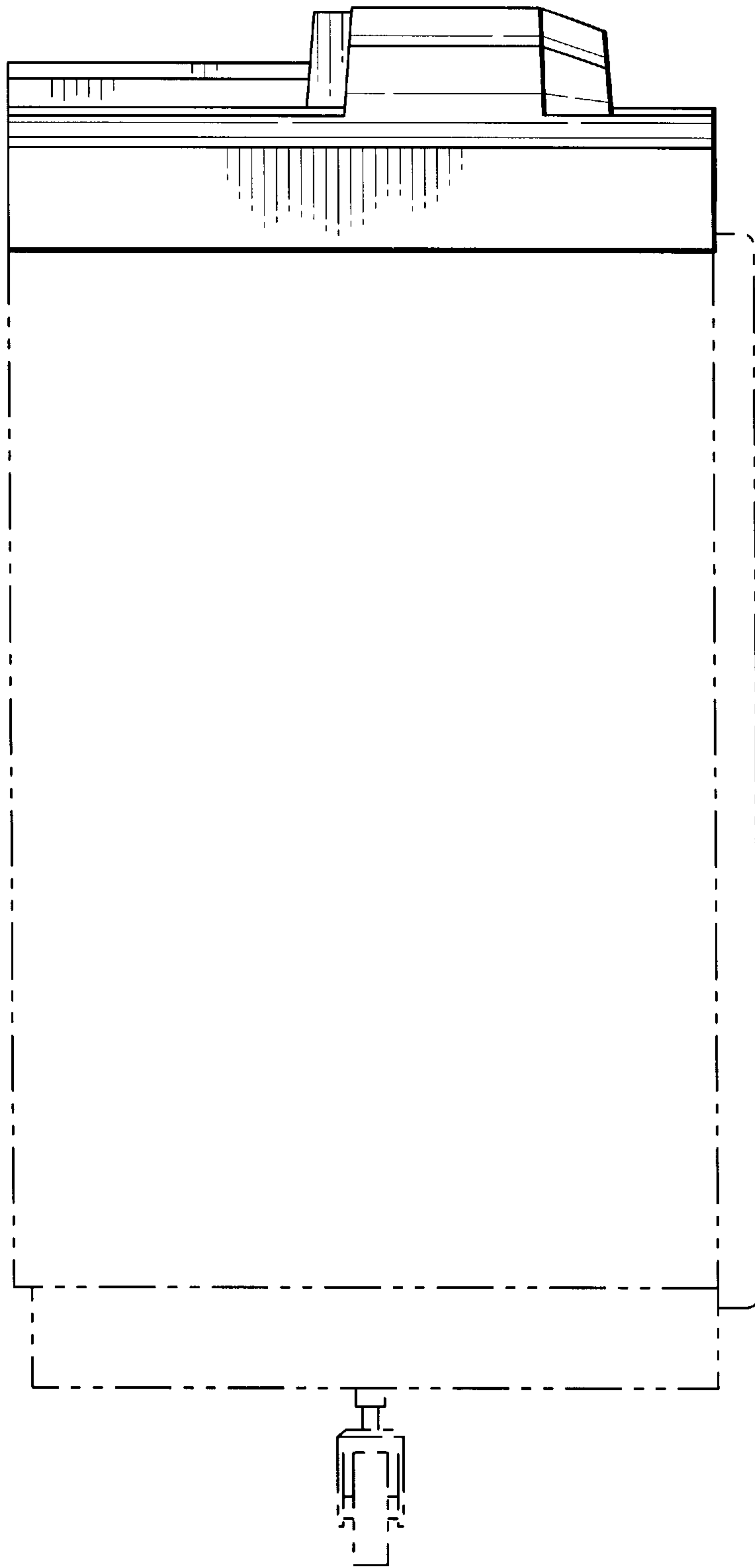


FIG. 3

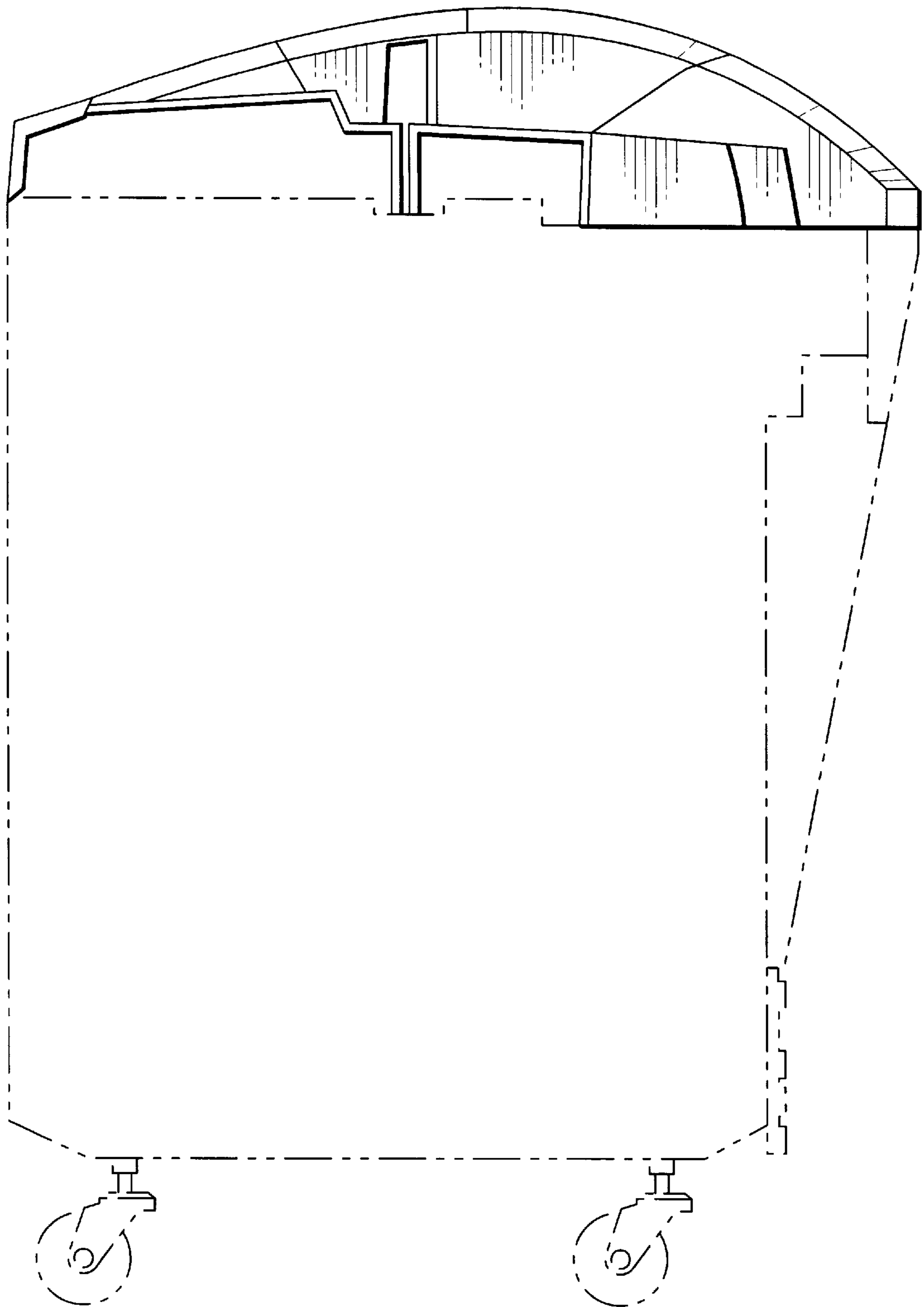


FIG. 4

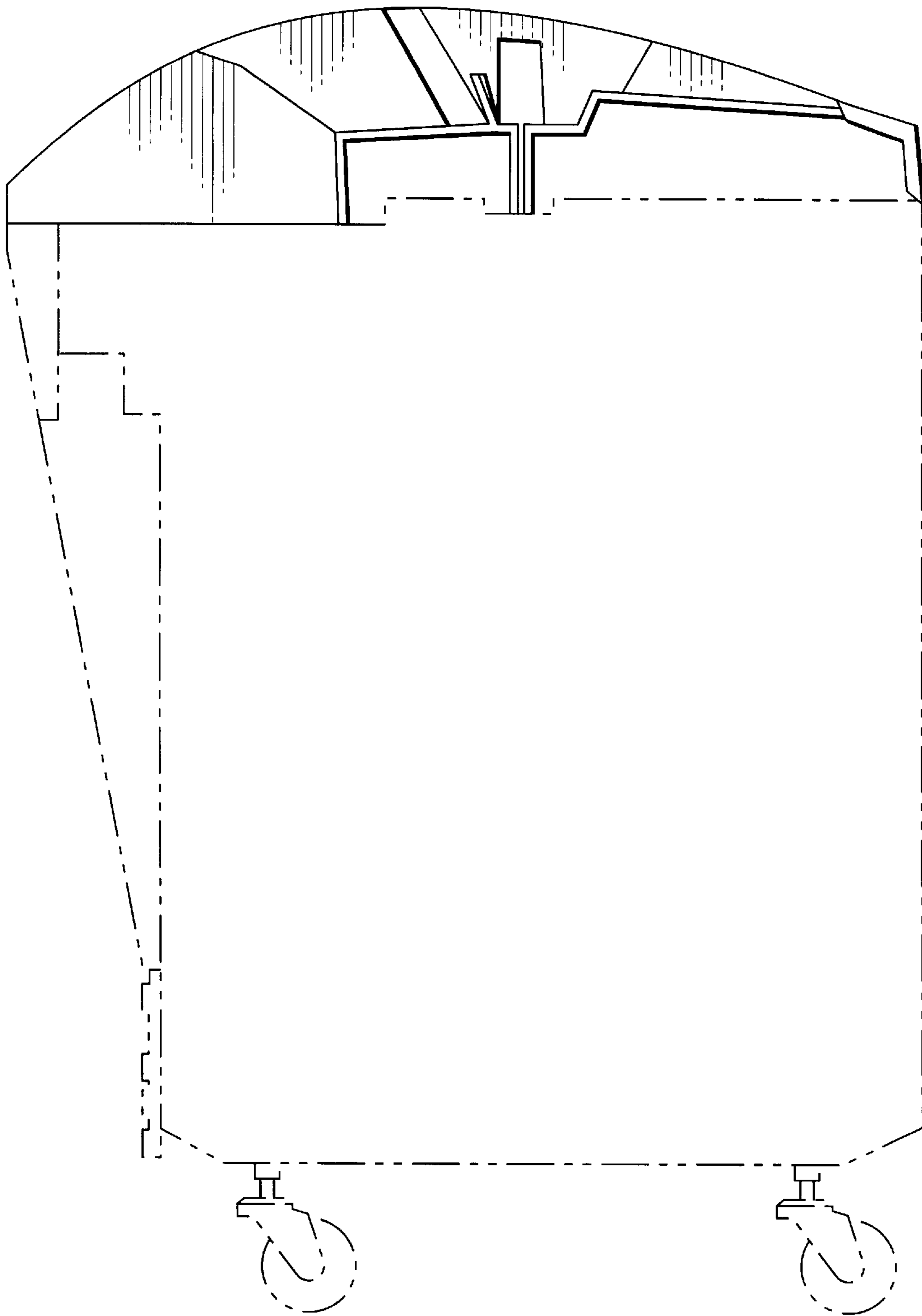


FIG. 5

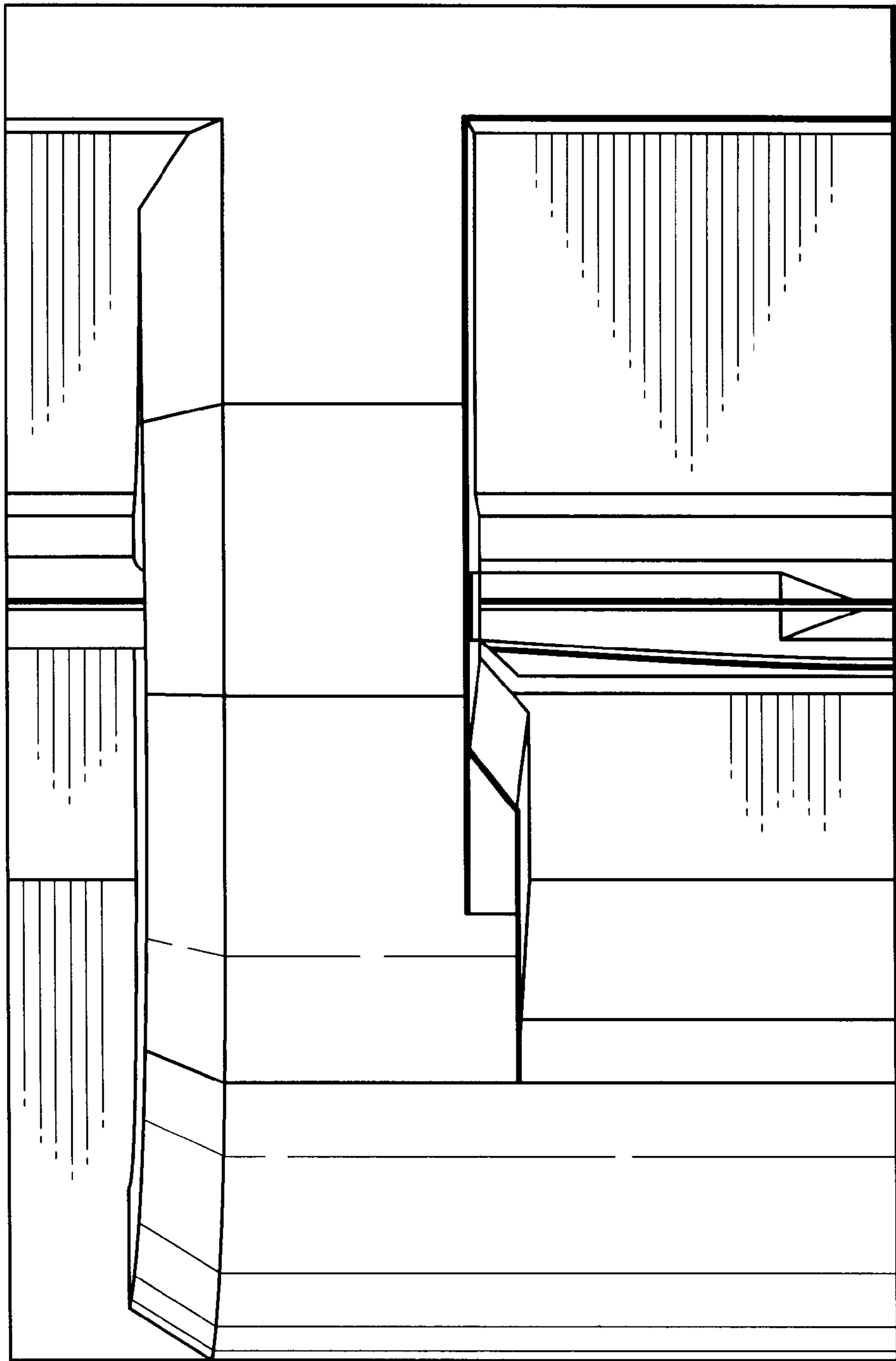


FIG. 6

