



US00D456585S

(12) **United States Design Patent**  
**Sandström**

(10) **Patent No.:** **US D456,585 S**

(45) **Date of Patent:** **\*\* Apr. 30, 2002**

(54) **FRAME PROFILE FOR A MOVEABLE PALLET**

(75) **Inventor:** **Paul Sandström, Box (FI)**

(73) **Assignee:** **K. Hartwall Oy Ab, Soderkulla (FI)**

(\*\*) **Term:** **14 Years**

(21) **Appl. No.:** **29/128,166**

(22) **Filed:** **Aug. 21, 2000**

(51) **LOC (7) Cl.** ..... **12-05**

(52) **U.S. Cl.** ..... **D34/35; D34/38**

(58) **Field of Search** ..... **D34/38, 23; 108/53.3, 108/53.5, 51.1, 56.3, 56.1, 53.1; D21/484, 485, 489, 491; D25/119, 122; 280/32.5, 32.6**

(56) **References Cited**

**U.S. PATENT DOCUMENTS**

D257,247 S \* 10/1980 Powers ..... D34/38  
D425,214 S \* 10/1980 Speck ..... D34/38 X

D338,311 S \* 8/1993 Ausavich et al. .... D34/38  
D378,458 S \* 3/1997 Pigott et al. .... D34/38  
D378,459 S \* 3/1997 Hansen ..... D34/38  
D419,692 S \* 1/2000 Ancel ..... D25/119  
D427,406 S \* 6/2000 Hartwall ..... D34/23  
D436,708 S \* 1/2001 Whiteside ..... D34/27  
D446,870 S \* 8/2001 Gardner ..... D25/119

\* cited by examiner

*Primary Examiner*—Cynthia E. Ramirez

(57) **CLAIM**

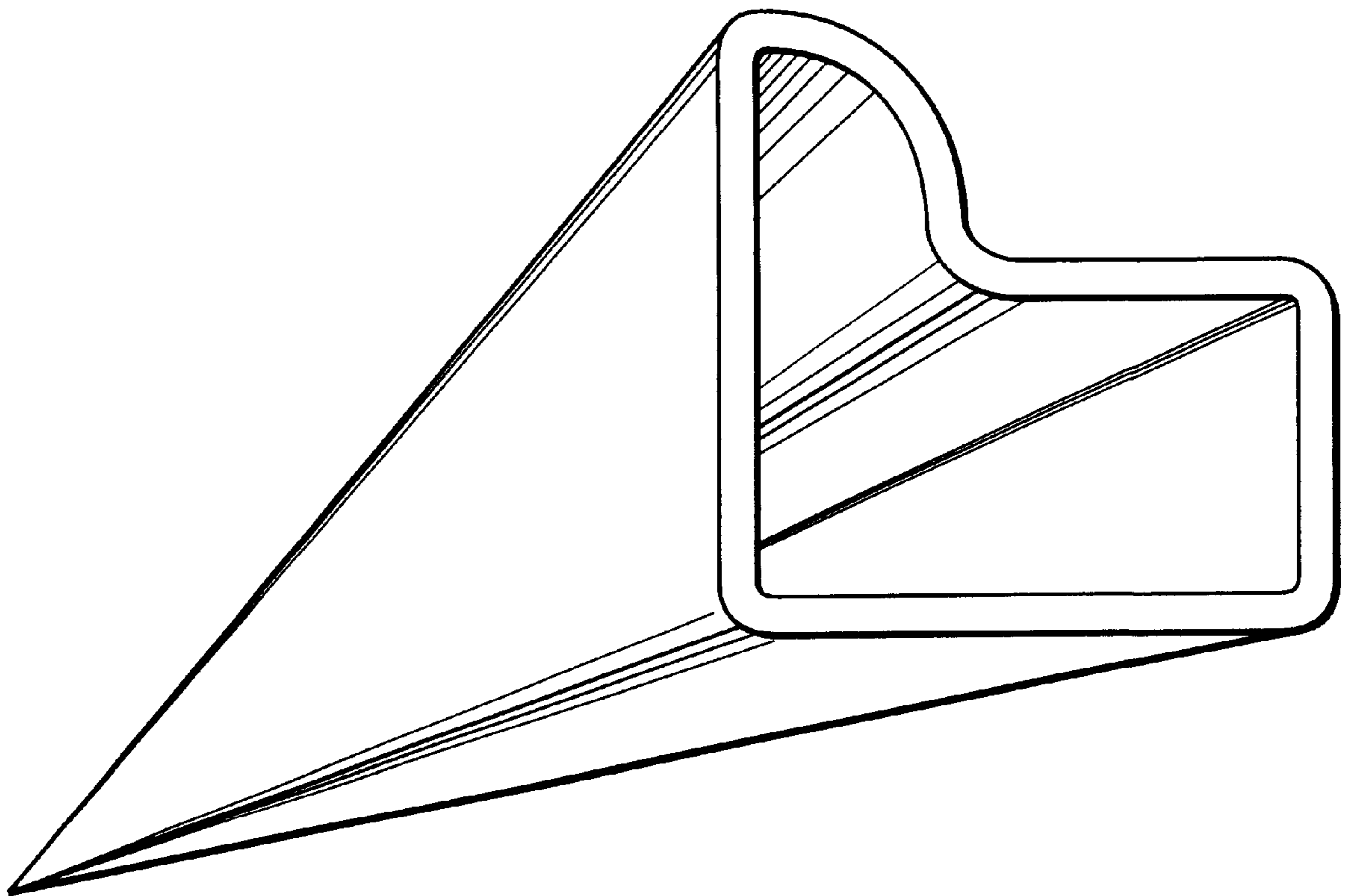
The ornamental design for a frame profile for a movable pallet, as shown and described.

**DESCRIPTION**

FIG. 1 is a front, left, bottom perspective view of the frame profile for a movable pallet showing my new design; and, FIG. 2 is a front, right, top perspective view thereof.

The surfaces or the portions of the article not shown in the drawing or described in the specification form no part of the claim design.

**1 Claim, 2 Drawing Sheets**



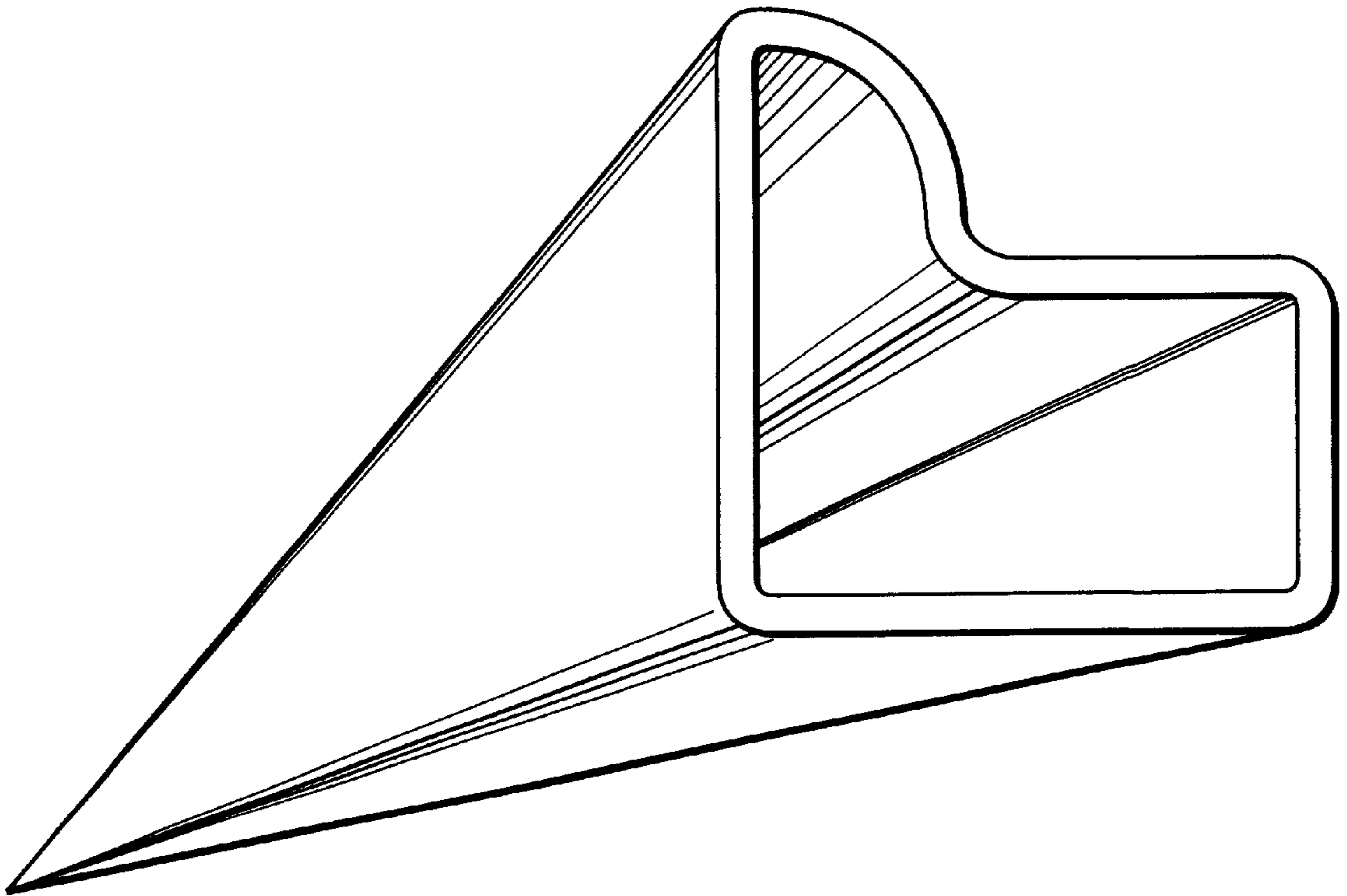


Fig. 1

Fig. 2

