



US00D456584S

(12) **United States Design Patent**
Rainey

(10) **Patent No.:** **US D456,584 S**

(45) **Date of Patent:** **** Apr. 30, 2002**

(54) **HOIST FRAME**

(76) Inventor: **Ricky D. Rainey**, 6860 Slash Pine Dr.,
Walls, MS (US) 38680

(**) Term: **14 Years**

(21) Appl. No.: **29/132,846**

(22) Filed: **Nov. 17, 2000**

(51) **LOC (7) Cl.** **12-05**

(52) **U.S. Cl.** **D34/33**

(58) **Field of Search** D34/33, 35, 31;
254/325, 266; 414/550, 563, 543, 569;
212/294, 295, 901; 452/187, 189

(56) **References Cited**

U.S. PATENT DOCUMENTS

1,840,522 A	*	1/1932	Mossay	452/187
D140,344 S	*	2/1945	Wenger	D34/33
4,969,789 A	*	11/1990	Searle	414/550
D341,242 S	*	11/1993	Thorby	D34/33
D347,721 S	*	6/1994	Carter, Jr.	D34/33
D358,405 S	*	5/1995	Fullerton	D34/28 X
D358,696 S	*	5/1995	Mims	D34/28
5,520,498 A	*	5/1996	DiBartolomeo	414/550

D429,051 S	*	8/2000	Porter	D34/33
D431,890 S	*	10/2000	Twilligear et al.	D34/33
6,138,991 A	*	10/2000	Myers, Jr.	254/325
6,152,675 A	*	11/2000	Compton	414/543

* cited by examiner

Primary Examiner—Cynthia E. Ramirez

(74) *Attorney, Agent, or Firm*—Walker, McKenzie &
Walker, PC

(57) **CLAIM**

The ornamental design for a hoist frame, as shown and described.

DESCRIPTION

FIG. 1 is a perspective view of a hoist frame showing my new design, shown broken away for convenience of illustration;

FIG. 2 is a right side elevation of the hoist frame of FIG. 1, the left side elevation being a mirror image thereof;

FIG. 3 is a front end elevation of the hoist frame of FIG. 1;

FIG. 4 is a rear end elevation of the hoist frame of FIG. 1;

FIG. 5 is a top plan view of the hoist frame of FIG. 1;

FIG. 6 is a bottom plan view of the hoist frame of FIG. 1.

1 Claim, 3 Drawing Sheets

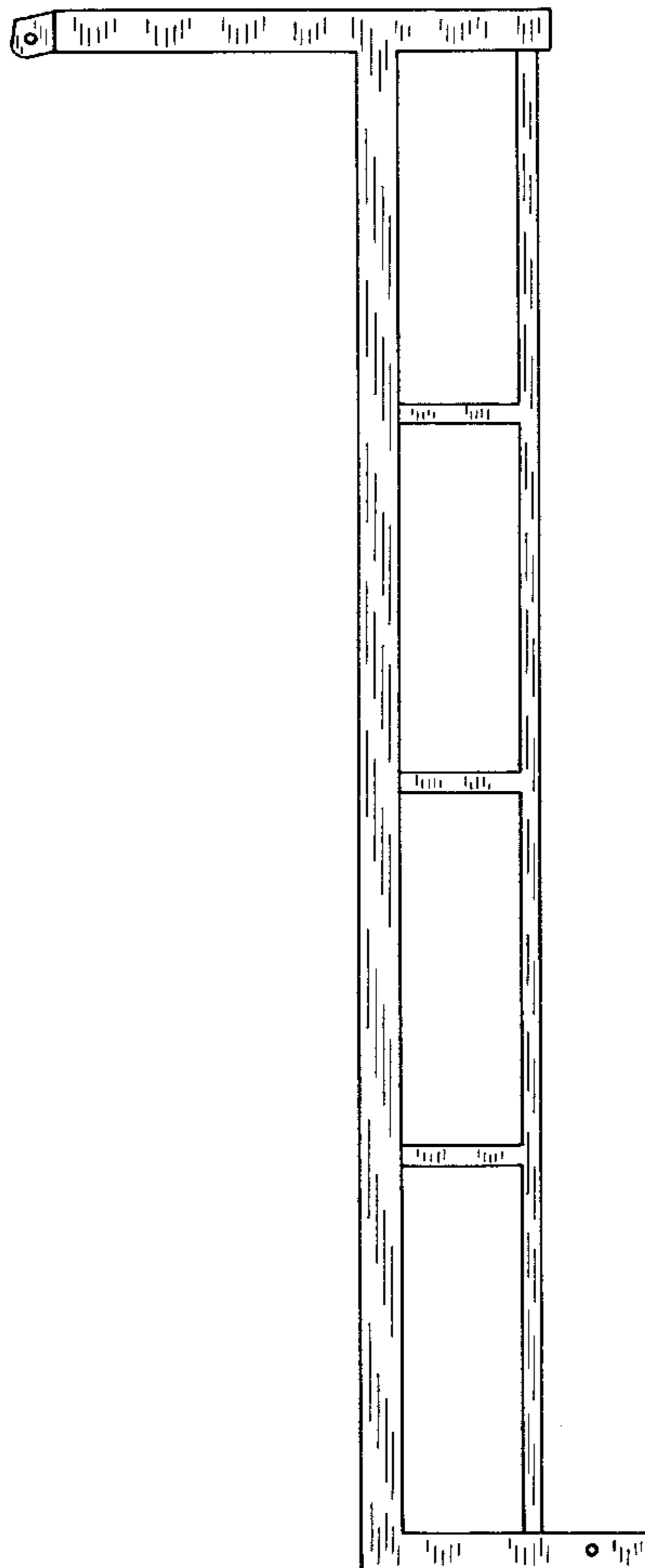


FIG. 1

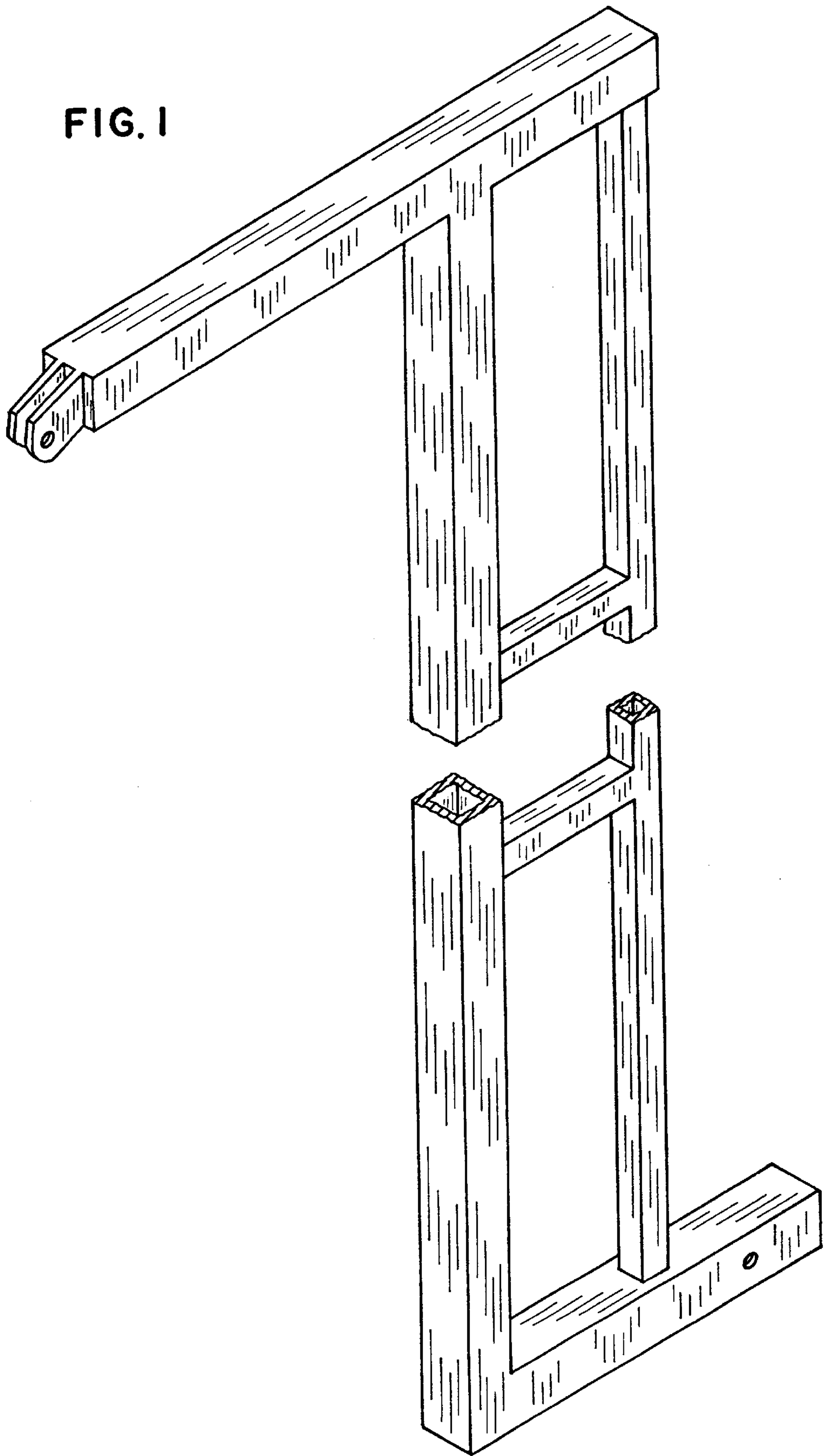


FIG. 2

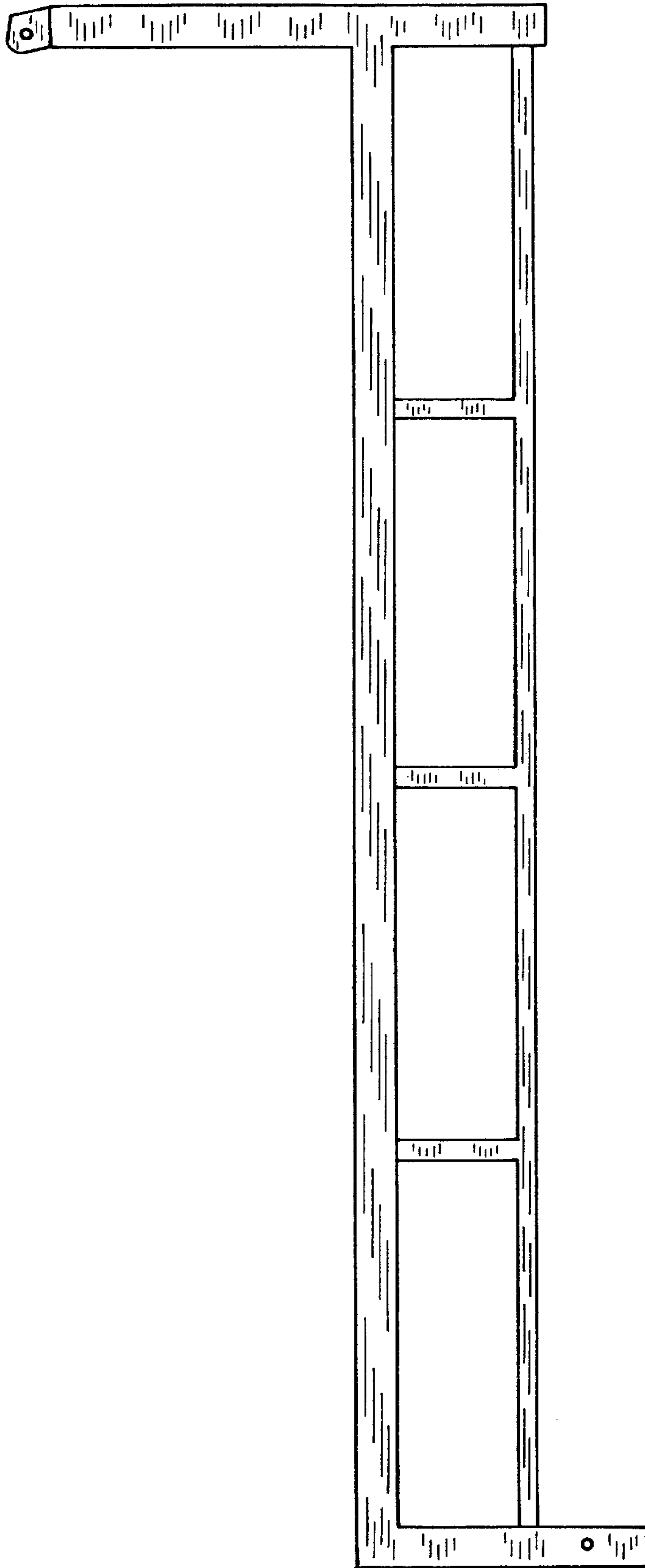


FIG. 3



FIG. 4



FIG. 5



FIG. 6

