



US00D456583S

(12) **United States Design Patent**
Schmidt

(10) **Patent No.:** **US D456,583 S**

(45) **Date of Patent:** **** Apr. 30, 2002**

(54) **SHIPPING CONTAINER HANDLING CRADLE**

(76) Inventor: **Hans H. Schmidt**, 1 Linton Avenue,
Lower Templestowe Vic 3107 (AU)

(**) Term: **14 Years**

(21) Appl. No.: **29/122,702**

(22) Filed: **Apr. 28, 2000**

(30) **Foreign Application Priority Data**

Nov. 1, 1999 (AU) 3573/99

(51) **LOC (7) Cl.** **12-05**

(52) **U.S. Cl.** **D34/28**

(58) **Field of Search** D34/28, 38, 35;
294/116, 104, 118; 108/51.11, 901, 53.3,
54.1, 55.3; 414/458

(56) **References Cited**

U.S. PATENT DOCUMENTS

- 5,006,031 A * 4/1991 Fossing et al. 414/458
- 5,121,805 A * 6/1992 Collie 414/458
- 5,145,307 A * 9/1992 Smethwick et al. 414/458
- D398,728 S * 9/1998 Osborne, Jr. D34/28
- 5,800,114 A * 9/1998 Secondi 414/458
- 5,879,122 A * 3/1999 Voelzke 414/458
- 5,921,337 A * 7/1999 Okamoto 414/458

- D426,693 S * 6/2000 Thomsen D34/38
- 6,071,062 A * 6/2000 Warhurst et al. 414/458
- D430,378 S * 8/2000 Worsoe D34/38
- 6,155,770 A * 12/2000 Warhurst 414/458

* cited by examiner

Primary Examiner—Cynthia E. Ramirez

(74) *Attorney, Agent, or Firm*—James Ray & Associates

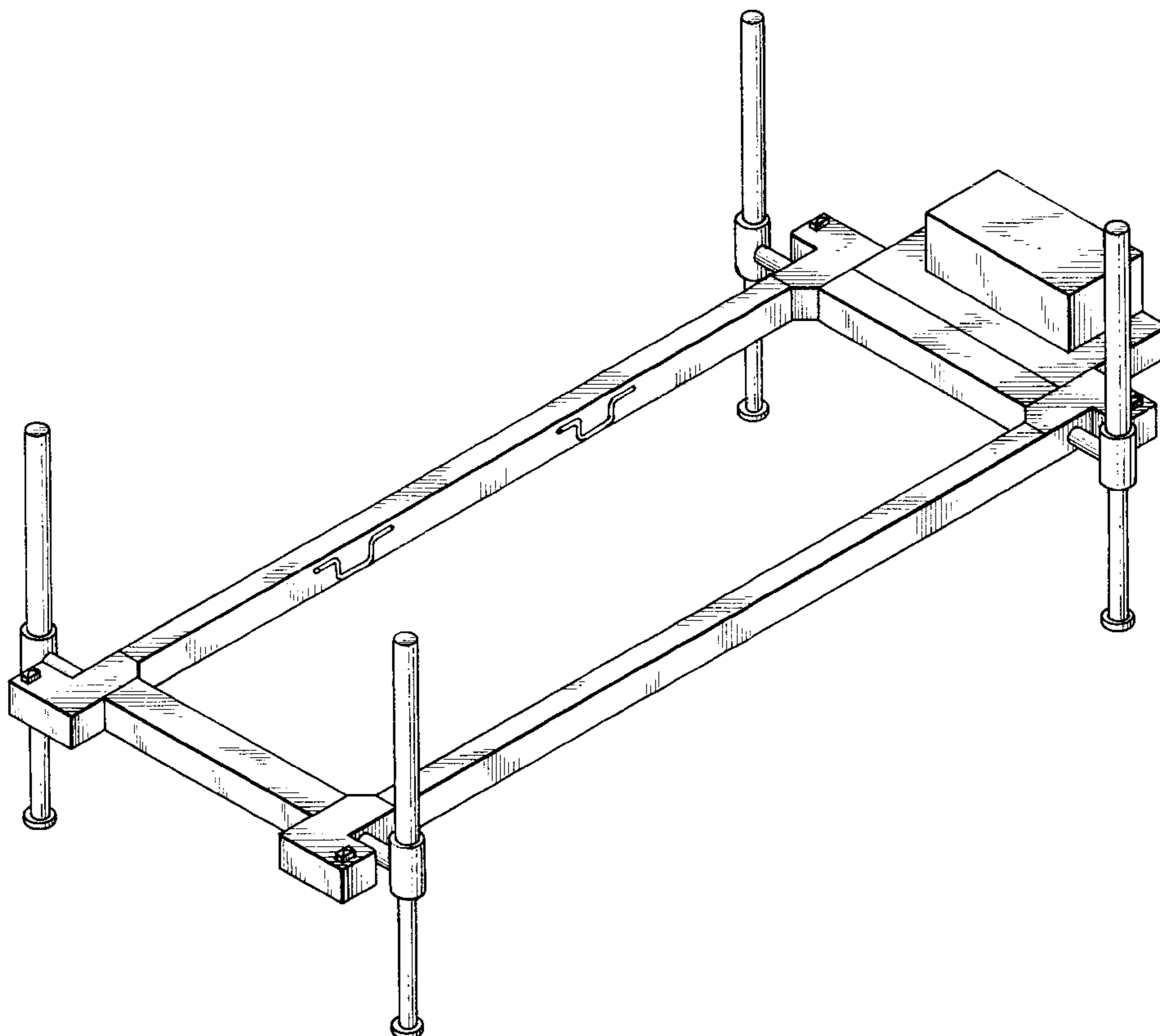
(57) **CLAIM**

The ornamental design for a shipping container handling cradle, as shown and described.

DESCRIPTION

FIG. 1 is a plan view of the shipping container handling cradle showing my new design;
 FIG. 2 is a side view of the cradle;
 FIG. 3 is a perspective view of the cradle;
 FIG. 4 is a side view of the cradle holding a container in a raised position over a truck trailer;
 FIG. 5 is an end view of the cradle on the ground supporting a container; and,
 FIG. 6 is an end view showing the container being supported in a raised position by the cradle.
 The broken line showing of a truck and container in the respective figures is for illustrative purposes only and forms no part of the claimed design.

1 Claim, 4 Drawing Sheets



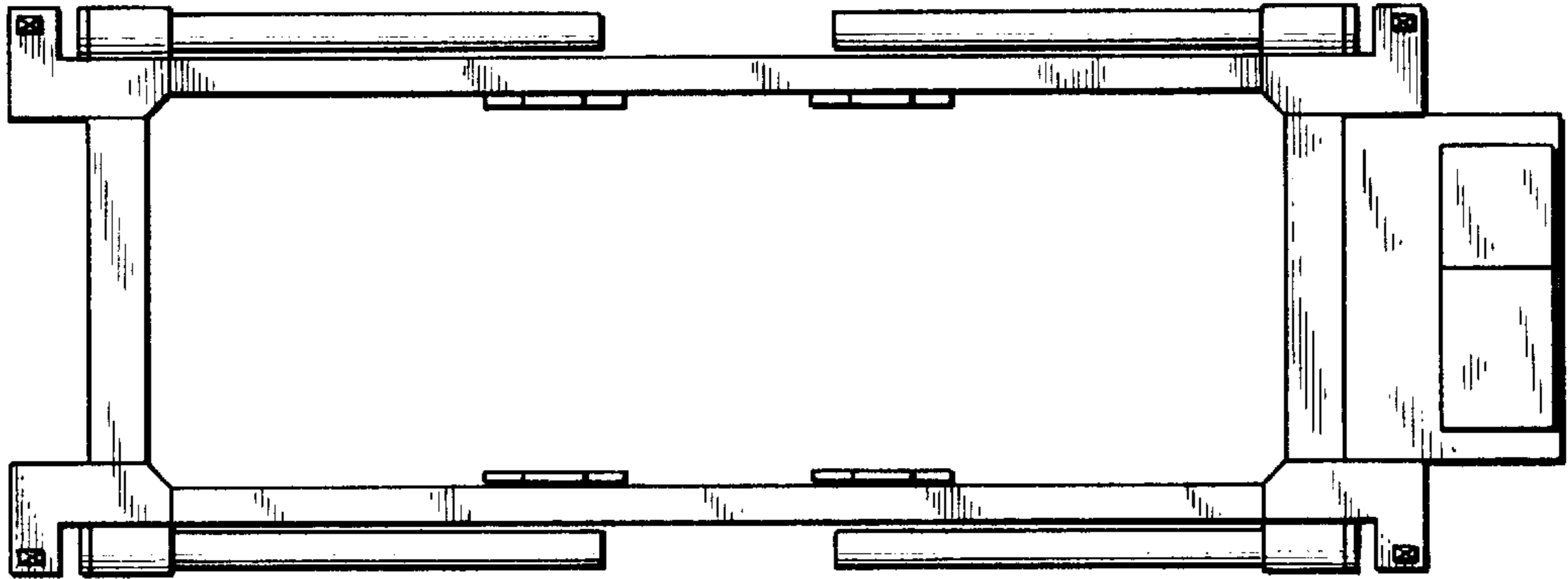


FIG. 1

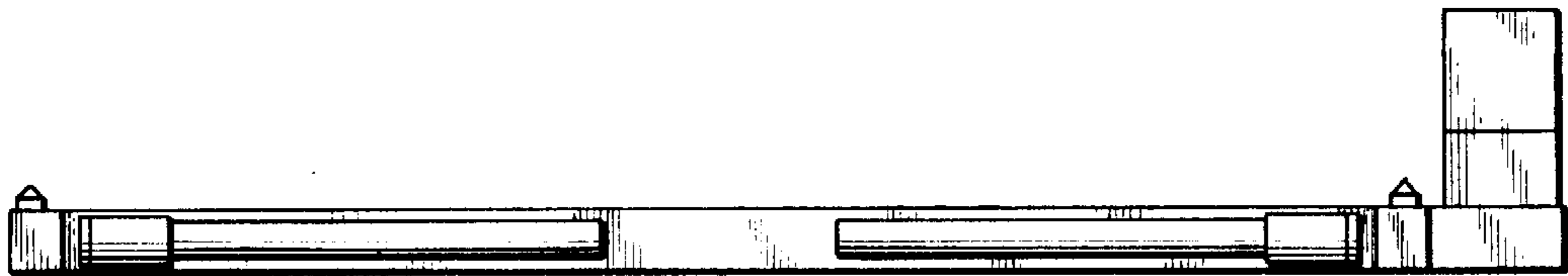


FIG. 2

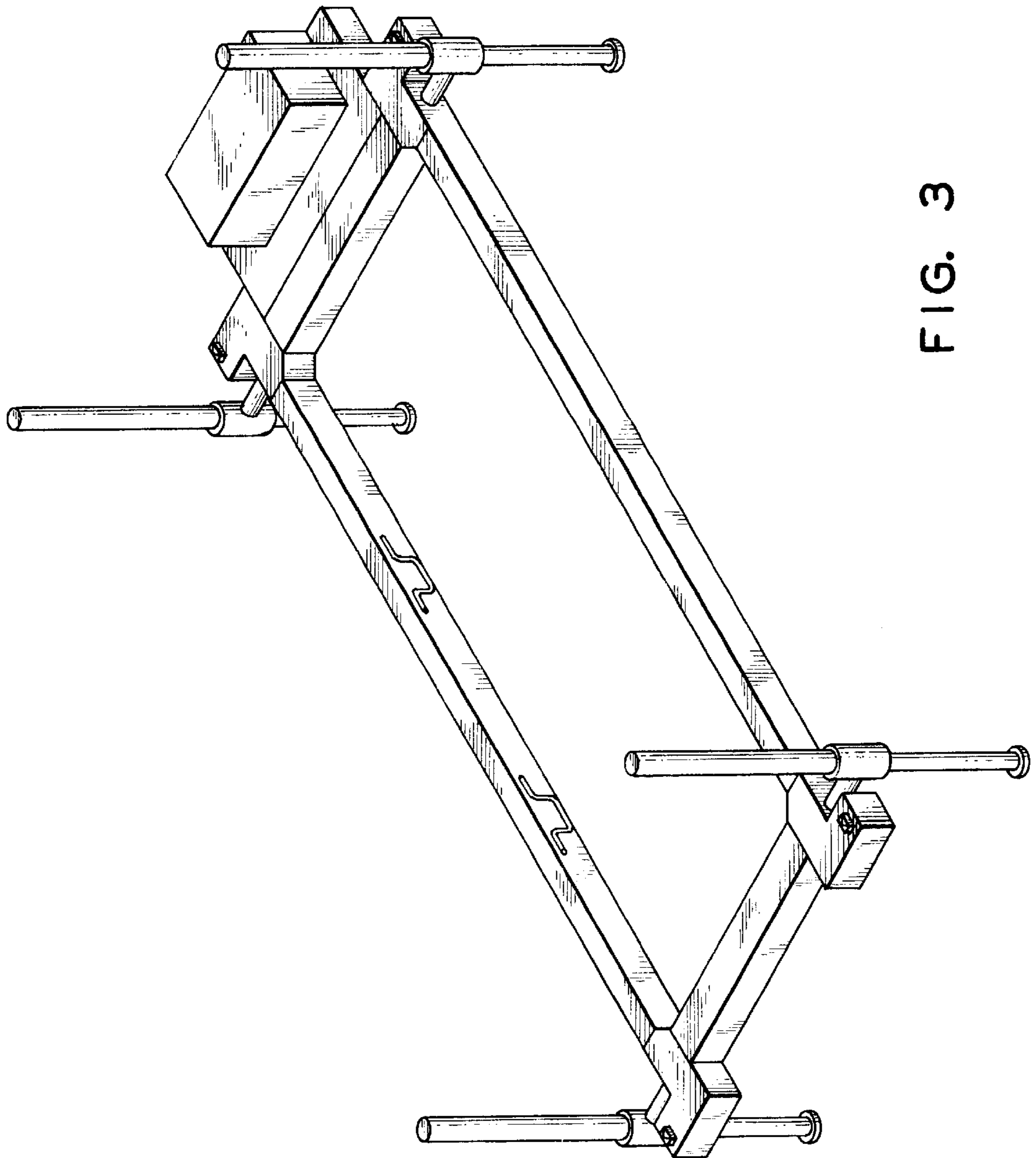


FIG. 3

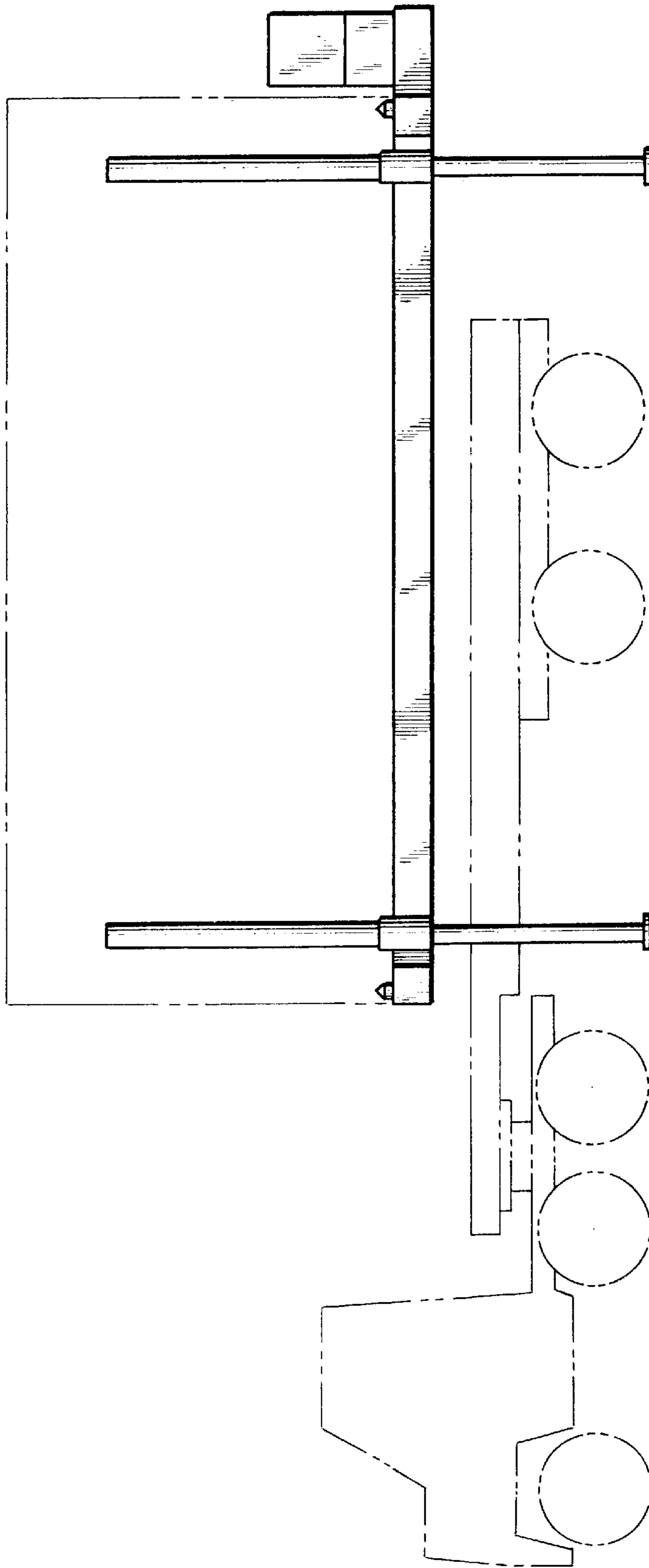


FIG. 4

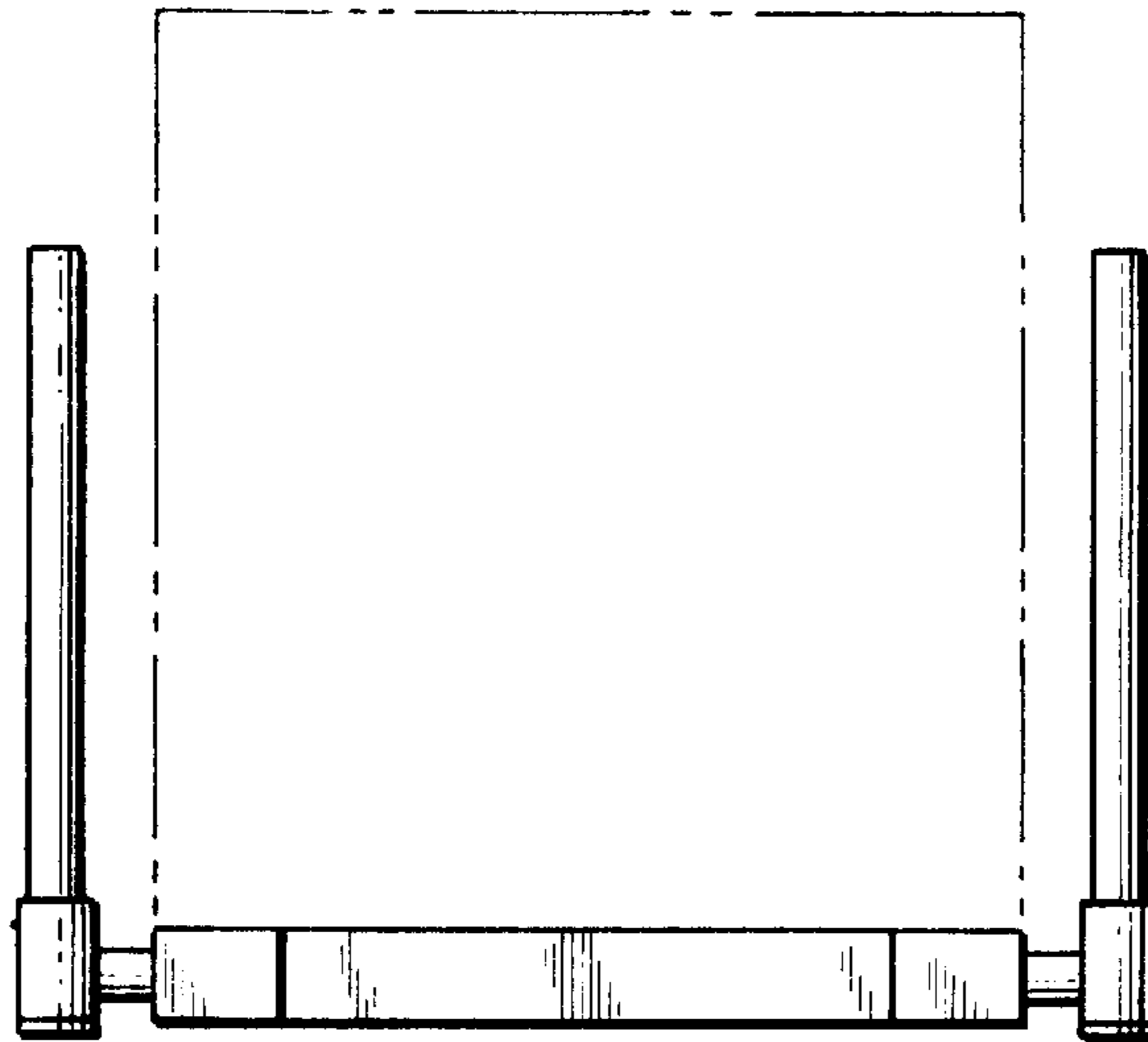


FIG. 5

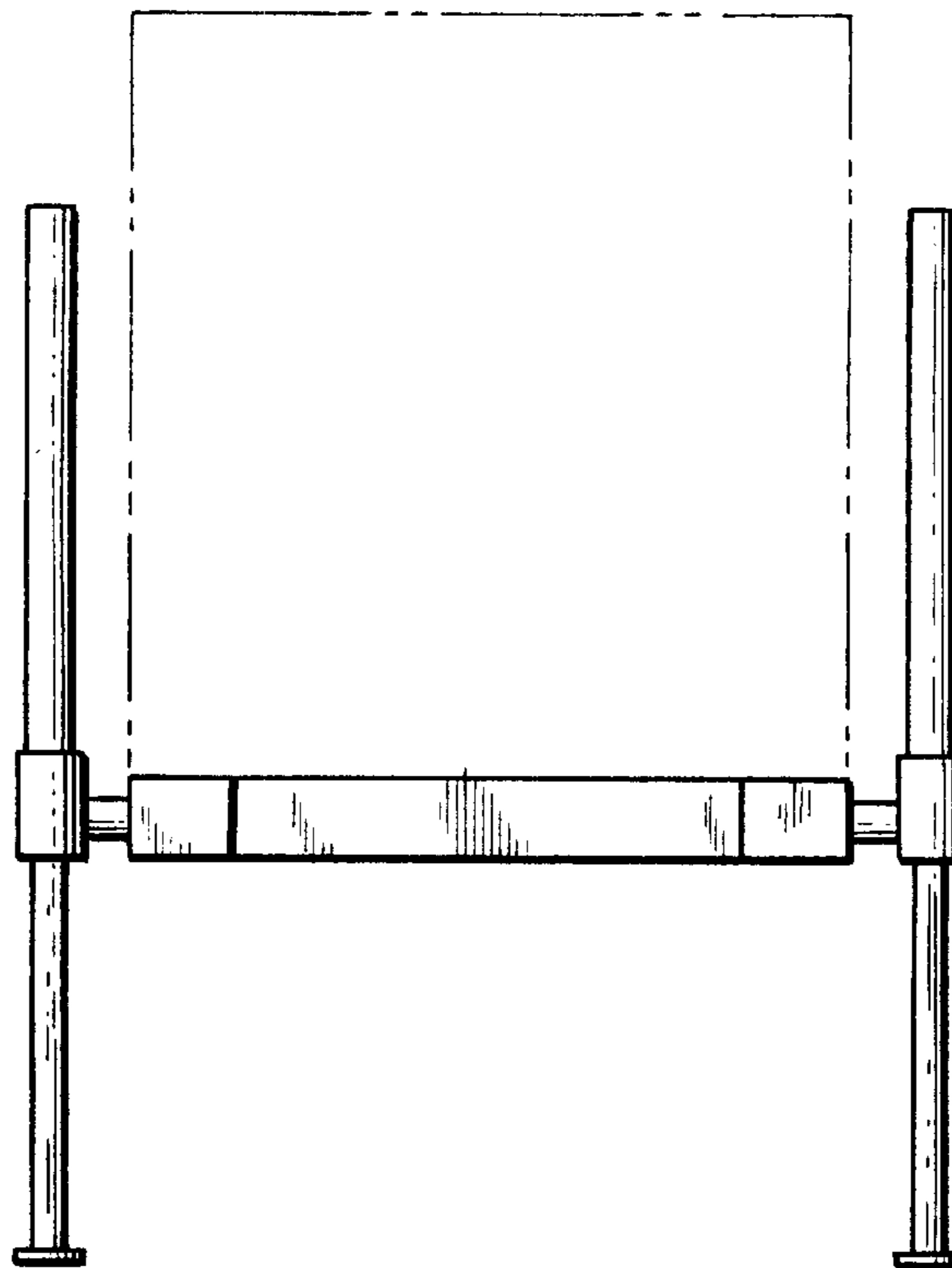


FIG. 6