



US00D456582S

(12) **United States Design Patent**  
**Riach**

(10) **Patent No.:** **US D456,582 S**

(45) **Date of Patent:** **\*\* Apr. 30, 2002**

(54) **TABLE CART**

(75) **Inventor:** **Jeffrey M. Riach**, Cockeysville, MD  
(US)

(73) **Assignee:** **Oakworks, Inc.**, New Freedom, PA  
(US)

(\*\*) **Term:** **14 Years**

(21) **Appl. No.:** **29/139,686**

(22) **Filed:** **Apr. 5, 2001**

**Related U.S. Application Data**

(60) **Provisional application No.** 60/197,942, filed on Apr. 17, 2000.

(51) **LOC (7) Cl.** ..... **12-02**

(52) **U.S. Cl.** ..... **D34/24; D34/26**

(58) **Field of Search** ..... D34/12-27; 280/654,  
280/684, 47.19, 47.18, 47.24, 47.26, 47.27,  
47.29, 79.11, 79.3, 33.991, 33.992

(56) **References Cited**

**U.S. PATENT DOCUMENTS**

D269,215 S \* 5/1983 Caine ..... D34/17  
D331,135 S \* 11/1992 Lewandowski et al. .... D34/18

D345,842 S \* 4/1994 Sloan et al. .... D34/26  
D408,606 S \* 4/1999 Hurt ..... D34/24  
D409,347 S \* 5/1999 Hurt ..... D34/24  
5,971,424 A \* 10/1999 Ingalls ..... 280/654

\* cited by examiner

*Primary Examiner*—Kay H. Chin

(74) *Attorney, Agent, or Firm*—Nixon Peabody LLP;  
Charles M. Leedom, Jr.; Daniel S. Song

(57) **CLAIM**

The ornamental design for a table cart, as shown and described.

**DESCRIPTION**

FIG. 1 is a perspective view of a table cart showing my new design;

FIG. 2 is a left side view thereof;

FIG. 3 is a right side view thereof;

FIG. 4 is a front view thereof;

FIG. 5 is a back view thereof;

FIG. 6 is a top view thereof;

FIG. 7 is a bottom view thereof; and,

FIG. 8 is a side view thereof showing the table cart in its folded configuration.

**1 Claim, 6 Drawing Sheets**

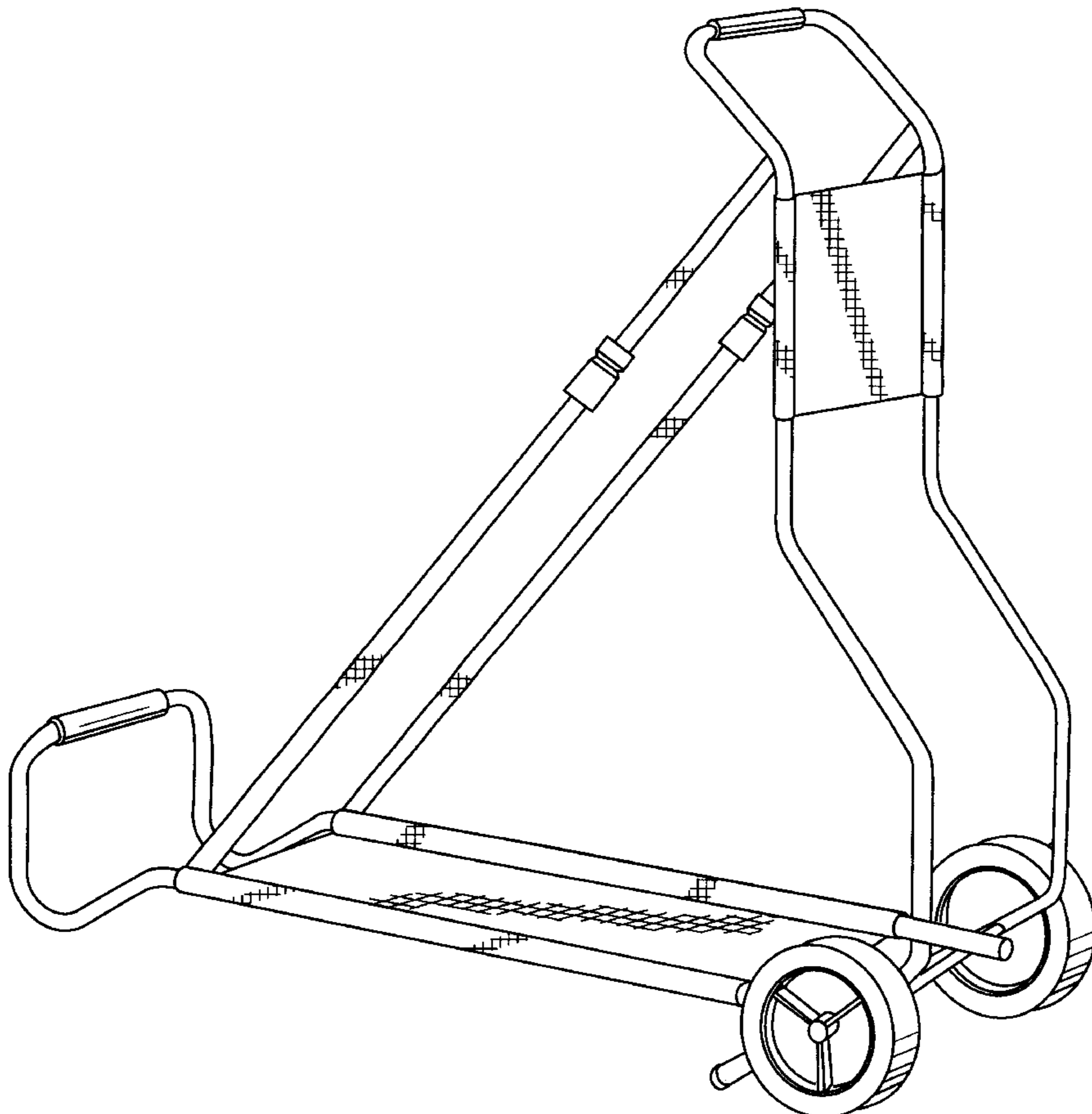
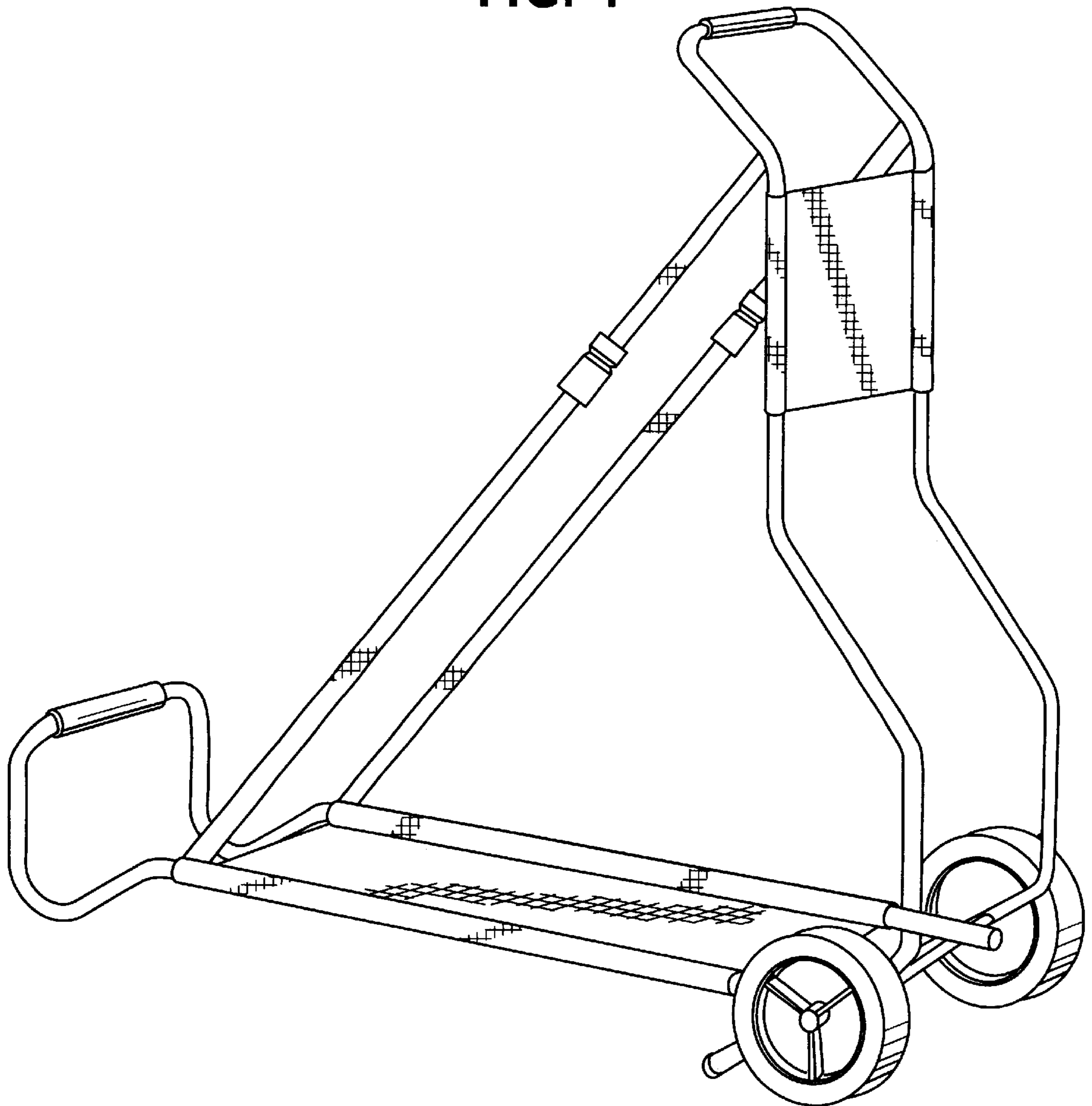
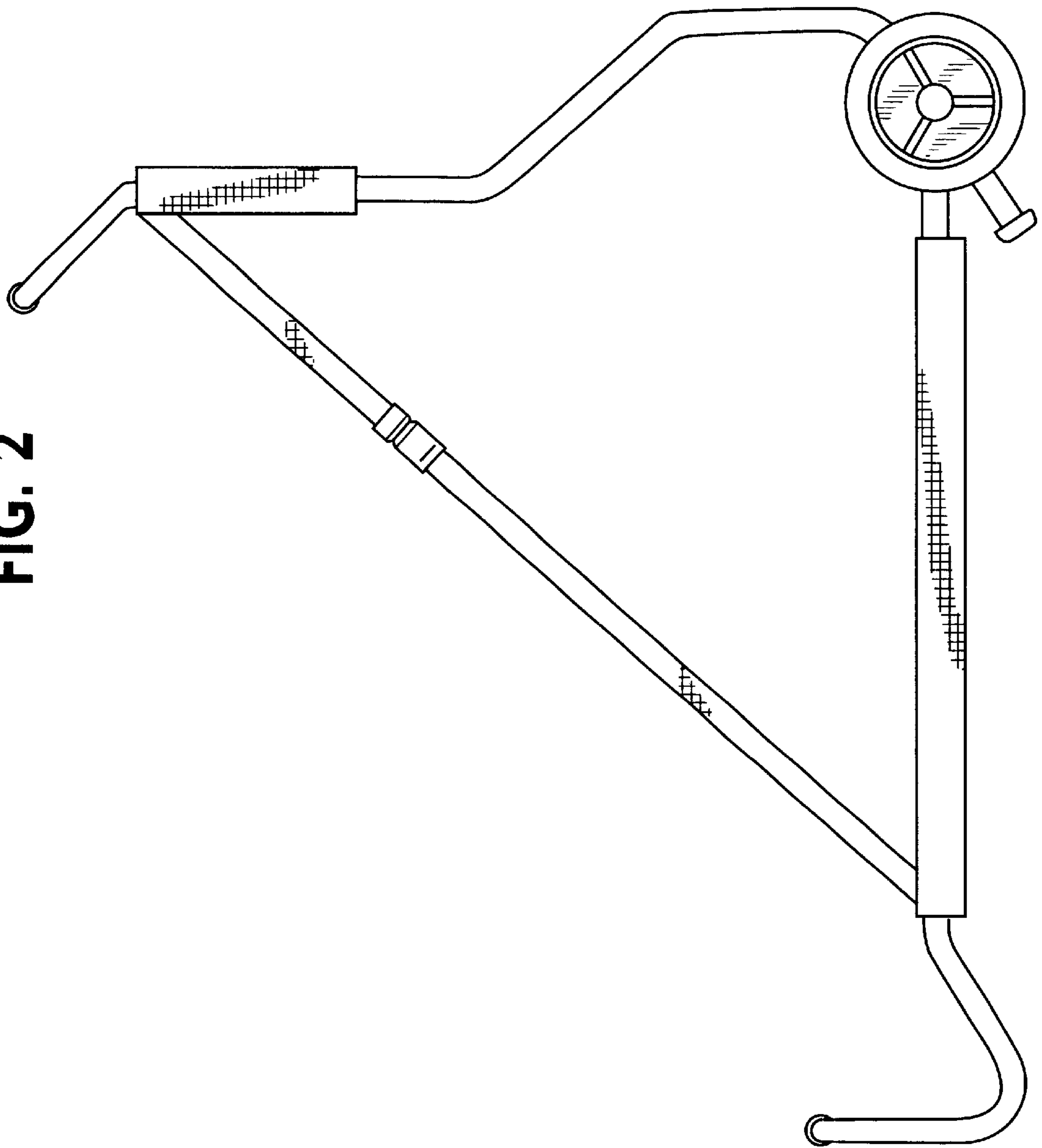


FIG. 1



**FIG. 2**



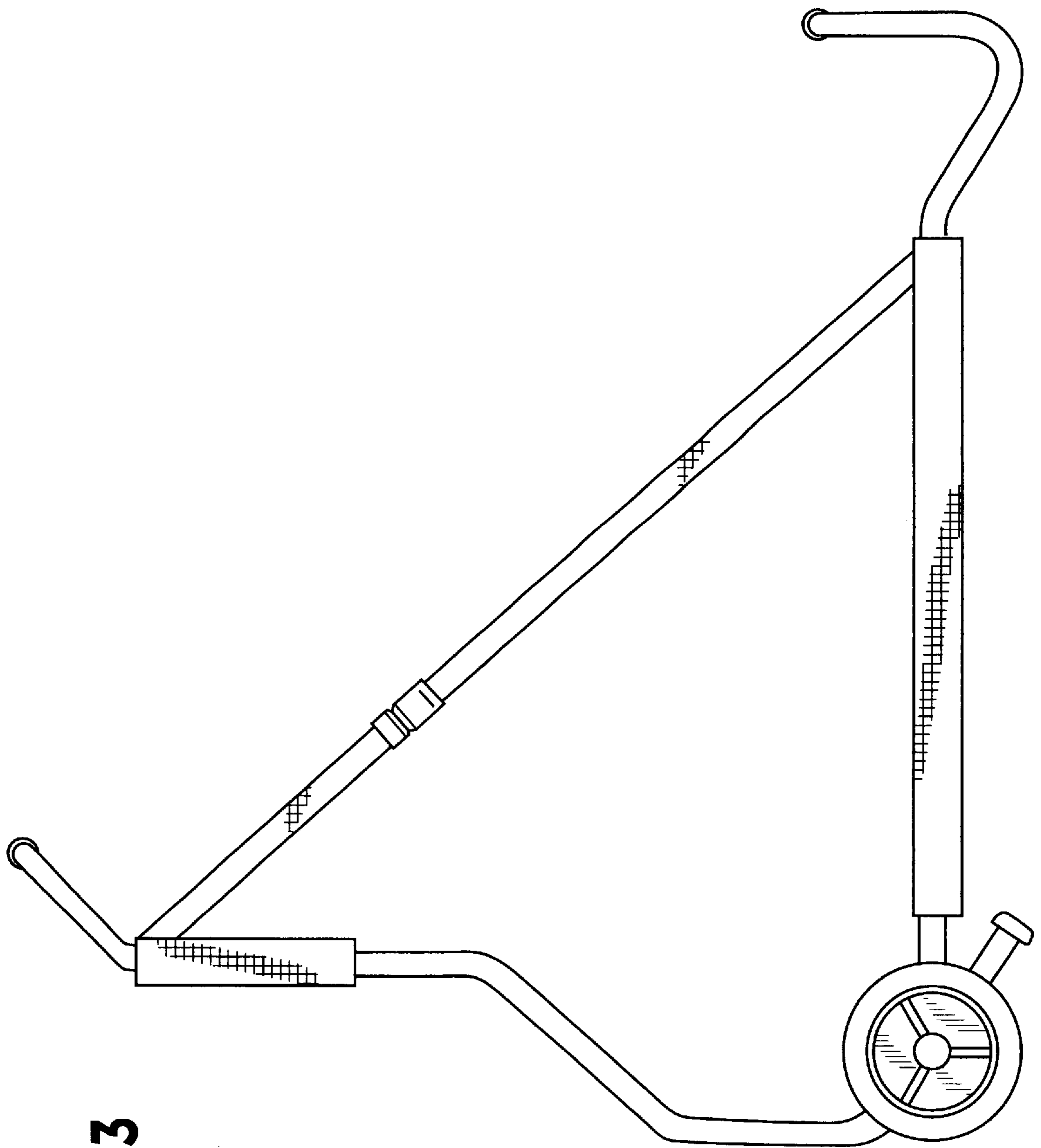


FIG. 3

FIG. 5

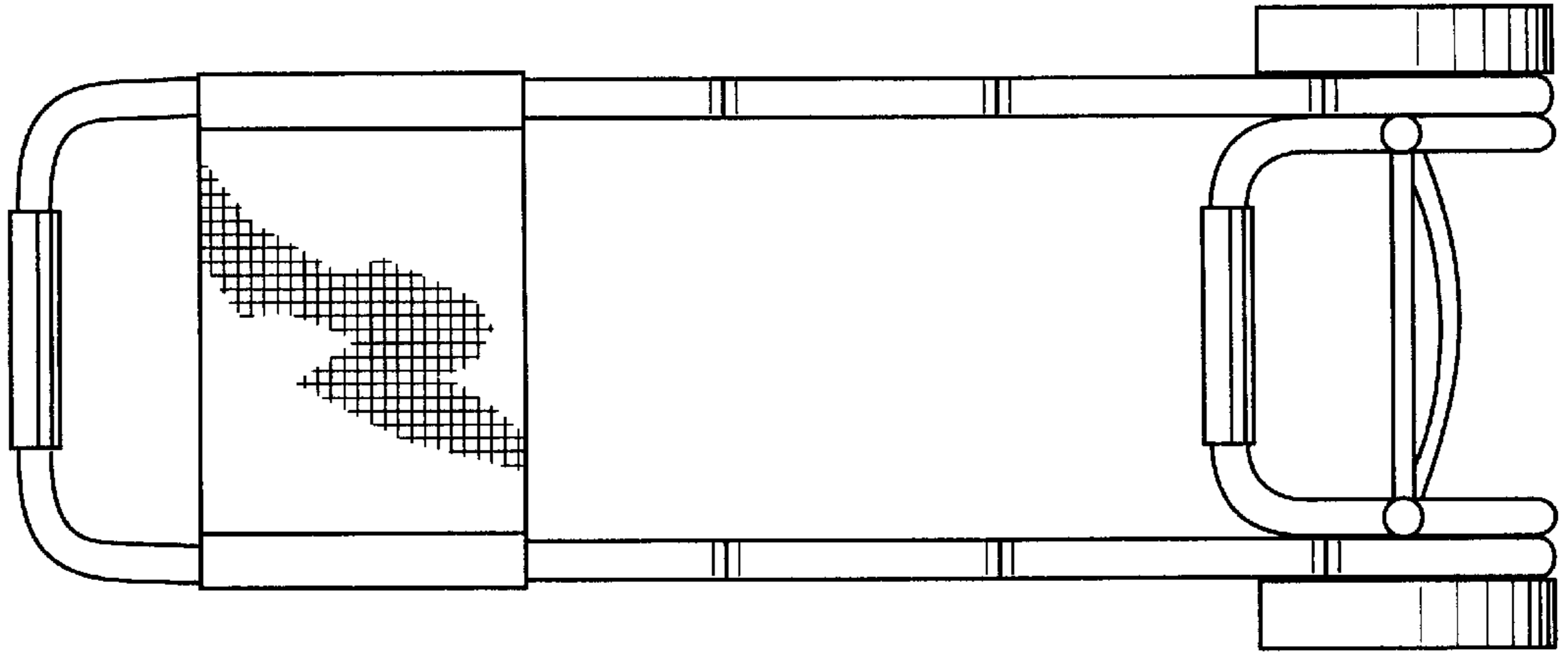
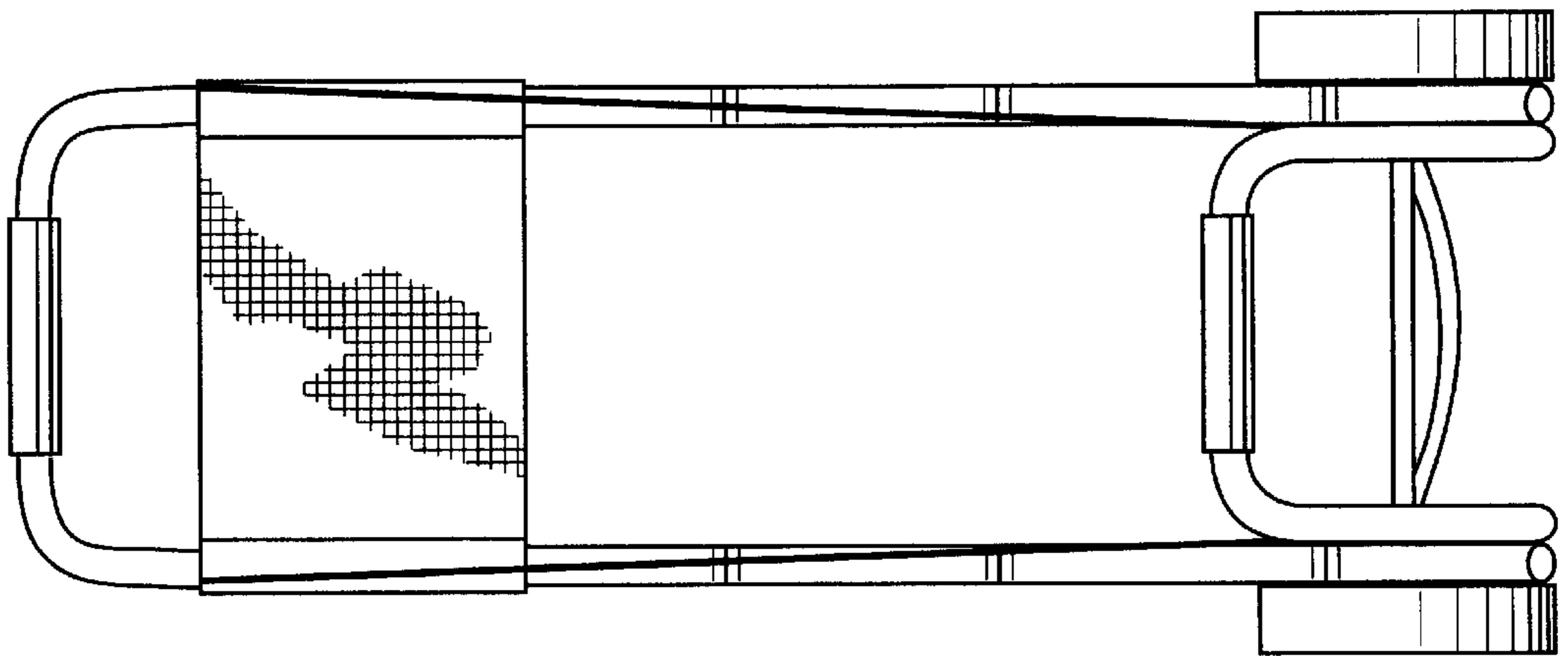
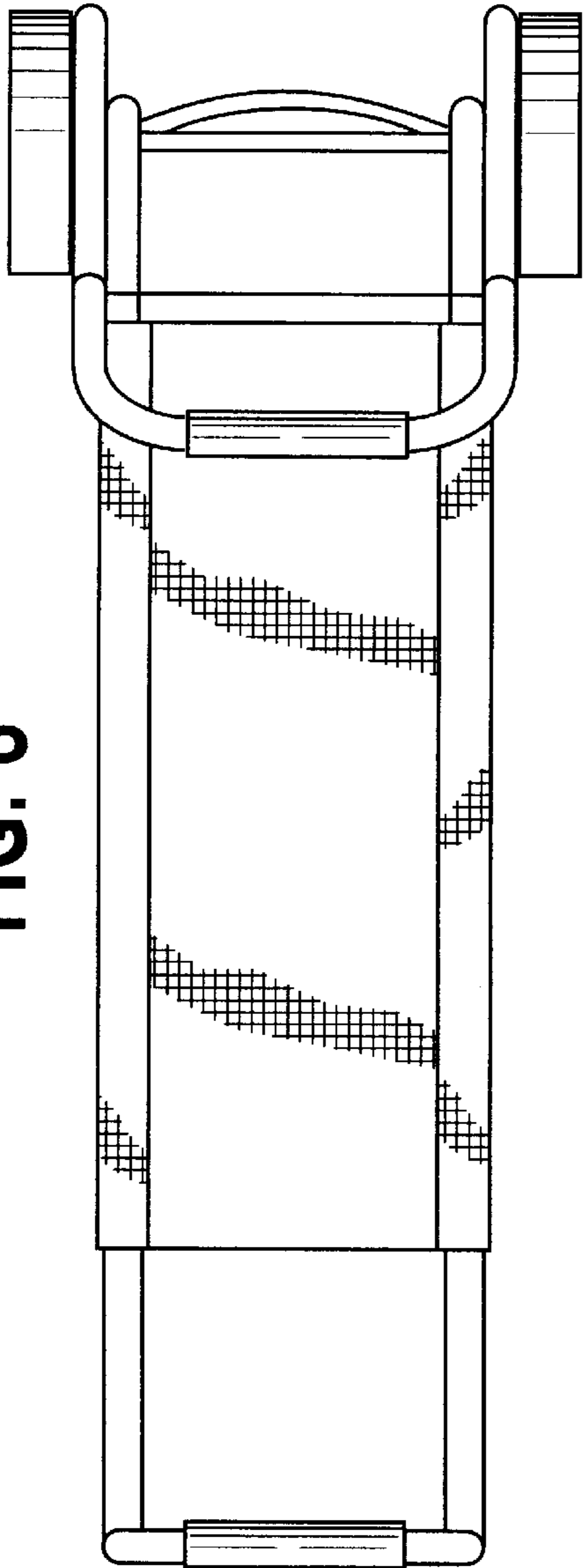


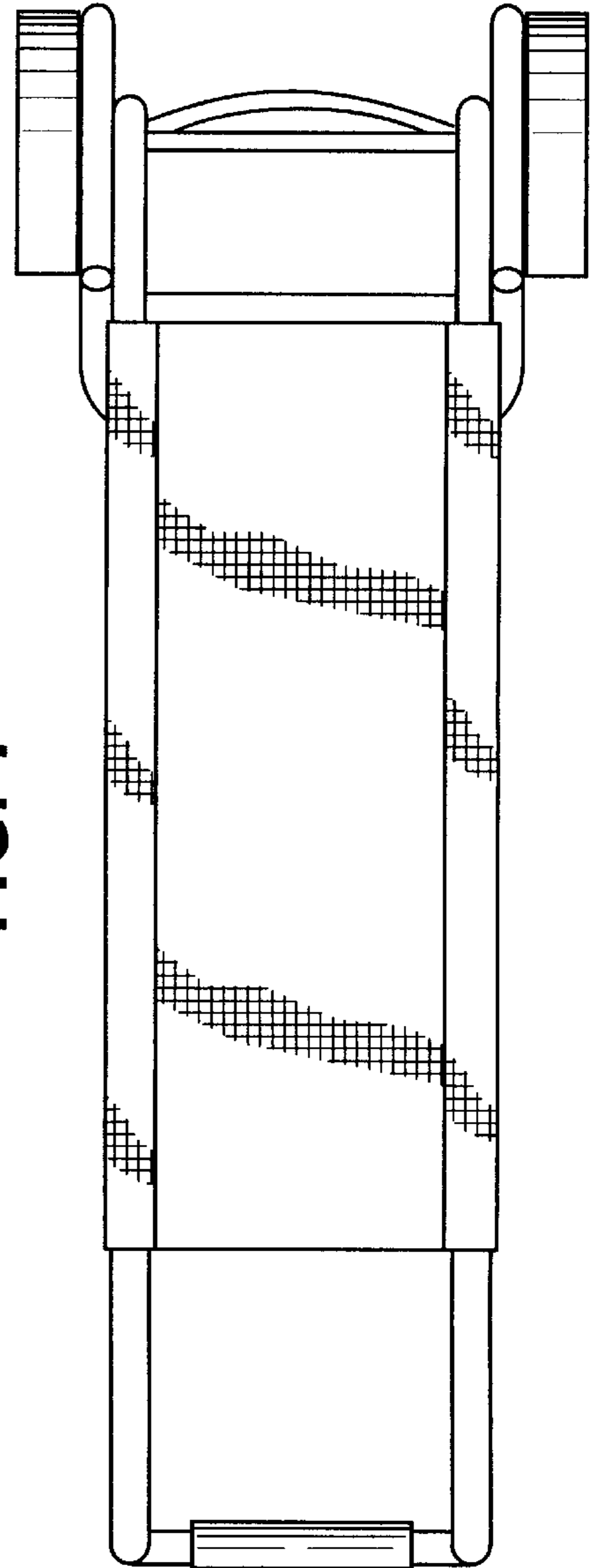
FIG. 4



**FIG. 6**



**FIG. 7**



**FIG. 8**

