



US00D456581S

(12) **United States Design Patent**
Washek

(10) **Patent No.:** **US D456,581 S**

(45) **Date of Patent:** **** Apr. 30, 2002**

(54) **CONTAINER FOR USE IN COLLECTING DEBRIS**

(76) **Inventor:** **Robert J. Washek**, 8 Cedarhill Rd.,
P.O. Box 179, Dover, MA (US) 02030

(**) **Term:** **14 Years**

(21) **Appl. No.:** **29/137,127**

(22) **Filed:** **Feb. 13, 2001**

(51) **LOC (7) Cl.** **09-09**

(52) **U.S. Cl.** **D34/7**

(58) **Field of Search** D34/1, 4, 5, 6,
D34/7, 8, 9, 10; 220/908-911; D32/53,
53.1, 54, 37

- D340,553 S * 10/1993 Sahm, Jr. D34/1
- D342,816 S 12/1993 Diotte
- D346,249 S * 4/1994 Peltier, III et al. D32/53.1
- D349,795 S * 8/1994 Schauer et al. D34/5
- D350,425 S * 9/1994 Walker D32/53.1
- D354,602 S * 1/1995 Goubaud D34/28
- 5,433,462 A 7/1995 Groleau
- D376,237 S 12/1996 Hayes, Sr. et al.
- D377,554 S * 1/1997 Adriaansen D34/7
- D384,461 S 9/1997 Kouvdos
- 5,697,625 A 12/1997 Otto
- D401,027 S 11/1998 Mueller
- D428,542 S 7/2000 Young
- D441,160 S * 4/2001 Lin D34/7
- D442,330 S * 5/2001 Cousin D34/7

* cited by examiner

Primary Examiner—Cynthia E. Ramirez

(74) *Attorney, Agent, or Firm*—Kriegsman & Kriegsman

(56) **References Cited**

U.S. PATENT DOCUMENTS

- 571,513 A 11/1896 Davidson
- 4,312,531 A 1/1982 Cross
- 4,470,627 A 9/1984 Carroll et al.
- D312,160 S * 11/1990 Calvi D34/7
- D312,161 S * 11/1990 Toscano D34/7
- 5,009,378 A 4/1991 Linsmeyer et al.
- 5,014,943 A 5/1991 Nelson et al.
- D322,704 S 12/1991 Cummings, III
- 5,074,500 A * 12/1991 Loebert 248/99
- D324,281 S * 2/1992 Brusing D34/1
- D327,965 S * 7/1992 Chelec D34/7
- D329,312 S * 9/1992 Ross D34/37
- 5,183,339 A 2/1993 Williams
- D333,897 S * 3/1993 Ward D34/7
- 5,222,536 A 6/1993 Hodgdon et al.

(57) **CLAIM**

The ornamental design for a container for use in collecting debris, as shown and described.

DESCRIPTION

FIG. 1 is a left side view of a container for use in collecting debris of this invention; the right side view being a mirror image thereof;

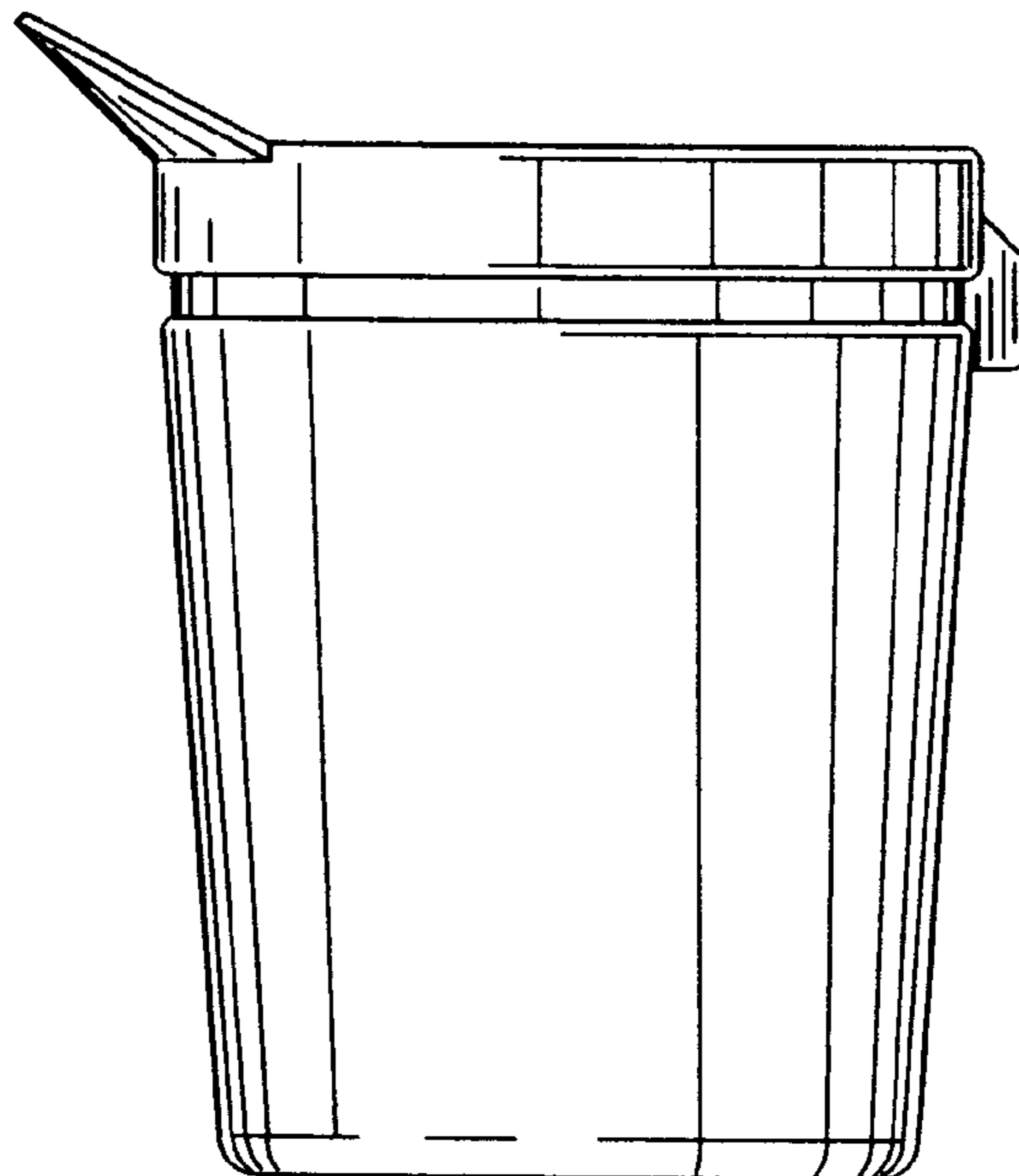
FIG. 2 is a top view thereof;

FIG. 3 is a bottom view thereof;

FIG. 4 is a back view thereof; and,

FIG. 5 is a front side view thereof.

1 Claim, 2 Drawing Sheets



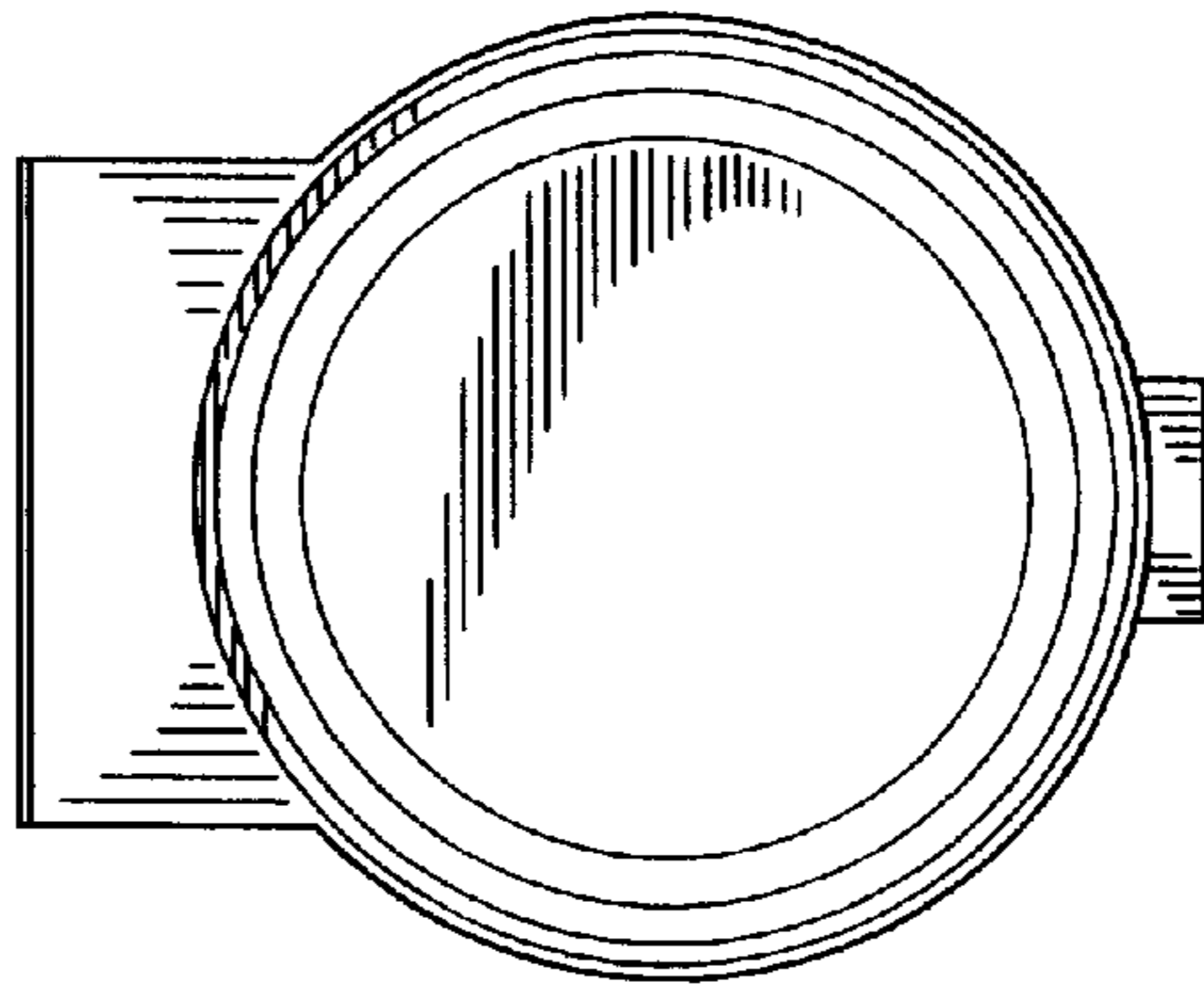


FIG. 2

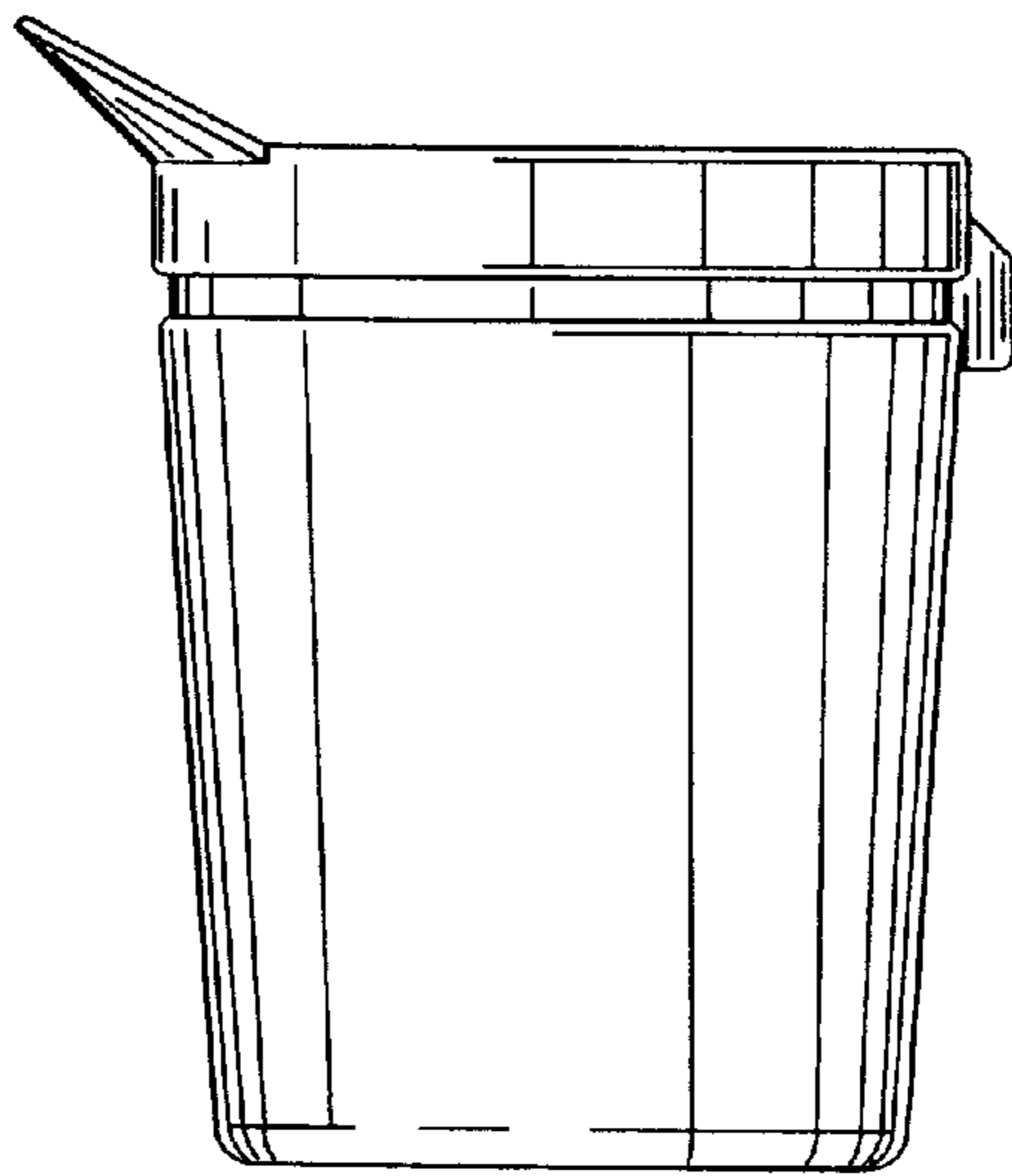


FIG. 1

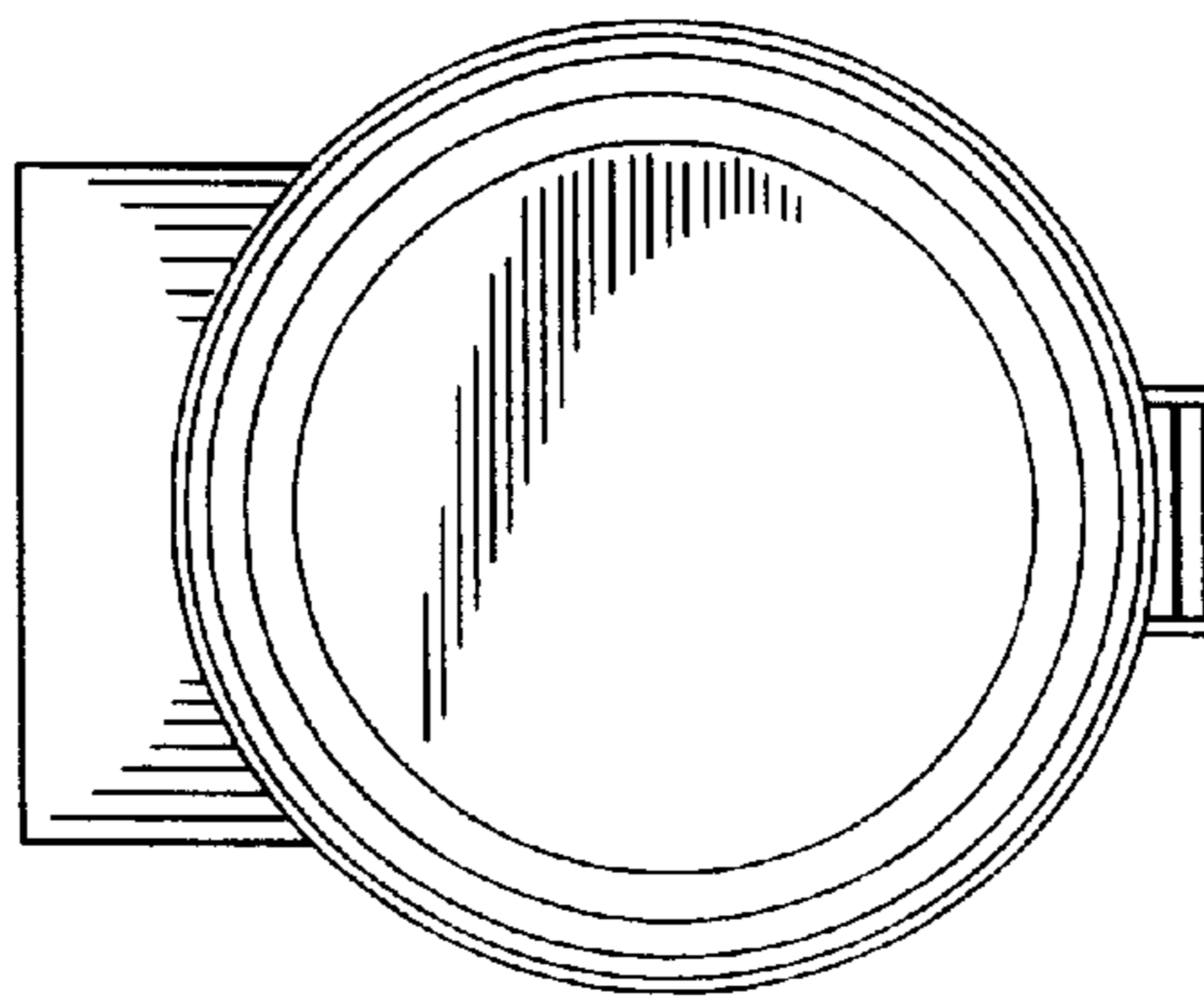


FIG. 3

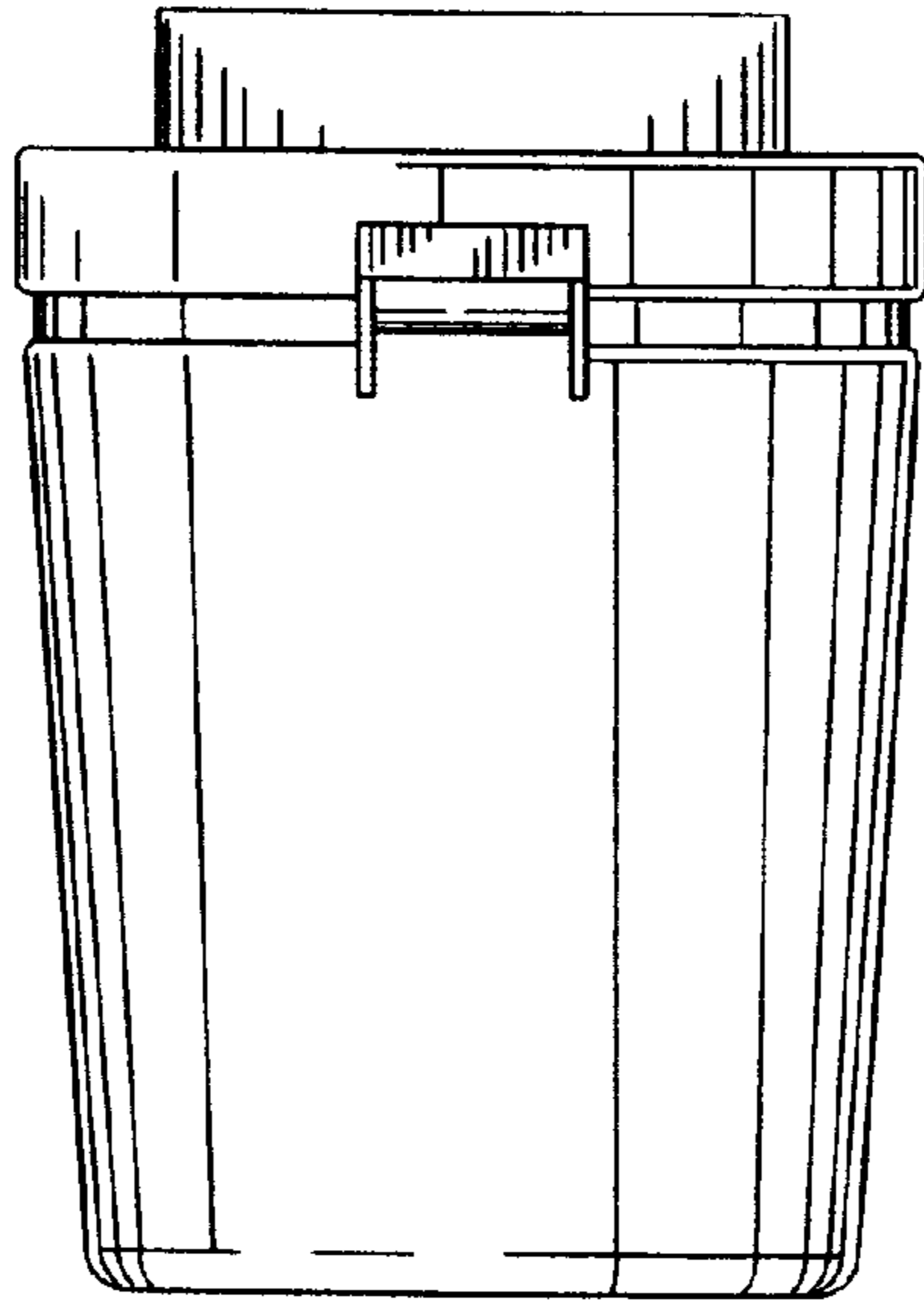


FIG. 5

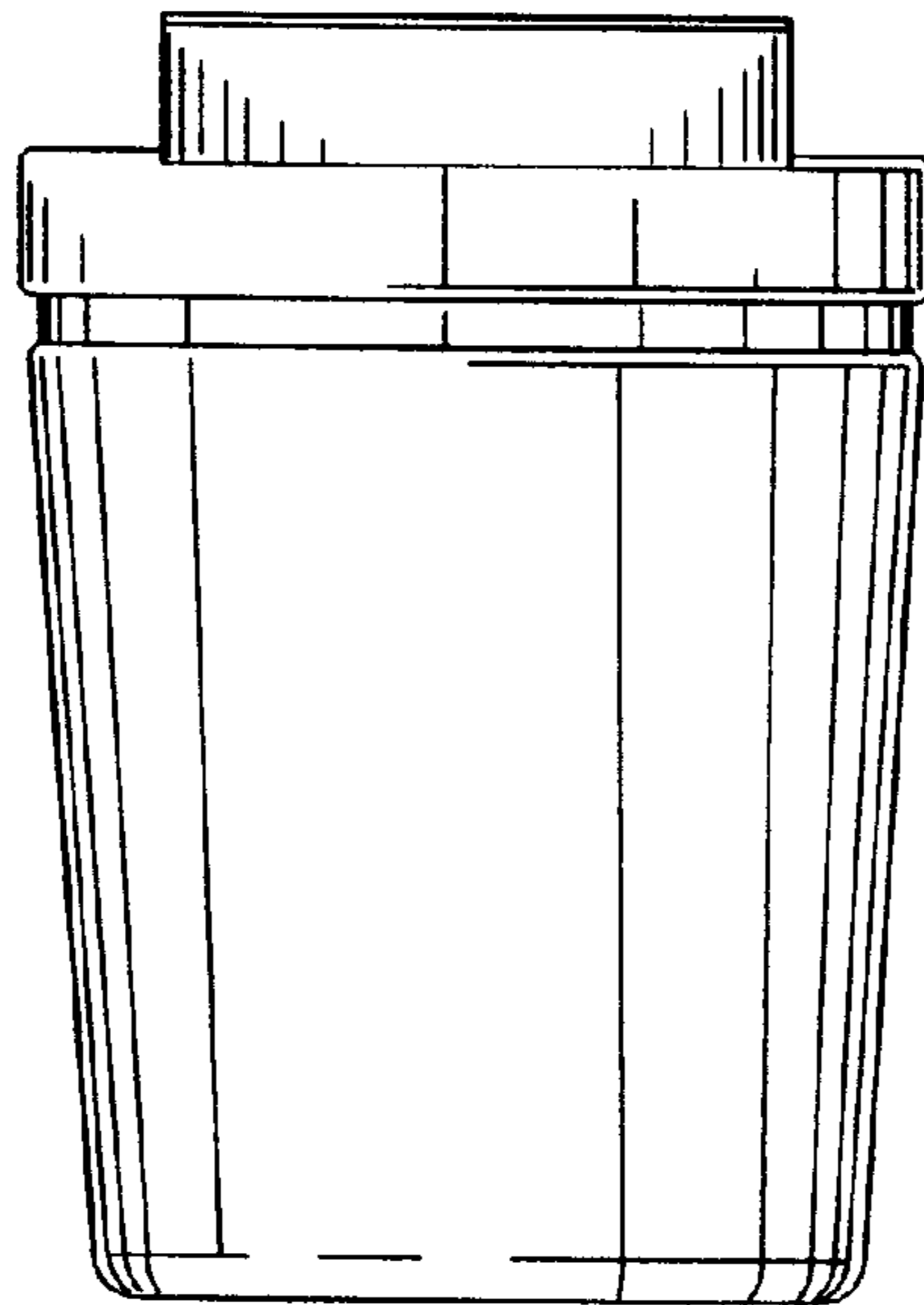


FIG. 4