



US00D456580S

(12) **United States Design Patent**
Kato et al.

(10) **Patent No.:** **US D456,580 S**

(45) **Date of Patent:** **** Apr. 30, 2002**

(54) **FRAME FOR FACILITATING PACKAGING OF GOODS**

(75) Inventors: **Norman Kato**, Shaver Lake; **Tom Howell**, San Jose, both of CA (US)

(73) Assignee: **ShopEaze.com, Inc.**, Santa Clara, CA (US)

(**) Term: **14 Years**

(21) Appl. No.: **29/134,654**

(22) Filed: **Mar. 8, 2001**

(51) **LOC (7) Cl.** **09-09**

(52) **U.S. Cl.** **D34/6**

(58) **Field of Search** D34/6, 5; D6/458, D6/462, 466; 248/97, 99, 100, 95

(56) **References Cited**

U.S. PATENT DOCUMENTS

D264,653	S	*	6/1982	Adamson	D34/6
4,538,783	A	*	9/1985	Stobbe	248/99
D296,258	S	*	6/1988	Nelson	D34/6
4,860,982	A	*	8/1989	Berlant	248/100
4,867,401	A	*	9/1989	Graff	248/99
4,981,274	A	*	1/1991	McVay et al.	248/99

D319,715	S	*	9/1991	Omdahl	D34/6
D371,659	S	*	7/1996	Goldman	D34/6
D404,861	S	*	1/1999	Balensiefer, II	D32/37
5,927,856	A	*	7/1999	Hung	248/99
D424,265	S	*	5/2000	Rosky	D34/6

* cited by examiner

Primary Examiner—Cynthia E. Ramirez

(74) *Attorney, Agent, or Firm*—Townsend and Townsend and Crew LLP

(57) **CLAIM**

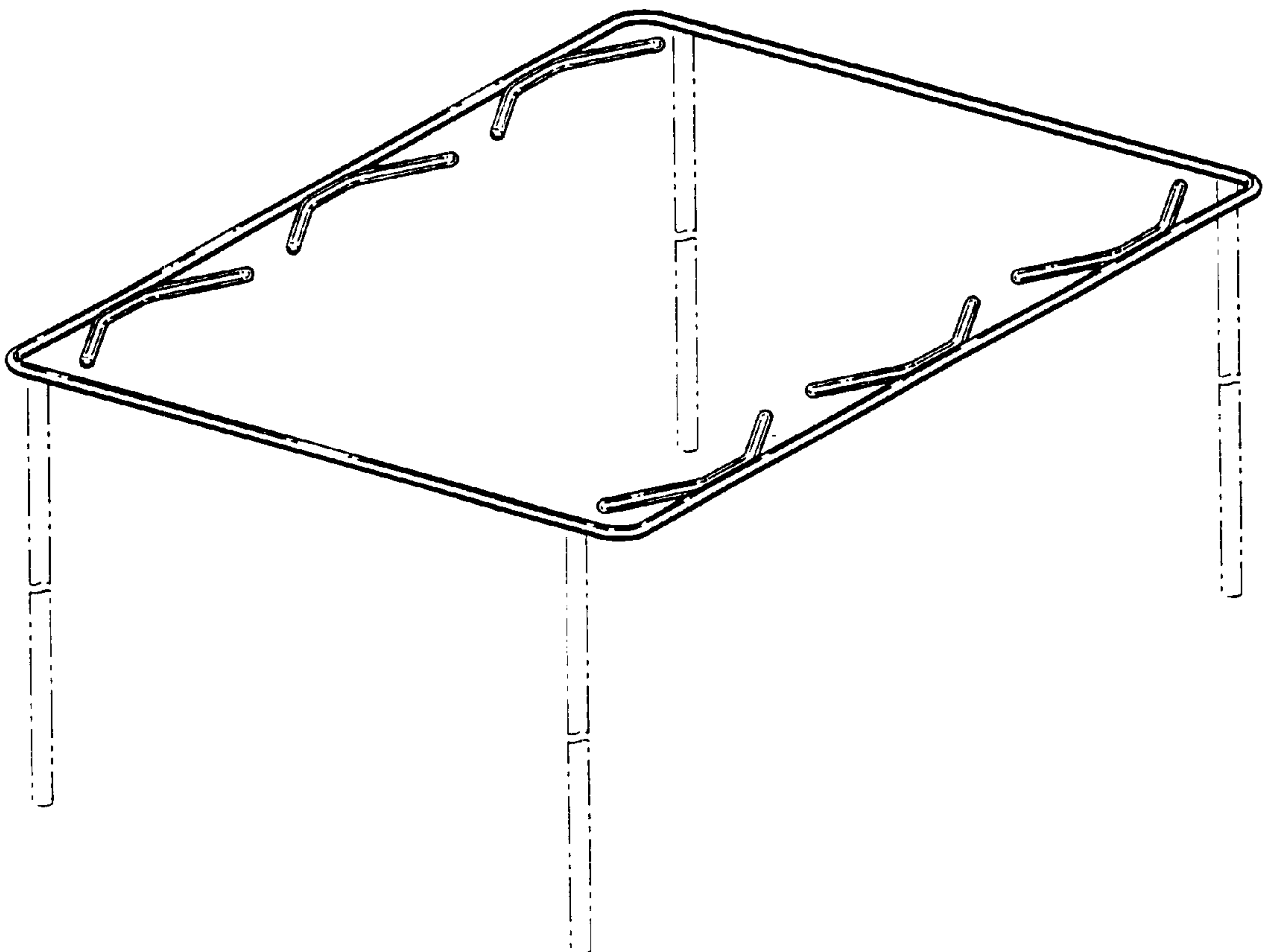
The ornamental design for frame for facilitating packaging of goods, as shown and described.

DESCRIPTION

FIG. 1 is a perspective view of a frame for facilitating packaging of goods showing my new design; FIG. 2 is a front elevational view; FIG. 3 is a rear elevational view; FIG. 4 is a left side elevational view; FIG. 5 is a right side elevational view; FIG. 6 is a top plan view thereof; and, FIG. 7 is a bottom plan view thereof.

The broken line showings are for illustrative purposes only and forms no part of the claimed design.

1 Claim, 4 Drawing Sheets



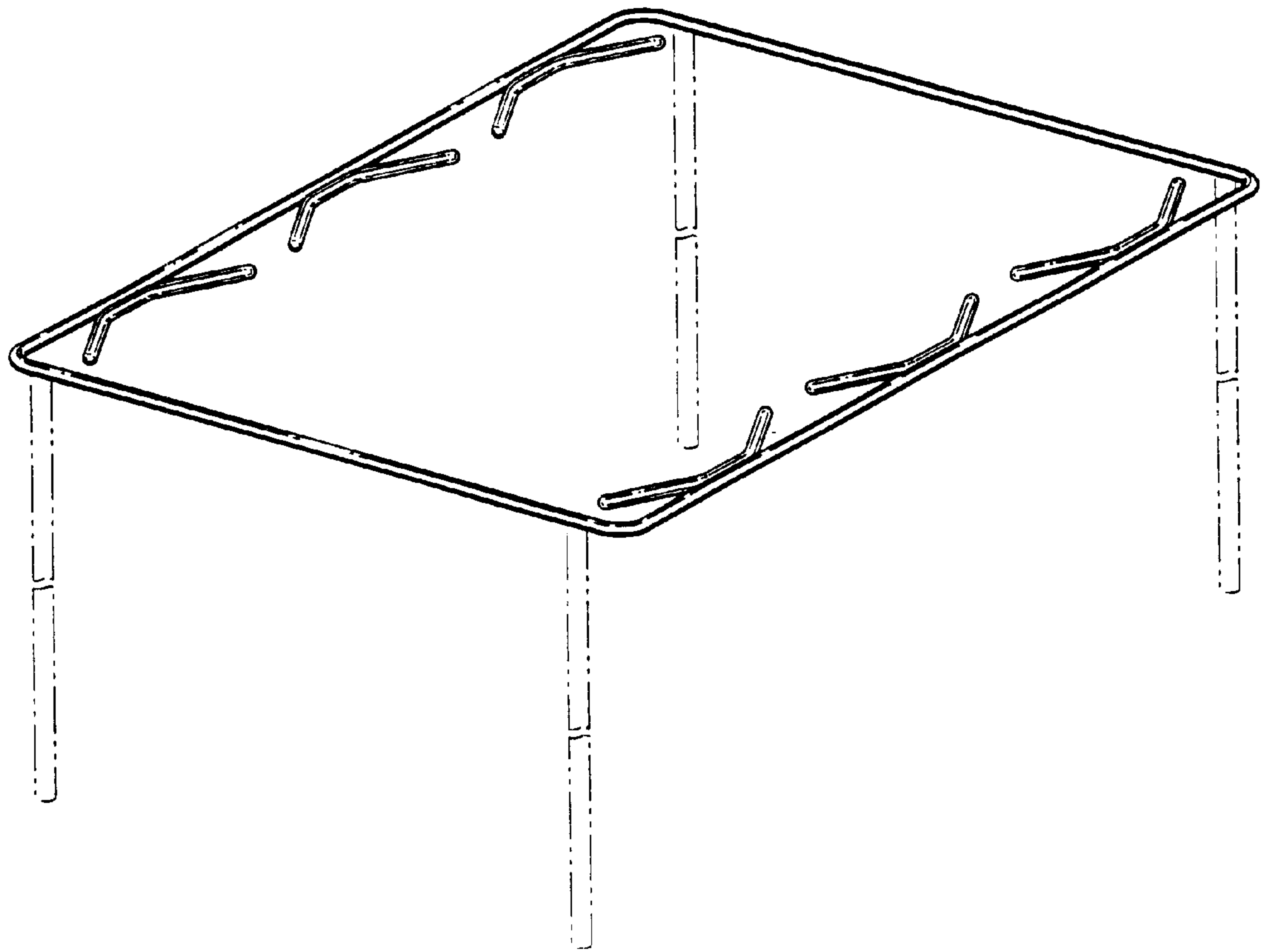


FIG. 1

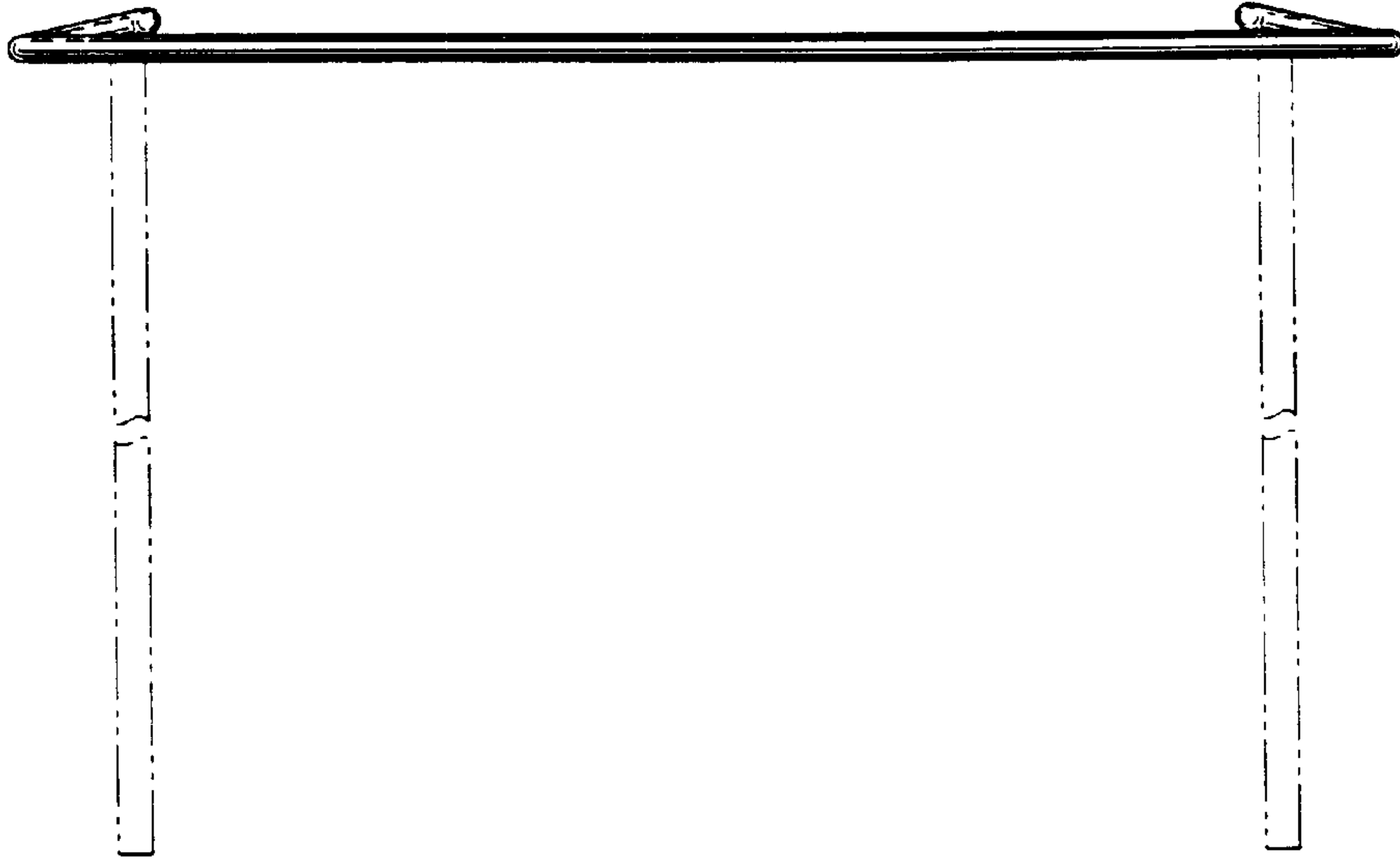


FIG. 2

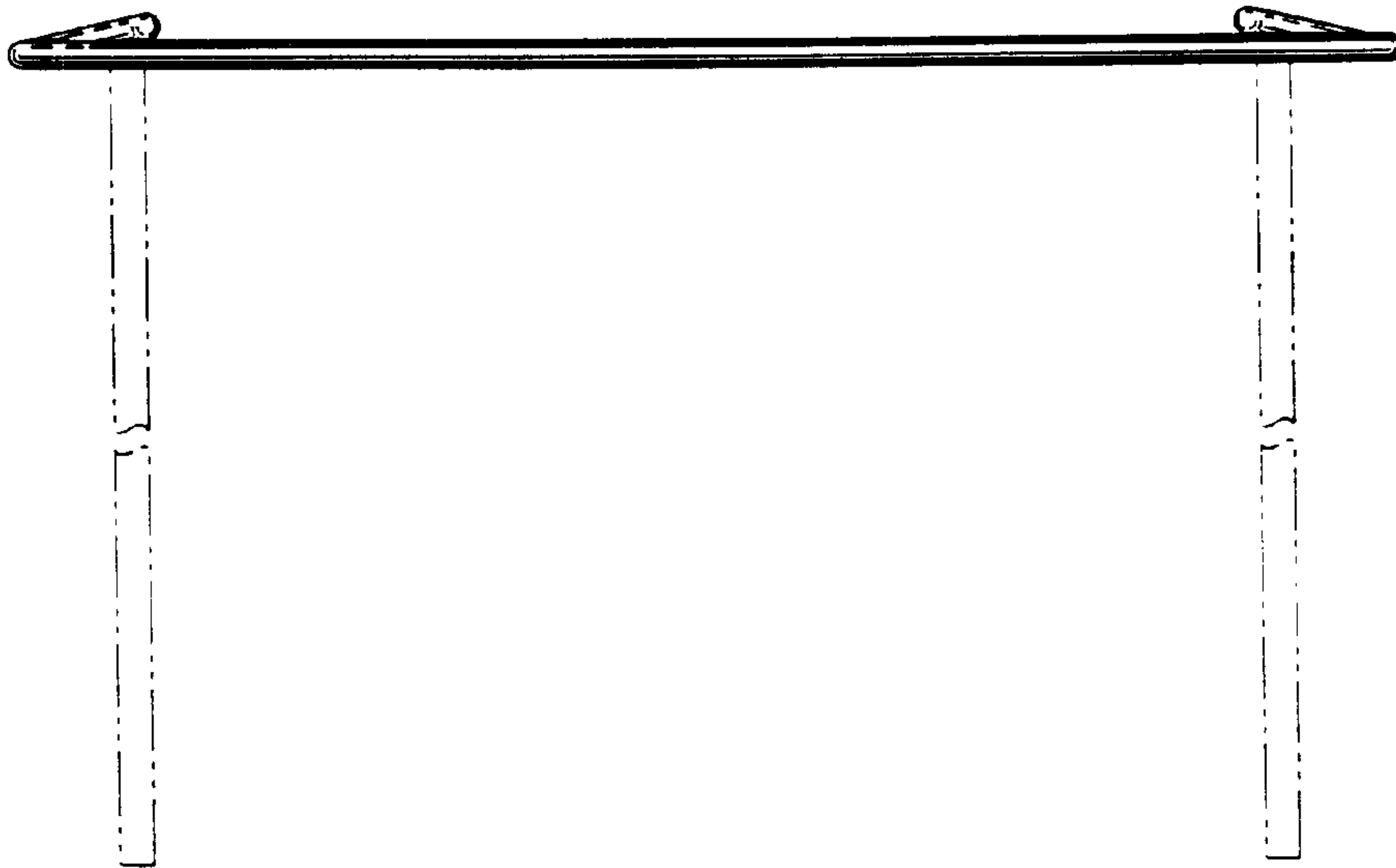


FIG. 3

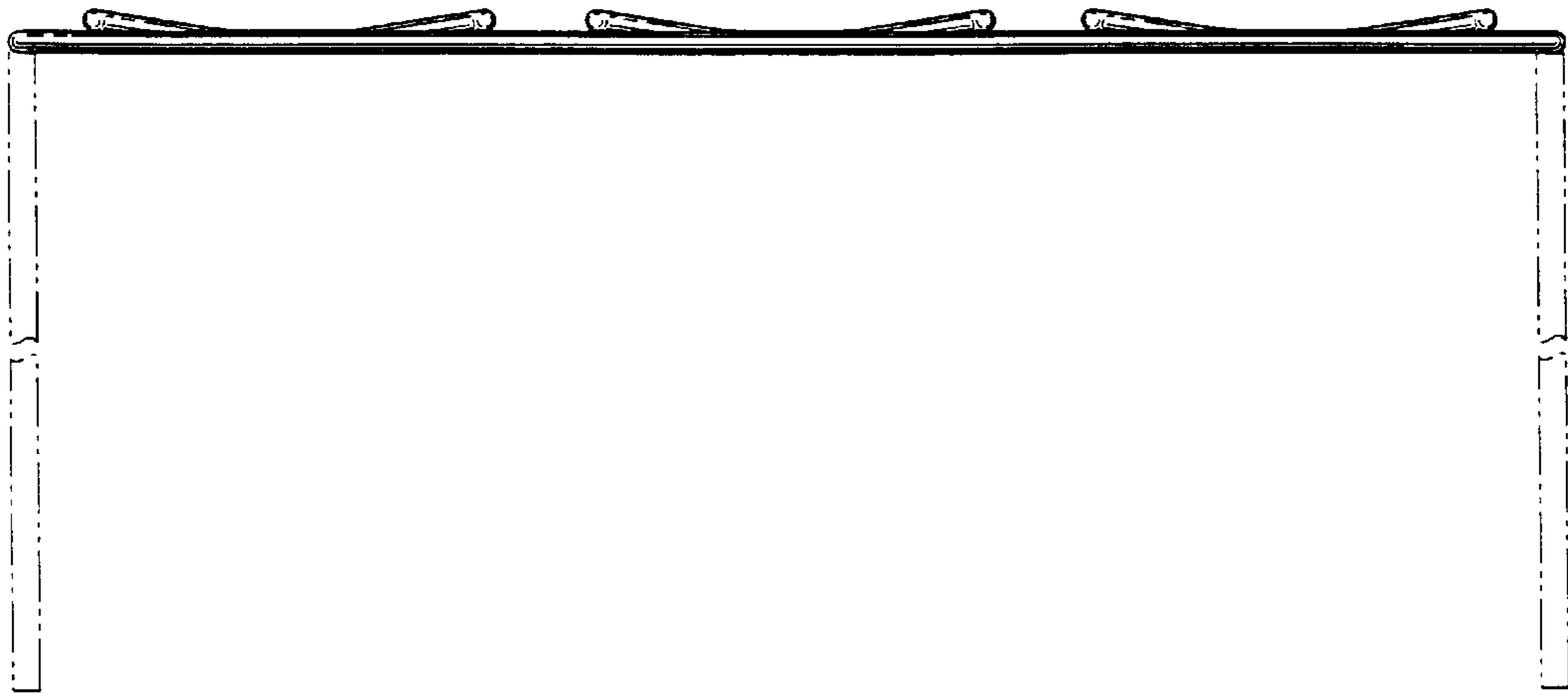


FIG. 4

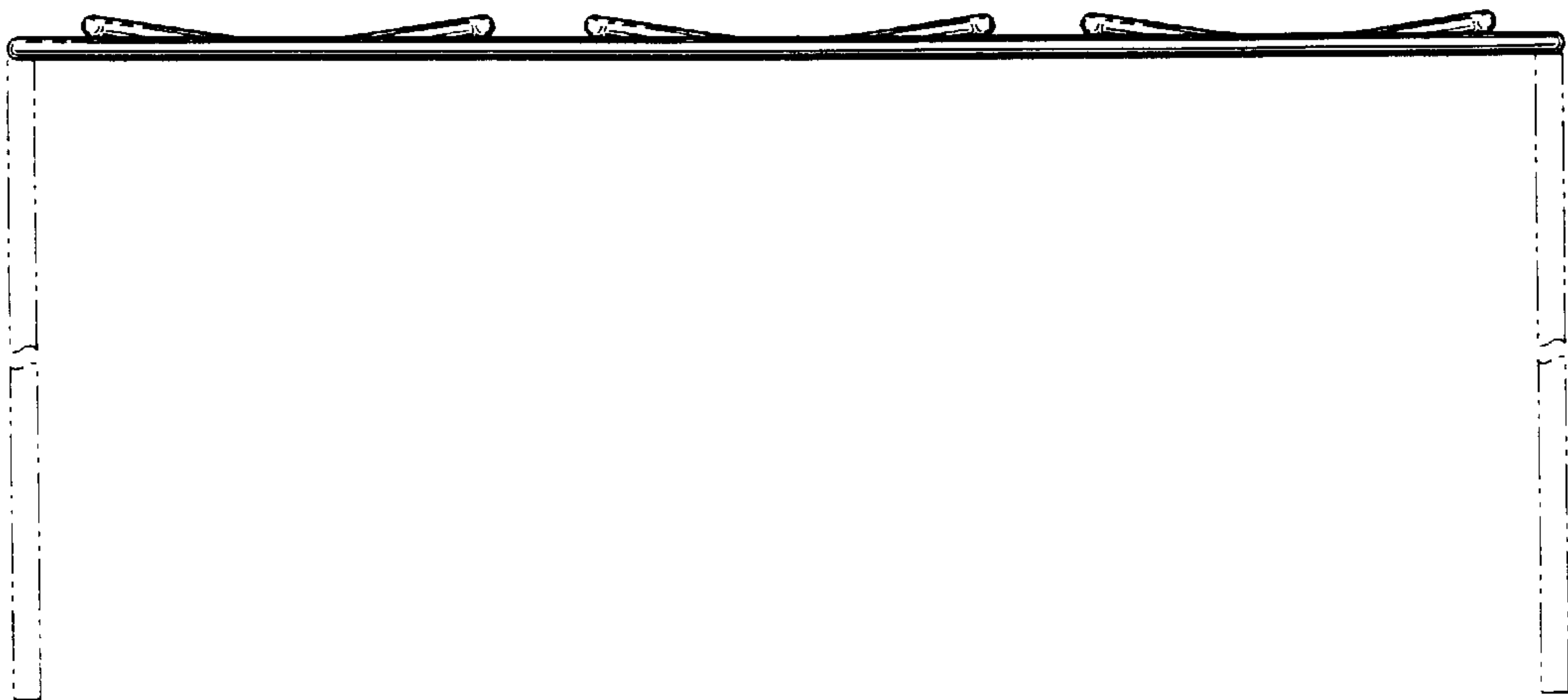


FIG. 5

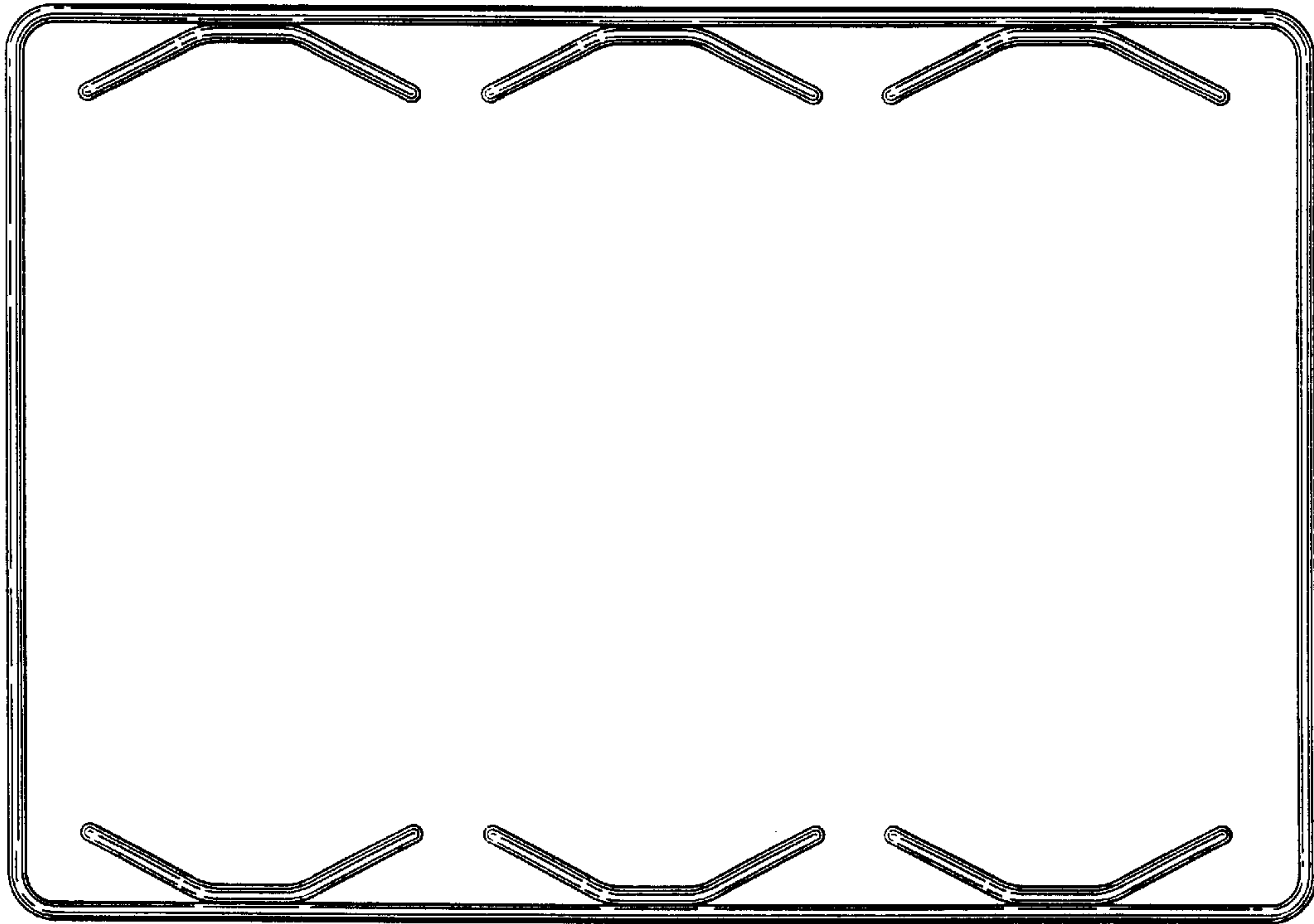


FIG. 6

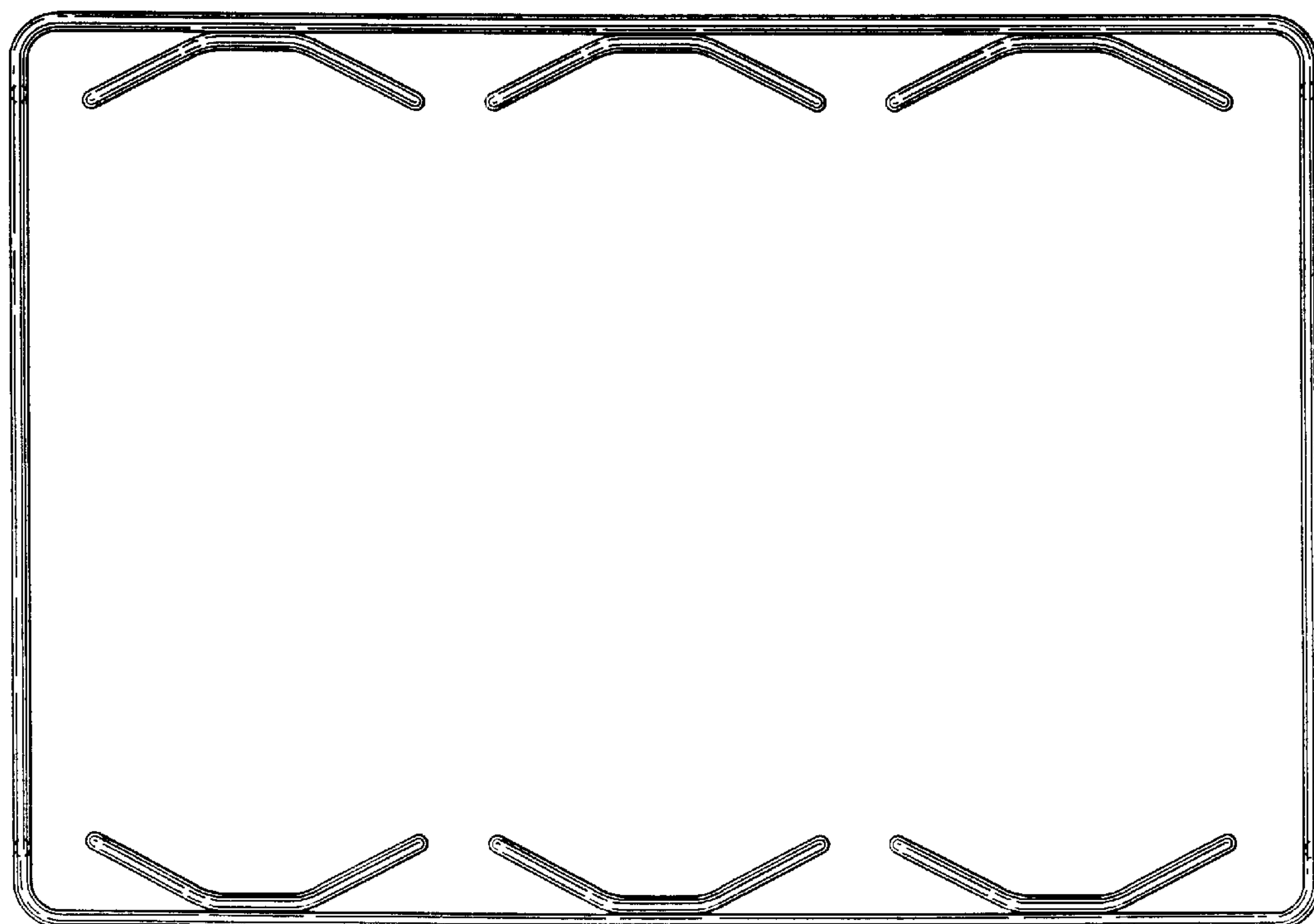


FIG. 7