



US00D456578S

(12) **United States Design Patent**  
**Smith et al.**

(10) **Patent No.: US D456,578 S**

(45) **Date of Patent: \*\* Apr. 30, 2002**

(54) **CARRIER HANDLE FOR A CAN**

(75) Inventors: **J. Wise Smith**, Cordova; **Hugh R. McVeigh**, Germantown, both of TN (US)

(73) Assignee: **Inova, Inc.**, Memphis, TN (US)

(\*\*) Term: **14 Years**

(21) Appl. No.: **29/140,831**

(22) Filed: **Apr. 26, 2001**

(51) **LOC (7) Cl.** ..... **07-07**

(52) **U.S. Cl.** ..... **D32/54; D7/622**

(58) **Field of Search** ..... **D32/53, 54; D8/373; D7/619, 622; 248/210, 211; 220/755, 756, 759, 769; 294/27.1, 31.1, 33**

(56) **References Cited**

**U.S. PATENT DOCUMENTS**

2,493,751 A	1/1950	Davis	224/45
2,786,707 A	3/1957	Campbell	294/34
2,788,153 A	4/1957	Broadbeltt	220/90
2,873,044 A	2/1959	Rutledge, Sr.	220/90
3,024,057 A	3/1962	Lockwood	294/34
3,304,112 A	2/1967	Elliott	294/34
4,053,131 A *	10/1977	Francis	248/211
D313,296 S *	12/1990	Abbey	D32/54
4,993,767 A	2/1991	Song	294/31.1
5,145,226 A	9/1992	LaFontaine	294/27.1
5,203,471 A	4/1993	Widman	220/755
5,584,520 A	12/1996	Niemeier	294/34
5,788,298 A	8/1998	Cheng	294/27.1
6,102,458 A	8/2000	Scace	294/34

\* cited by examiner

*Primary Examiner*—Terry A. Wallace

(74) *Attorney, Agent, or Firm*—Walker, McKenzie & Walker, P.C.

(57) **CLAIM**

The ornamental design for a carrier handle for a can, as shown and described.

**DESCRIPTION**

FIG. 1 is a side perspective view of the carrier handle showing environmental structure of a carried can in dotted outline being carried in a first position. The perspective view from the other side is a mirror image.

FIG. 2 is another side perspective view of the carrier handle showing environmental structure of a carried can in dotted outline being carried in a second position. The perspective view from the other side is a mirror image.

FIG. 3 is another side perspective view of the carrier handle showing environmental structure of a carried can in dotted outline being carried in a third position. The perspective view from the other side is a mirror image.

FIG. 4 is a side view of the carrier handle. The view from the other side is a mirror image.

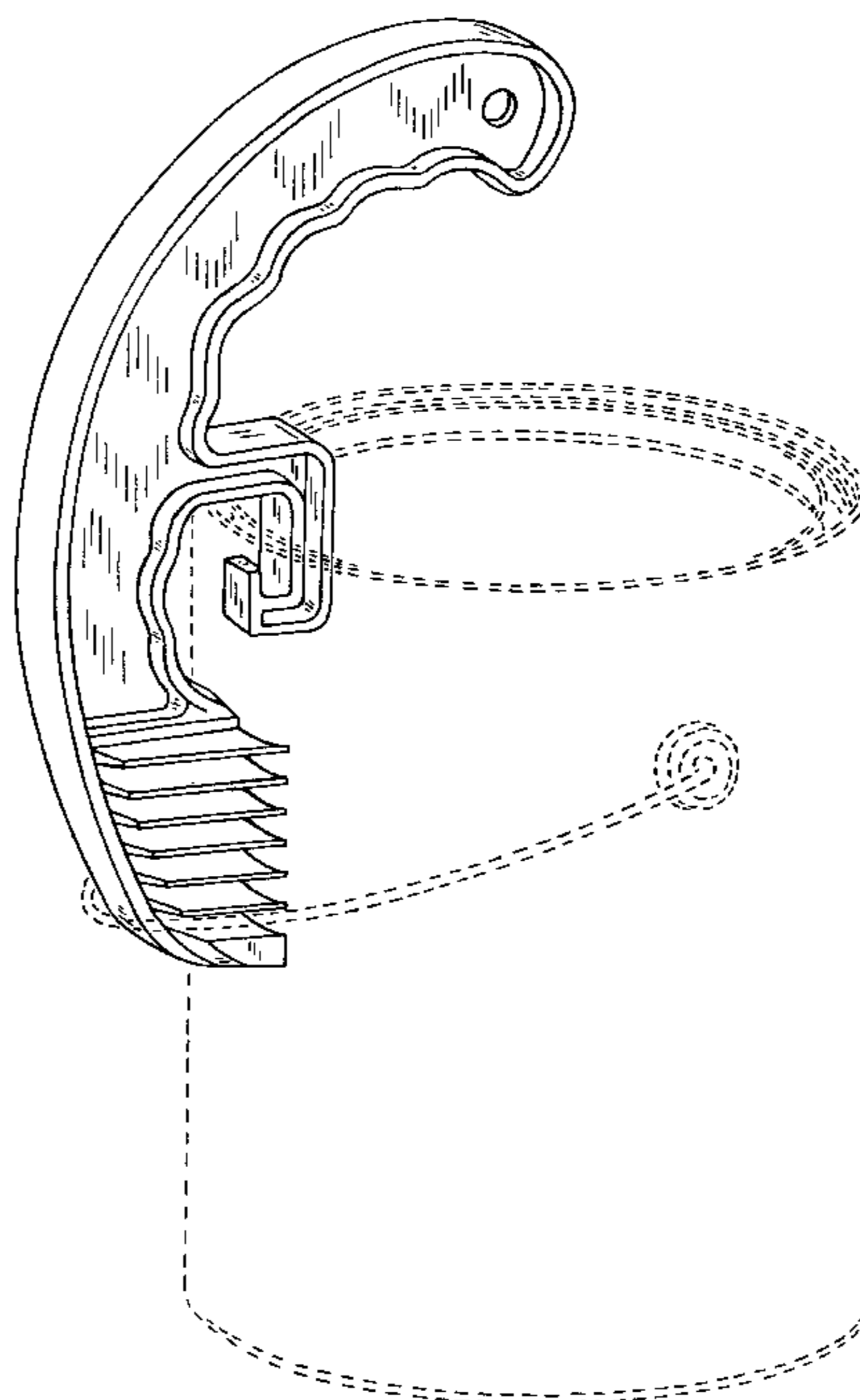
FIG. 5 is a front view of the carrier handle taken along the line 5—5 shown in FIG. 4.

FIG. 6 is a bottom view of the carrier handle taken along the line 6—6 shown in FIG. 4.

FIG. 7 is a top view of the carrier handle taken along the line 7—7 shown in FIG. 4, with environmental structure of a carried can being shown in dotted outline; and,

FIG. 8 is a rear view of the carrier handle taken along the line 8—8 shown in FIG. 4.

**1 Claim, 5 Drawing Sheets**



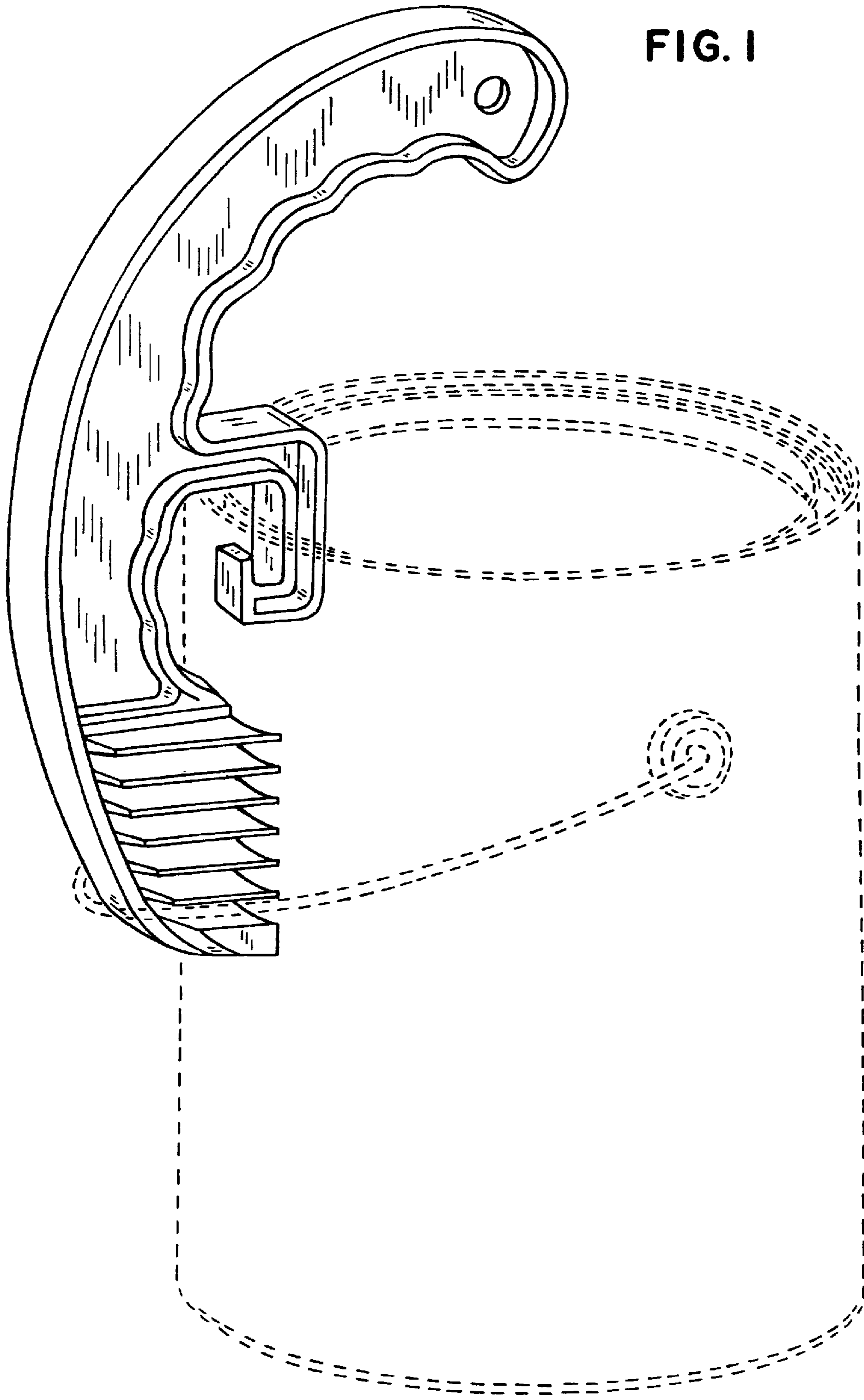


FIG. 1

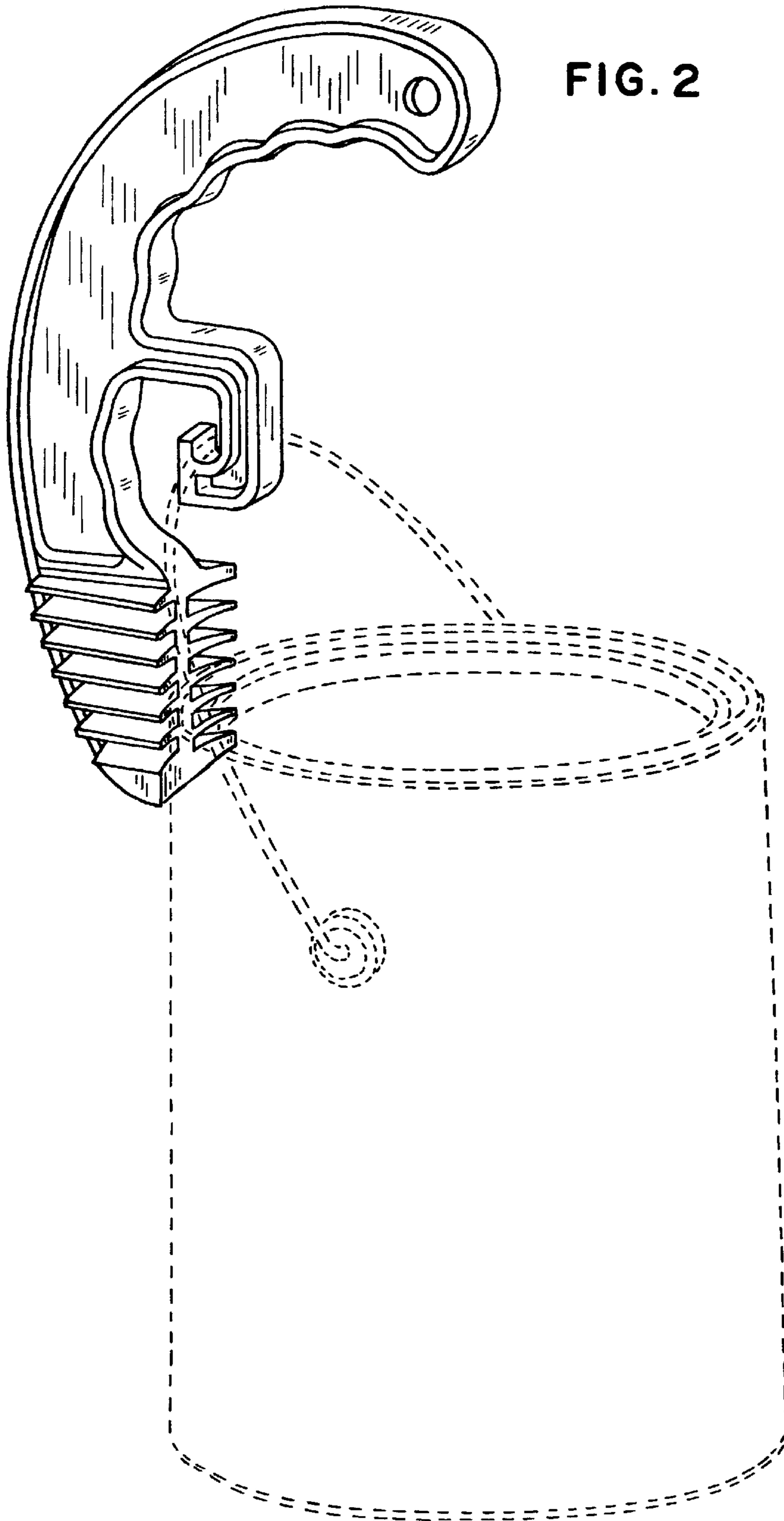
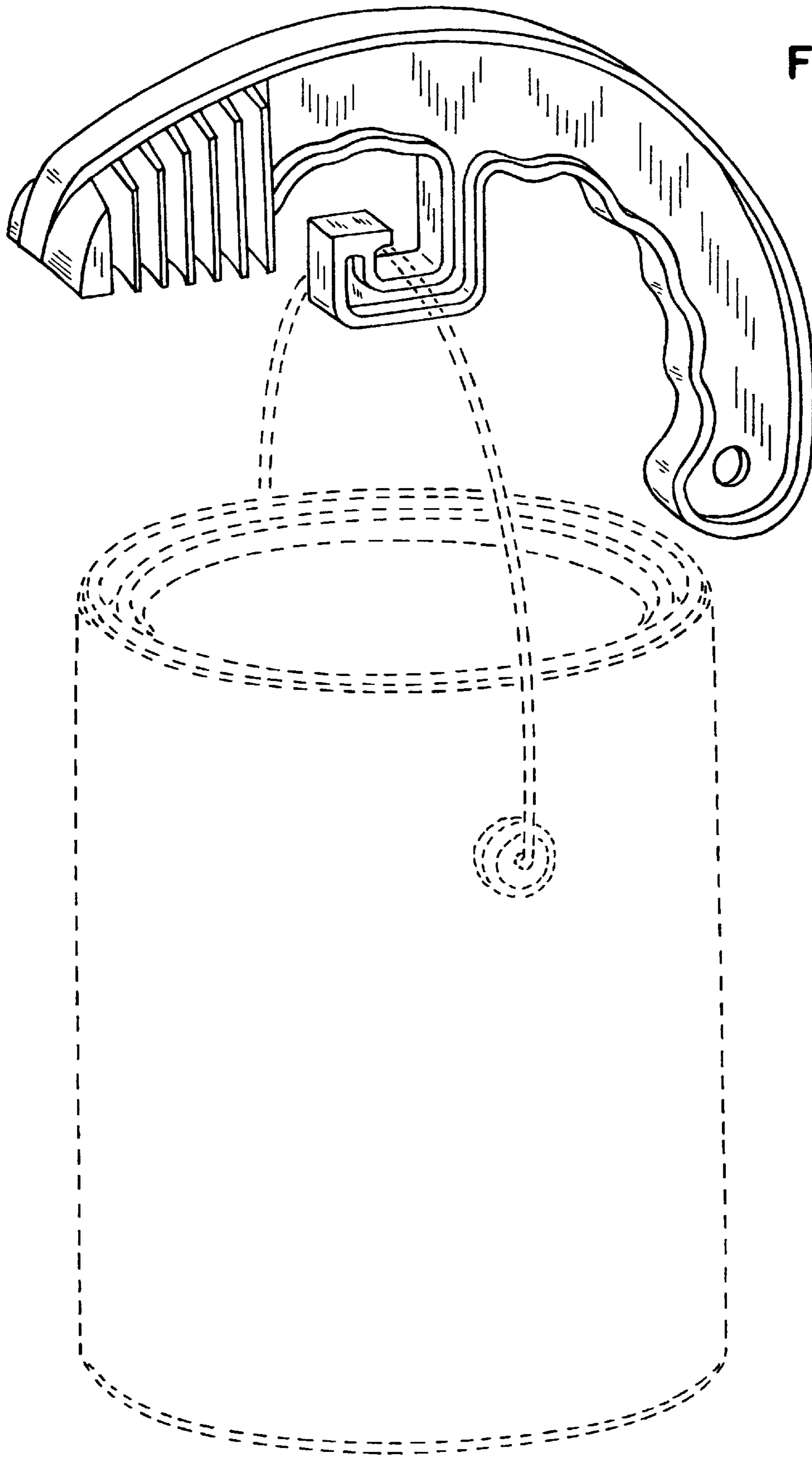


FIG. 2

FIG. 3



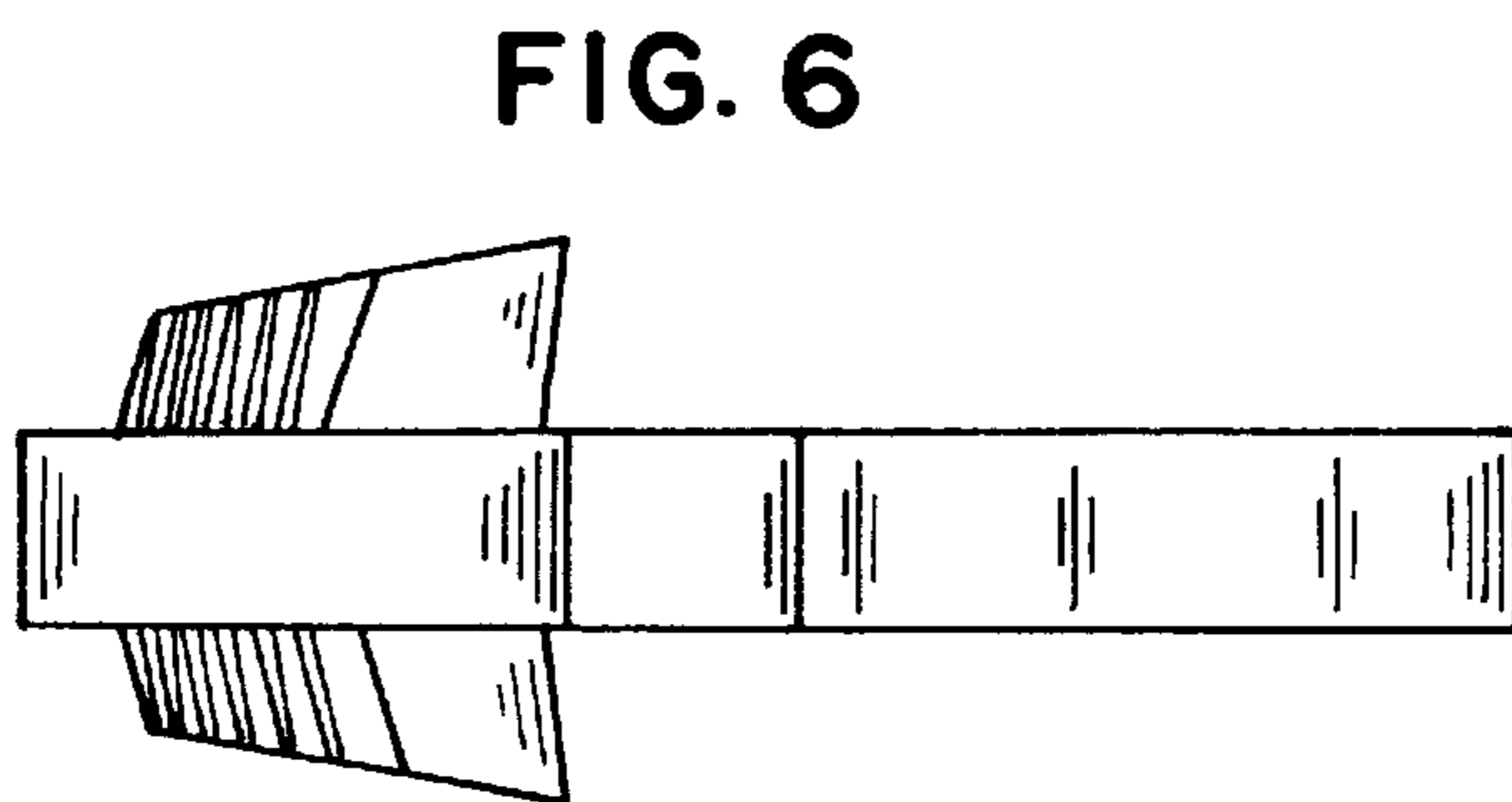
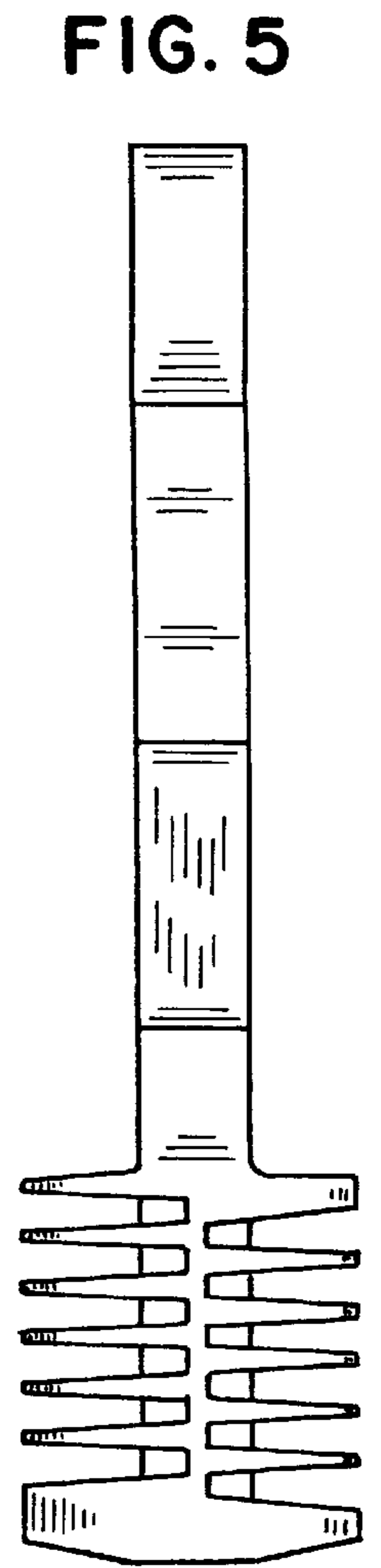
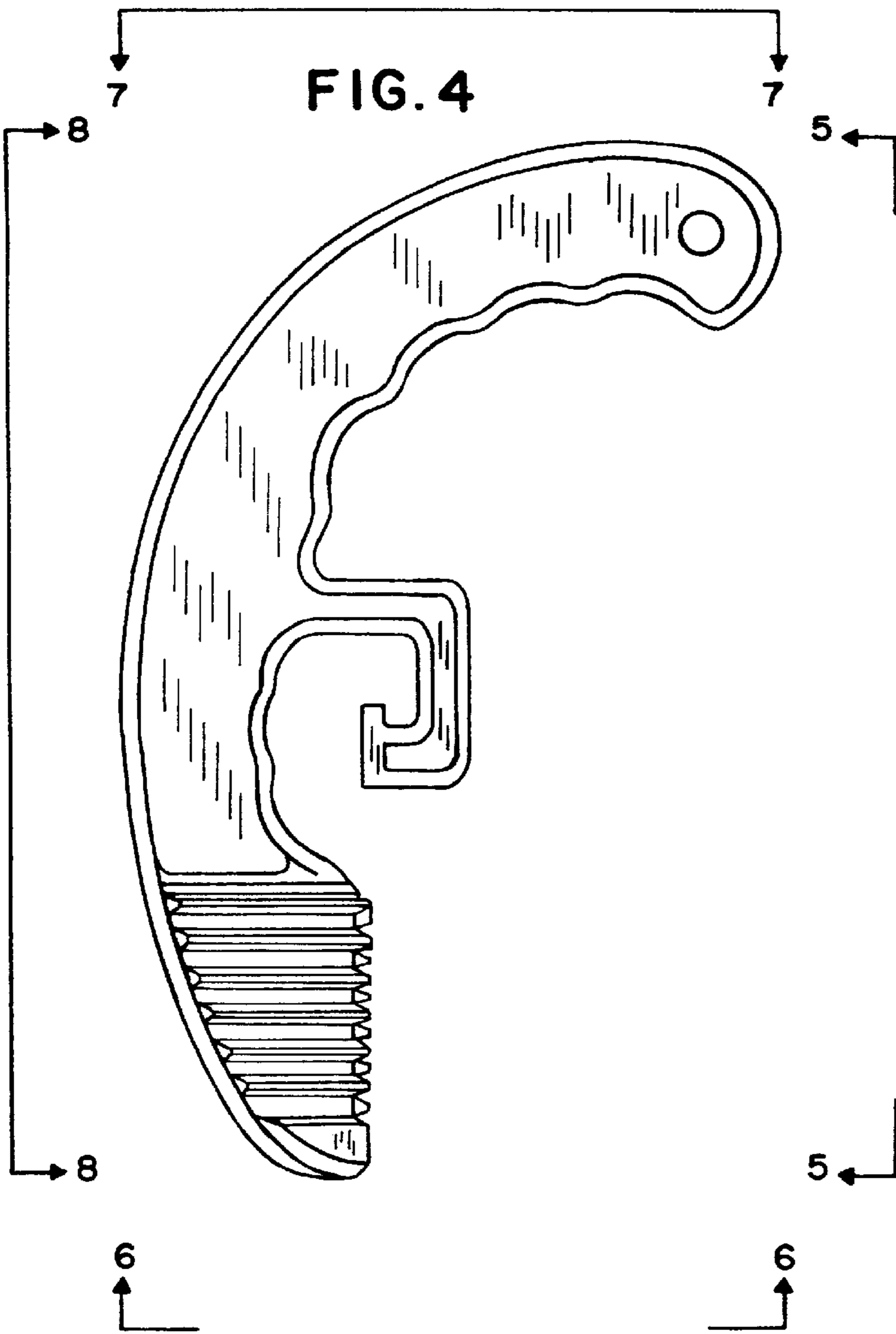




FIG. 7

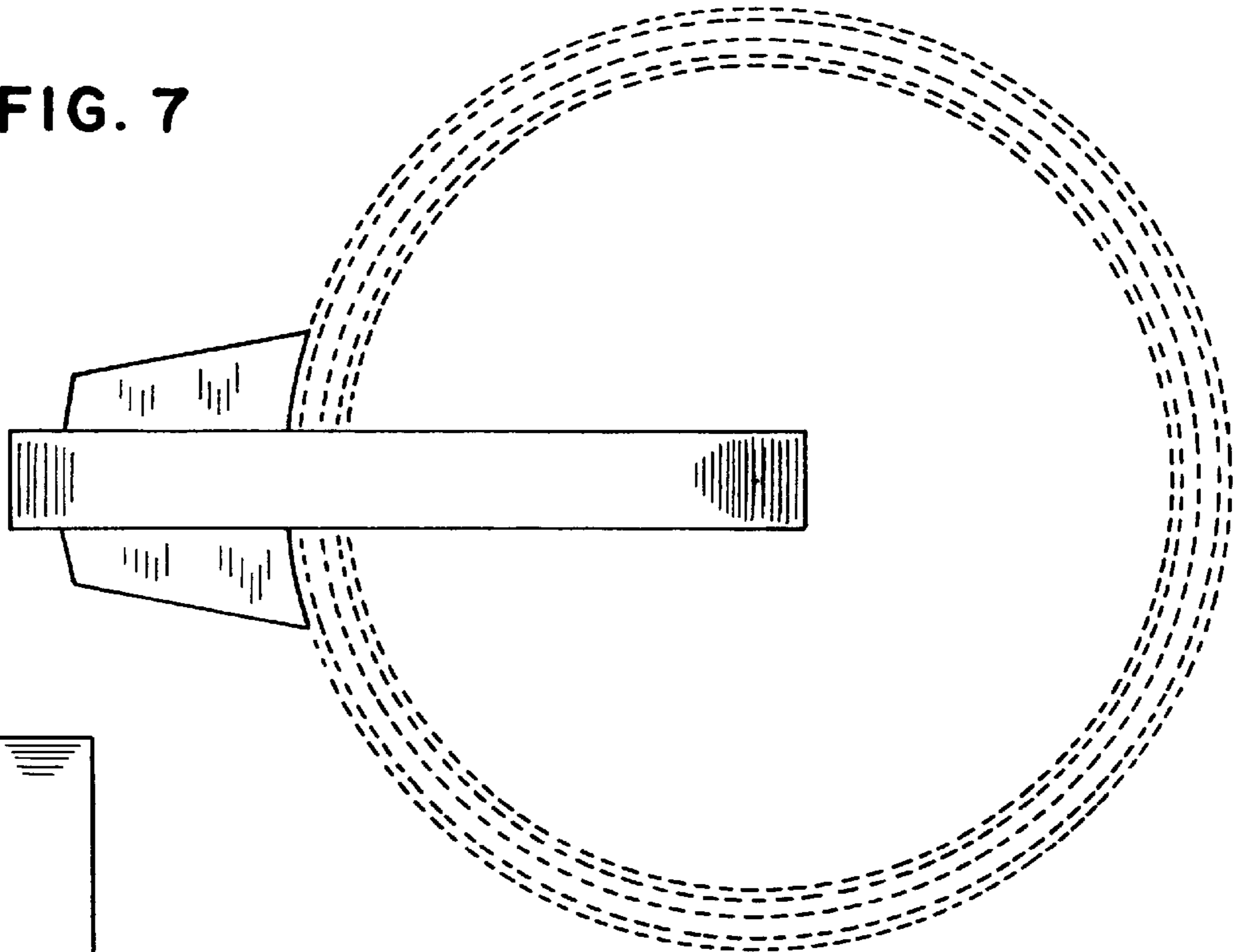


FIG. 8

