



US00D456574S

(12) **United States Design Patent**
Chen

(10) **Patent No.:** **US D456,574 S**

(45) **Date of Patent:** **** Apr. 30, 2002**

(54) **PIPE PLUNGER**

6,192,525 B1 * 2/2001 Tash 4/255.11

(76) Inventor: **Kun-Chen Chen**, No. 6, Lane 609,
Sec. 1, Chung-Shan Rd., Ye-Her Li,
Tachia Chen, Taichung Hsien (TW)

* cited by examiner

Primary Examiner—Jennifer Rivard
(74) *Attorney, Agent, or Firm*—Rabin & Berdo, P.C.

(**) Term: **14 Years**

(57) **CLAIM**

(21) Appl. No.: **29/142,788**

The ornamental design for a pipe plunger, as shown.

(22) Filed: **Jun. 4, 2001**

DESCRIPTION

(51) **LOC (7) Cl.** **08-99**

(52) **U.S. Cl.** **D32/35**

(58) **Field of Search** D32/14, 35; 4/255.01,
4/255.05, 255.11, 255.12, 255.09; 15/406

FIG. 1 is a perspective view of a pipe plunger showing my new design;

FIG. 2 is a front elevational view thereof;

FIG. 3 is a rear elevational view thereof;

FIG. 4 is a left side view thereof;

FIG. 5 is a right side view thereof;

FIG. 6 is a top plan view thereof; and,

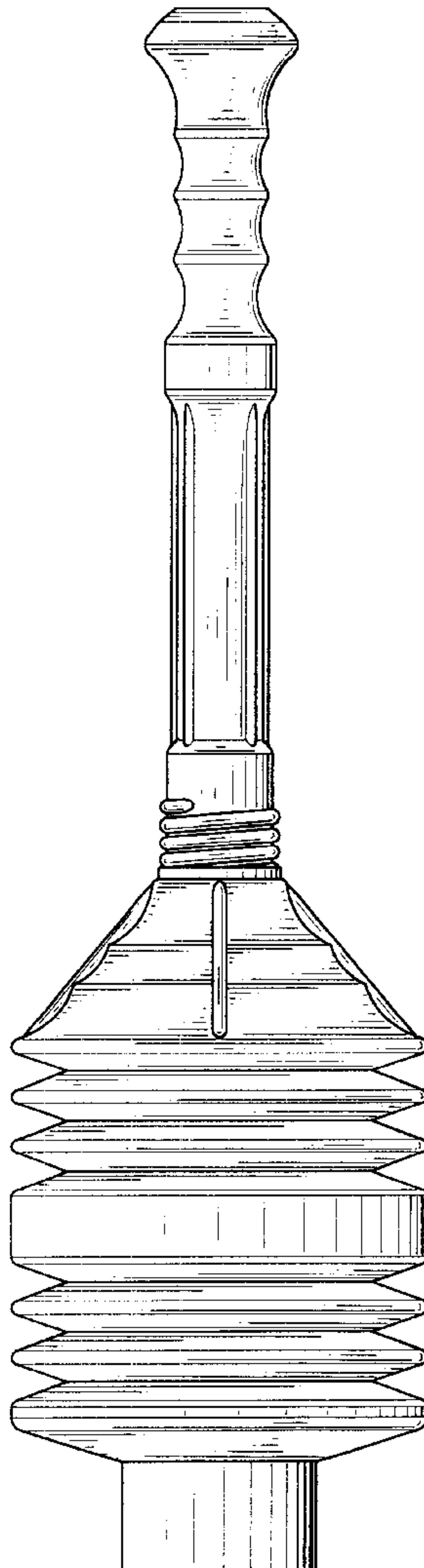
FIG. 7 is a bottom plan view thereof.

(56) **References Cited**

U.S. PATENT DOCUMENTS

D381,147 S * 7/1997 Tash D32/35
D385,073 S * 10/1997 Tash D32/35
6,145,135 A * 11/2000 Pool et al. 4/255.09

1 Claim, 6 Drawing Sheets



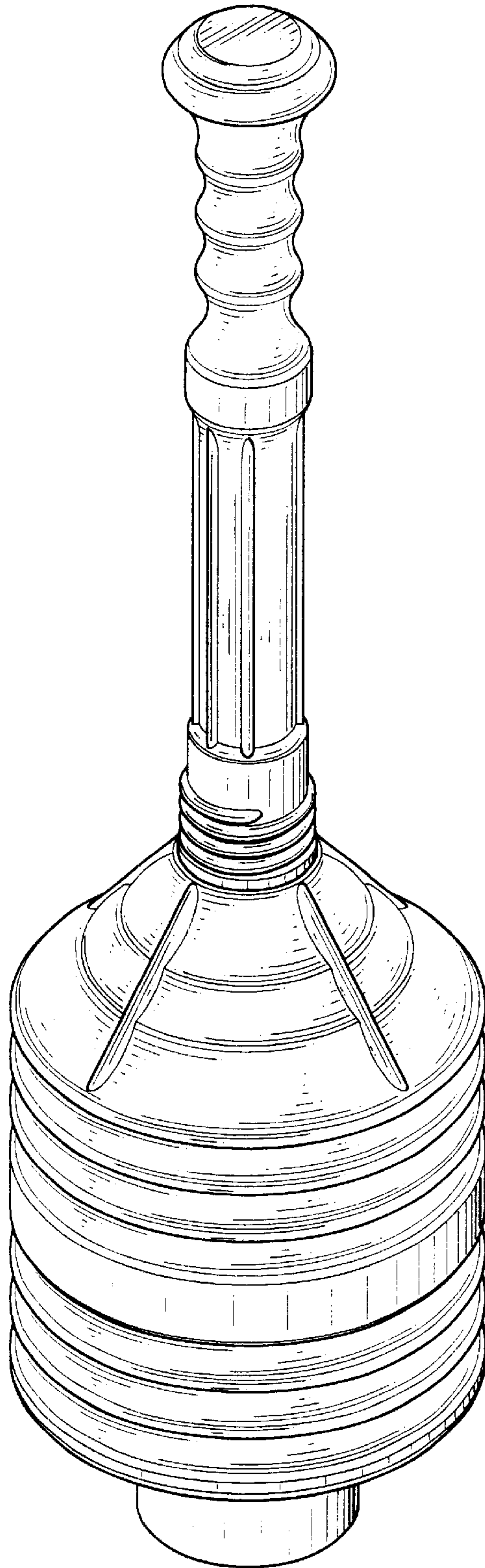


FIG. 1

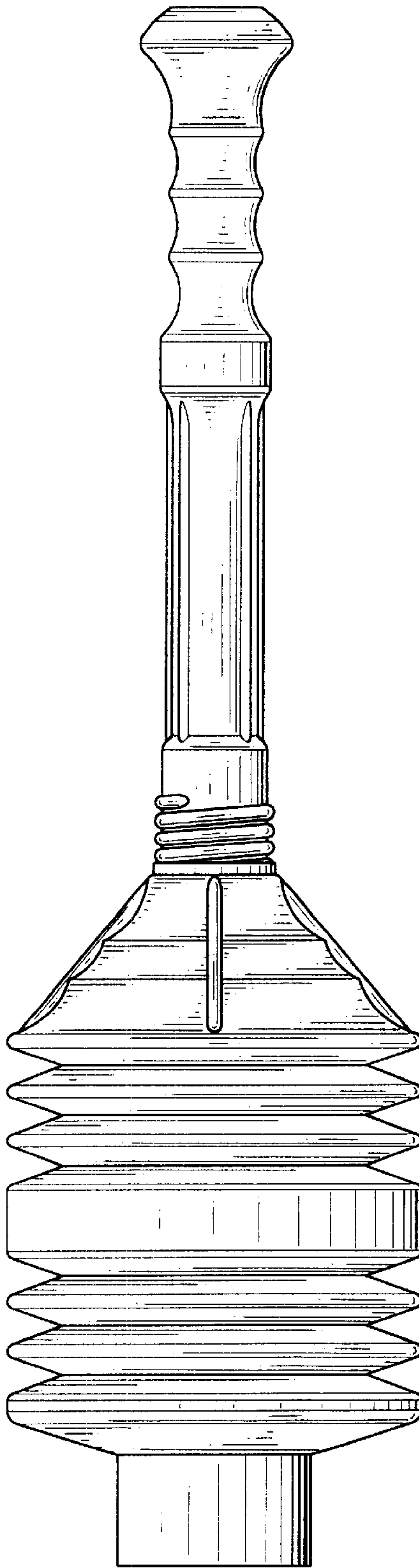


FIG. 2

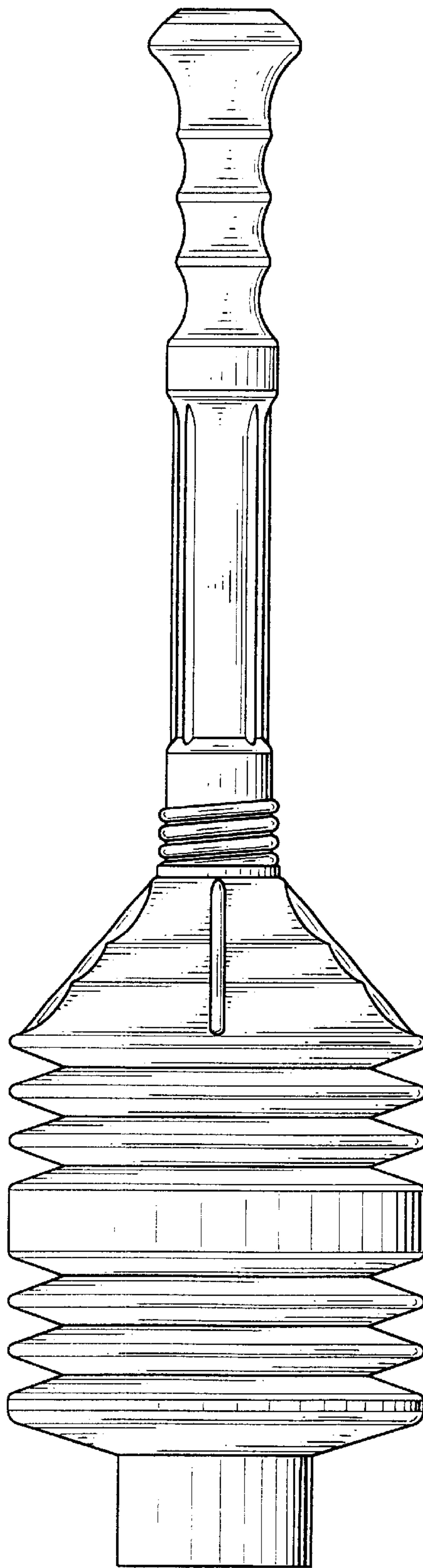


FIG. 3

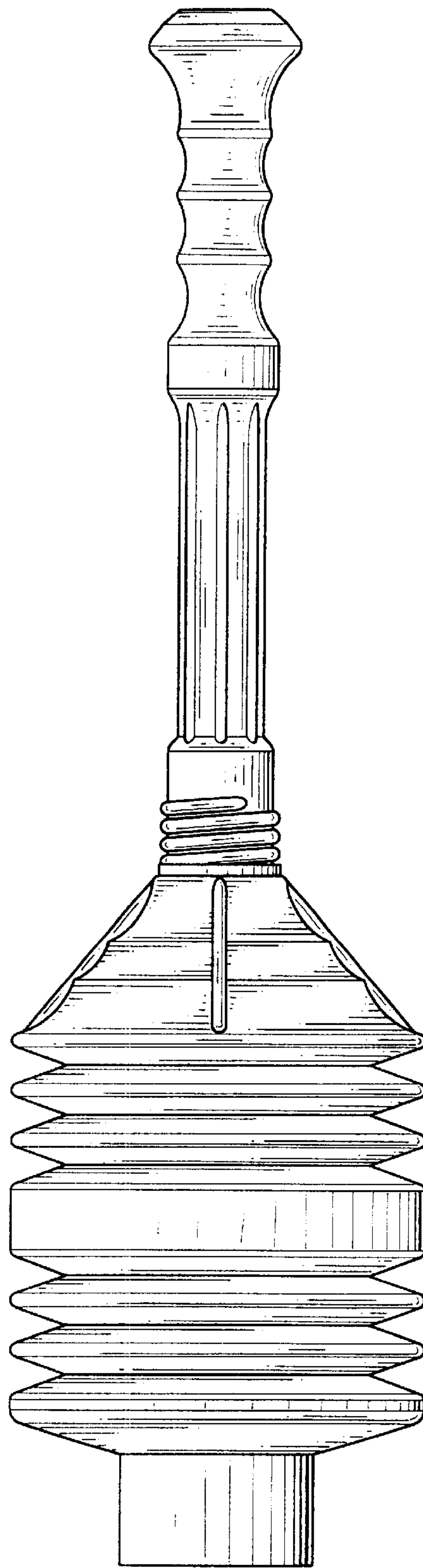


FIG. 4

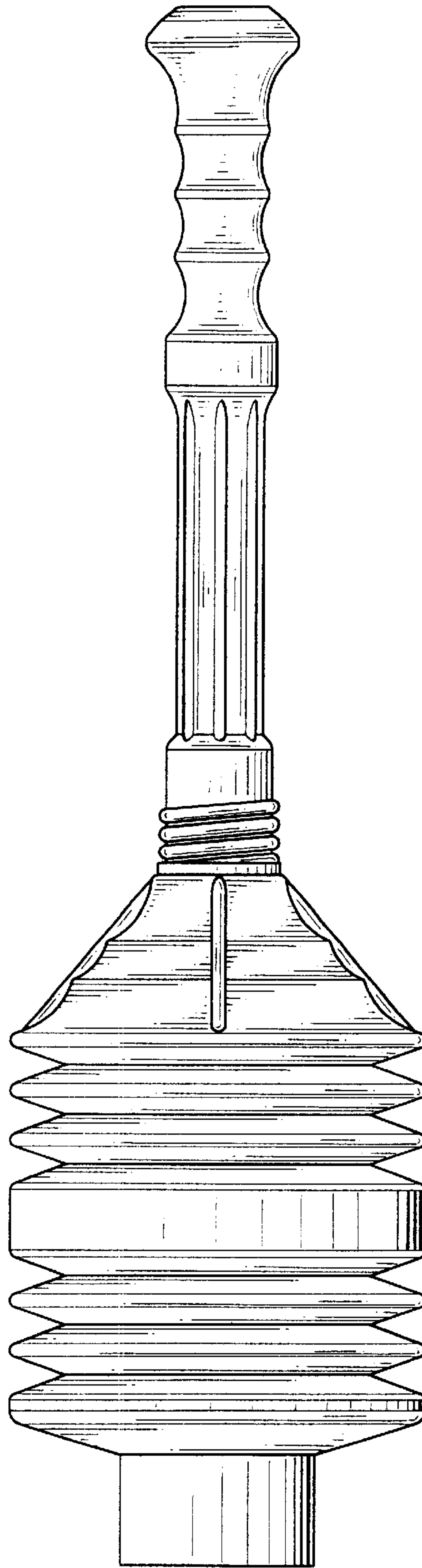


FIG.5

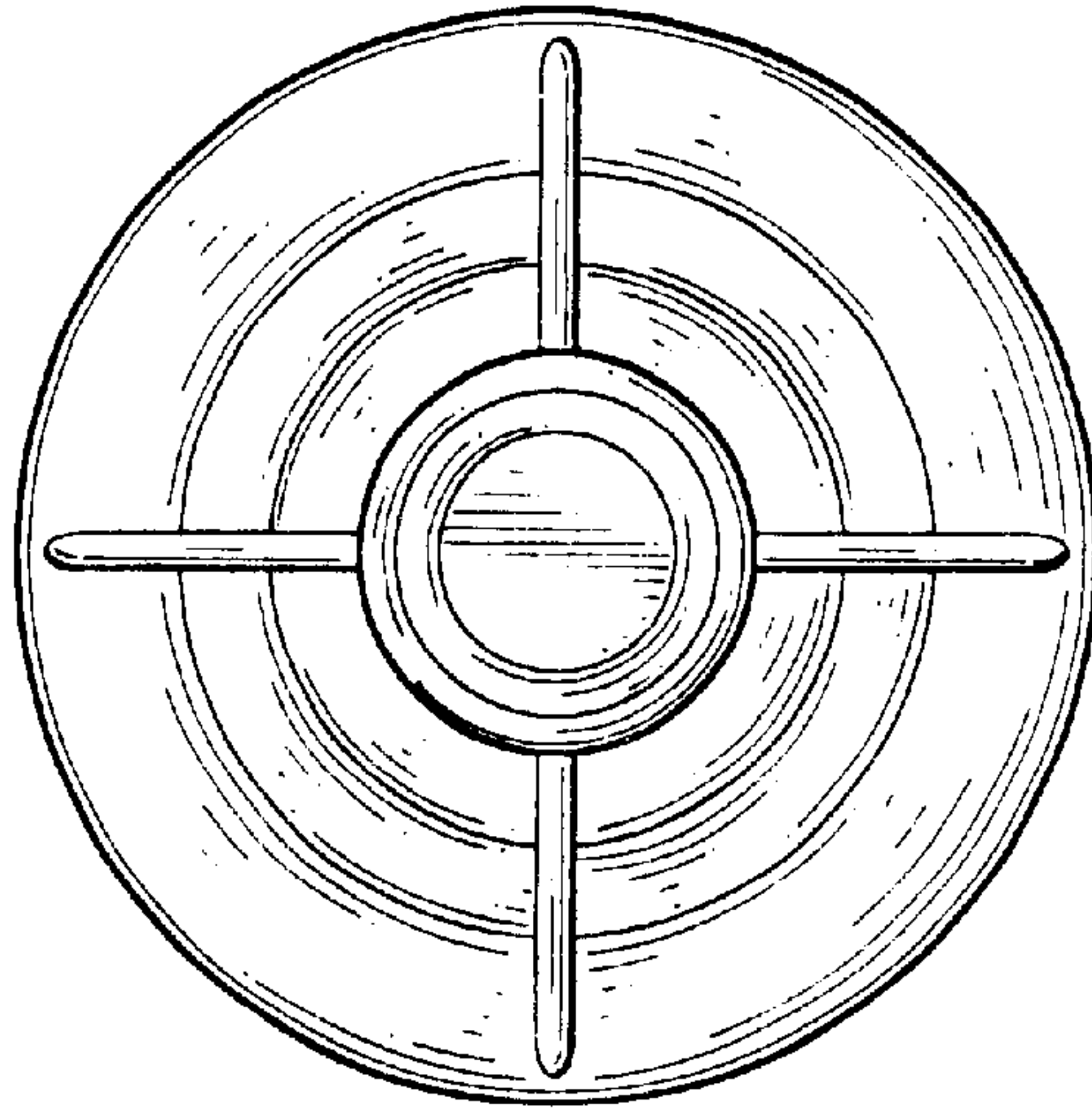


FIG. 6

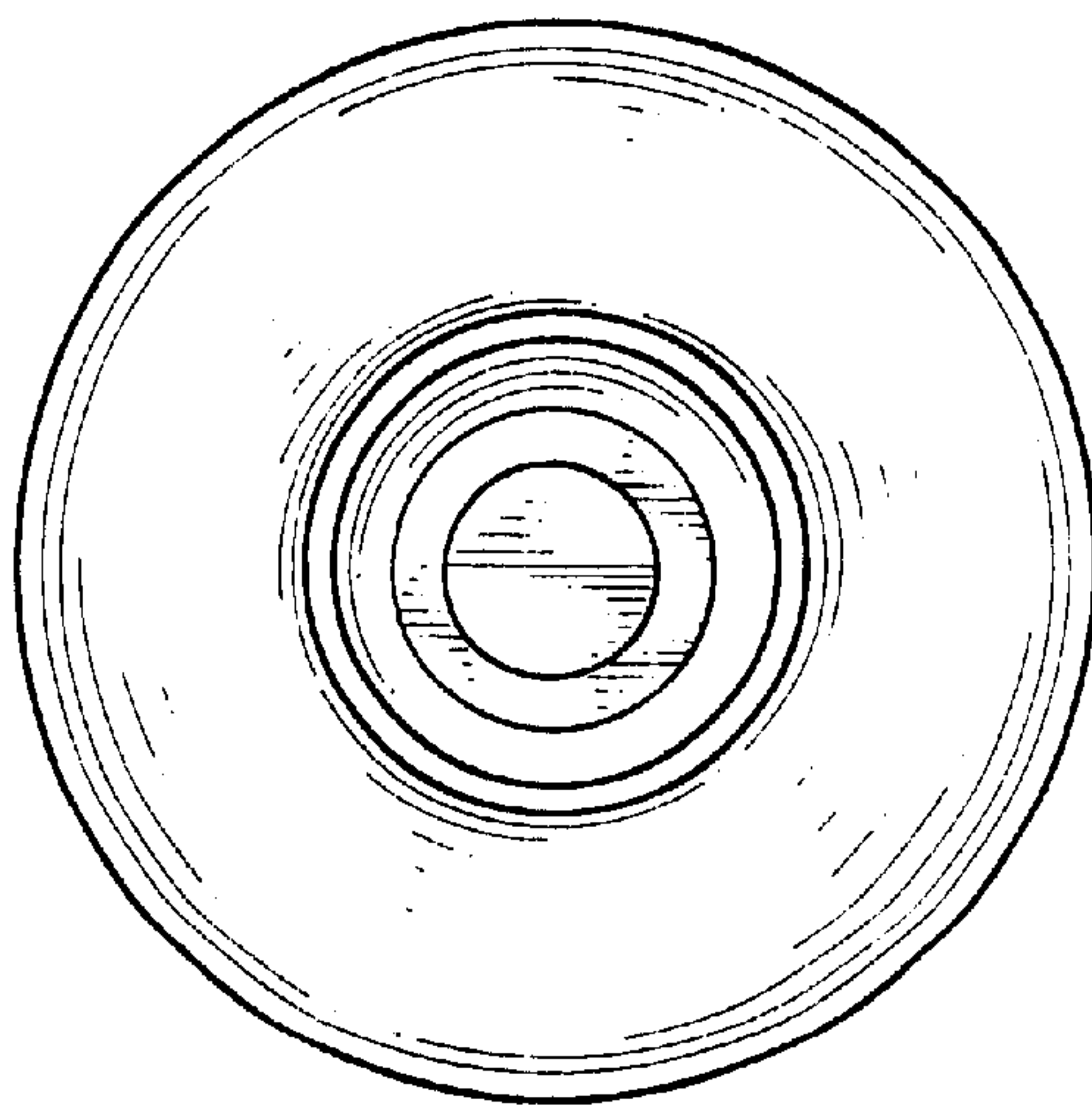


FIG. 7