



US00D456571S

(12) **United States Design Patent**  
**Richardson**

(10) **Patent No.:** **US D456,571 S**

(45) **Date of Patent:** **\*\* Apr. 30, 2002**

(54) **DISHWASHER**

(75) Inventor: **Jon Keith Richardson, Dunedin (NZ)**

(73) Assignee: **Fisher & Paykel Limited, Auckland (NZ)**

(\*\*) Term: **14 Years**

(21) Appl. No.: **29/149,357**

(22) Filed: **Oct. 9, 2001**

**Related U.S. Application Data**

(62) Division of application No. 29/130,830, filed on Oct. 10, 2000.

(30) **Foreign Application Priority Data**

Apr. 10, 2000 (NZ) ..... 400644

(51) **LOC (7) Cl.** ..... **15-03**

(52) **U.S. Cl.** ..... **D32/2**

(58) **Field of Search** ..... D32/2, 3; 134/56 D, 134/56 DL, 57 D, 135, 137, 200, 201, 164; 312/269, 272, 312, 294, 108, 109

(56) **References Cited**

**U.S. PATENT DOCUMENTS**

D159,047 S 6/1950 Corbett  
3,279,481 A \* 10/1966 Sones et al. .... 134/57 D

D377,853 S \* 2/1997 Sparks ..... D32/3  
D400,320 S 10/1998 Brace  
D403,471 S 12/1998 Brace  
D418,952 S \* 1/2000 Roberts ..... D32/3  
D424,257 S \* 5/2000 Umeda et al. .... D32/3  
D438,677 S 3/2001 Roberts

\* cited by examiner

*Primary Examiner*—Mitchell Siegel

(74) *Attorney, Agent, or Firm*—Trexler, Bushnell, Giangiorgi, Blackstone & Marr, Ltd.

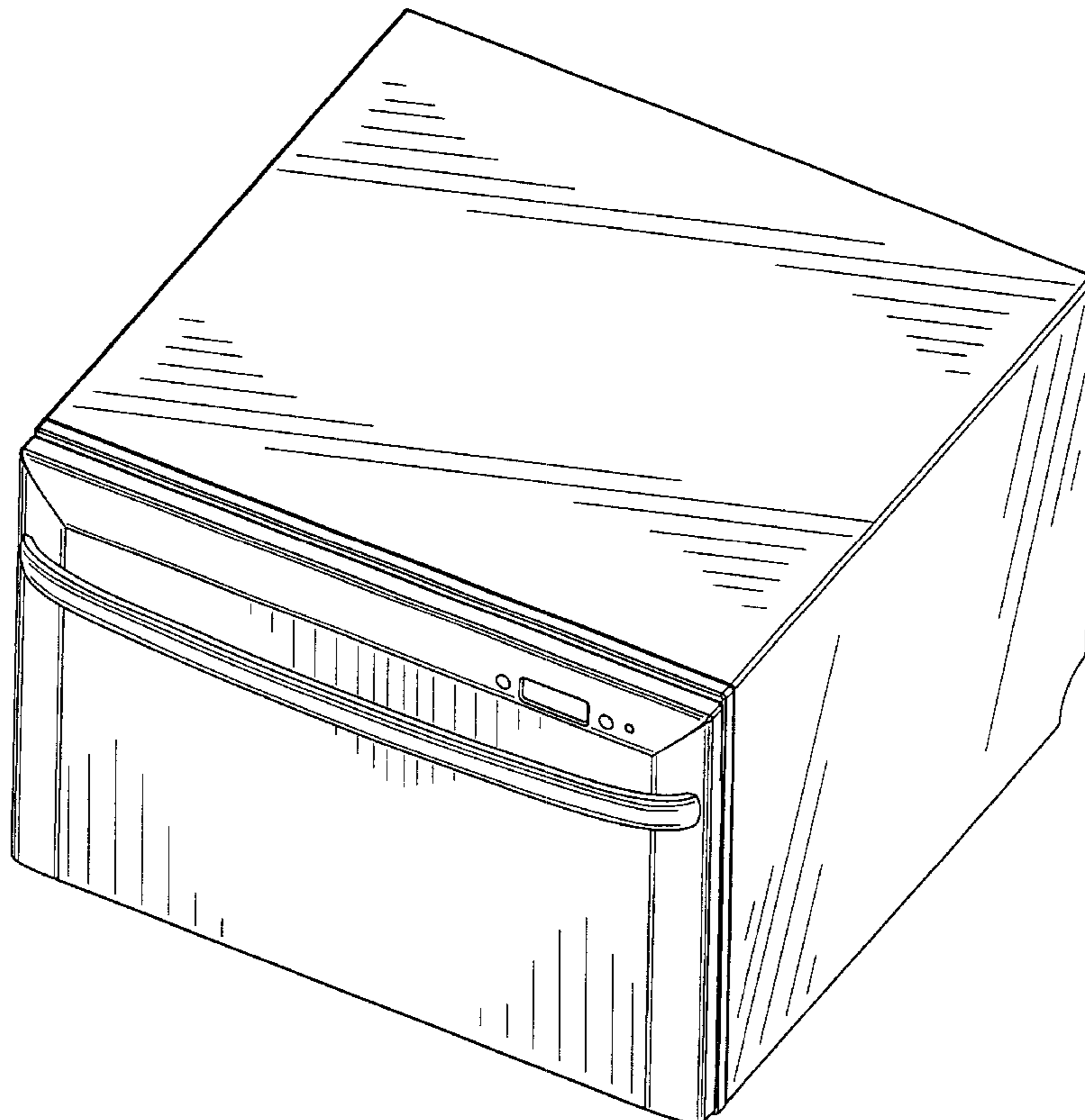
(57) **CLAIM**

The ornamental design for a dishwasher, as shown and described.

**DESCRIPTION**

FIG. 1 is a perspective view of a dishwasher according to my design;  
FIG. 2 is a front elevational view of the dishwasher;  
FIG. 3 is a right side elevational view of the dishwasher;  
FIG. 4 is a rear elevational view of the dishwasher;  
FIG. 5 is a top plan view of the dishwasher; and,  
FIG. 6 is a bottom plan view of the dishwasher.  
While FIG. 3 illustrates the right side elevational view of the dishwasher according to the first embodiment, the left side elevational view of the dishwasher according to the first embodiment would be the mirror image.

**1 Claim, 6 Drawing Sheets**



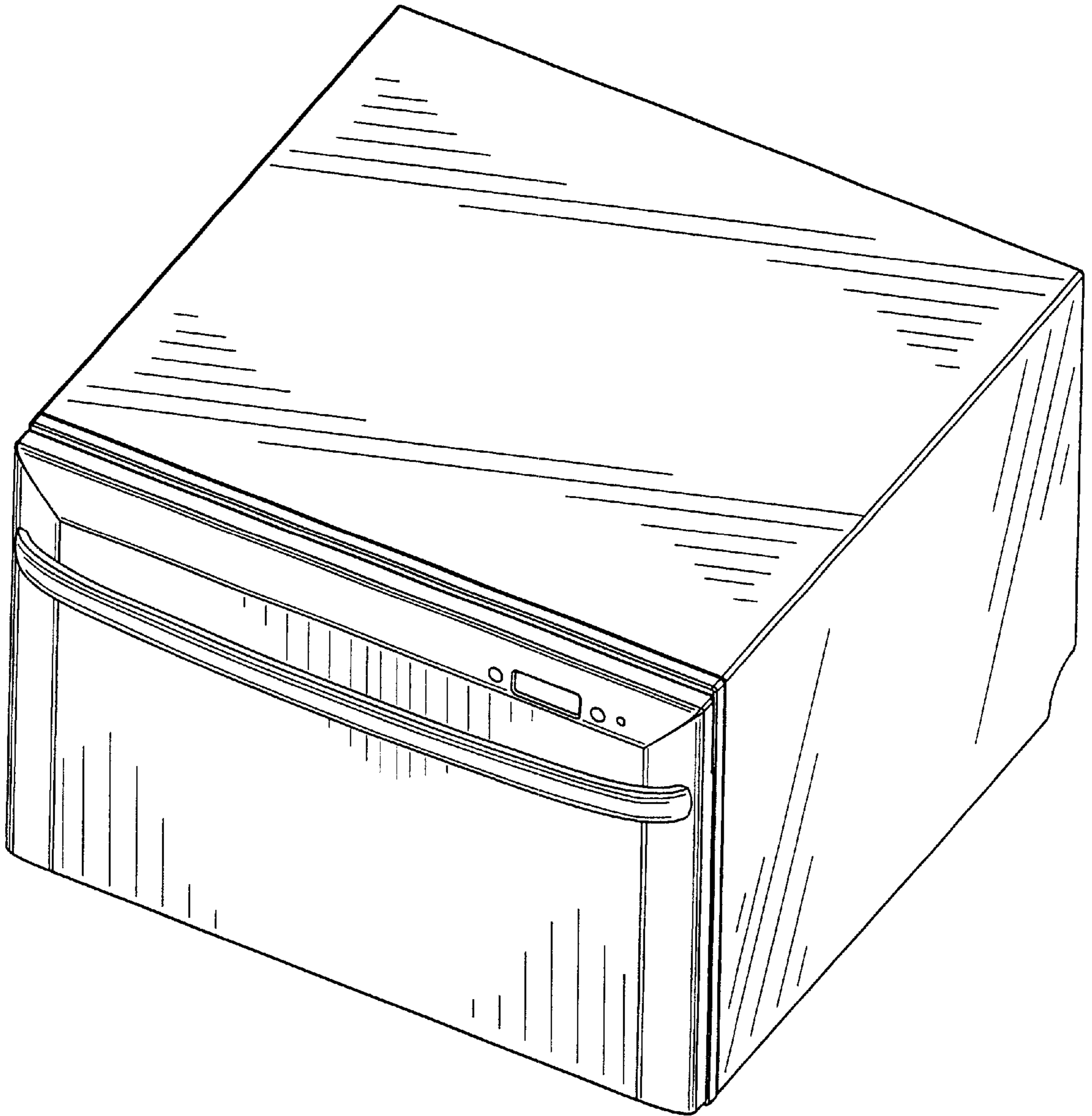


FIGURE 1

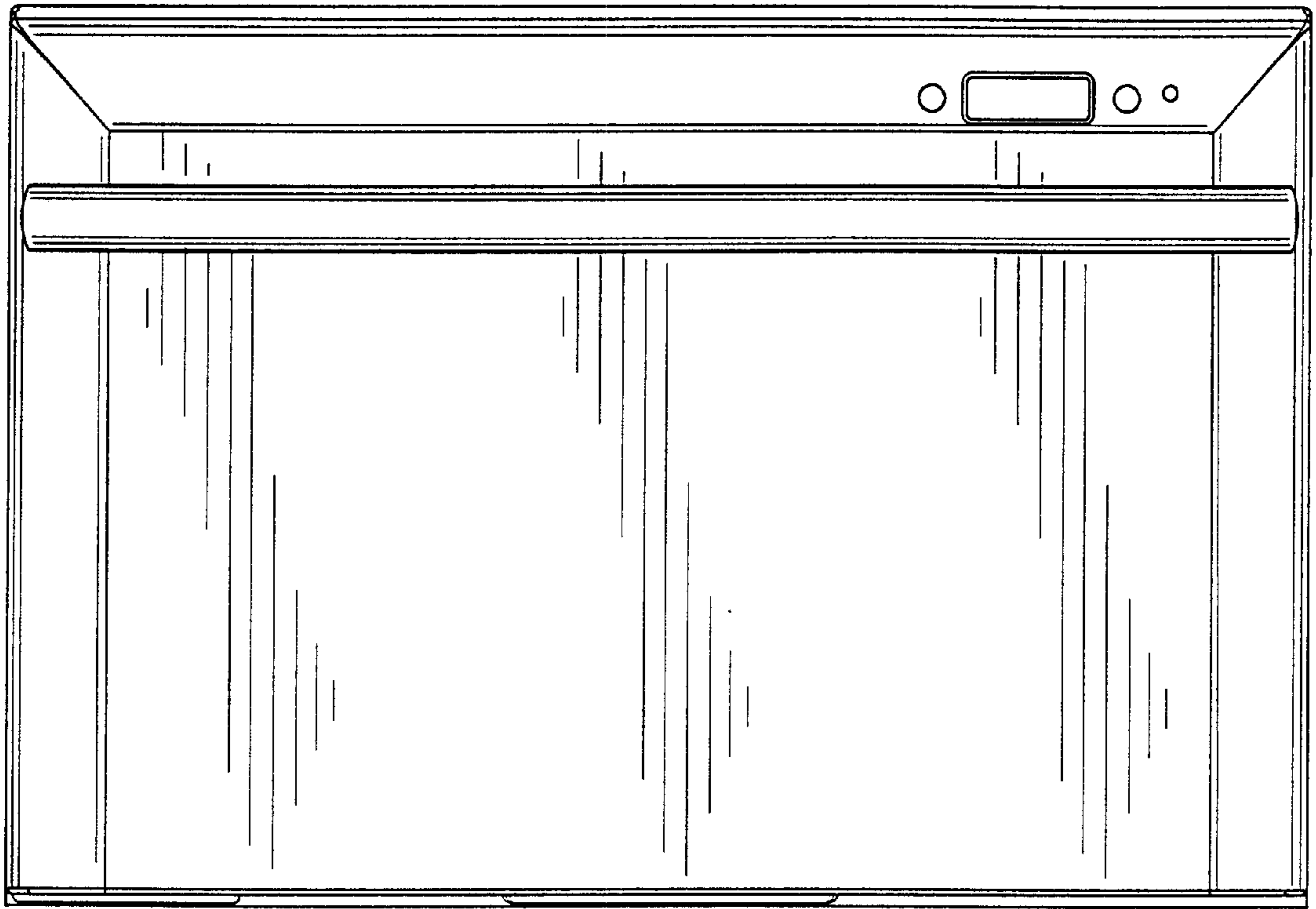


FIGURE 2

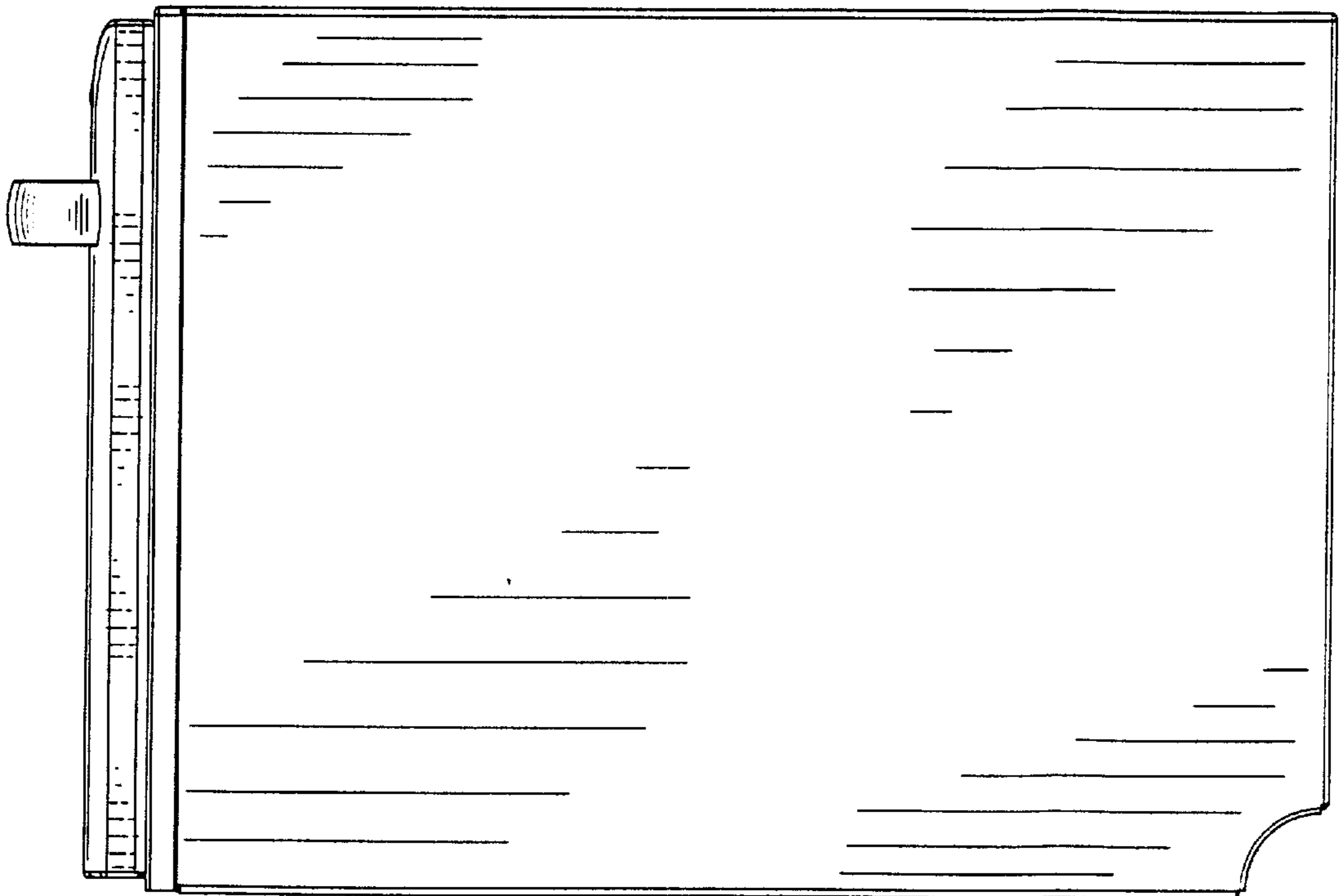


FIGURE 3

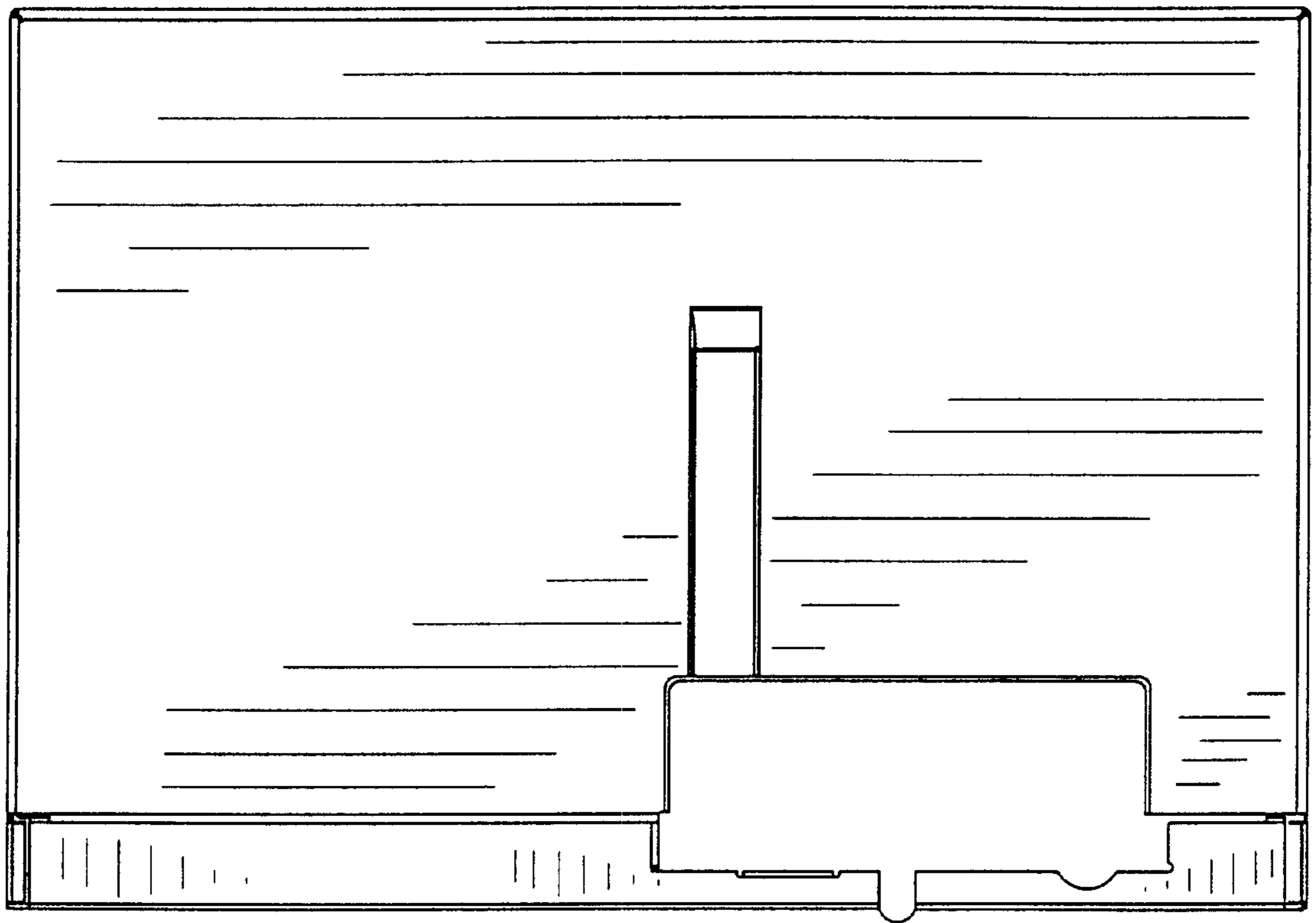


FIGURE 4

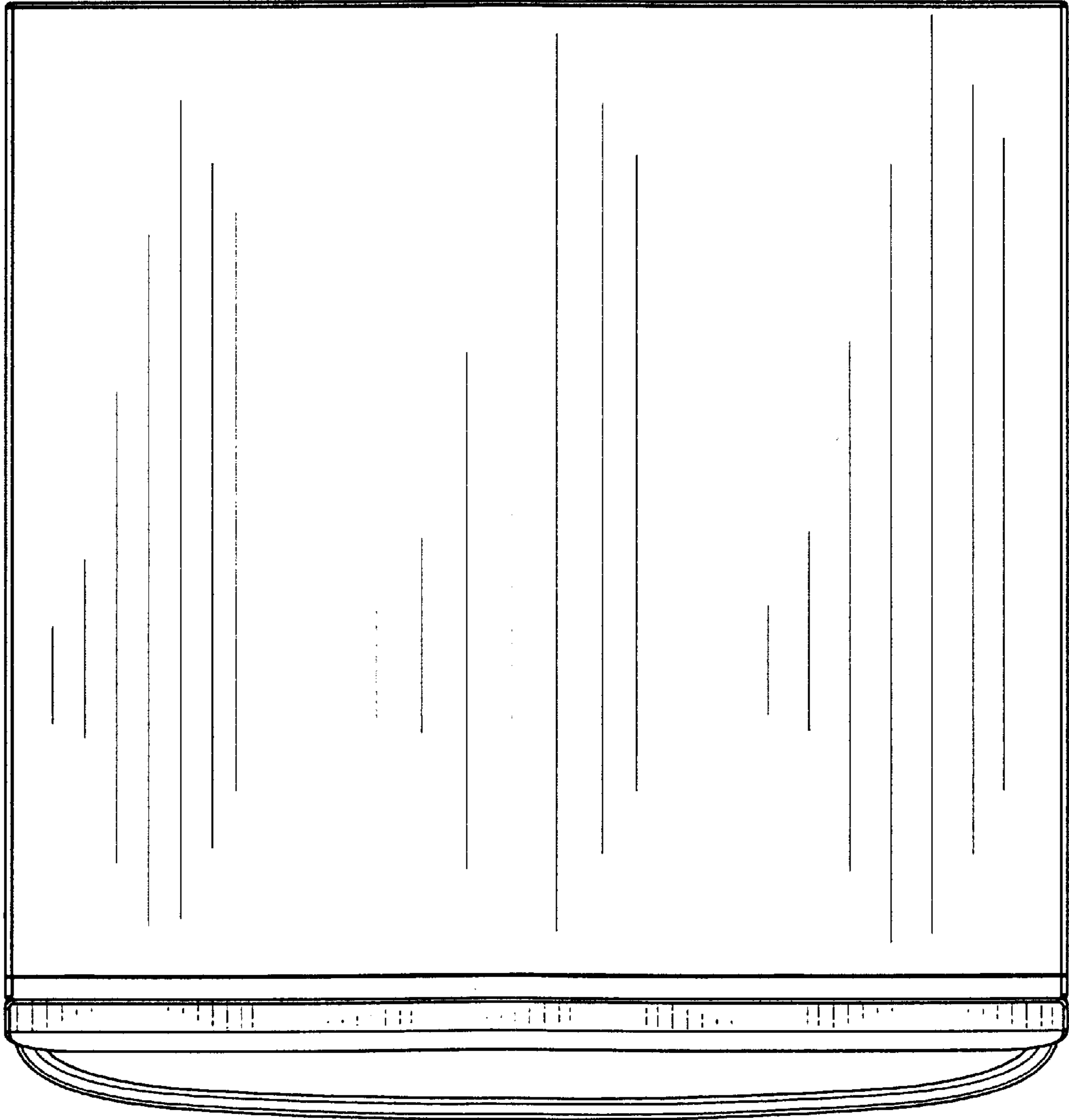


FIGURE 5

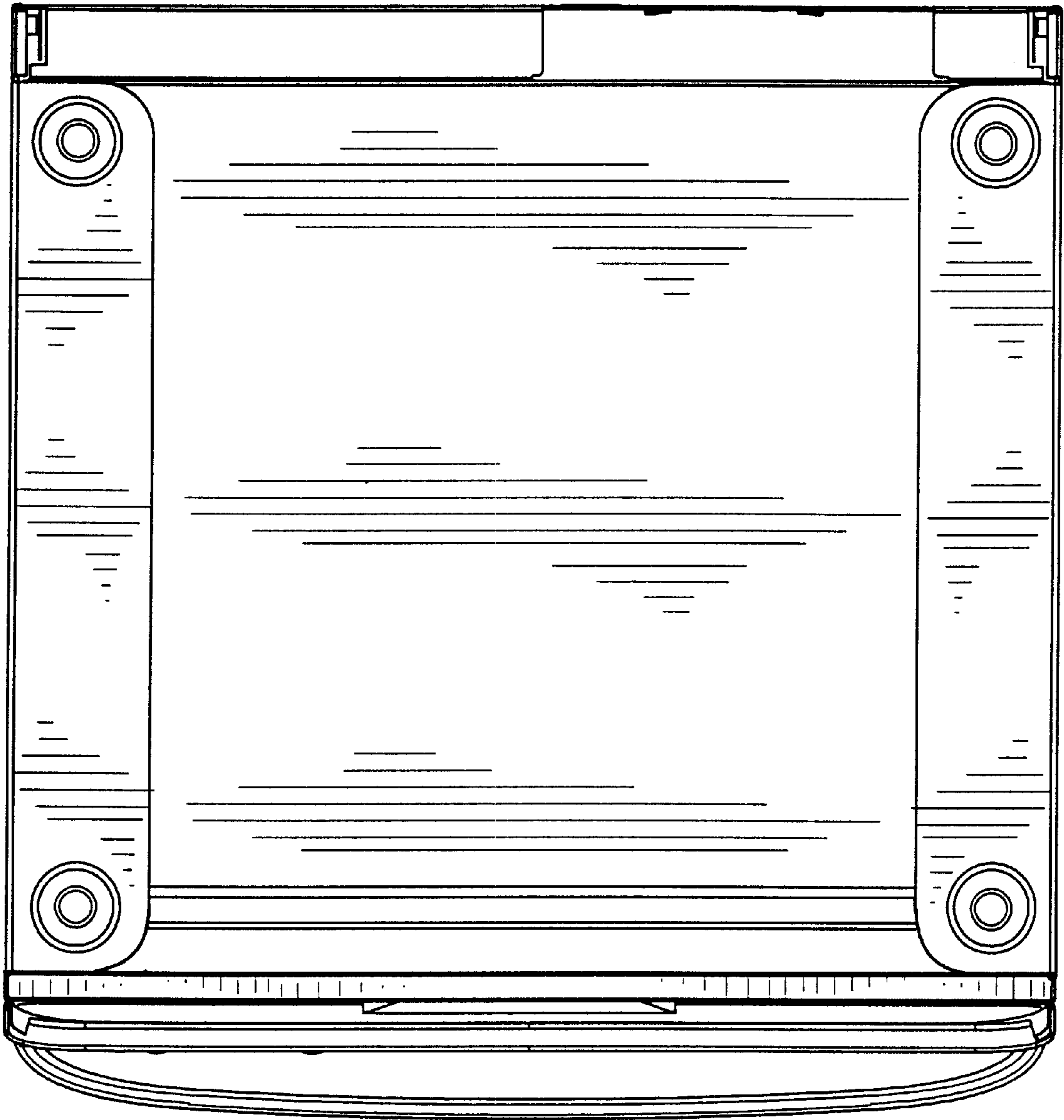


FIGURE 6