



US00D456568S

(12) **United States Design Patent**
Ouellet

(10) **Patent No.:** **US D456,568 S**

(45) **Date of Patent:** **** Apr. 30, 2002**

(54) **SCREEN CAP**

(76) Inventor: **Jean Ouellet**, 777, Rang 2 Nord,
St-Méthode (Québec) (CA), G0W-2Y0

(**) Term: **14 Years**

(21) Appl. No.: **29/062,615**

(22) Filed: **Nov. 20, 1996**

(51) **LOC (7) Cl.** **29-02**

(52) **U.S. Cl.** **D29/105**

(58) **Field of Search** D29/104-107;
2/425, 424, 9, 10, 206, 173

(56) **References Cited**

U.S. PATENT DOCUMENTS

D141,255 S	*	5/1945	Dannenberg	D2/866
D254,100 S	*	2/1980	Breger	D29/105
D254,638 S	*	4/1980	Bay, Jr.	D29/110
4,547,908 A	*	10/1985	Karlsson et al.	2/10
4,701,965 A	*	10/1987	Landis	2/9

4,850,049 A * 7/1989 Landis et al. 2/9

5,035,004 A * 7/1991 Koester 2/9

* cited by examiner

Primary Examiner—Ruth McInroy

(57) **CLAIM**

The ornamental design for a screen cap, as shown and described.

DESCRIPTION

FIG. 1 is a front perspective view of a screened cap showing my new design;

FIG. 2 is a side elevational view thereof;

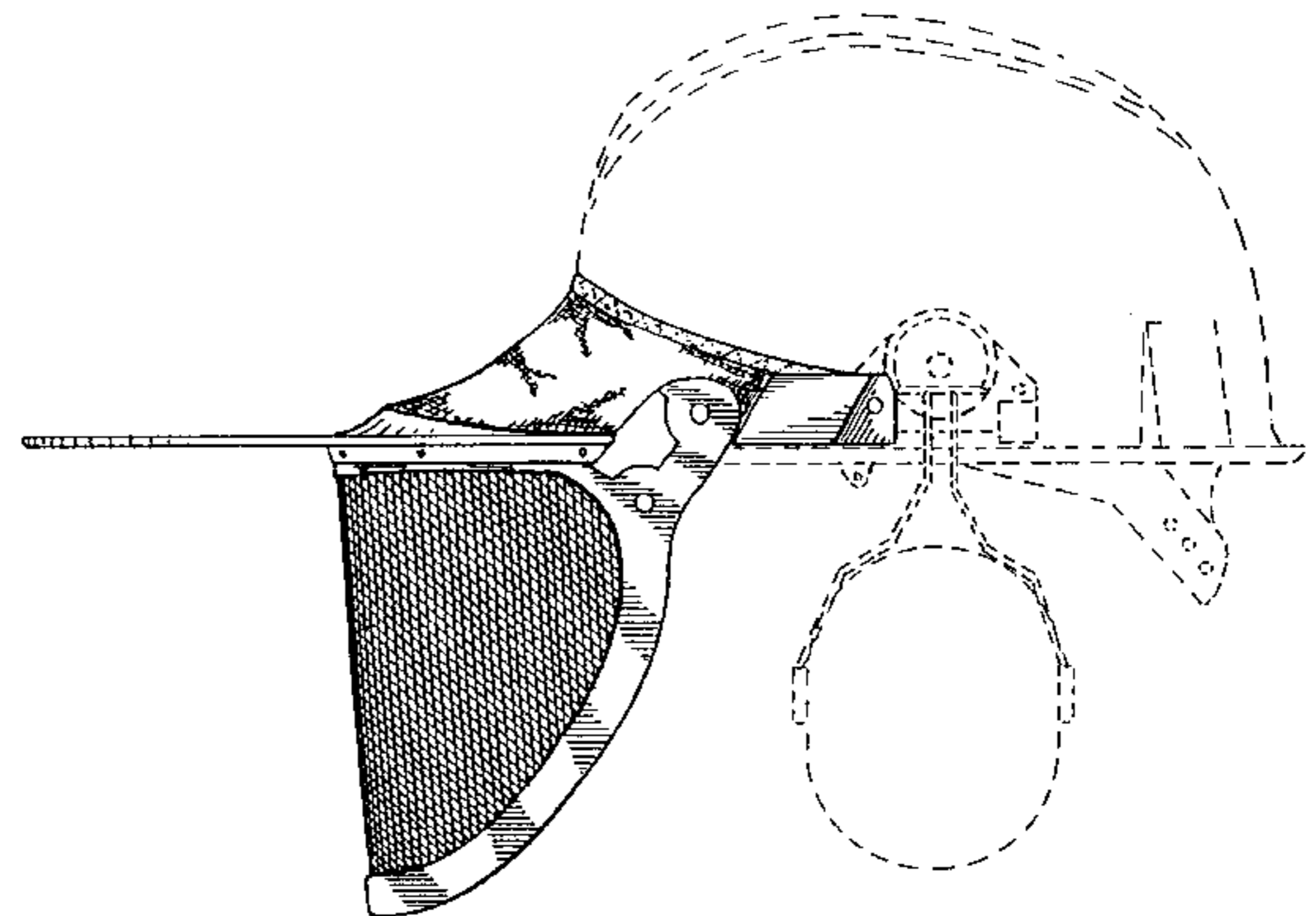
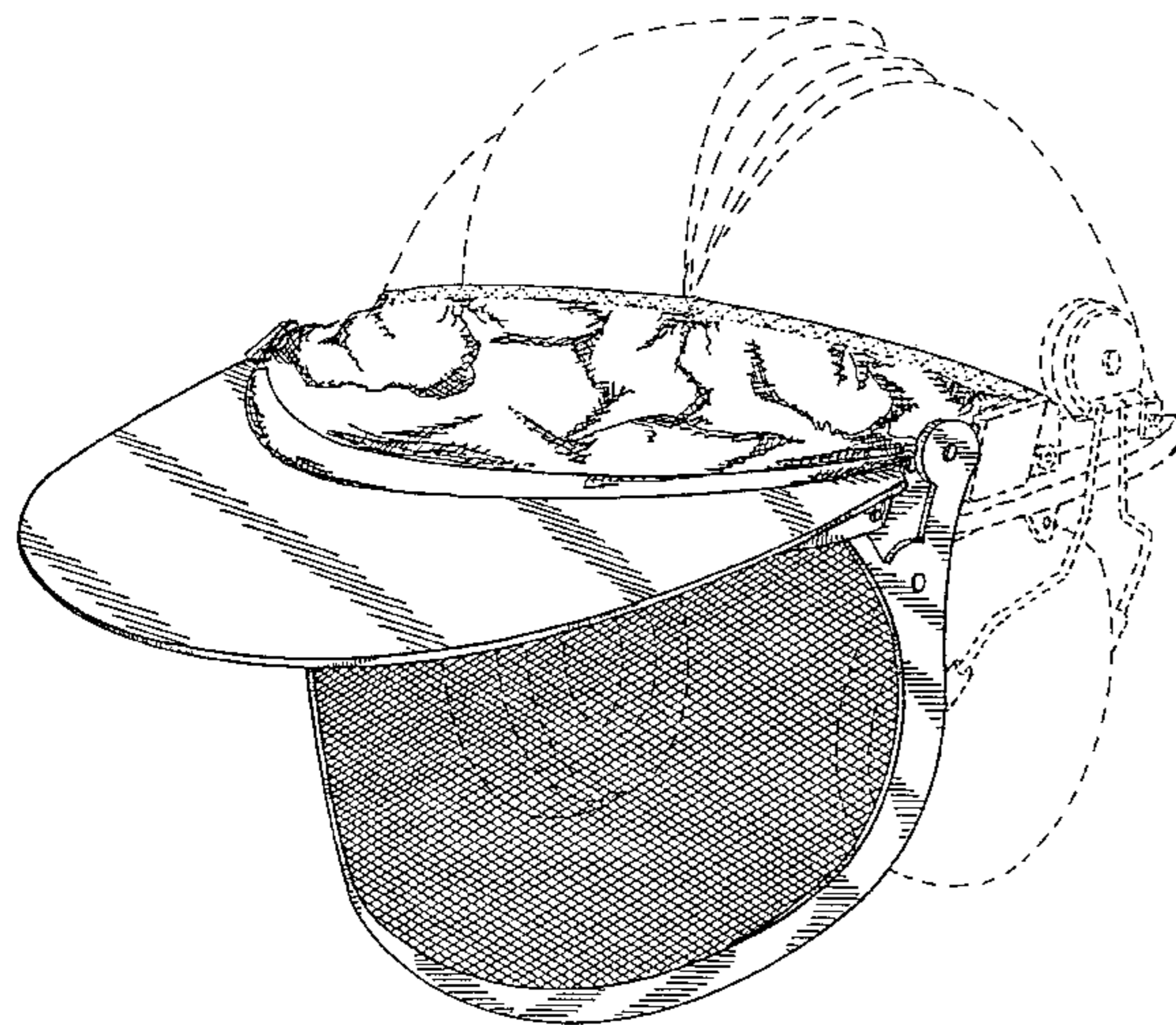
FIG. 3 is a bottom plan view thereof;

FIG. 4 is a front elevational view thereof; and,

FIG. 5 is a rear elevational view thereof.

The details shown in broken lines in FIGS. 1-4 are for illustrative purposes only and form no part of the claimed design.

1 Claim, 4 Drawing Sheets



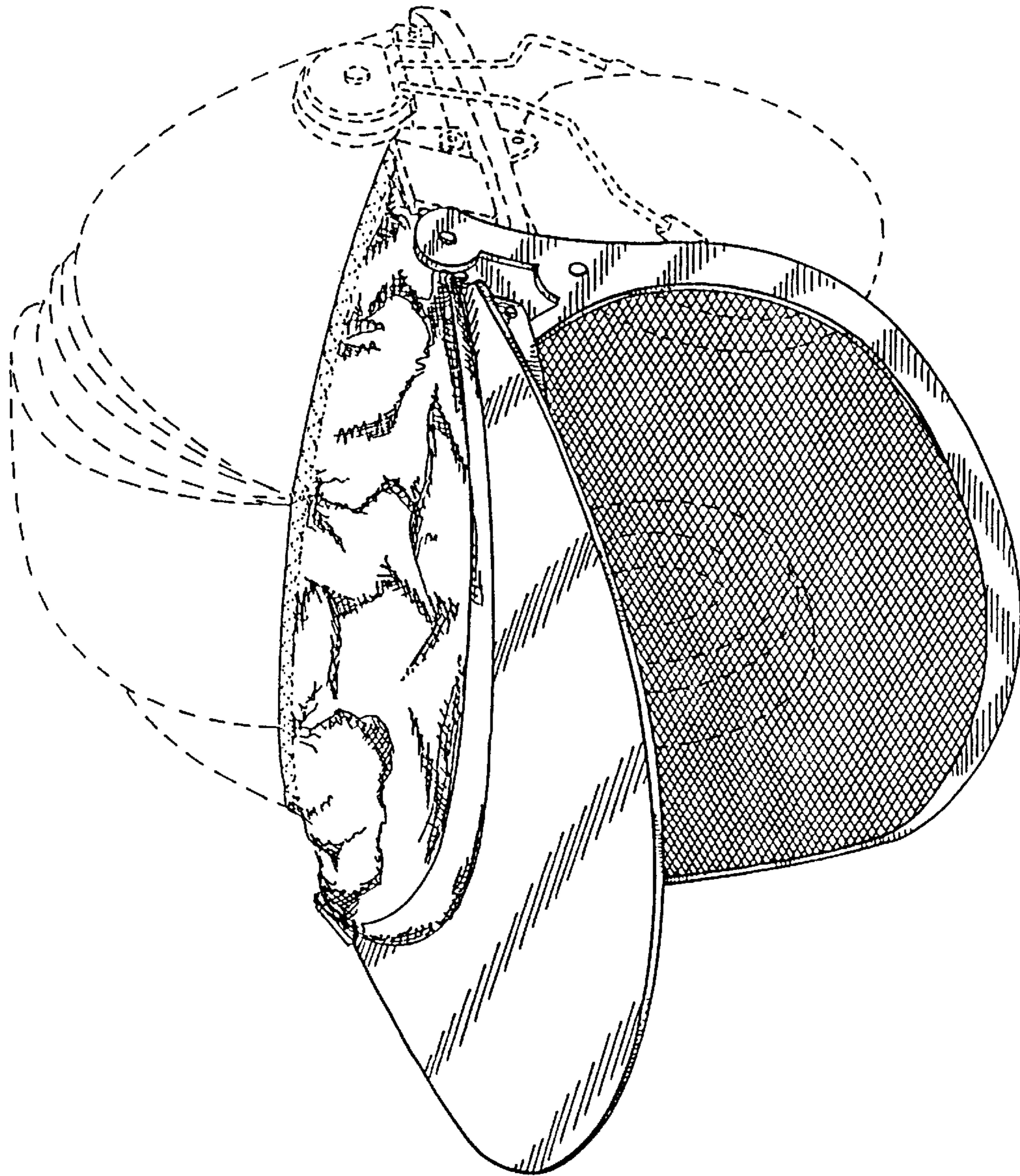
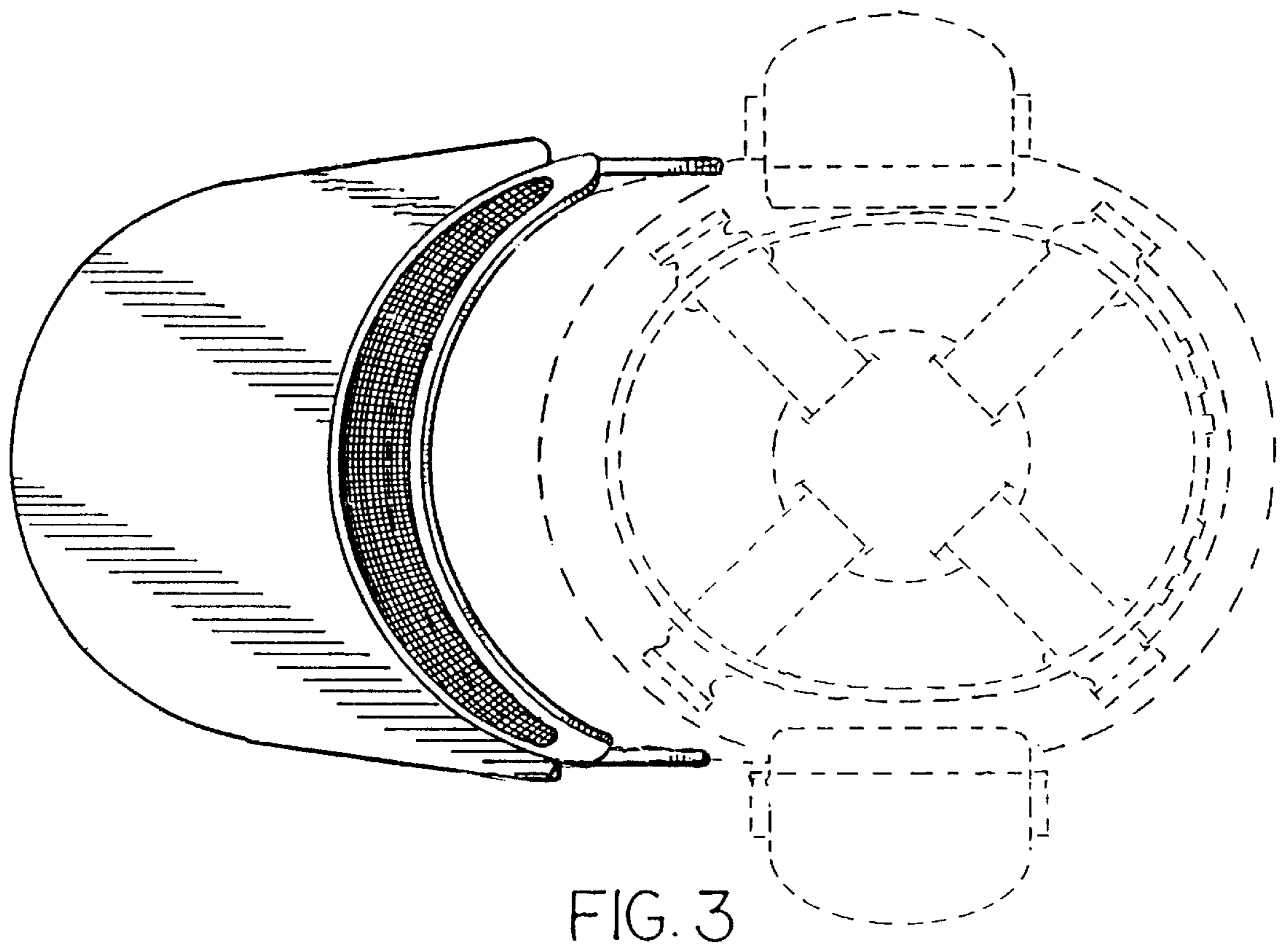
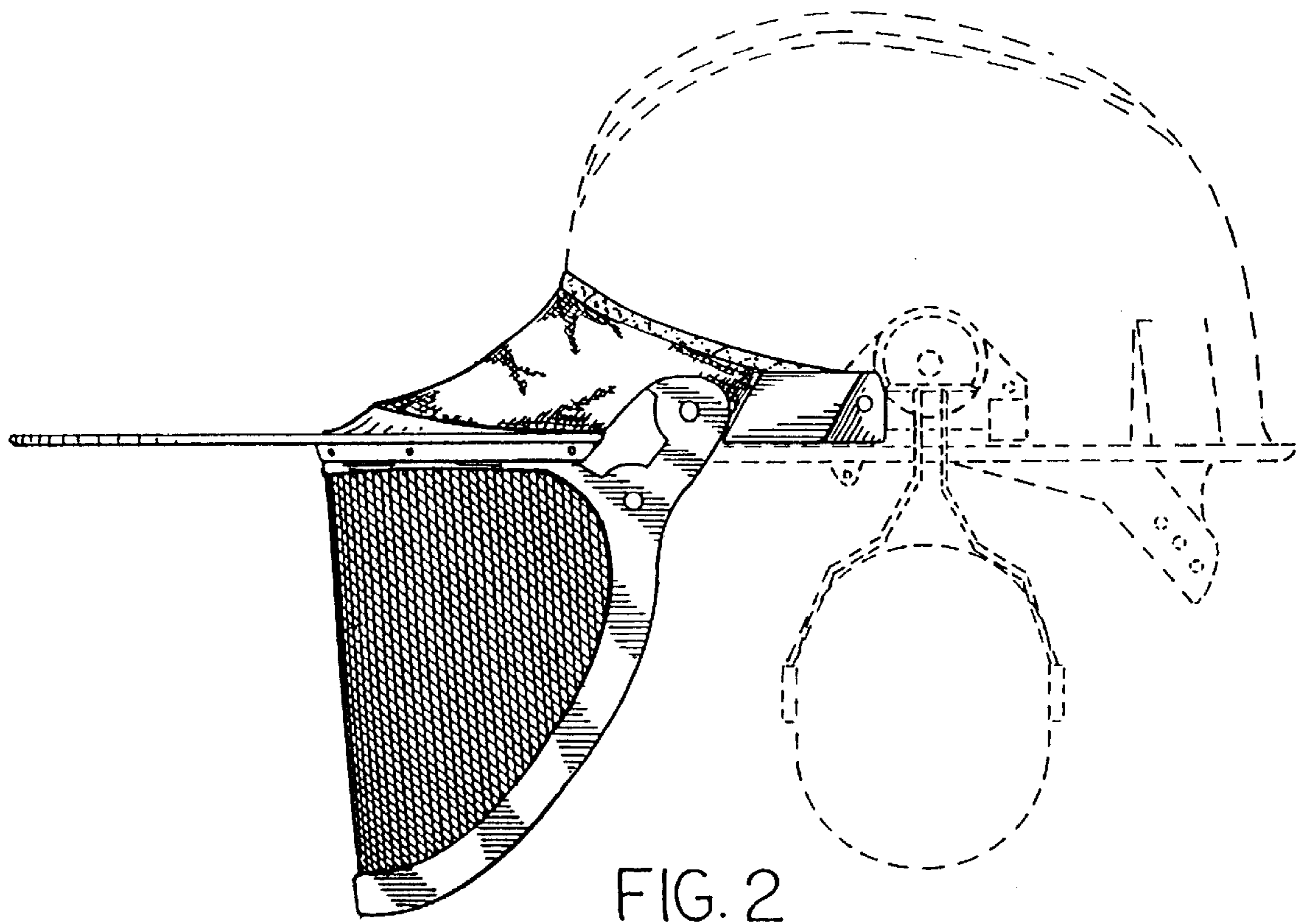


FIG. 1



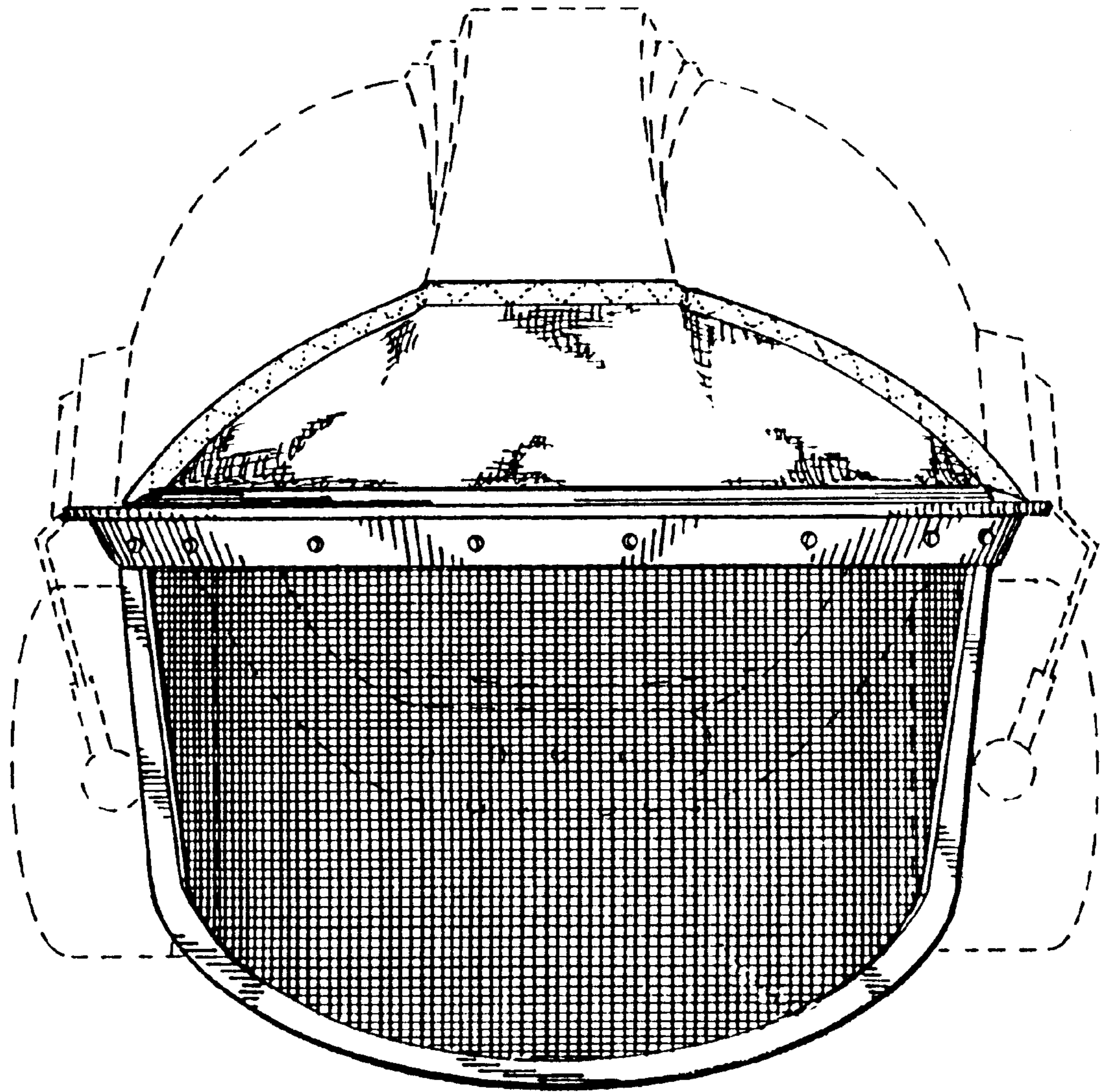


FIG. 4

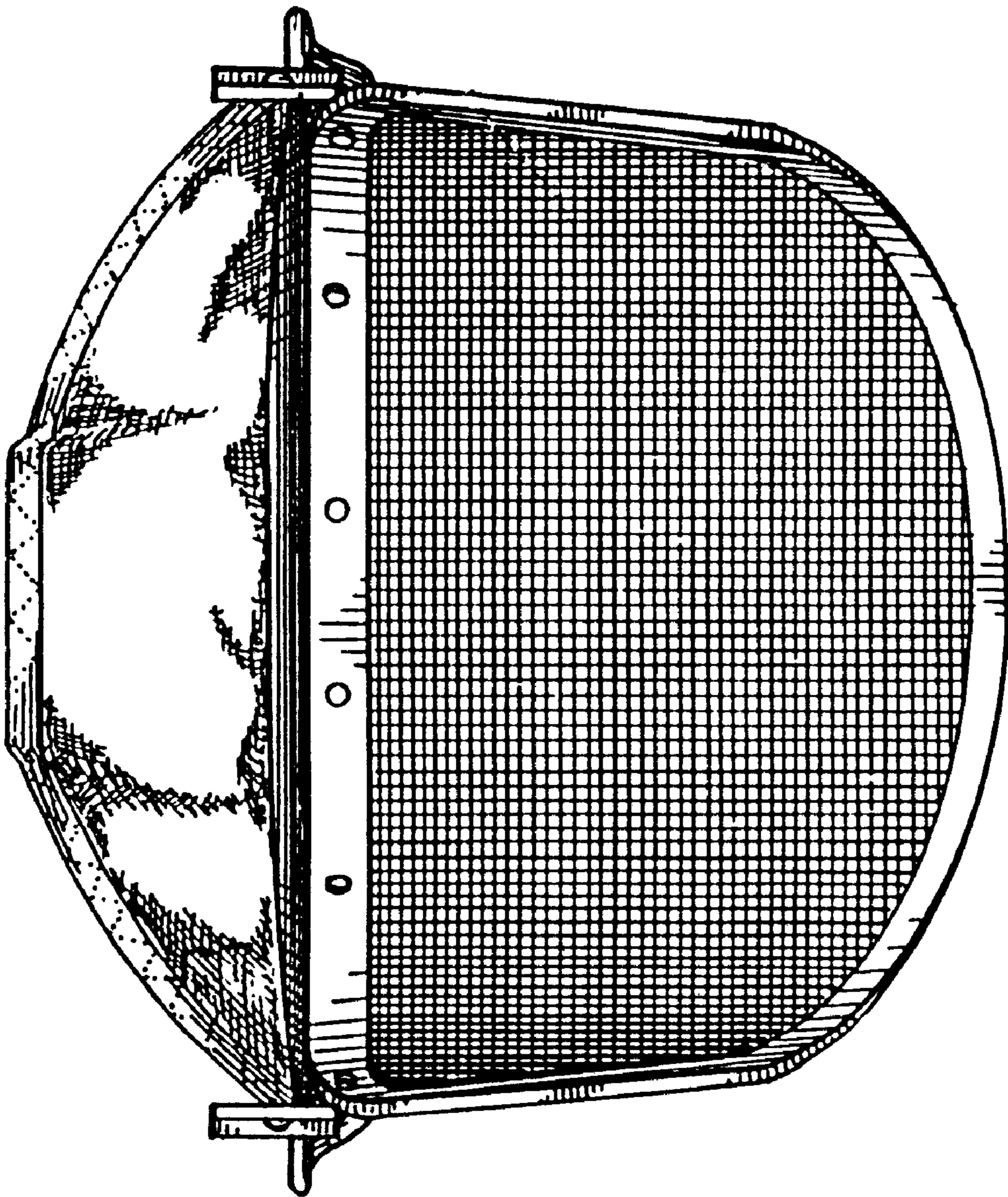


FIG. 5