



US00D456563S

(12) **United States Design Patent**
Kwiecien et al.

(10) **Patent No.:** **US D456,563 S**

(45) **Date of Patent:** **** Apr. 30, 2002**

(54) **SHAVING AID STRIP FOR RAZOR
CARTRIDGE**

D436,691 S 1/2001 Kwiecien et al. D28/47
D447,283 S * 8/2001 Tseng et al. D28/47

(75) Inventors: **Michael J. Kwiecien**, Scituate; **Vincent P. Walker, Jr.**, Bridgewater, both of MA (US)

* cited by examiner

Primary Examiner—Ted Shooman

Assistant Examiner—C Tuttle

(74) *Attorney, Agent, or Firm*—Stephan Williams

(73) Assignee: **The Gillette Company**, Boston, MA (US)

(57) **CLAIM**

(**) Term: **14 Years**

The ornamental design for shaving aid strip for razor cartridge, as shown and described.

(21) Appl. No.: **29/134,126**

DESCRIPTION

(22) Filed: **Dec. 14, 2000**

(51) **LOC (7) Cl.** **28-03**

(52) **U.S. Cl.** **D28/47**

(58) **Field of Search** D28/44-47; 30/32, 30/41, 34.05, 47-51, 77, 81

FIG. 1 is a perspective view of a shaving aid strip for a razor cartridge showing our new design;

FIG. 2 is a side elevation view thereof, the other side elevation view being a mirror image thereof;

FIG. 3 is a top plan view thereof;

FIG. 4 is a front elevation view thereof; and,

FIG. 5 is a rear elevation view thereof.

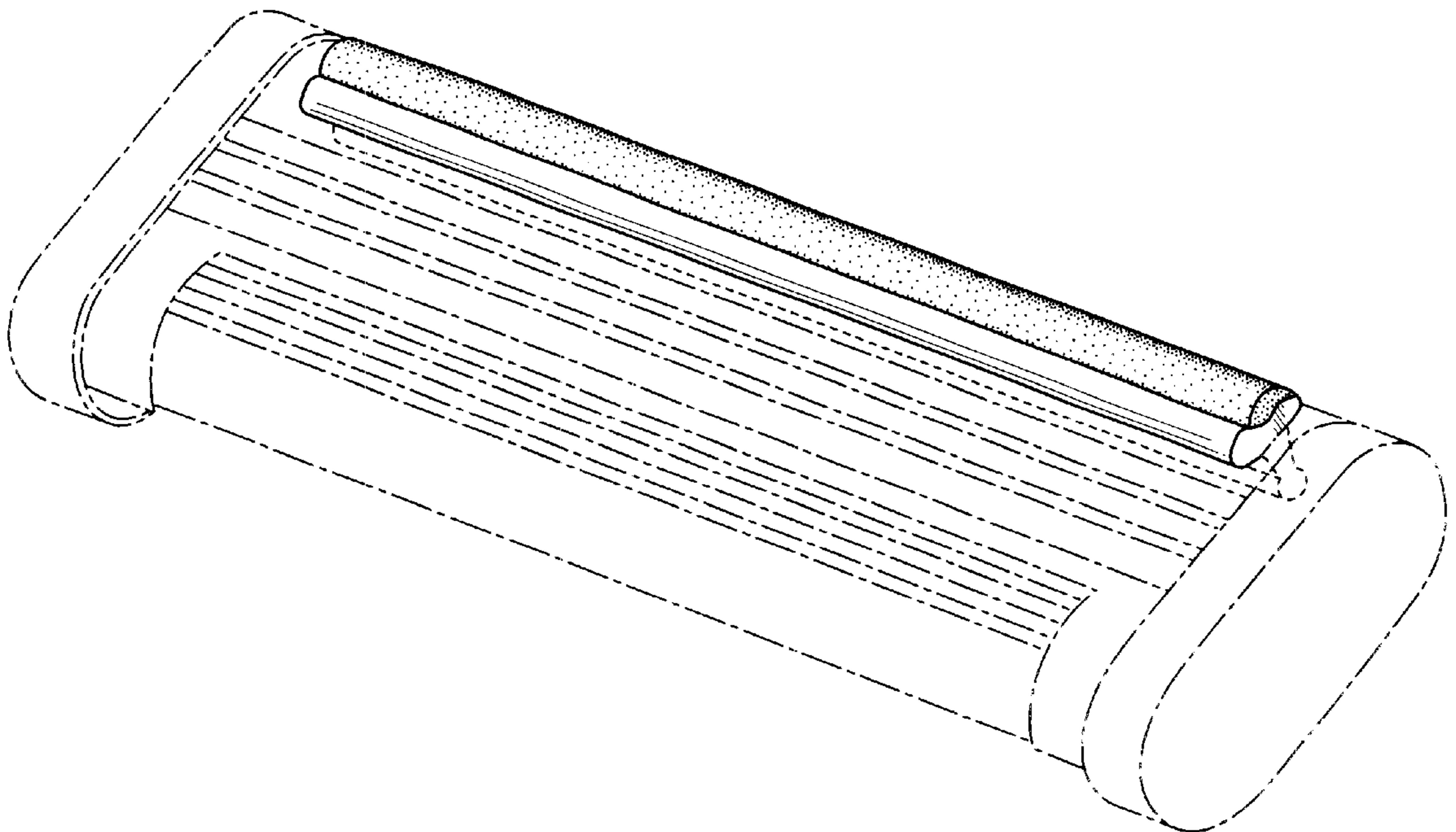
The broken line which defines the lower boundary of the claimed design forms no part thereof. The broken lines showing the razor cartridge and parts underlying the broken line boundary are for illustrative purposes only and form no part of the claimed design. The stippling represents a color contrasting surface.

(56) **References Cited**

U.S. PATENT DOCUMENTS

3,517,442 A	*	6/1970	Regan	30/41
5,430,939 A		7/1995	Johnston	30/41
D401,014 S		11/1998	Tseng et al.	D28/47
5,956,848 A	*	9/1999	Tseng et al.	30/41
5,956,849 A		9/1999	Chadwick et al.	30/41
D422,380 S		4/2000	Tseng et al.	D28/47

1 Claim, 1 Drawing Sheet



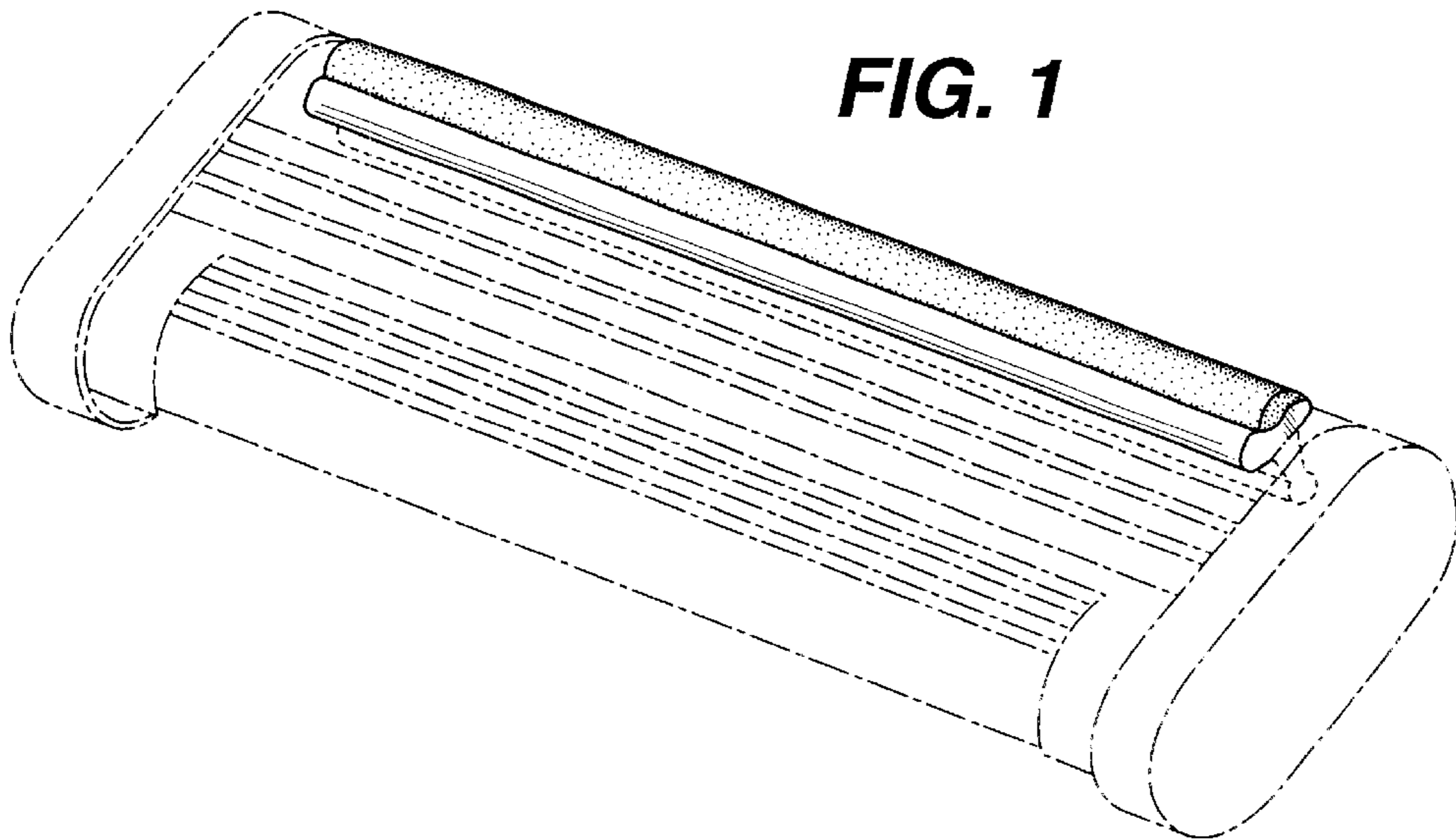


FIG. 1

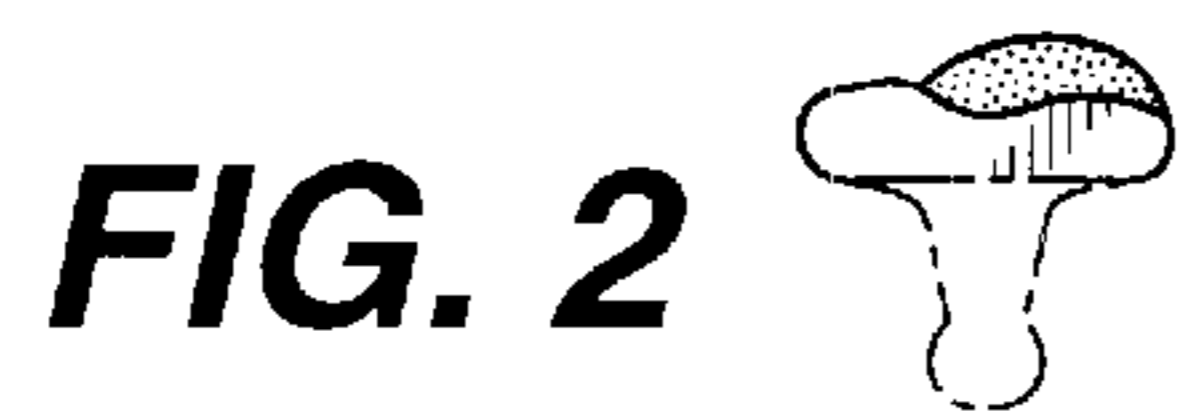


FIG. 2

FIG. 3

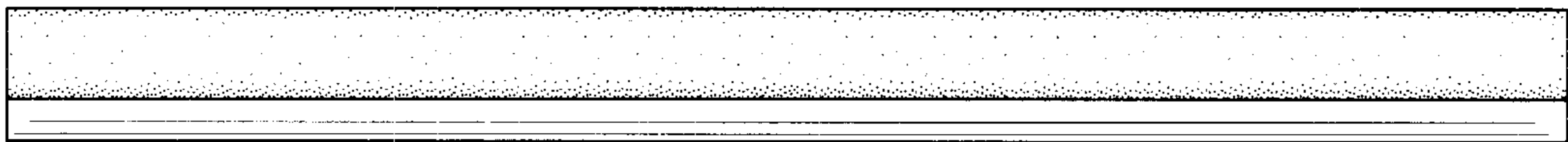


FIG. 4

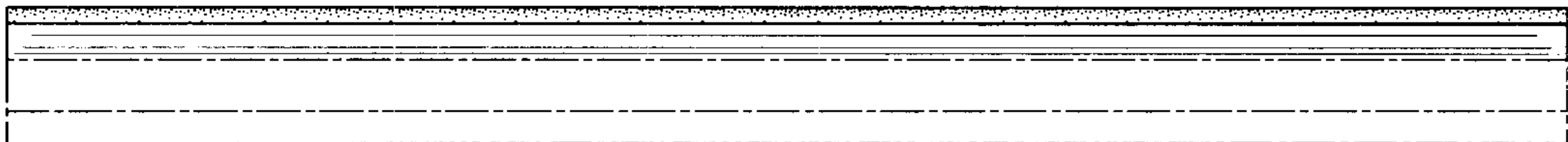


FIG. 5

