



US00D456559S

(12) **United States Design Patent**
Chandaria

(10) **Patent No.:** **US D456,559 S**

(45) **Date of Patent:** **** Apr. 30, 2002**

(54) **FIRESTARTER**

(75) Inventor: **Dhiren Chandaria**, Willowdale (CA)

(73) Assignee: **Conros Corporation**, North York (CA)

(**) Term: **14 Years**

(21) Appl. No.: **29/140,448**

(22) Filed: **Apr. 16, 2001**

(51) **LOC (7) Cl.** **27-05**

(52) **U.S. Cl.** **D27/139**

(58) **Field of Search** D27/139, 140;
D7/416; 44/507, 511

(56) **References Cited**

U.S. PATENT DOCUMENTS

1,054,680	A	*	3/1913	Denmead	44/511
D47,250	S	*	4/1915	Ryan	D27/140
3,272,604	A	*	9/1966	Tigrett et al.	44/507
D276,085	S	*	10/1984	Oatman	D27/139
D294,649	S		3/1988	Carr et al.		
D296,016	S		5/1988	Carr et al.		

* cited by examiner

Primary Examiner—Jennifer Rivard

(74) *Attorney, Agent, or Firm*—Sand & Sebolt

(57) **CLAIM**

The ornamental design for a firestarter, as shown and described.

DESCRIPTION

FIG. 1 is a perspective view of the “firestarter” of the present invention;

FIG. 2 is a top plan view of the “firestarter” shown in FIG. 1;

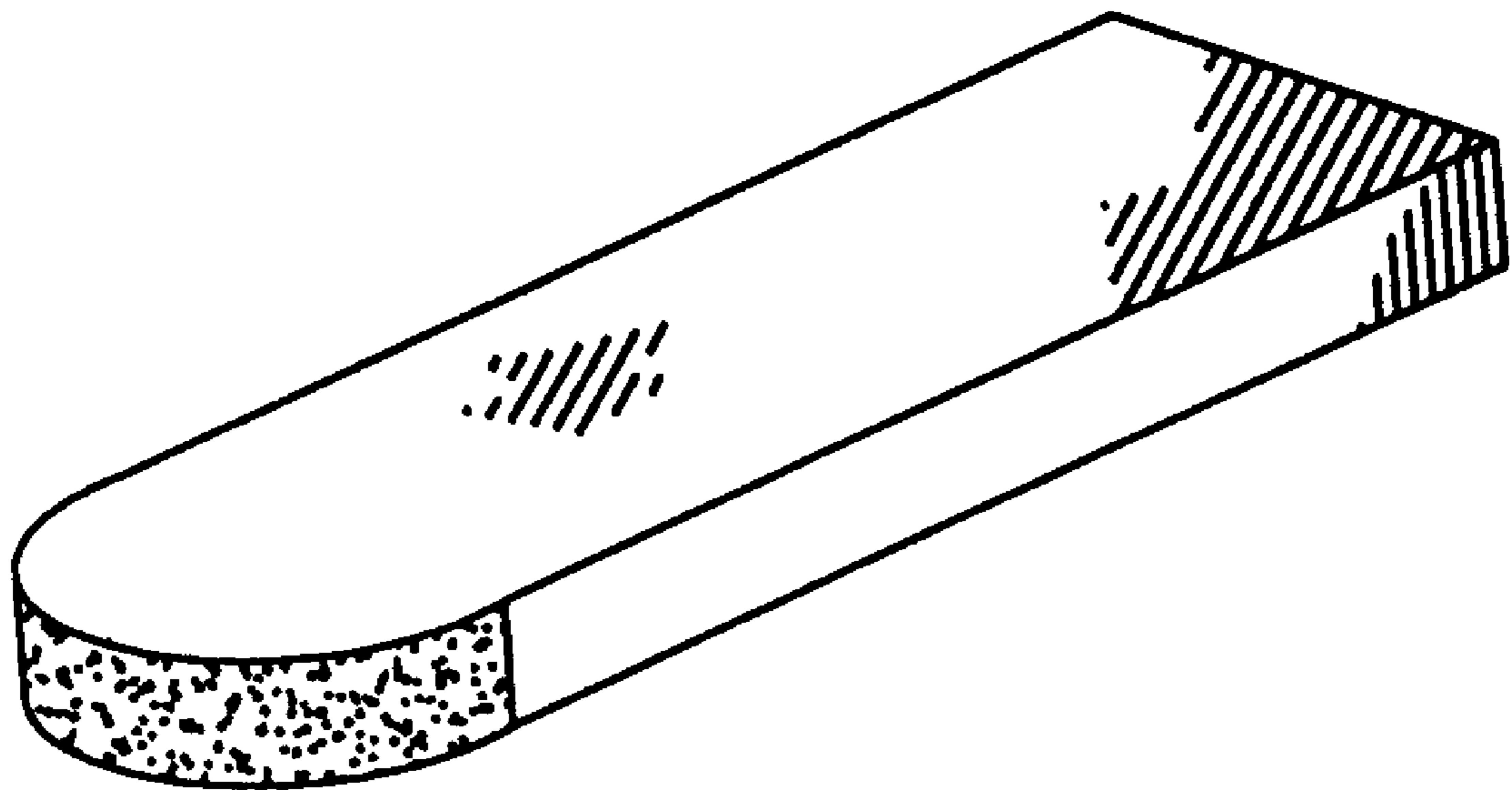
FIG. 3 is a right side elevational view of the “firestarter” shown in FIG. 1;

FIG. 4 is a front view of the “firestarter” shown in FIG. 1;

FIG. 5 is a rear view of the “firestarter” shown in FIG. 1; and,

FIG. 6 is a left side elevational view of the “firestarter” shown in FIG. 1.

1 Claim, 2 Drawing Sheets



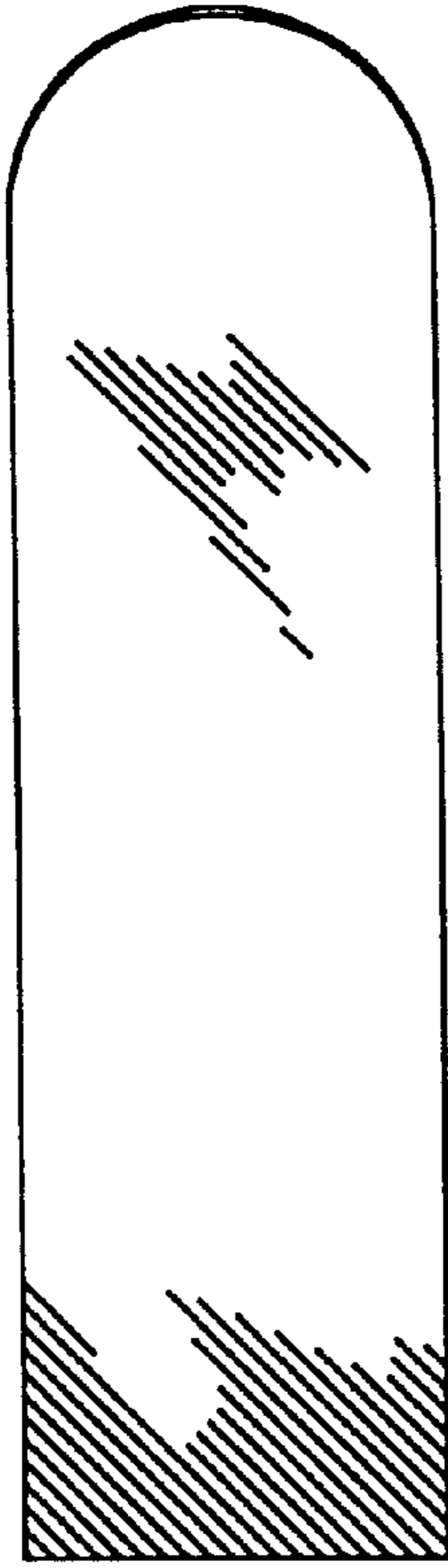


Fig 2

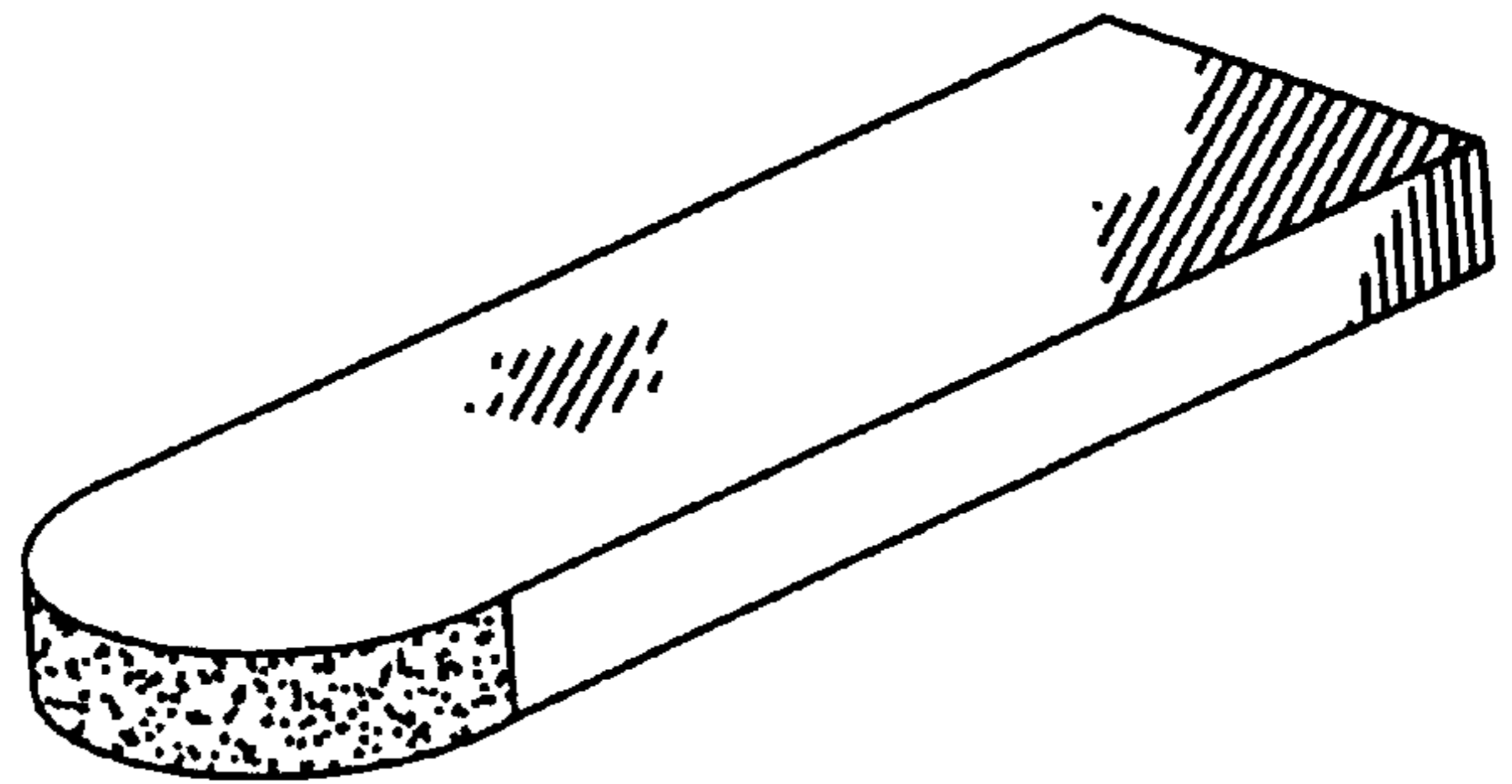


Fig 1



Fig 3



Fig 4



Fig 5



Fig 6