



US00D456558S

(12) **United States Design Patent**  
**De'Armond**

(10) **Patent No.:** **US D456,558 S**

(45) **Date of Patent:** **\*\* Apr. 30, 2002**

(54) **LAMP SUPPORT ARM**

(75) Inventor: **Robert De'Armond**, Temecula, CA  
(US)

(73) Assignee: **Minka Lighting, Inc.**, Corona, CA  
(US)

(\*\*) Term: **14 Years**

(21) Appl. No.: **29/140,720**

(22) Filed: **Apr. 23, 2001**

(51) **LOC (7) Cl.** ..... **26-99**

(52) **U.S. Cl.** ..... **D26/155**

(58) **Field of Search** ..... D26/67, 68, 72,  
D26/80-92, 143, 145, 147, 153-155; 362/404-408,  
147, 432

(56) **References Cited**

**U.S. PATENT DOCUMENTS**

- D53,475 S \* 6/1919 Westphal
- D61,062 S \* 6/1922 Dahl
- D68,814 S \* 11/1925 Kranz
- D159,423 S \* 7/1950 Kushner
- D314,834 S \* 2/1991 Rottner ..... D26/87
- D428,187 S 7/2000 De'Armond
- D434,522 S \* 11/2000 De'Armond et al. .... D26/155

**OTHER PUBLICATIONS**

U.S. application No. 29/140,721, filed Apr. 23, 2001, Robert De'Armond.

Minka Lighting, Inc.; *The Great Outdoors* by Minka-Lavery Two Thousand; Jun. 21, 2000; pp. 32, 33; Minka Lighting, Inc.; U.S.A.

\* cited by examiner

*Primary Examiner*—Alan P. Douglas

*Assistant Examiner*—Clare E. Heflin

(74) *Attorney, Agent, or Firm*—Jenkins & Gilchrist, P.C.

(57) **CLAIM**

The ornamental design for the lamp support arm, as shown and described.

**DESCRIPTION**

FIG. 1 is a side elevation view of the lamp support arm in accordance with my design, illustrating the environment of the support arm;

FIG. 2 is a front elevation view of the lamp support arm in accordance with my design;

FIG. 3 is a side elevation view of the lamp support arm in accordance with my design;

FIG. 4 illustrates the rear elevation view of the lamp support arm in accordance with my design;

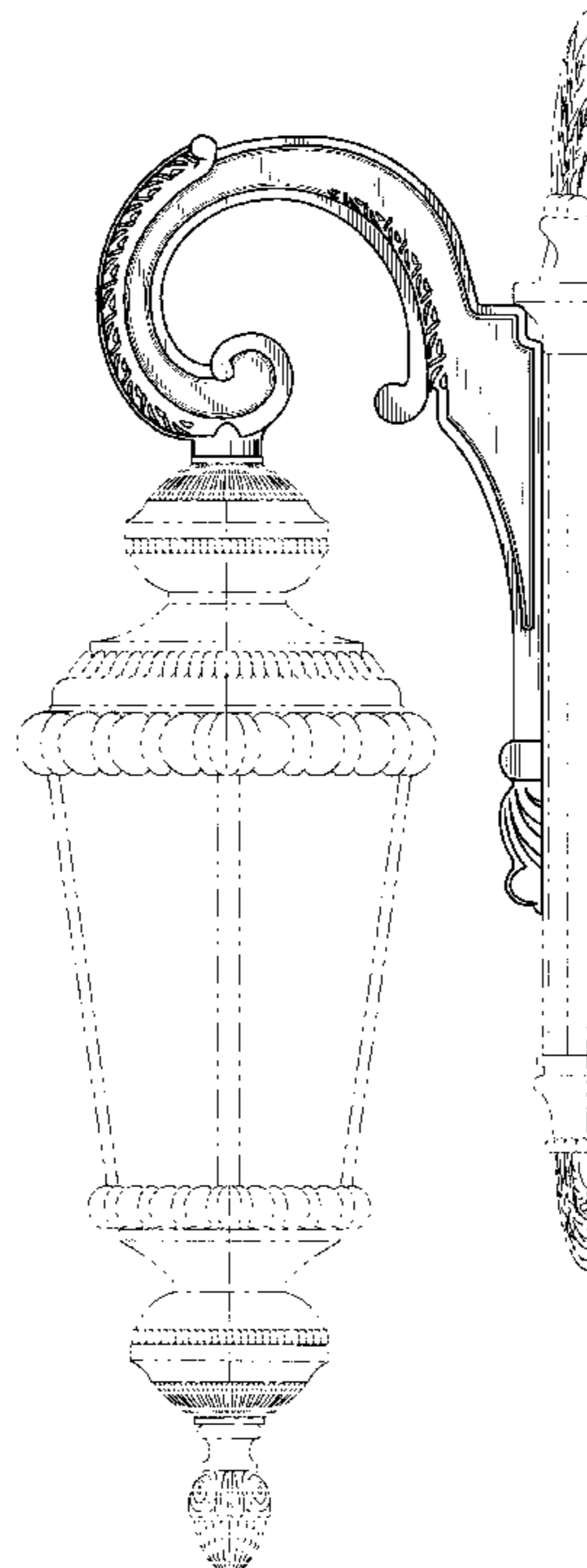
FIG. 5 illustrates the top view of the lamp support arm in accordance with my design; and,

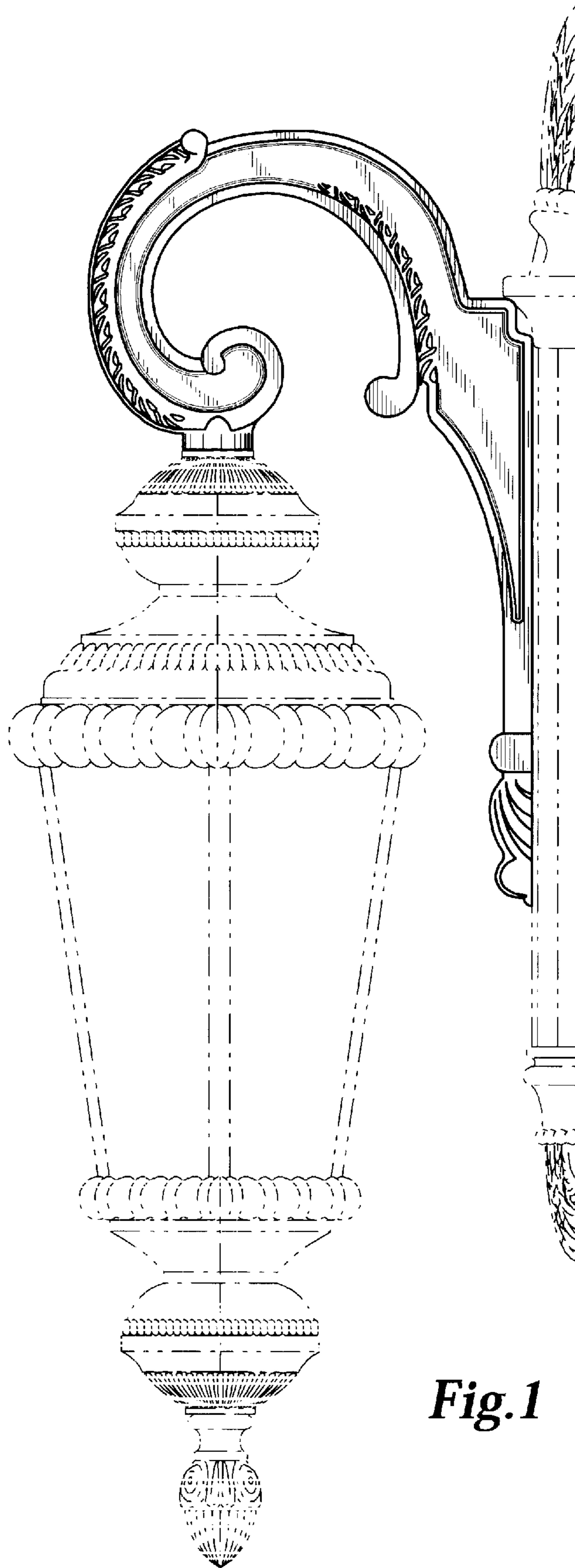
FIG. 6 illustrates the bottom plan view of the lamp support arm in accordance with my design.

The right and left elevation views are symmetrical.

The broken line showing of environmental structure is for illustrative purposes only and forms no part of the claimed design.

**1 Claim, 2 Drawing Sheets**

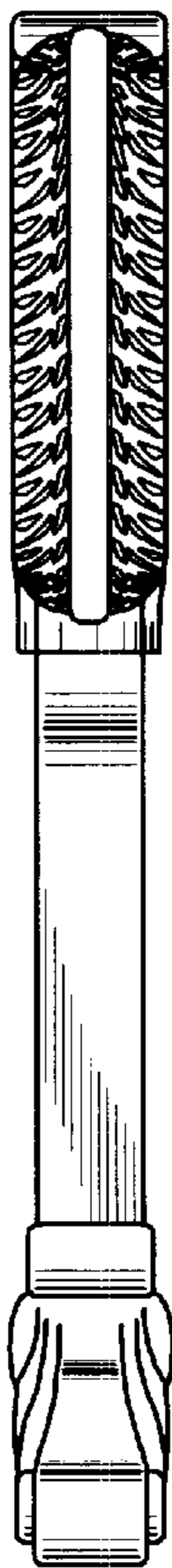




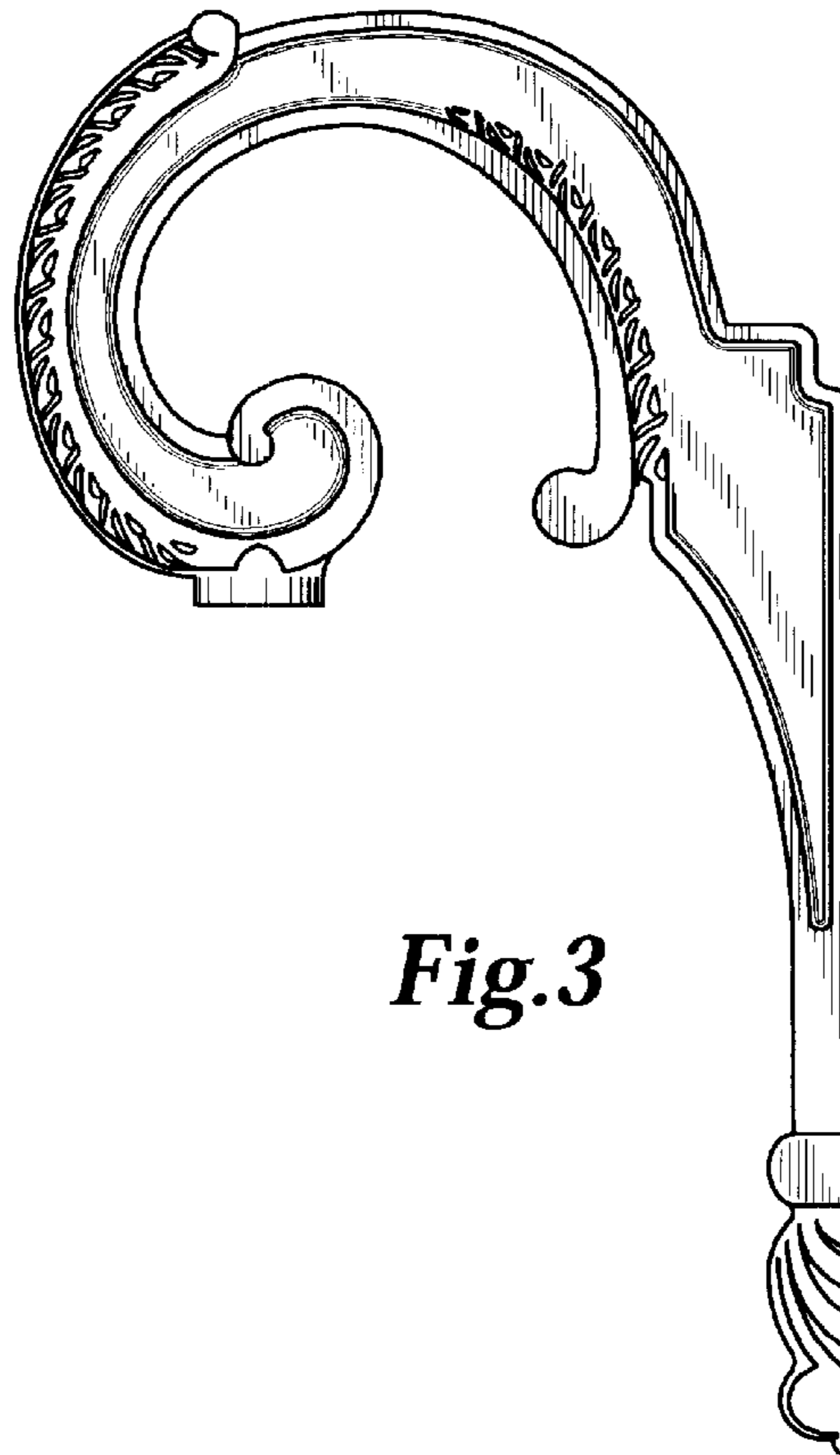
**Fig. 1**



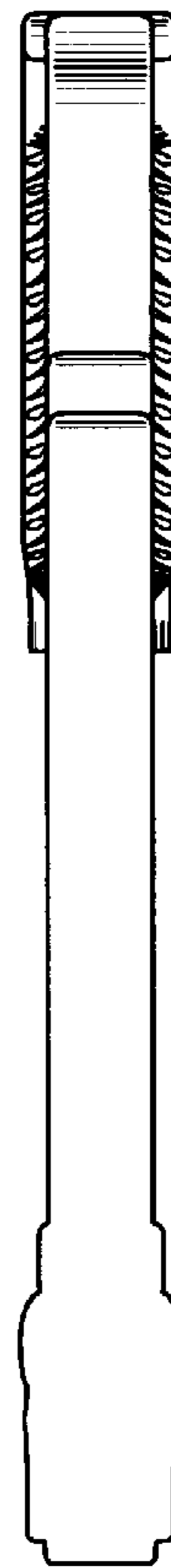
*Fig. 5*



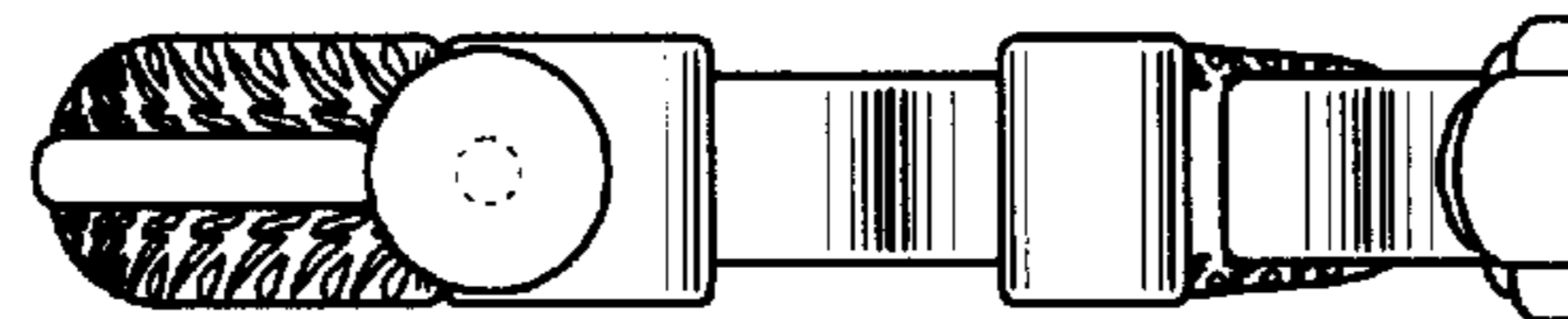
*Fig. 2*



*Fig. 3*



*Fig. 4*



*Fig. 6*