

US00D456557S

(12) **United States Design Patent**
Chen

(10) **Patent No.:** **US D456,557 S**

(45) **Date of Patent:** **** Apr. 30, 2002**

(54) **LAMPSHADE**

(76) **Inventor:** **Wen Tsung Chen**, P.O. Box 26-757,
Taipei (TW), 106

(**) **Term:** **14 Years**

(21) **Appl. No.:** **29/138,583**

(22) **Filed:** **Mar. 13, 2001**

(51) **LOC (7) Cl.** **26-99**

(52) **U.S. Cl.** **D26/118**

(58) **Field of Search** D26/118, 125-137,
D26/60; 362/277, 285, 311, 361, 362, 363,
351, 355, 356, 806

(56) **References Cited**

U.S. PATENT DOCUMENTS

D434,172 S * 11/2000 Bernd D26/125
D439,691 S * 3/2001 Huang D26/118

* cited by examiner

Primary Examiner—Jennifer Rivard
(74) *Attorney, Agent, or Firm*—Rabin & Berdo, P.C.

(57) **CLAIM**

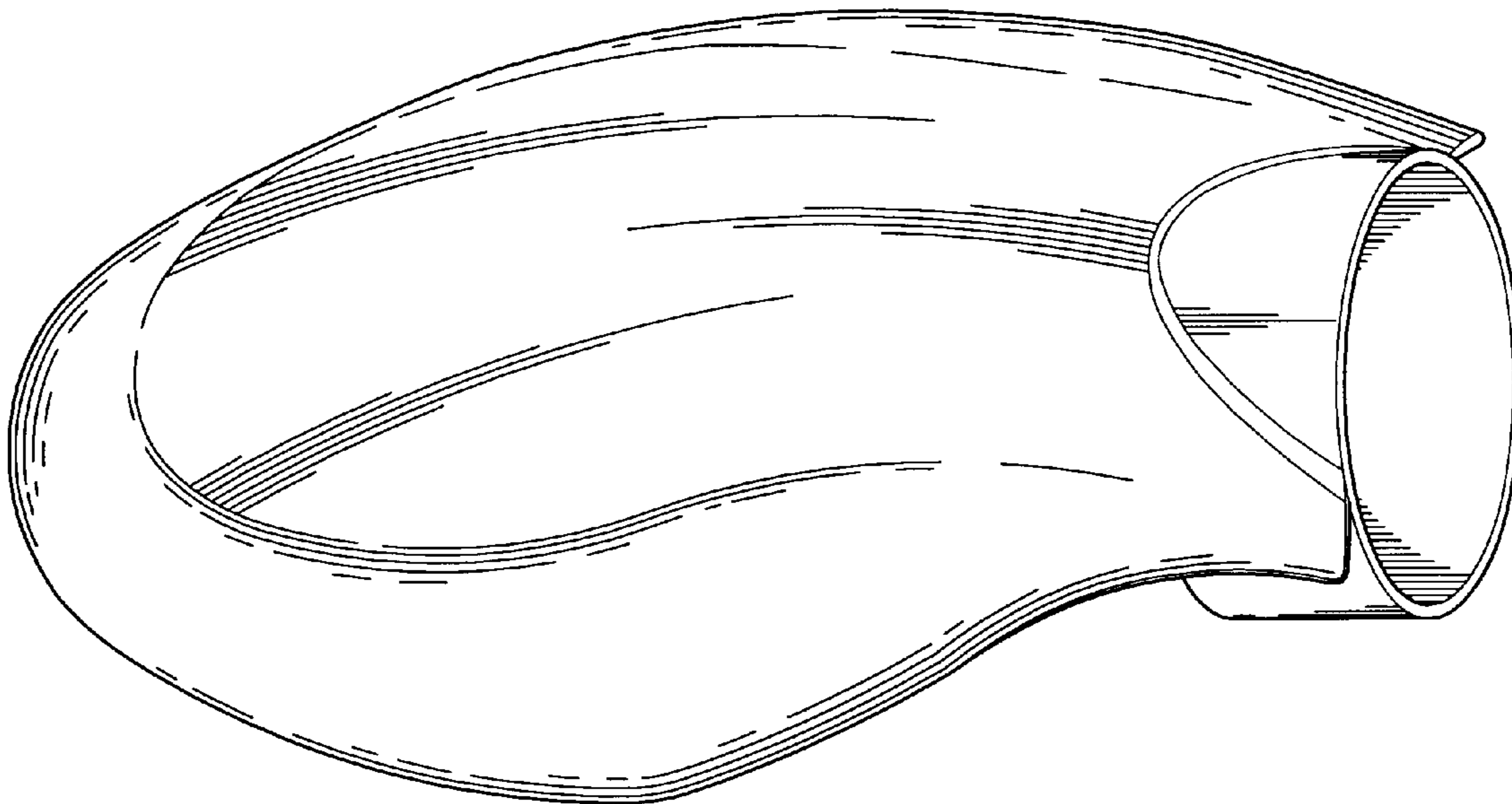
The ornamental design for a “lampshade”, as shown and described.

DESCRIPTION

FIG. 1 is the perspective view of a “lampshade” showing my new design;
FIG. 2 is the front view thereof;
FIG. 3 is the rear view thereof;
FIG. 4 is the left side view thereof;
FIG. 5 is the right side view thereof;
FIG. 6 is the top view thereof;
FIG. 7 is the bottom view thereof; and,
FIG. 8 is the perspective view showing the practical usage thereof.

The broken line environmental showing is for illustrative purposes only and forms no part of the claimed design.

1 Claim, 8 Drawing Sheets



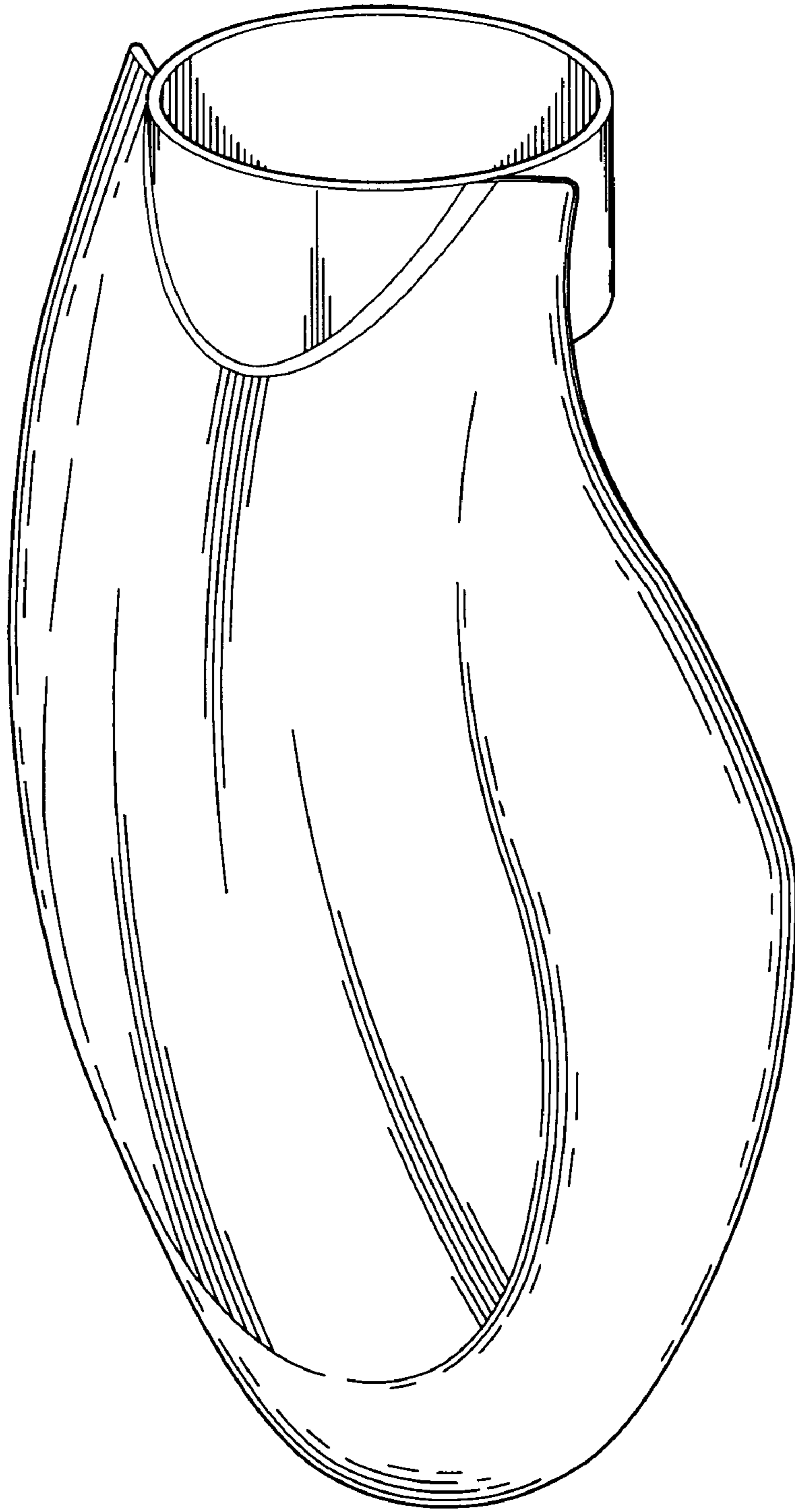


FIG. 1

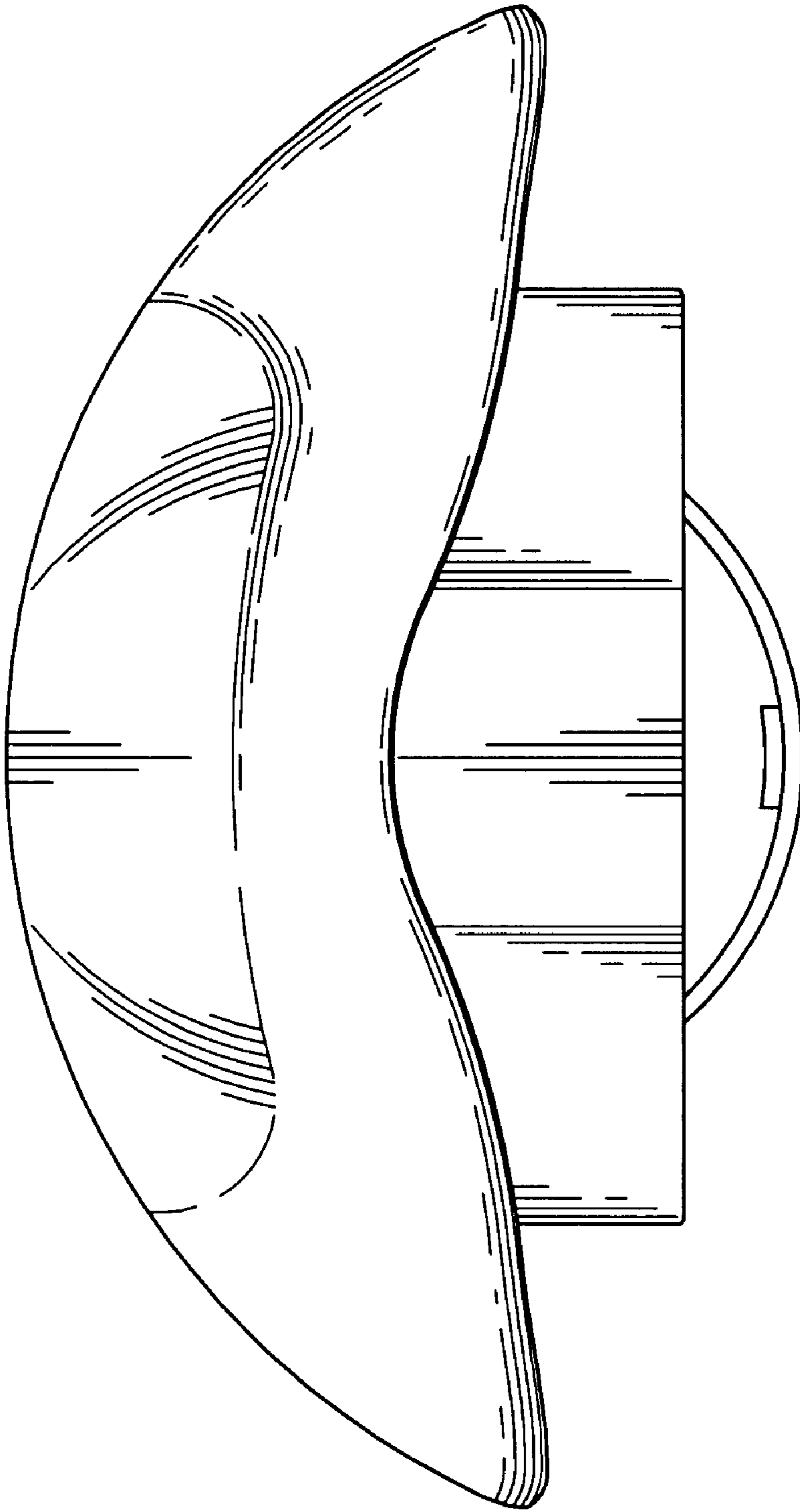


FIG. 2

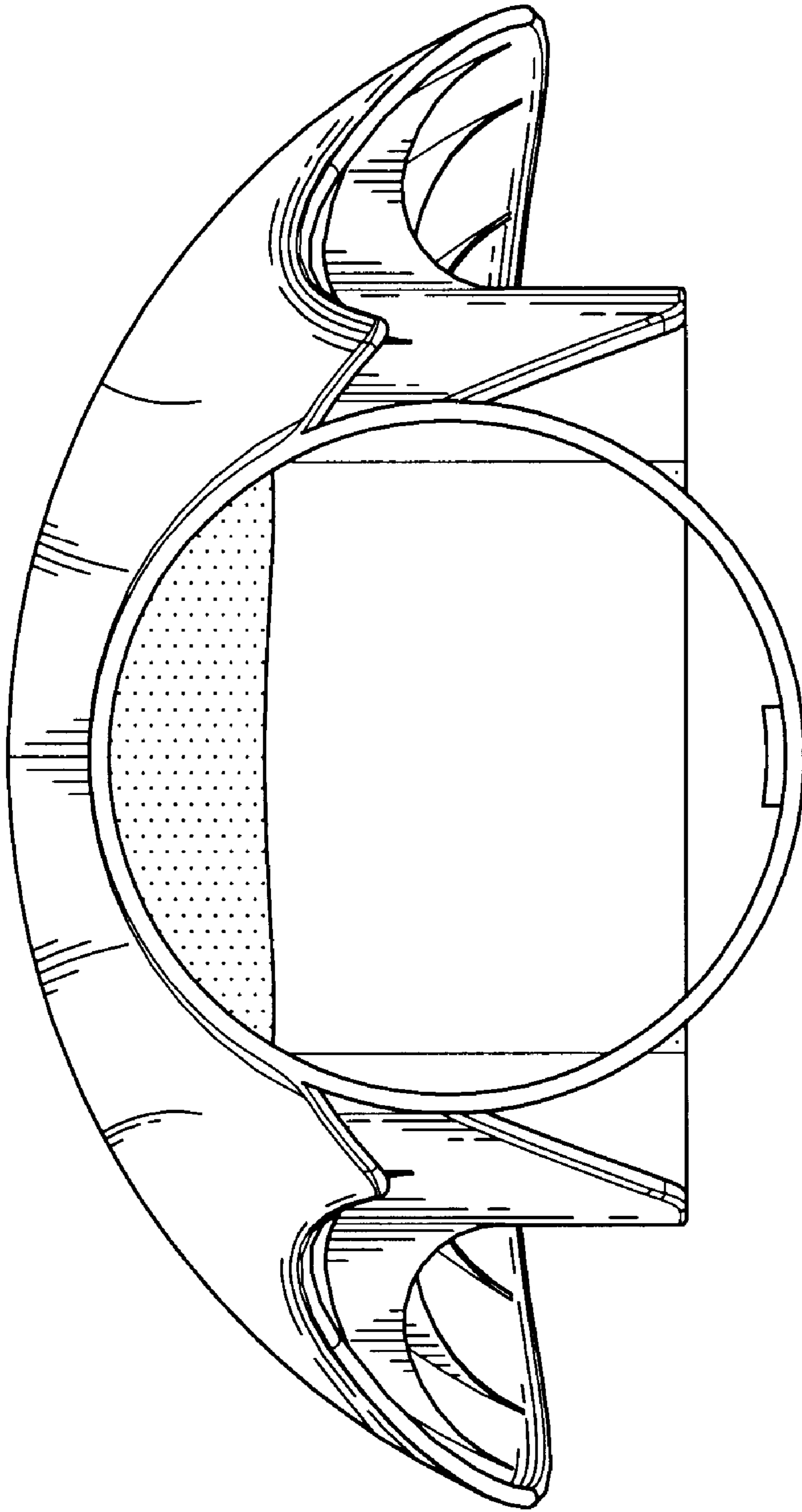


FIG. 3

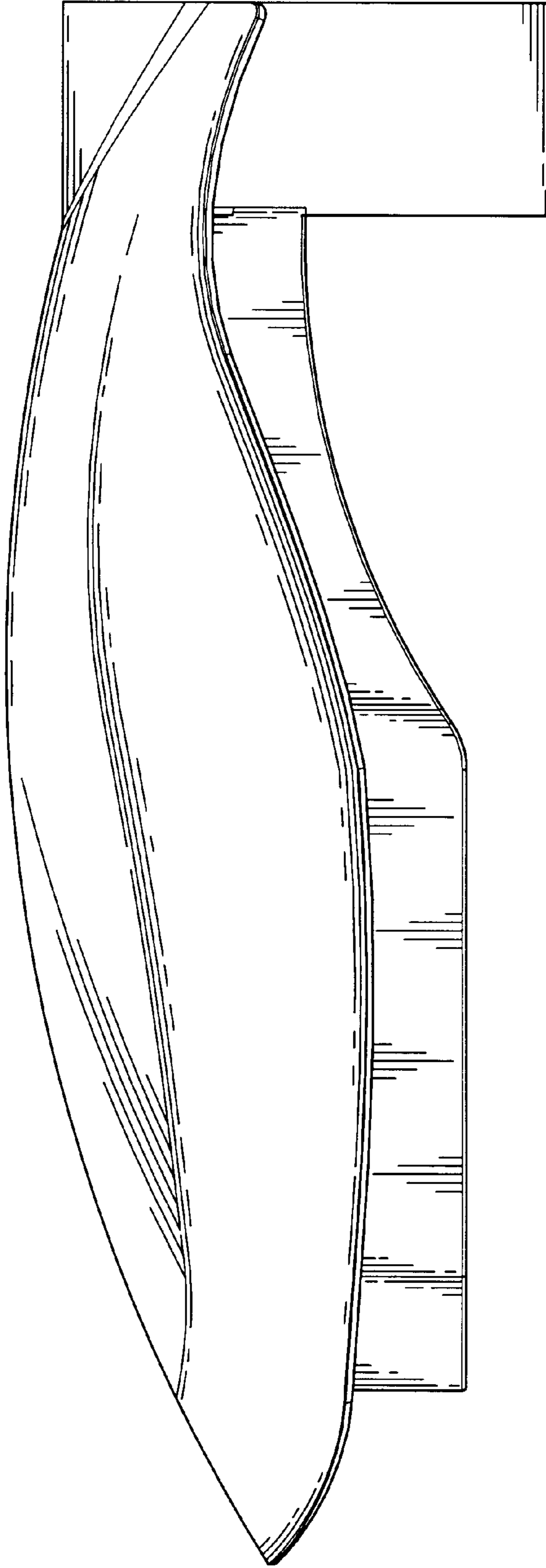


FIG. 4

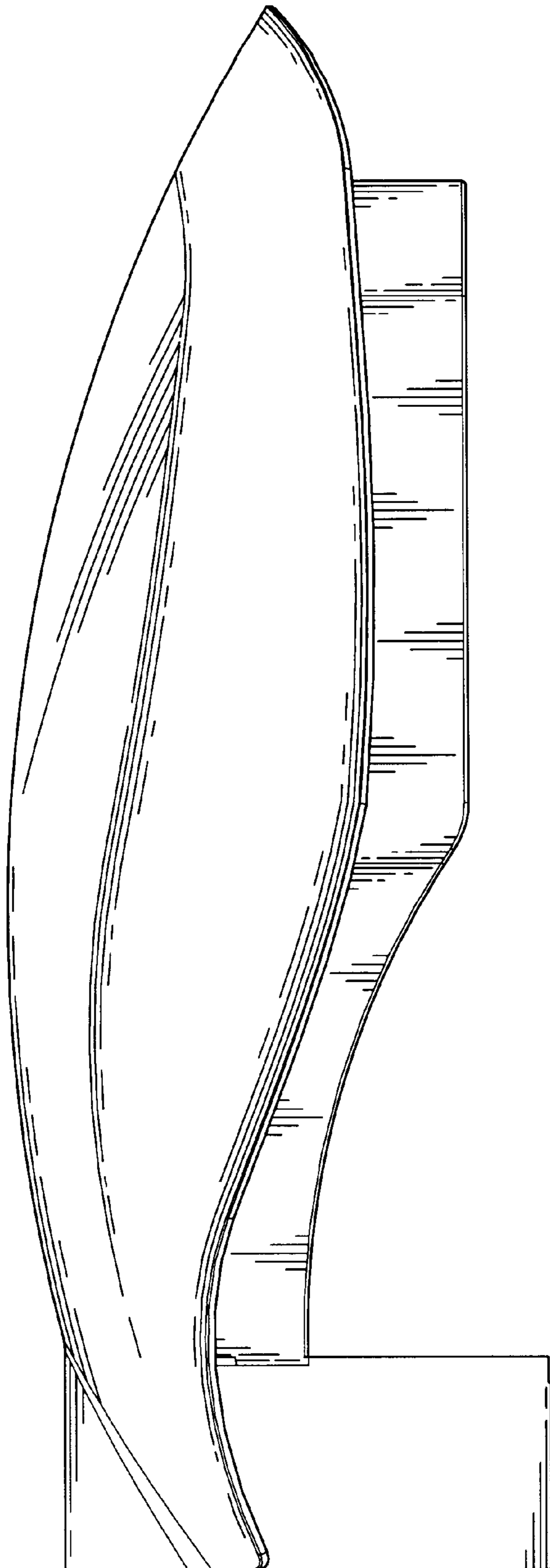


FIG. 5

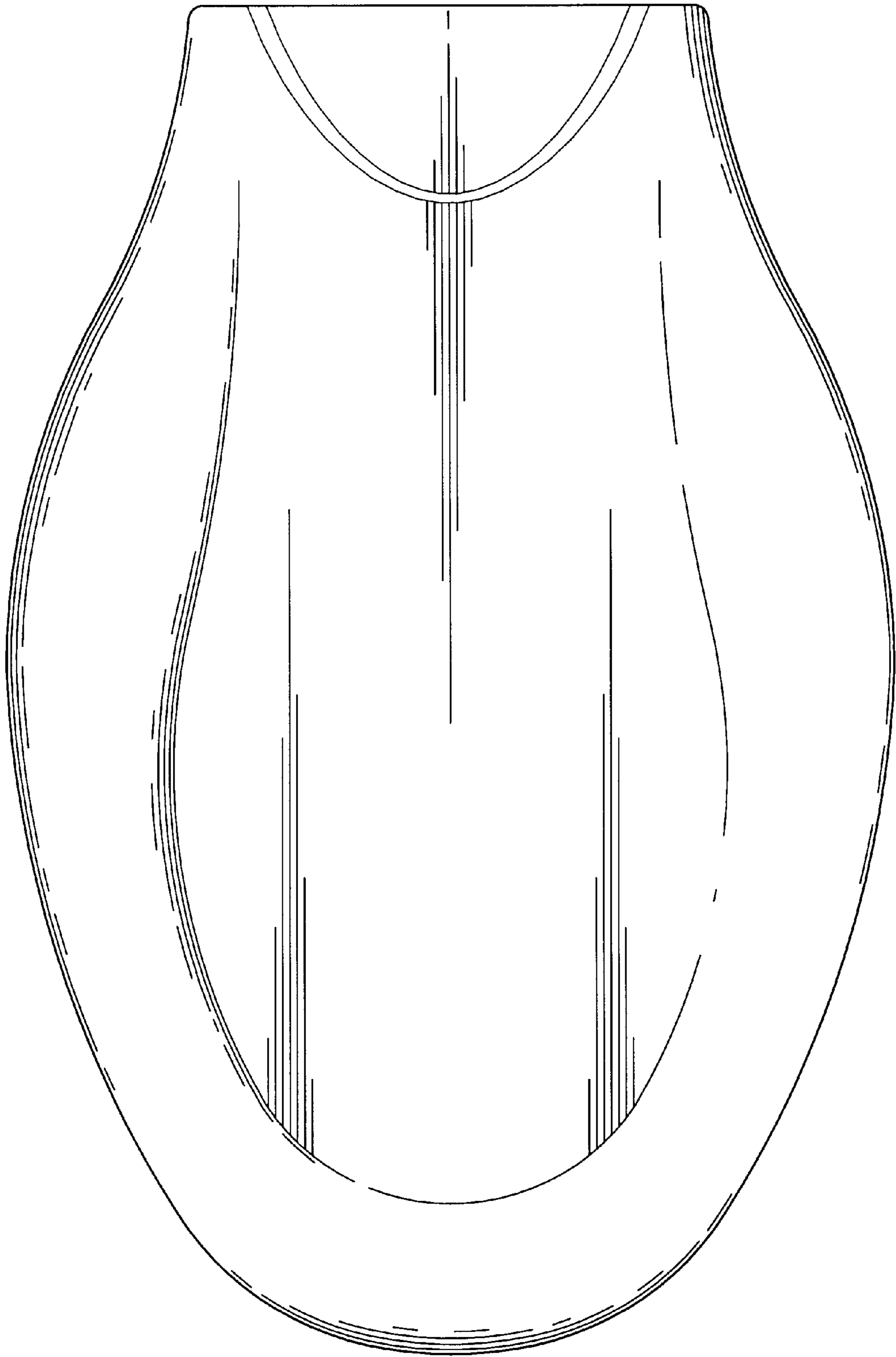


FIG. 6

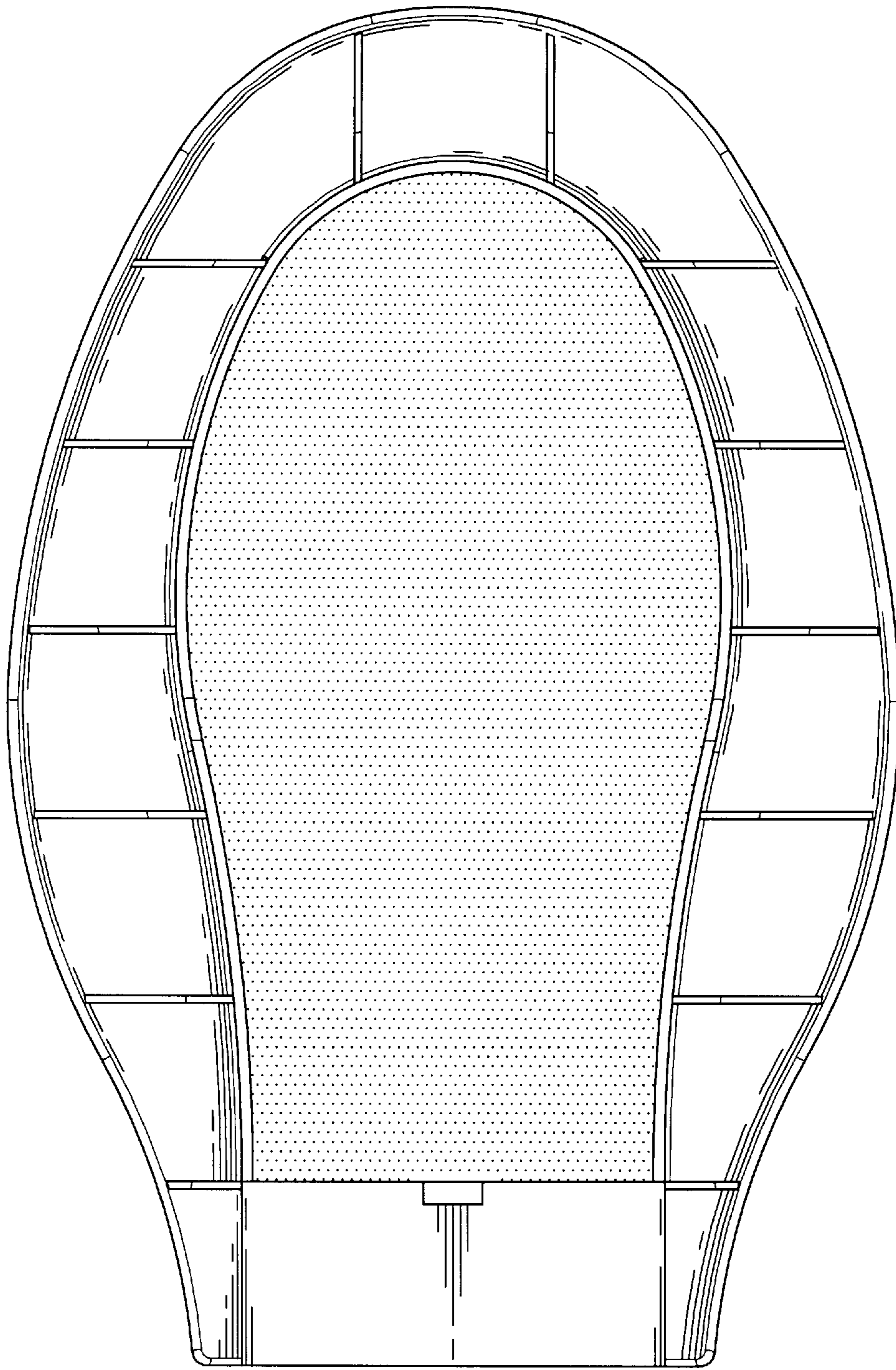


FIG. 7



FIG. 8