



US00D456542S

(12) **United States Design Patent**
Kennedy et al.

(10) **Patent No.:** **US D456,542 S**

(45) **Date of Patent:** **** Apr. 30, 2002**

(54) **CANDLE STAND**

(75) Inventors: **Jennifer L. Kennedy**, Saint Jo;
Kimberly N. Moore, Denton, both of
TX (US)

(73) Assignee: **Lazart Production, Inc.**, Gainesville,
TX (US)

(**) Term: **14 Years**

(21) Appl. No.: **29/138,166**

(22) Filed: **Mar. 5, 2001**

(51) **LOC (7) Cl.** **26-01**

(52) **U.S. Cl.** **D26/23**

(58) **Field of Search** D26/9, 10, 23,
D26/113; D9/455; 431/294; 248/146, 910

(56) **References Cited**

U.S. PATENT DOCUMENTS

D174,228 S * 3/1955 Justus D26/9

D317,104 S * 5/1991 Lyon D9/455

D396,096 S * 7/1998 Corbitt D26/23

D396,119 S * 7/1998 Allison D26/23

* cited by examiner

Primary Examiner—Robin V. Taylor

(57) **CLAIM**

The ornamental design for a candle stand, as shown.

DESCRIPTION

FIG. 1 is a perspective view of the ornamental design of the candle stand showing our new design. The broken lines show the environment and do not form a part of the design of the claimed invention.

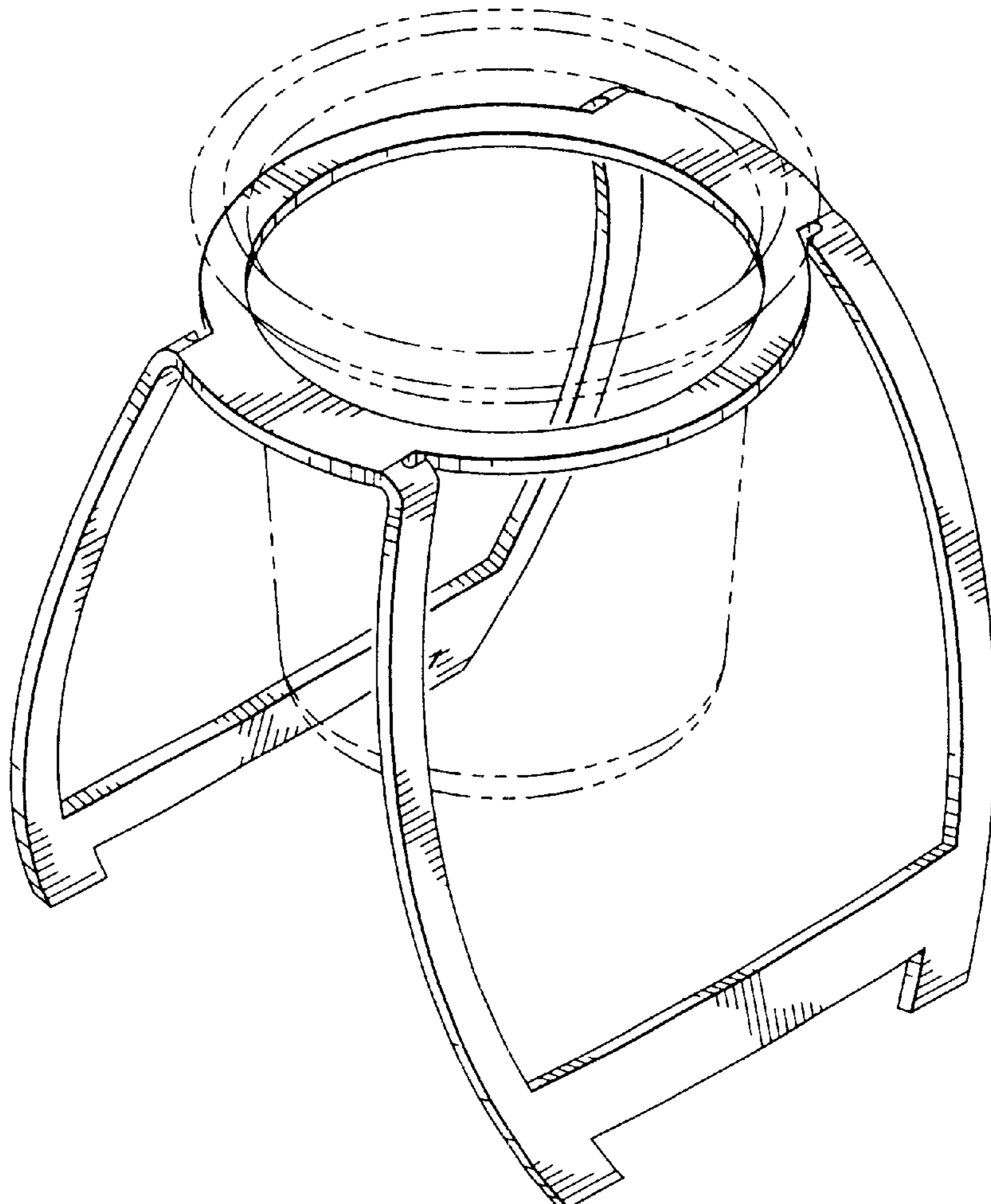
FIG. 2 is a side view of the candle stand, the opposite side thereof being identical thereto;

FIG. 3 is an end view of the candle stand, the opposite end thereof being identical thereto;

FIG. 4 is a top view of the candle stand; and,

FIG. 5 is a bottom view of the candle stand.

1 Claim, 3 Drawing Sheets



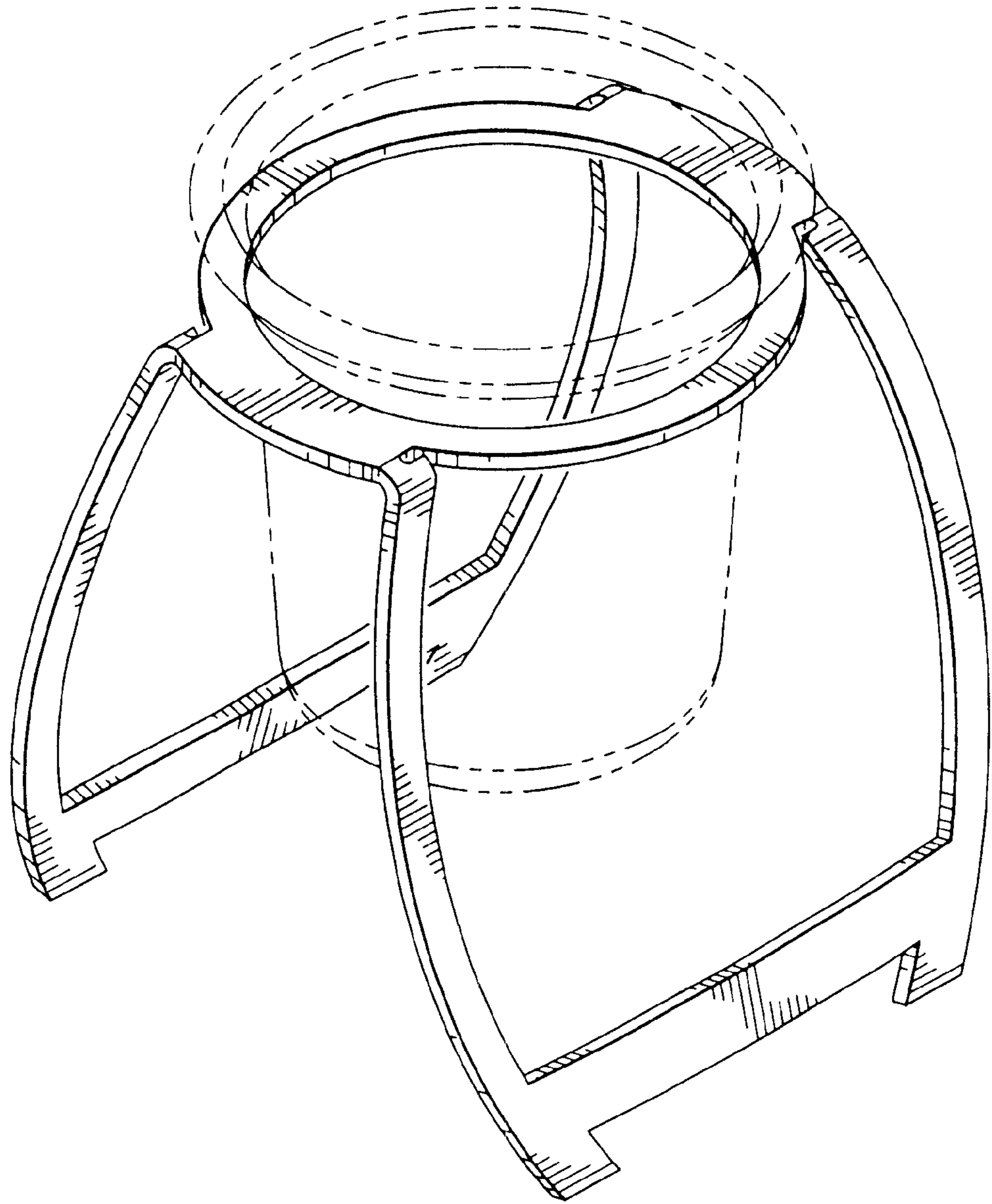


FIG. 1

FIG. 2

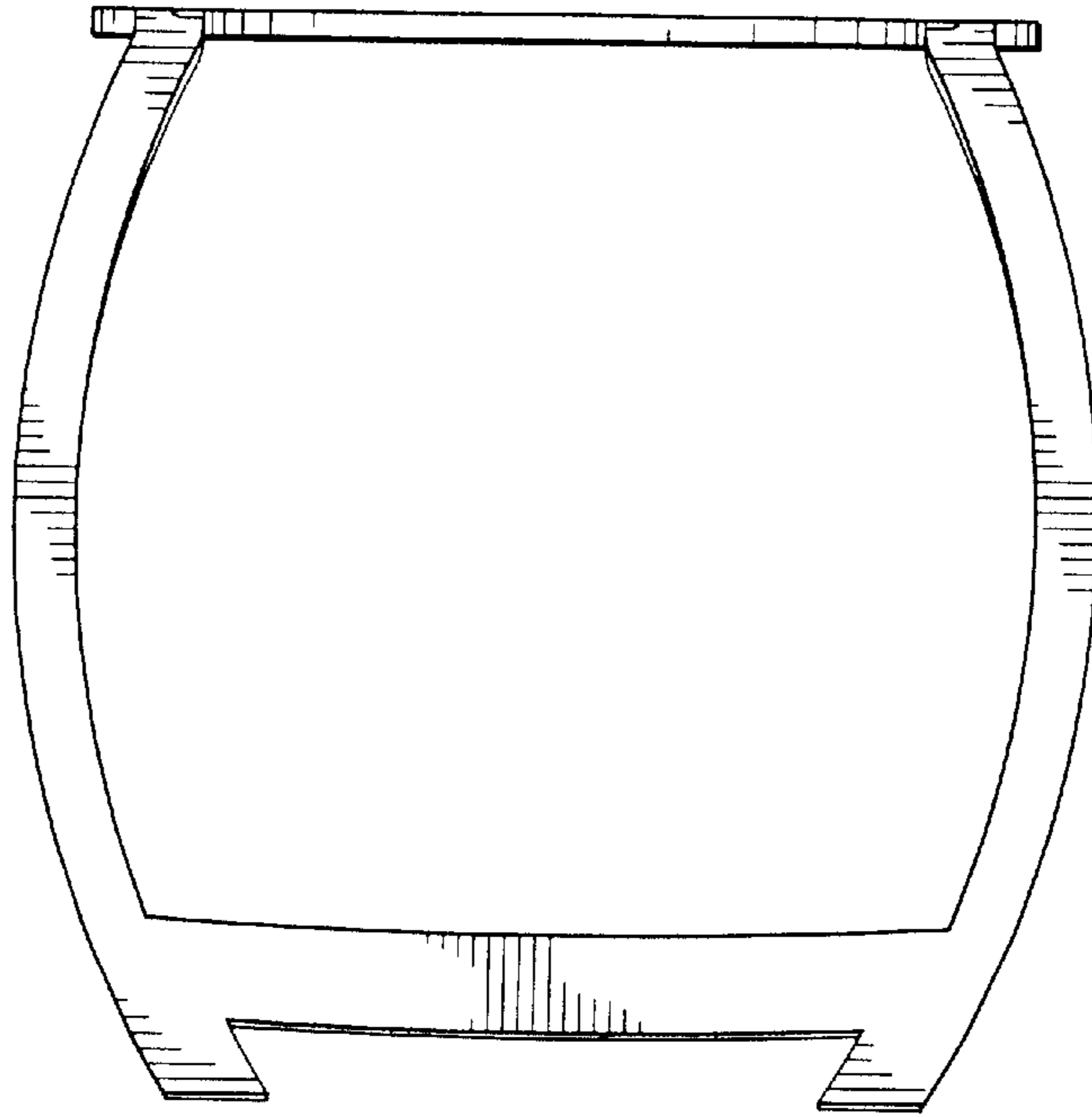
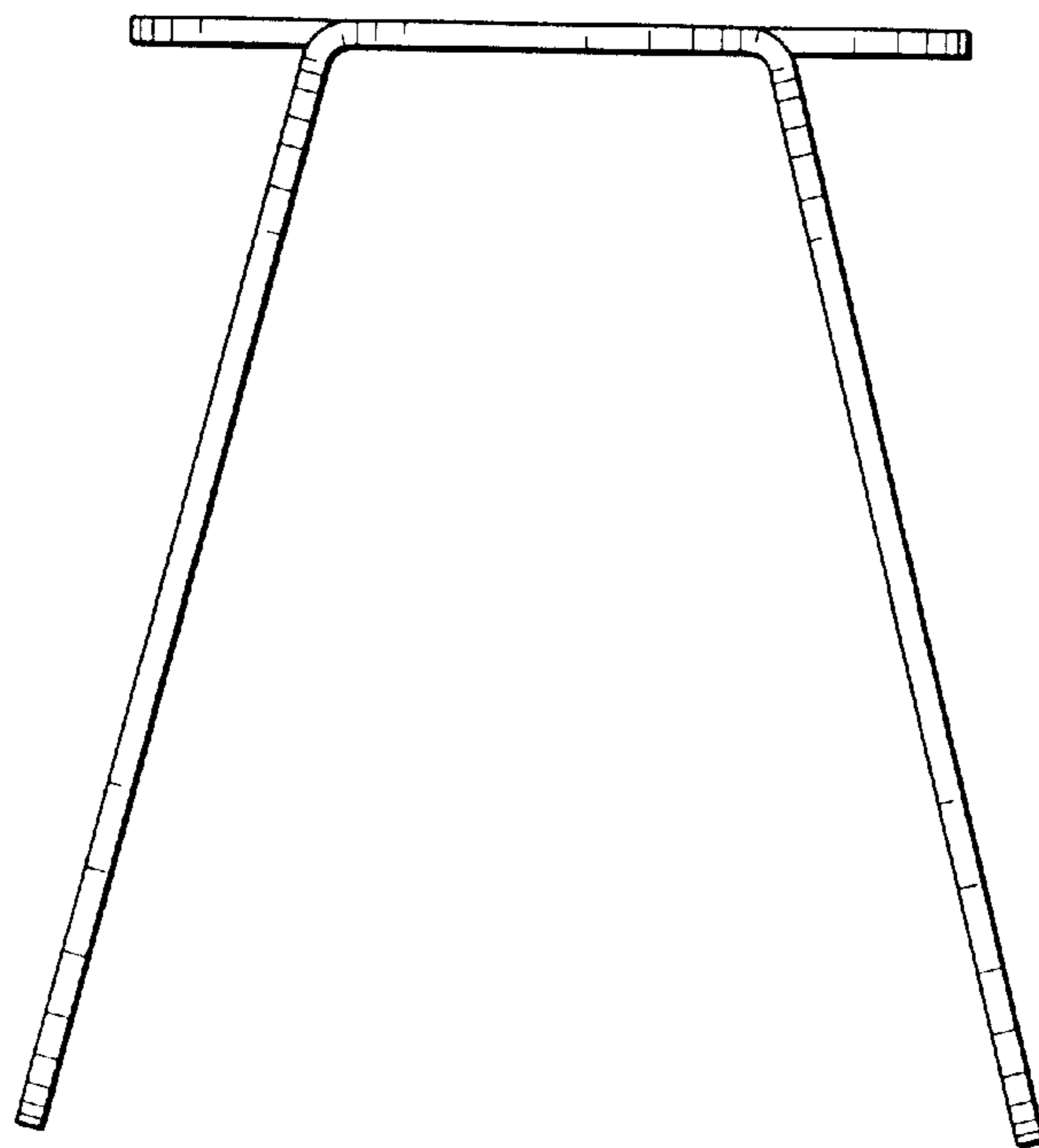


FIG. 3



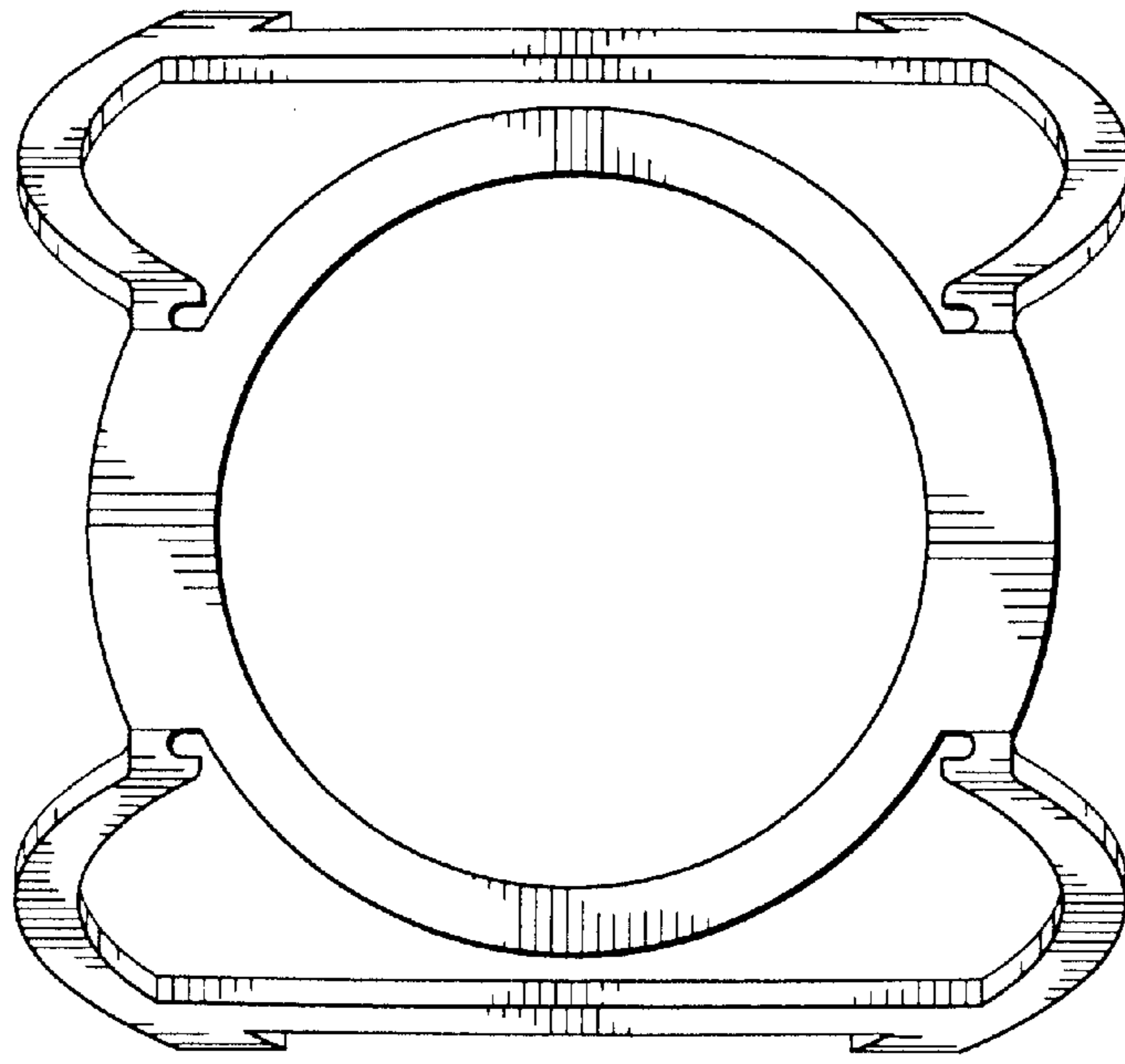


FIG. 4

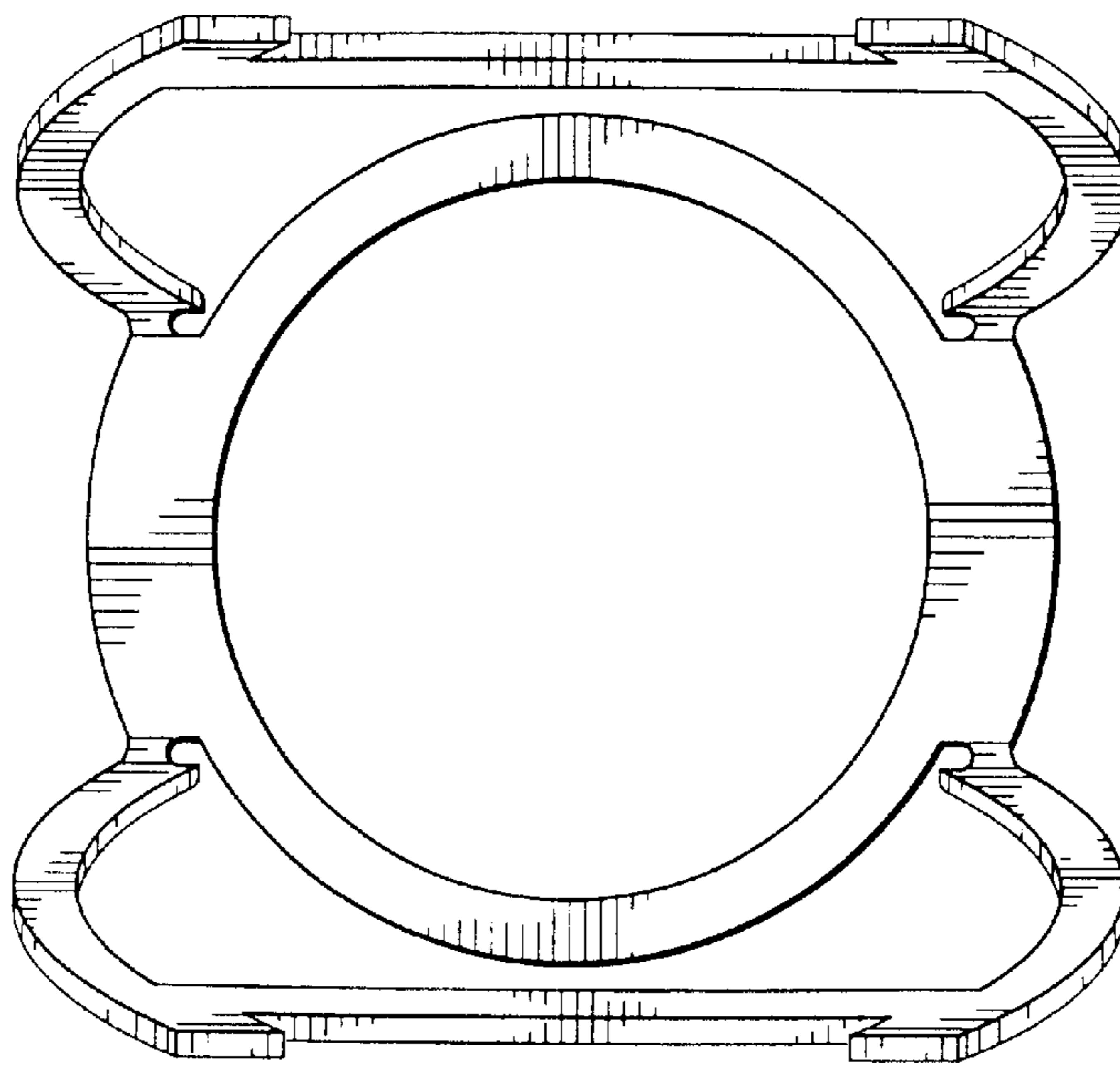


FIG. 5