



US00D456541S

(12) **United States Design Patent**
Yeh

(10) **Patent No.:** **US D456,541 S**

(45) **Date of Patent:** **** Apr. 30, 2002**

(54) **TORCH**

5,938,430 A * 8/1999 Majerowski 431/320
D428,666 S * 7/2000 Chandaria D26/114

(76) Inventor: **Jui-Ju Yeh**, 14th Fl., No. 223, Sec. 5,
Nanking E. Rd., Taipei (TW)

* cited by examiner

(**) Term: **14 Years**

Primary Examiner—Robin V. Taylor
(74) *Attorney, Agent, or Firm*—William E. Pelton, Esq.

(21) Appl. No.: **29/141,361**

(57) **CLAIM**

(22) Filed: **May 4, 2001**

The ornamental design for a torch, as shown.

(51) **LOC (7) Cl.** **26-02**

DESCRIPTION

(52) **U.S. Cl.** **D26/8**

(58) **Field of Search** D26/8, 114, 116;
431/343, 320, 350, 298, 146; 362/161-163

FIG. 1 is a perspective view of a torch, showing my new design;

FIG. 2 is a front view thereof;

FIG. 3 is a rear view thereof;

FIG. 4 is a left side view thereof;

FIG. 5 is a right side view thereof;

FIG. 6 is a top plan view thereof; and,

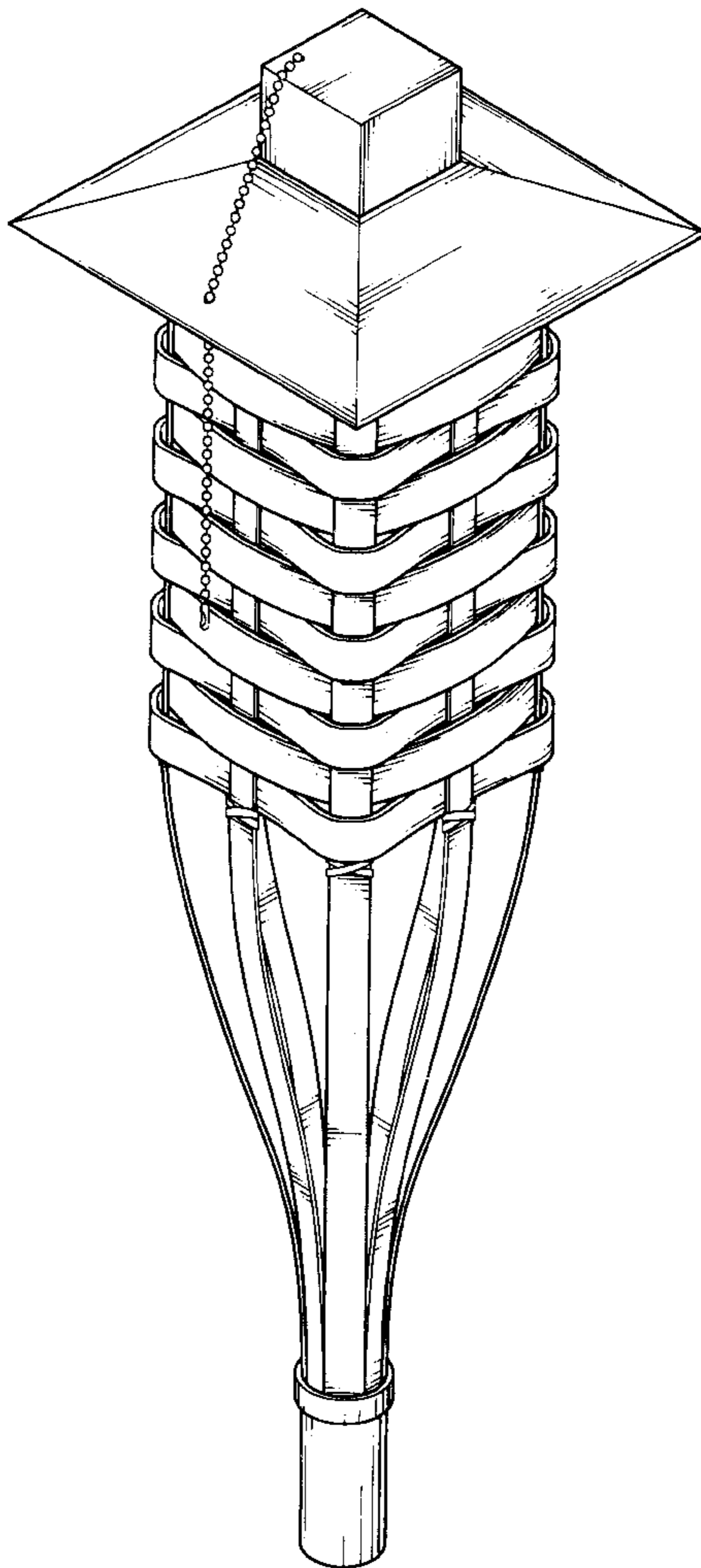
FIG. 7 is a bottom plan view thereof.

(56) **References Cited**

U.S. PATENT DOCUMENTS

D11,616 S * 1/1880 Adams D26/8
D15,206 S * 8/1884 Goodwin D26/8
3,364,704 A * 1/1968 Bernstein D26/8
4,477,247 A * 10/1984 Kumasaka 431/146

1 Claim, 4 Drawing Sheets



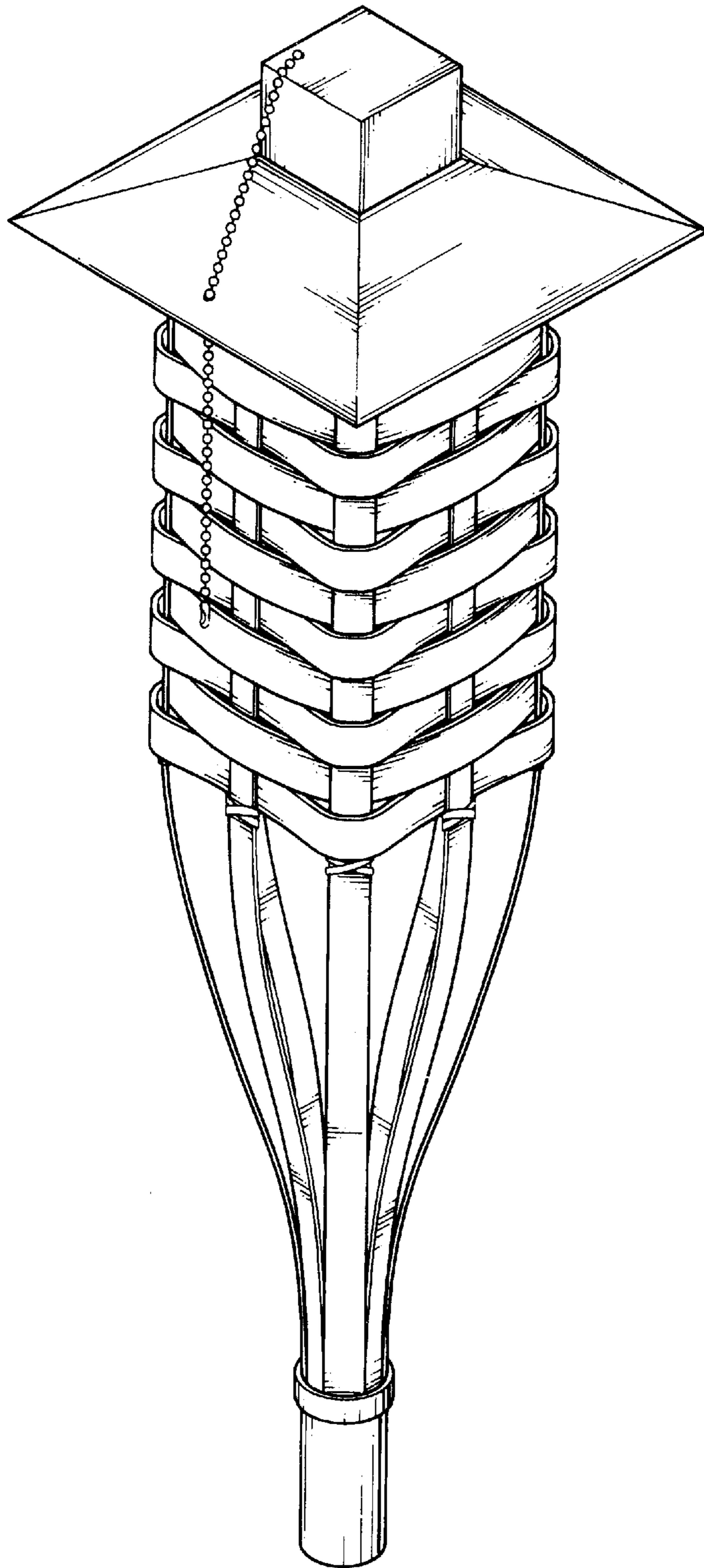


FIG. 1

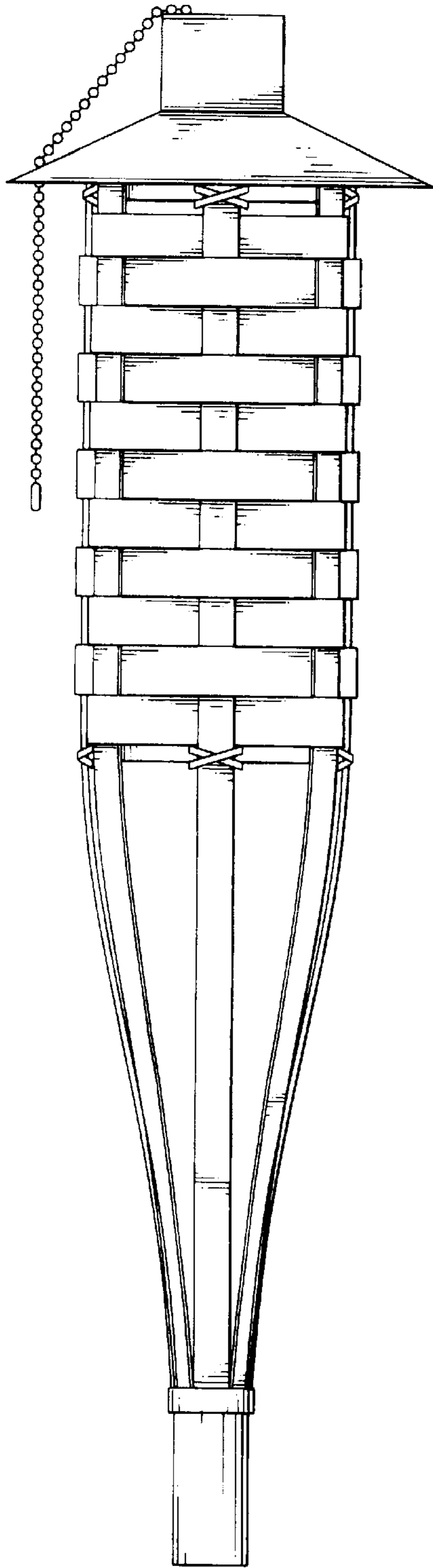


FIG. 2

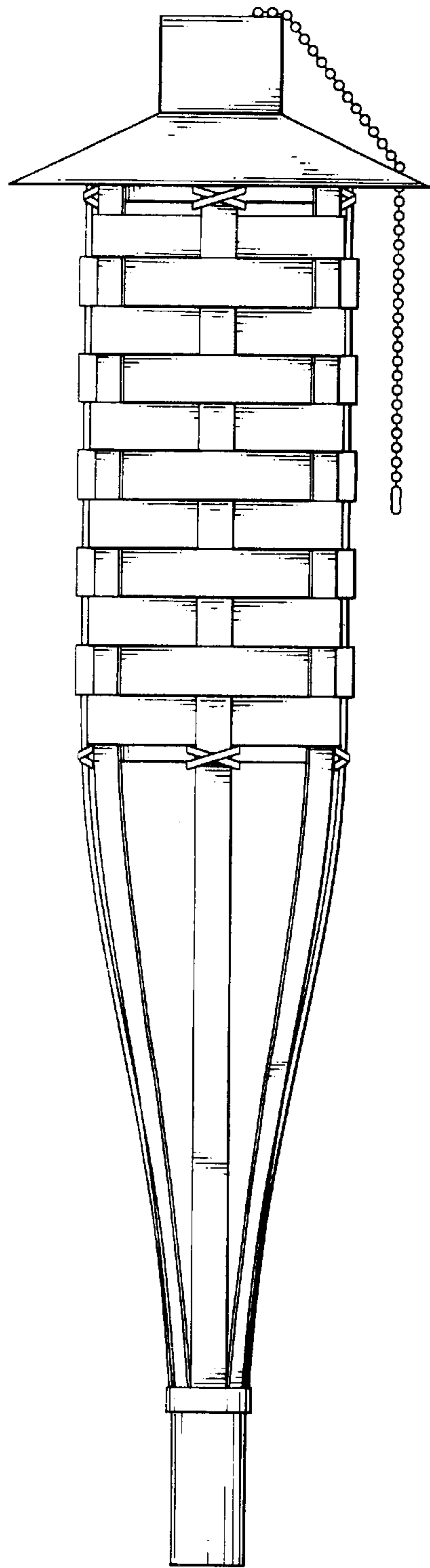


FIG. 3

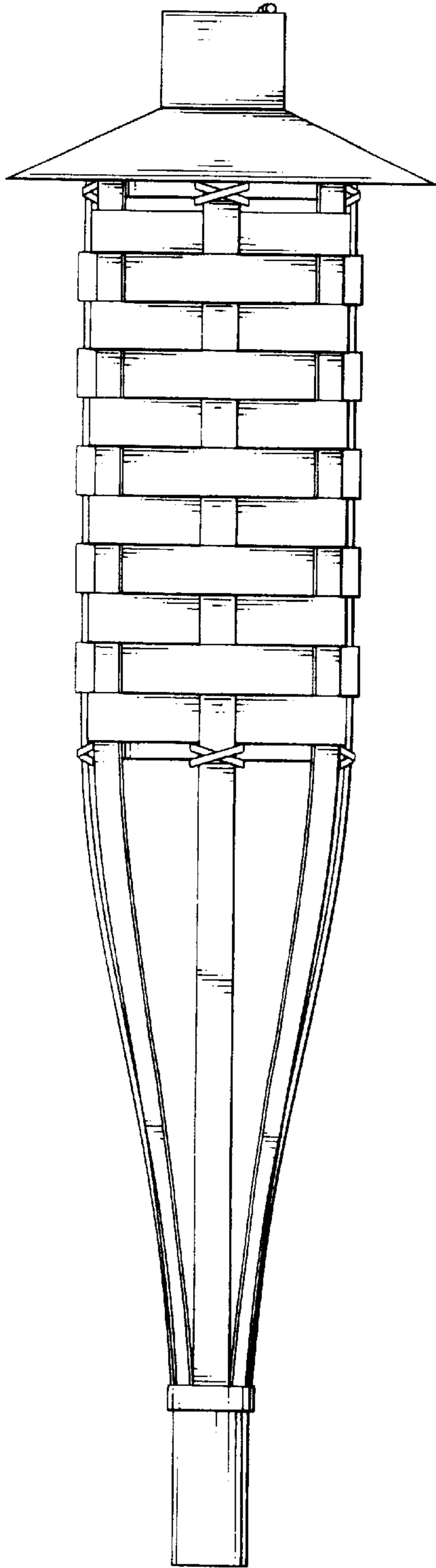


FIG. 5

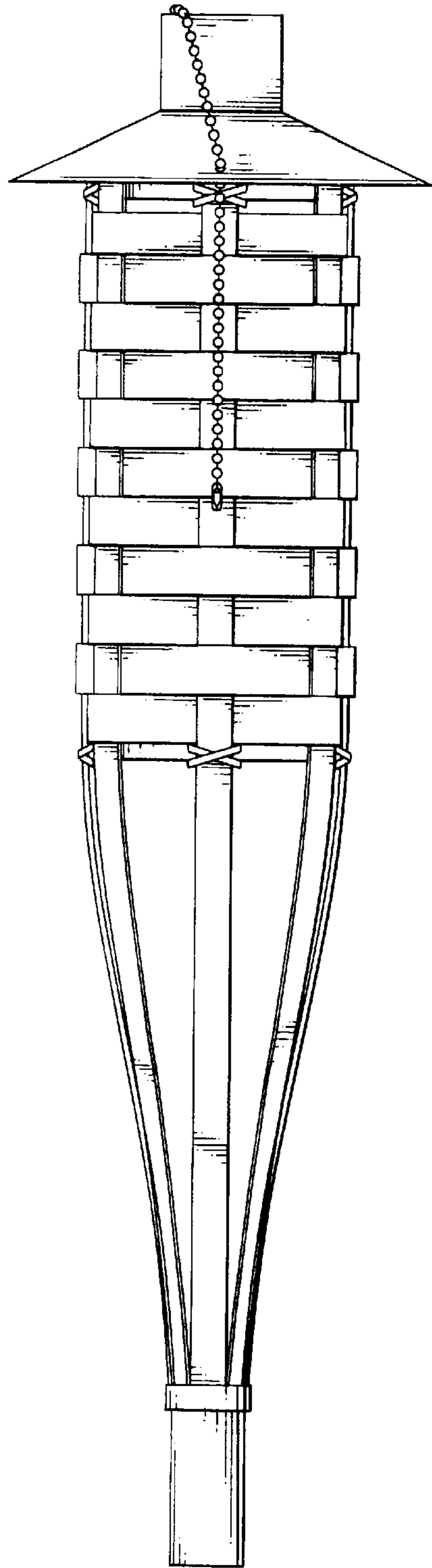


FIG. 4

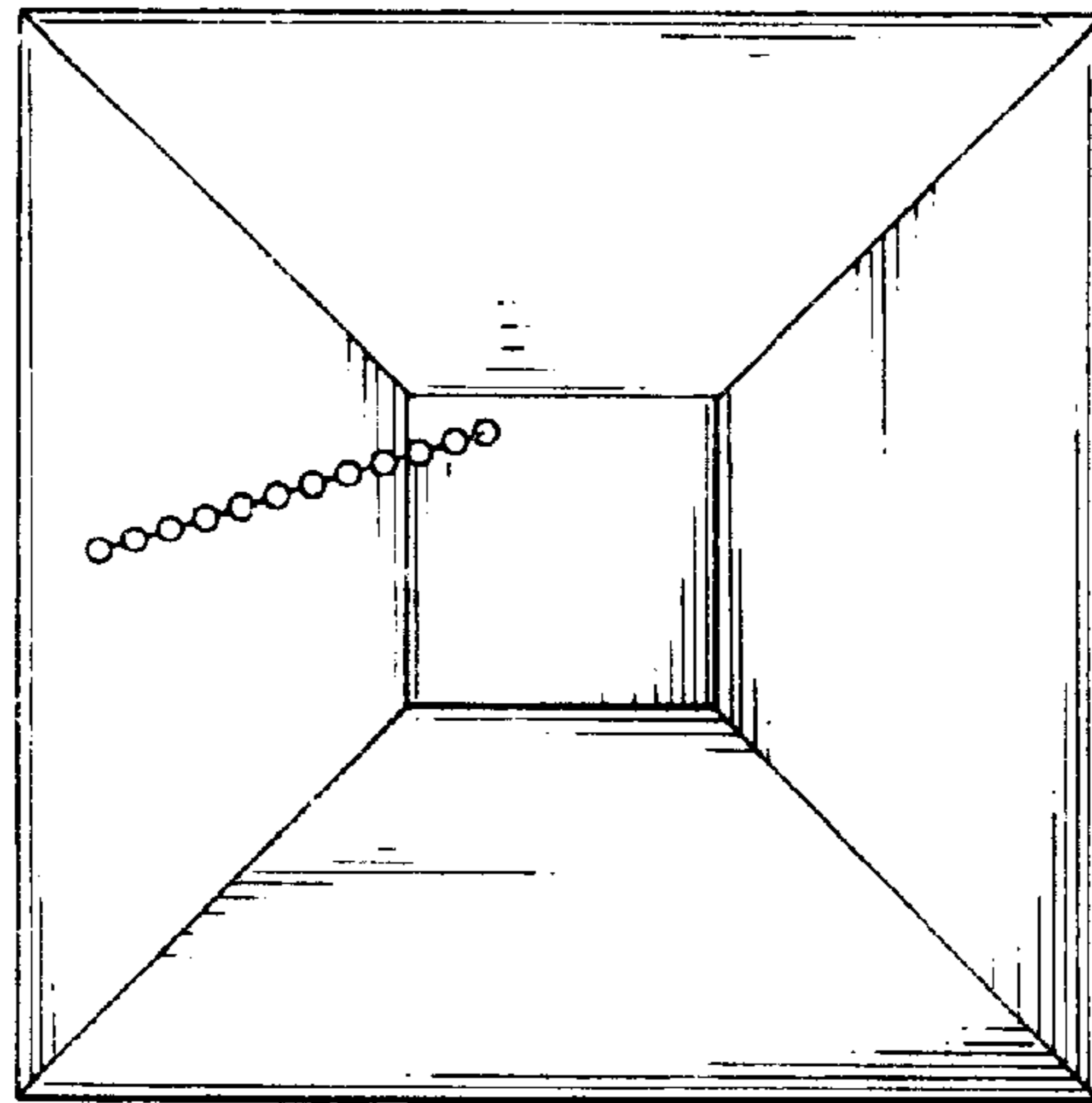


FIG. 6

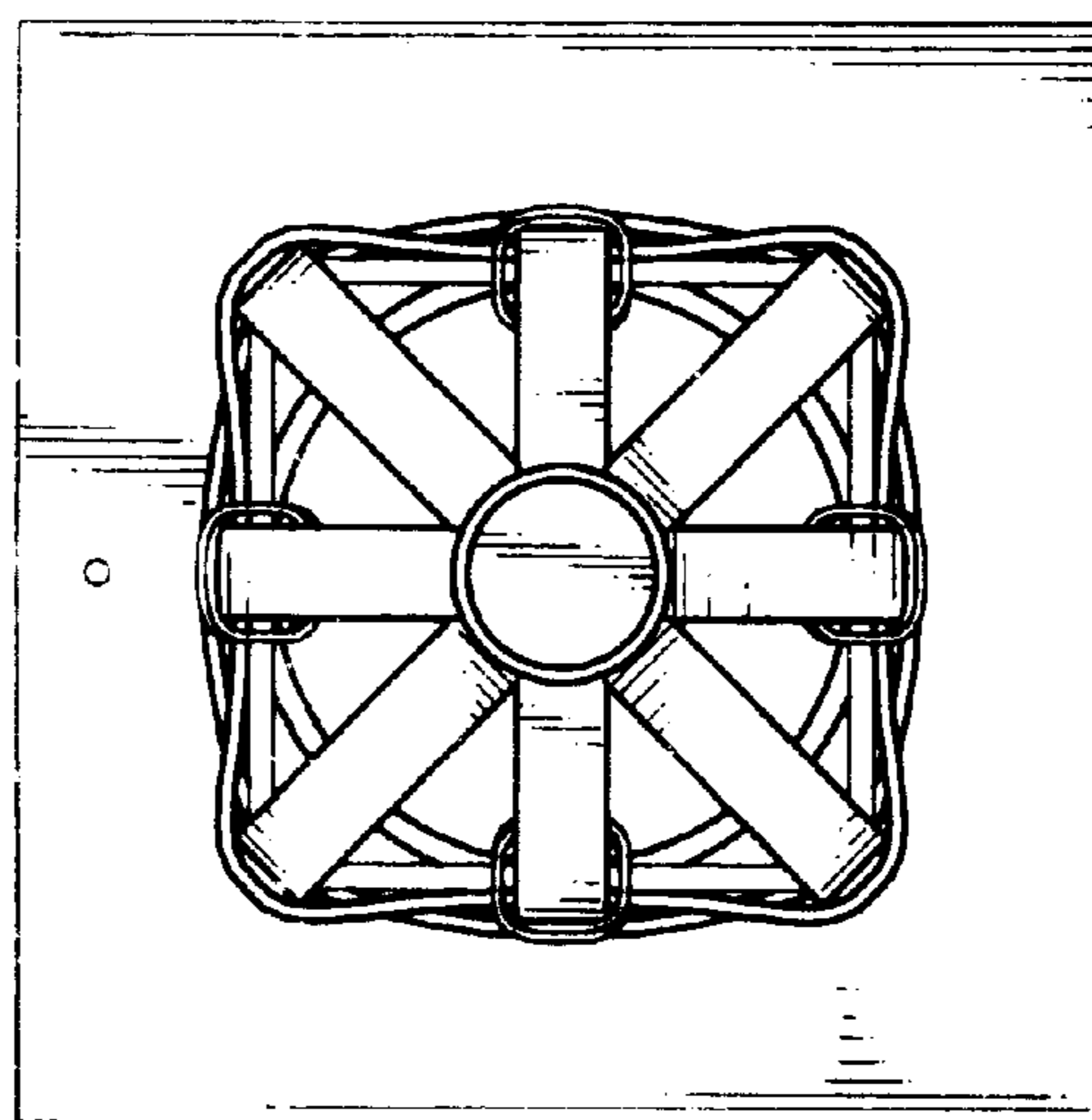


FIG. 7