



US00D456534S

(12) **United States Design Patent**
Iida et al.

(10) **Patent No.:** **US D456,534 S**

(45) **Date of Patent:** **** Apr. 30, 2002**

(54) **LIGHT EMITTING DEVICE**

(75) Inventors: **Seiji Iida**, Yokohama; **Naohiro Shimada**, Yokosuka; **Kazuo Fukuoka**, Yokohama; **Koichi Genei**, Ichikawa; **Satoshi Komoto**, Tokyo, all of (JP)

(73) Assignee: **Kabushiki Kaisha Toshiba**, Tokyo (JP)

(**) Term: **14 Years**

(21) Appl. No.: **29/148,029**

(22) Filed: **Sep. 14, 2001**

(30) **Foreign Application Priority Data**

Mar. 15, 2001 (JP) 2001-006792

(51) **LOC (7) Cl.** **26-06**

(52) **U.S. Cl.** **D26/2**

(58) **Field of Search** D26/1, 2, 3, 4;
362/326, 334, 335, 337, 351, 358; 313/113,
128, 129, 130, 131, 315, 318

(56) **References Cited**

U.S. PATENT DOCUMENTS

| | | | | | |
|------------|---|---------|--------------|-------|-------|
| D302,863 S | * | 8/1989 | Krol | | D26/2 |
| D325,994 S | * | 5/1992 | Hume et al. | | D26/2 |
| D336,963 S | * | 6/1993 | Tevin et al. | | D26/2 |
| D363,358 S | * | 10/1995 | Wang | | D26/2 |

FOREIGN PATENT DOCUMENTS

JP 1103871 3/2001

OTHER PUBLICATIONS

Nikkei Business Daily, dated Feb. 4, 1999.
Nikkei Business Daily, dated Dec. 10, 1999.
Denpa Shinbun, Dated Sep. 29, 1999.
Denpa Shinbun, dated Sep. 3, 1999.

* cited by examiner

Primary Examiner—Marcus A. Jackson

(74) *Attorney, Agent, or Firm*—Banner & Witcoff, Ltd.

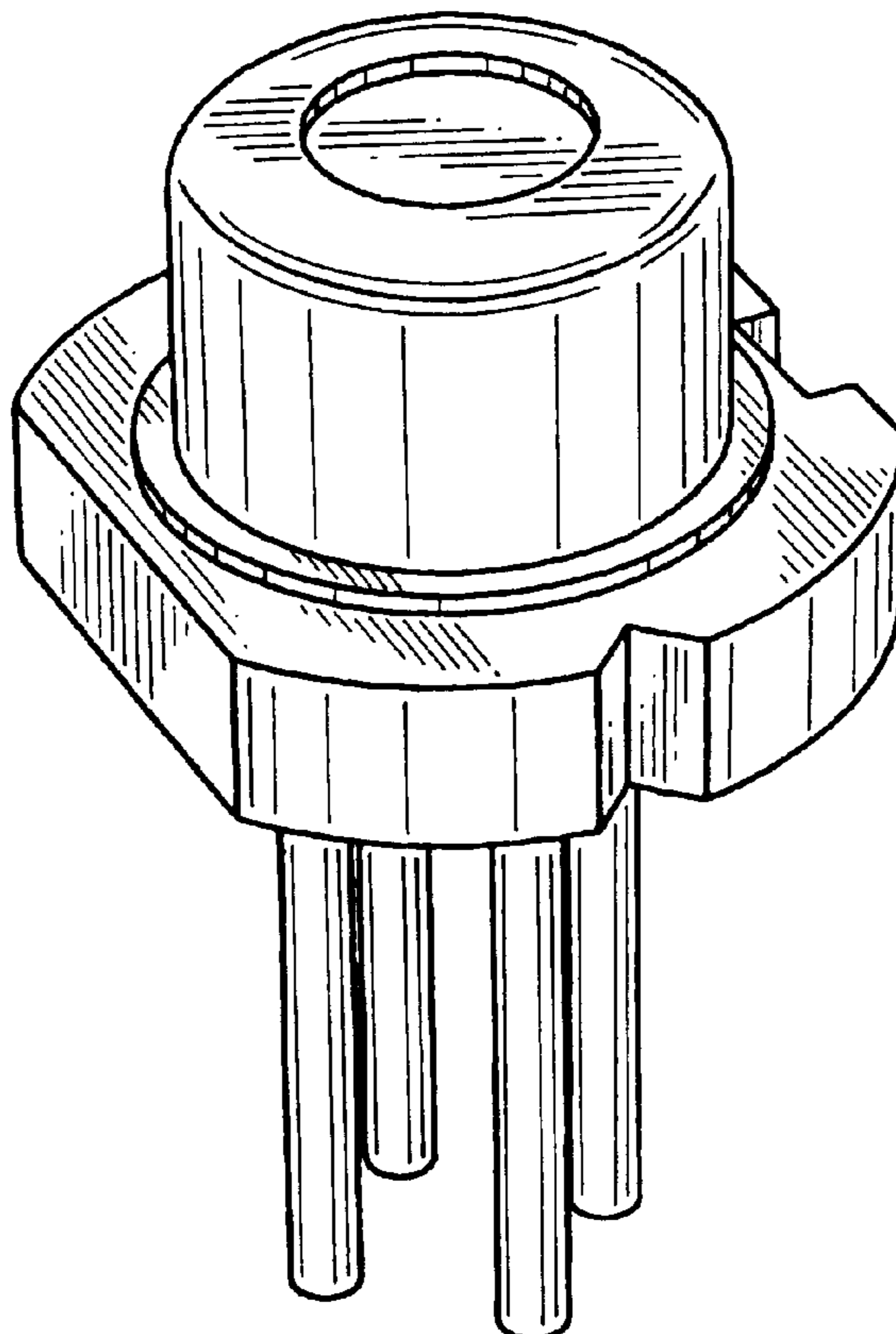
(57) **CLAIM**

The ornamental design for a light emitting device, as shown and described.

DESCRIPTION

FIG. 1 is a front, top and right side perspective view of a light emitting device, showing our new design;
FIG. 2 is a top plan view thereof;
FIG. 3 is a right side elevational view thereof: the opposite side being a mirror image thereof;
FIG. 4 is a front elevational view thereof;
FIG. 5 is a rear elevational view thereof; and,
FIG. 6 is a bottom plan view thereof.

1 Claim, 2 Drawing Sheets



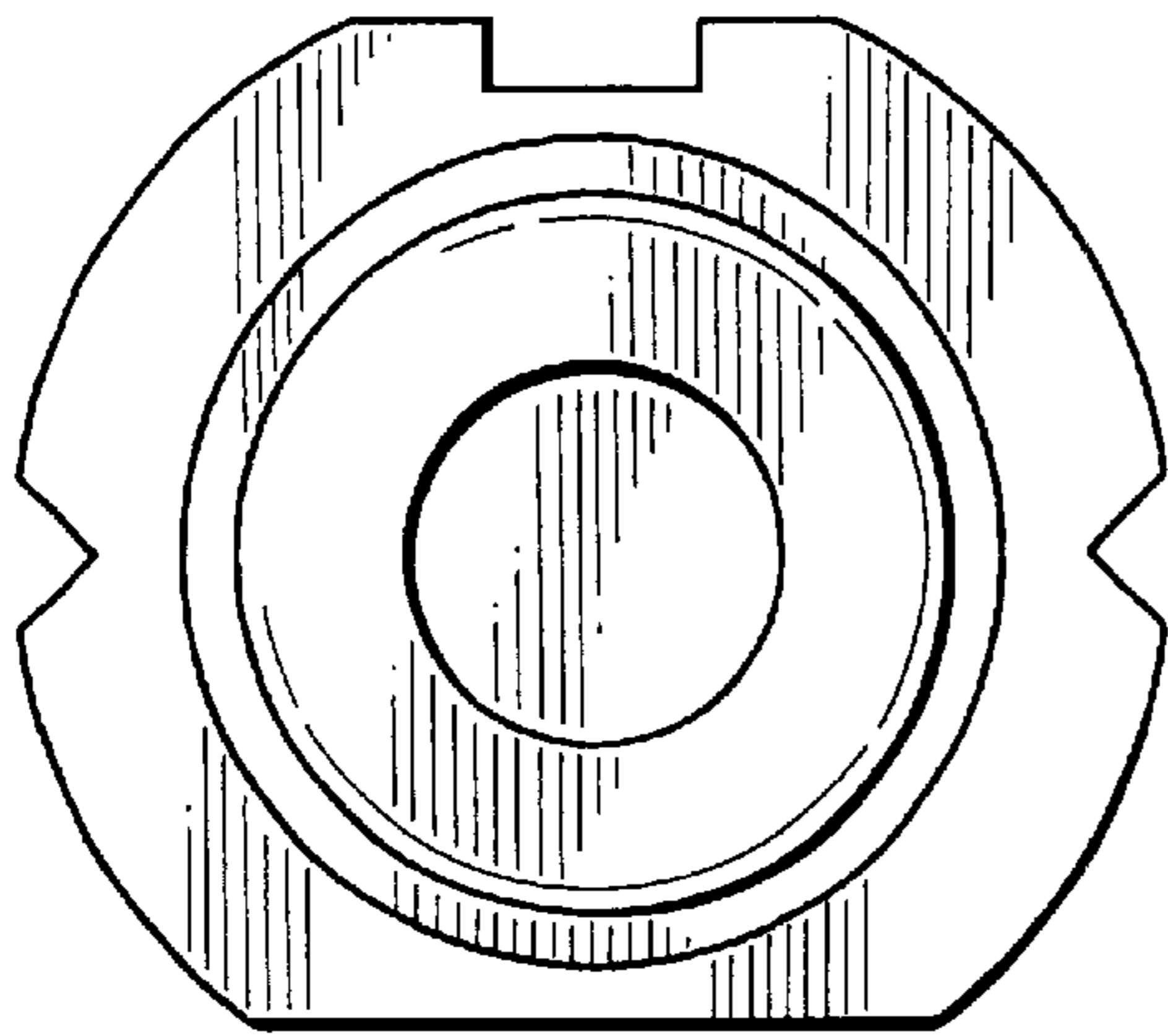


Fig. 2

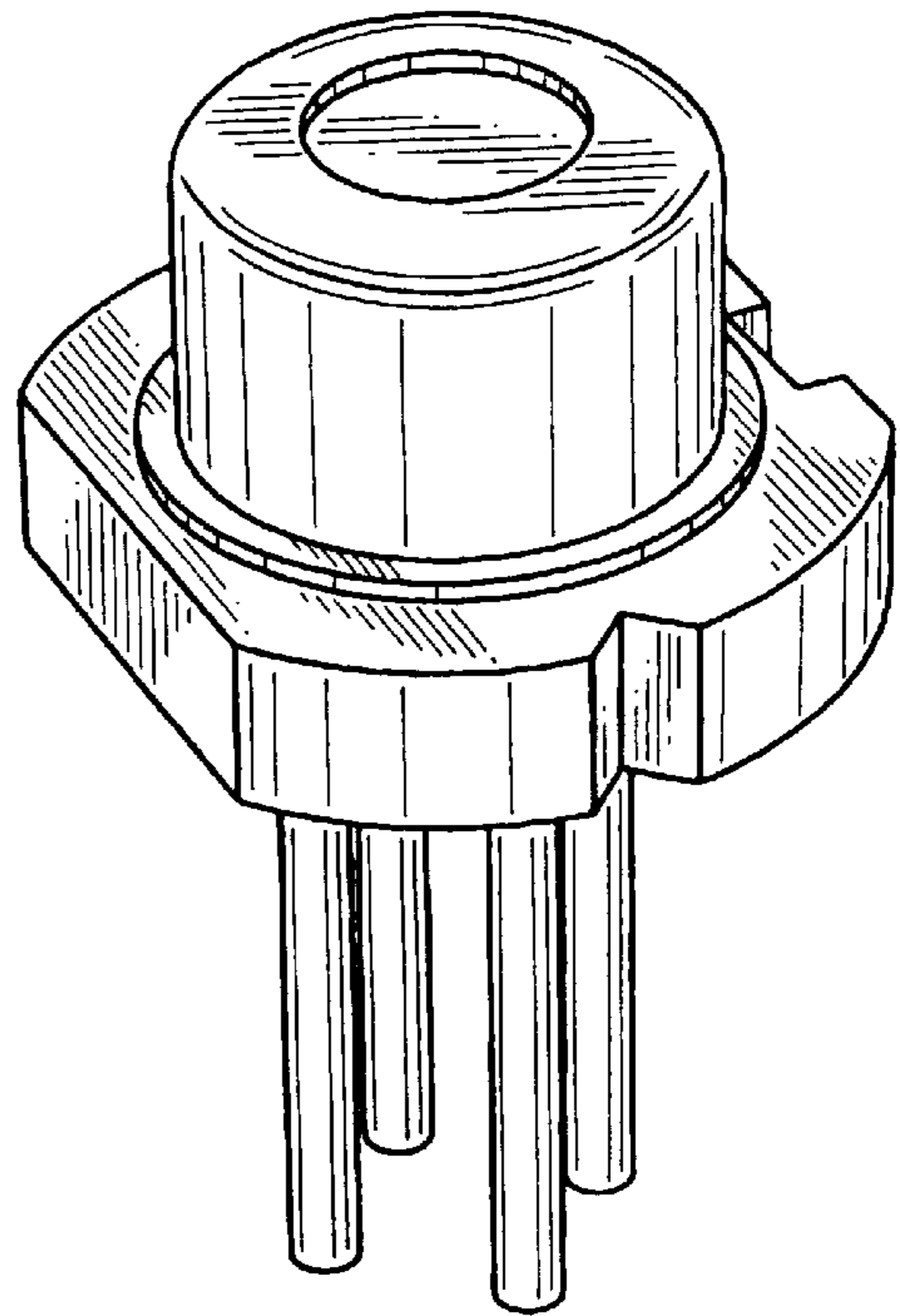


Fig. 1

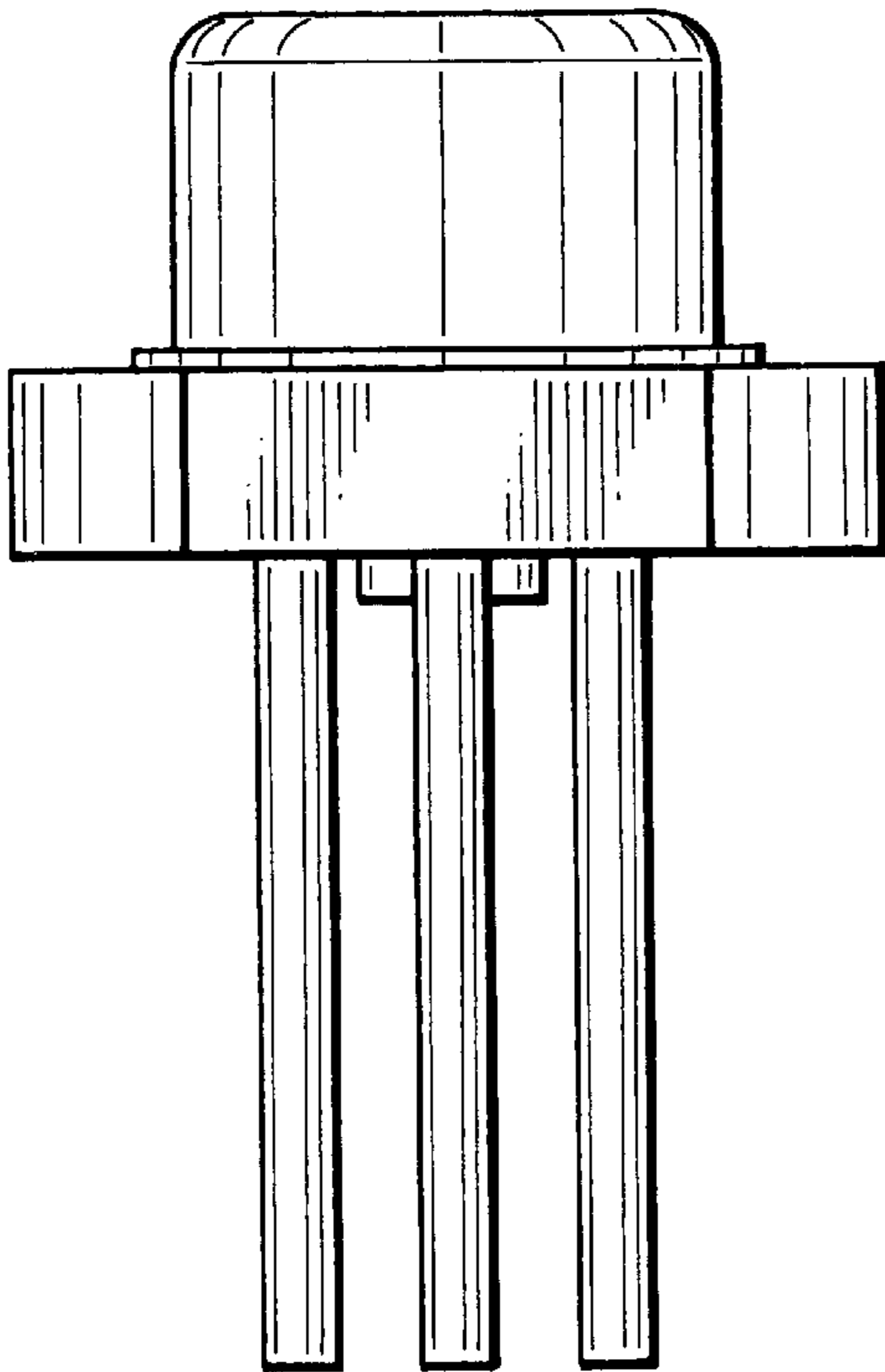


Fig. 4

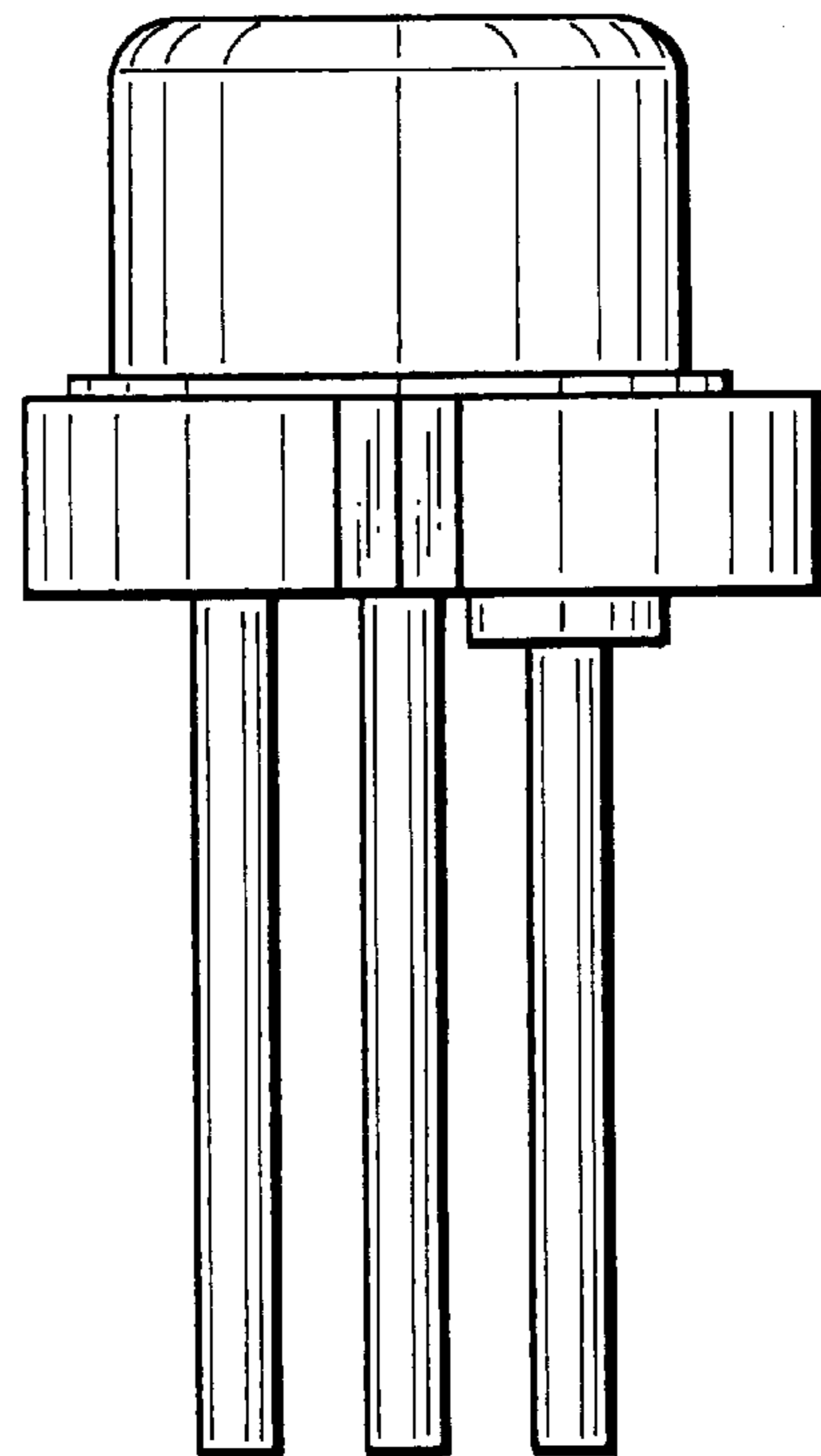


Fig. 3

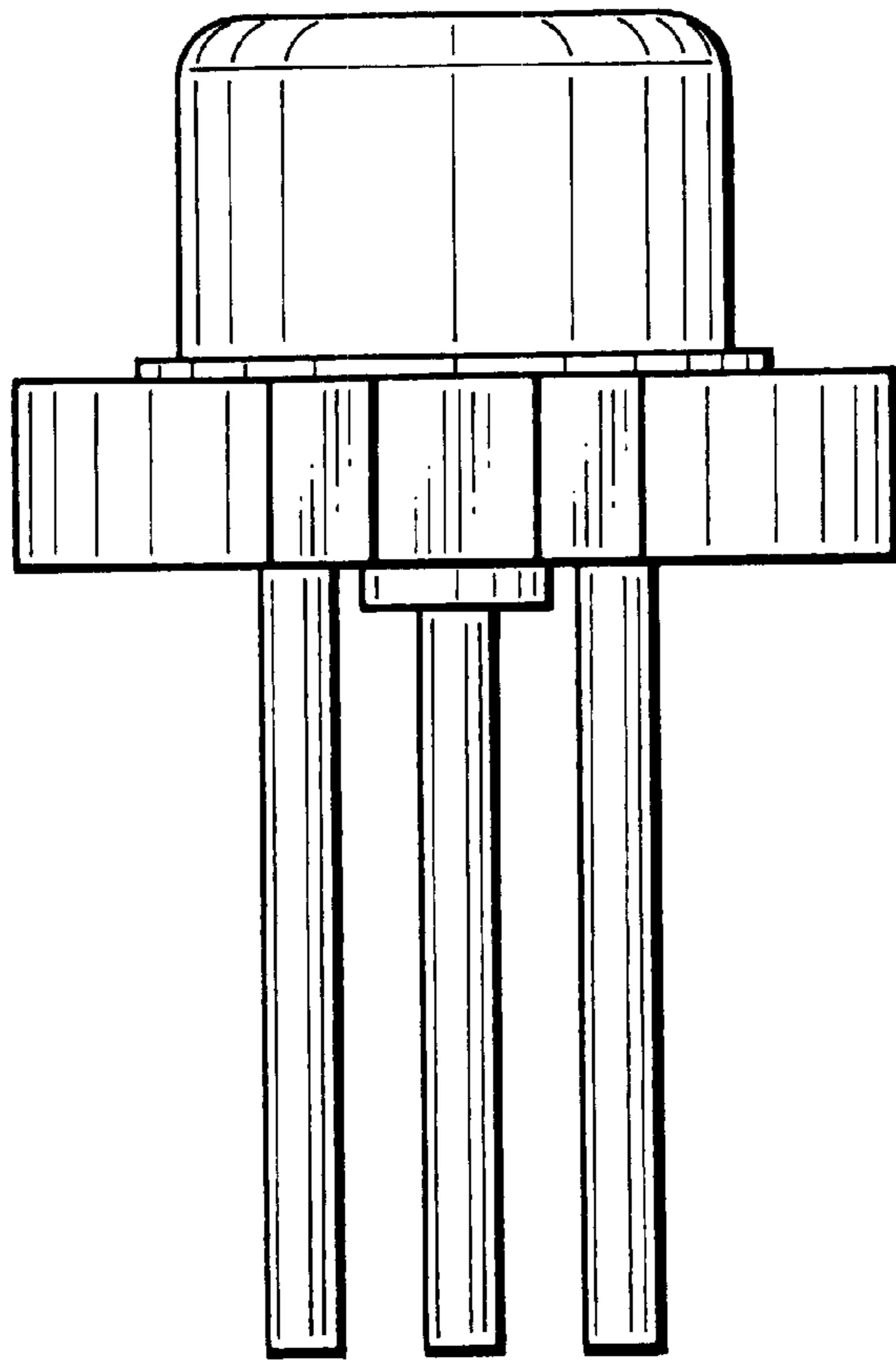


Fig. 5

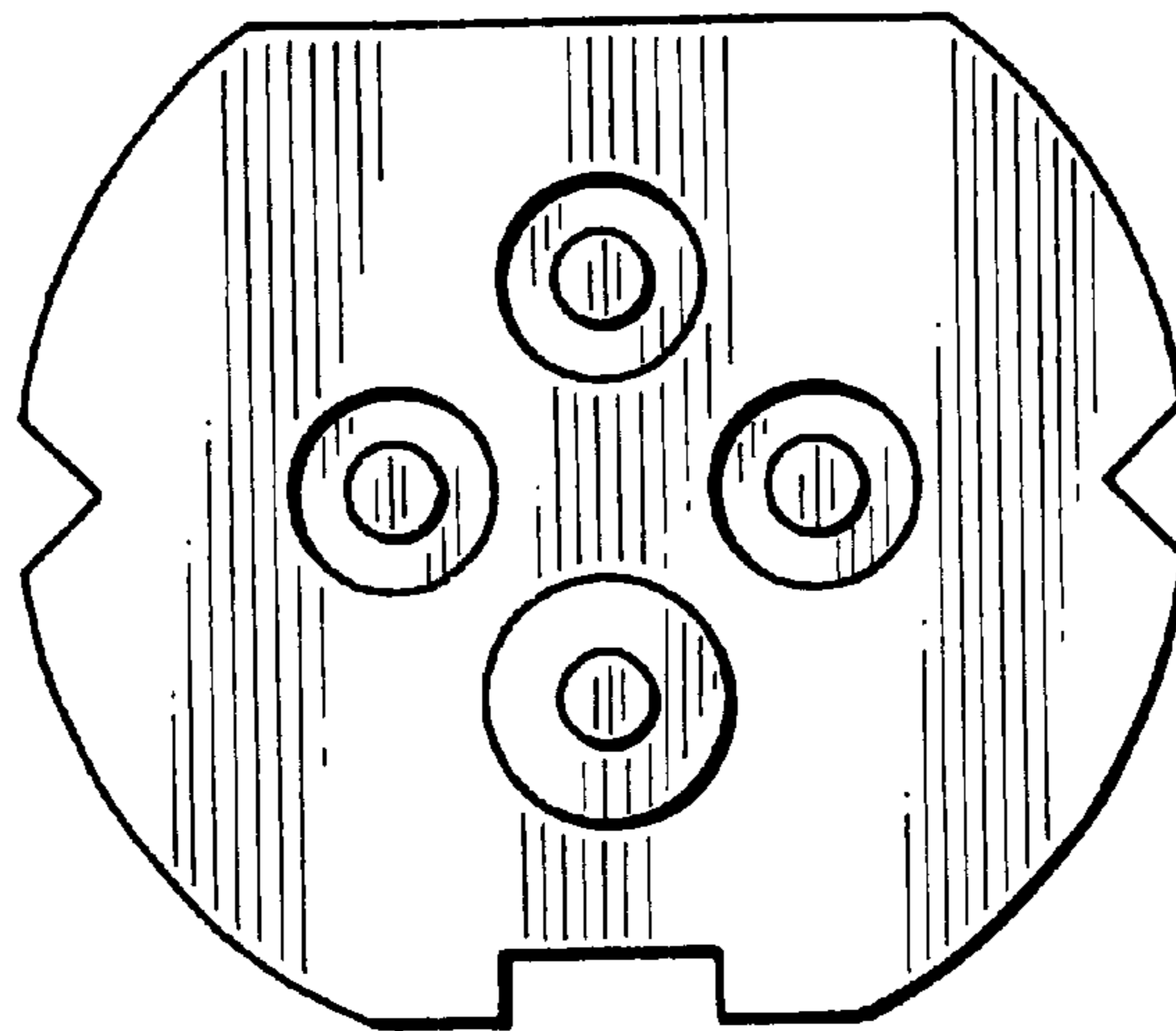


Fig. 6