



US00D456531S

(12) **United States Design Patent**  
**O'Hagin et al.**

(10) **Patent No.:** **US D456,531 S**

(45) **Date of Patent:** **\*\* Apr. 30, 2002**

(54) **CLOAKED ROOF VENT FOR A TILE ROOF**

(76) Inventors: **Harry O'Hagin; Carolina O'Hagin,**  
both of 1349 Cunningham Rd.,  
Sebastopol, CA (US) 95472

(\*\*) Term: **14 Years**

(21) Appl. No.: **29/132,825**

(22) Filed: **Nov. 16, 2000**

**Related U.S. Application Data**

(63) Continuation of application No. 08/960,166, filed on Oct. 29, 1997, which is a continuation of application No. 07/294,738, filed on Aug. 4, 1992, now abandoned.

(51) **LOC (7) Cl.** ..... **25-01**

(52) **U.S. Cl.** ..... **D25/140; D25/199**

(58) **Field of Search** ..... **52/518, 553, 554,**  
**52/535, 198, 199, 95; D25/139, 199, 140**

(56) **References Cited**

**U.S. PATENT DOCUMENTS**

5,636,481 A \* 6/1997 De Zen ..... 52/95  
D402,064 S \* 12/1998 Hahn ..... D25/140

\* cited by examiner

*Primary Examiner*—Doris Clark

(74) *Attorney, Agent, or Firm*—Knobbe, Martens, Olson & Bear, LLP

(57) **CLAIM**

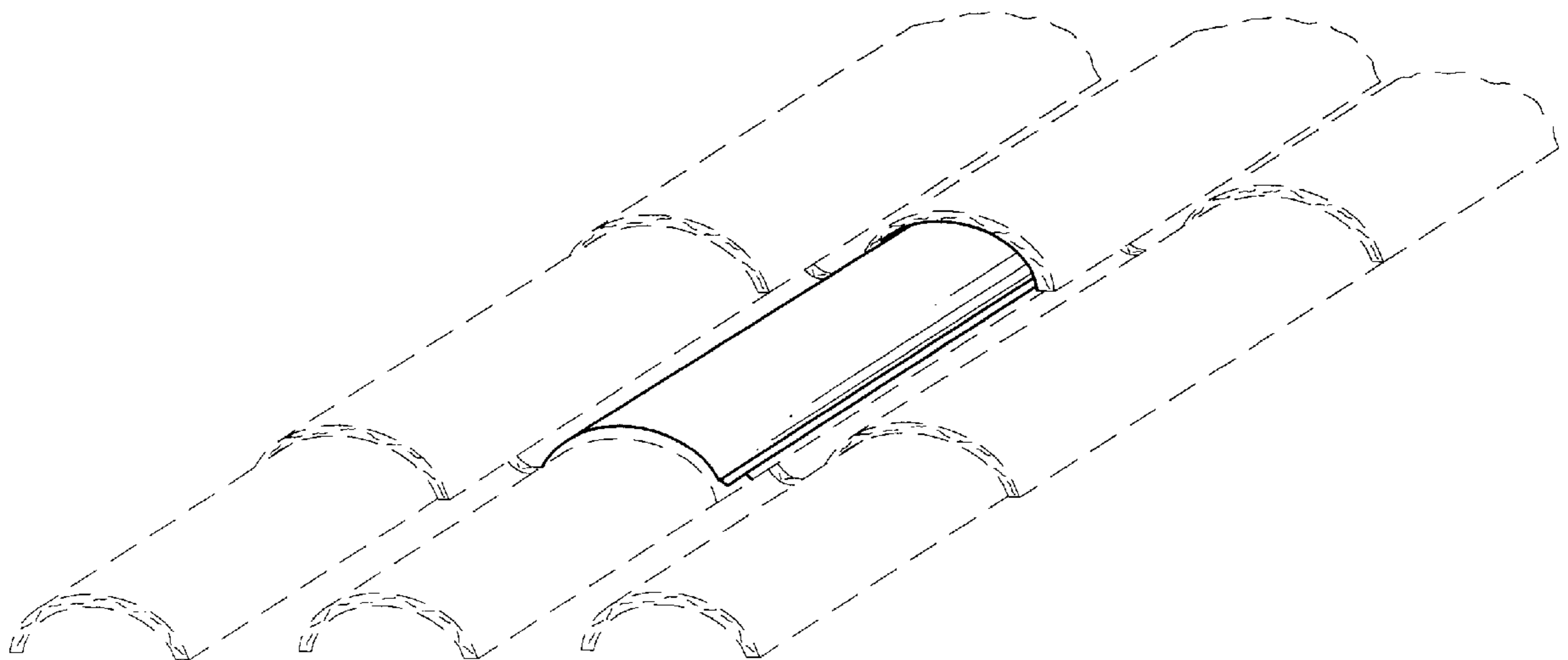
The ornamental design for a cloaked roof vent for a tile roof, as shown and described.

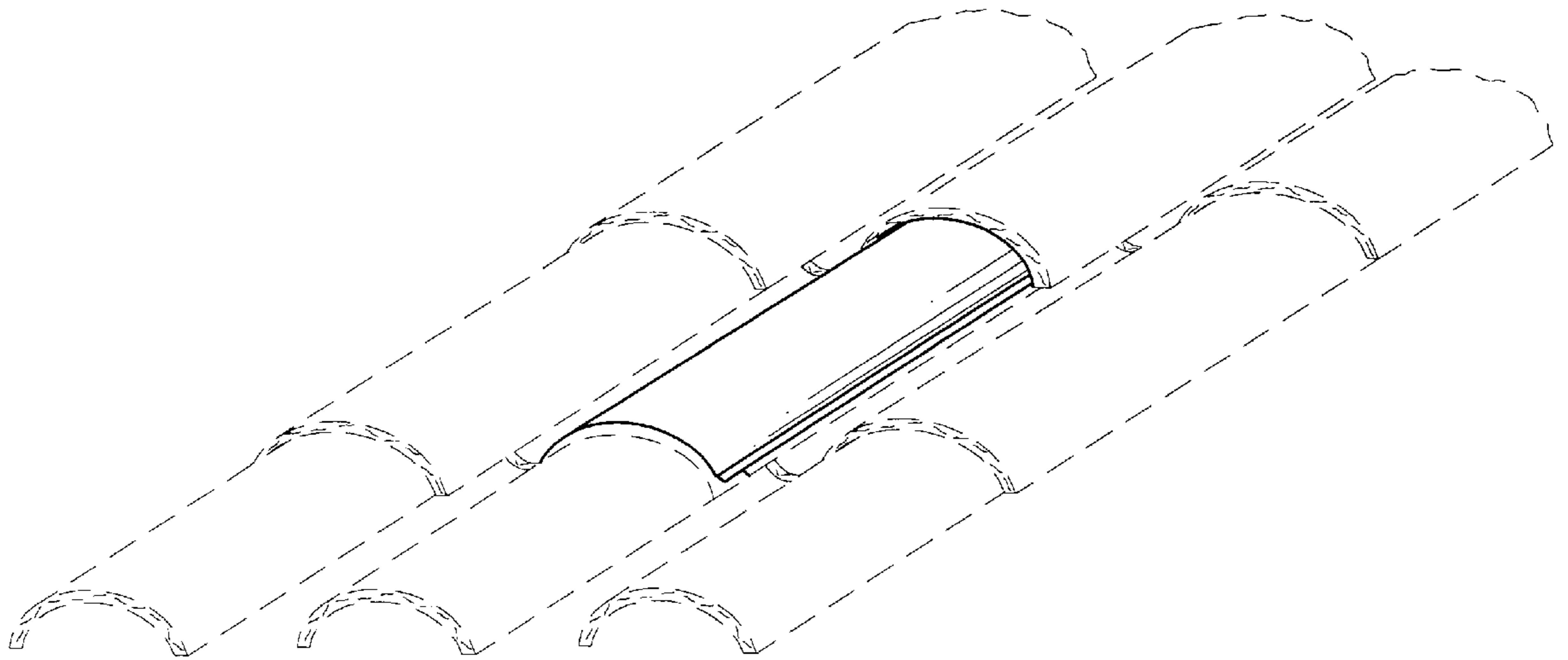
**DESCRIPTION**

The FIGURE shows a perspective view of a cloaked roof vent for a tile roof.

The broking lines are for illustrative purposes only and form no part of the claimed design.

**1 Claim, 1 Drawing Sheet**





*FIG. 1*