



US00D456527S

(12) **United States Design Patent**
Azar

(10) **Patent No.:** **US D456,527 S**

(45) **Date of Patent:** **** *Apr. 30, 2002**

(54) **BRICK**

(76) **Inventor:** **Tony J. Azar**, 3555 North Service Road, East Windsor, Ontario (CA), N8W 5R7

(*) **Notice:** This patent is subject to a terminal disclaimer.

(**) **Term:** **14 Years**

(21) **Appl. No.:** **29/130,609**

(22) **Filed:** **Oct. 5, 2000**

(51) **LOC (7) Cl.** **25-01**

(52) **U.S. Cl.** **D25/113**

(58) **Field of Search** D25/102, 113-118, D25/164; D21/484-486, 489-491, 500-502; 405/484-287.1; 404/17-18, 27-31, 34-42; 52/102, 574-581, 588.1, 582.1, 582.2, 596.612

(56) **References Cited**

U.S. PATENT DOCUMENTS

| | | | | | |
|-------------|---|---------|----------|-------|----------|
| D21,522 S | * | 5/1892 | Lewis | | D25/113 |
| 1,086,975 A | * | 2/1914 | Aaronson | | 52/316 X |
| 1,465,022 A | * | 5/1924 | Langer | | 52/605 X |
| D266,362 S | * | 9/1982 | Santos | | D25/114 |
| 6,145,266 A | * | 11/2000 | VonDross | | 52/604 |

OTHER PUBLICATIONS

Sweet's General Renovation and Construction Catalog, 1993: Buyline 04400, Hanover Architectural Products Inc, "RockCurb (R) Straight Section", p. 4.*

* cited by examiner

Primary Examiner—Stella Reid
Assistant Examiner—Robert A. Delehanty

(74) *Attorney, Agent, or Firm*—Anthony J. Casella; Gerald E. Hespos

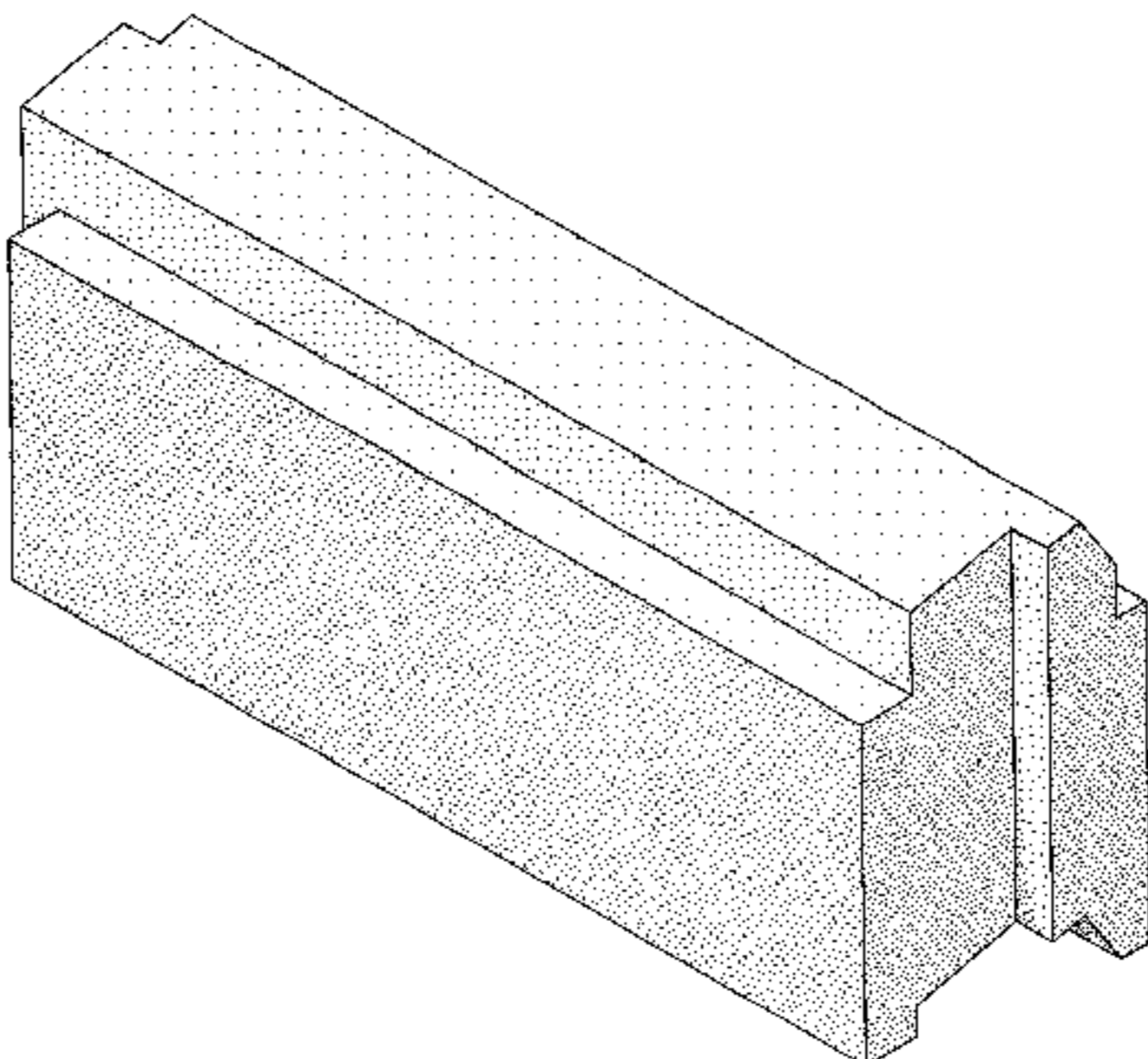
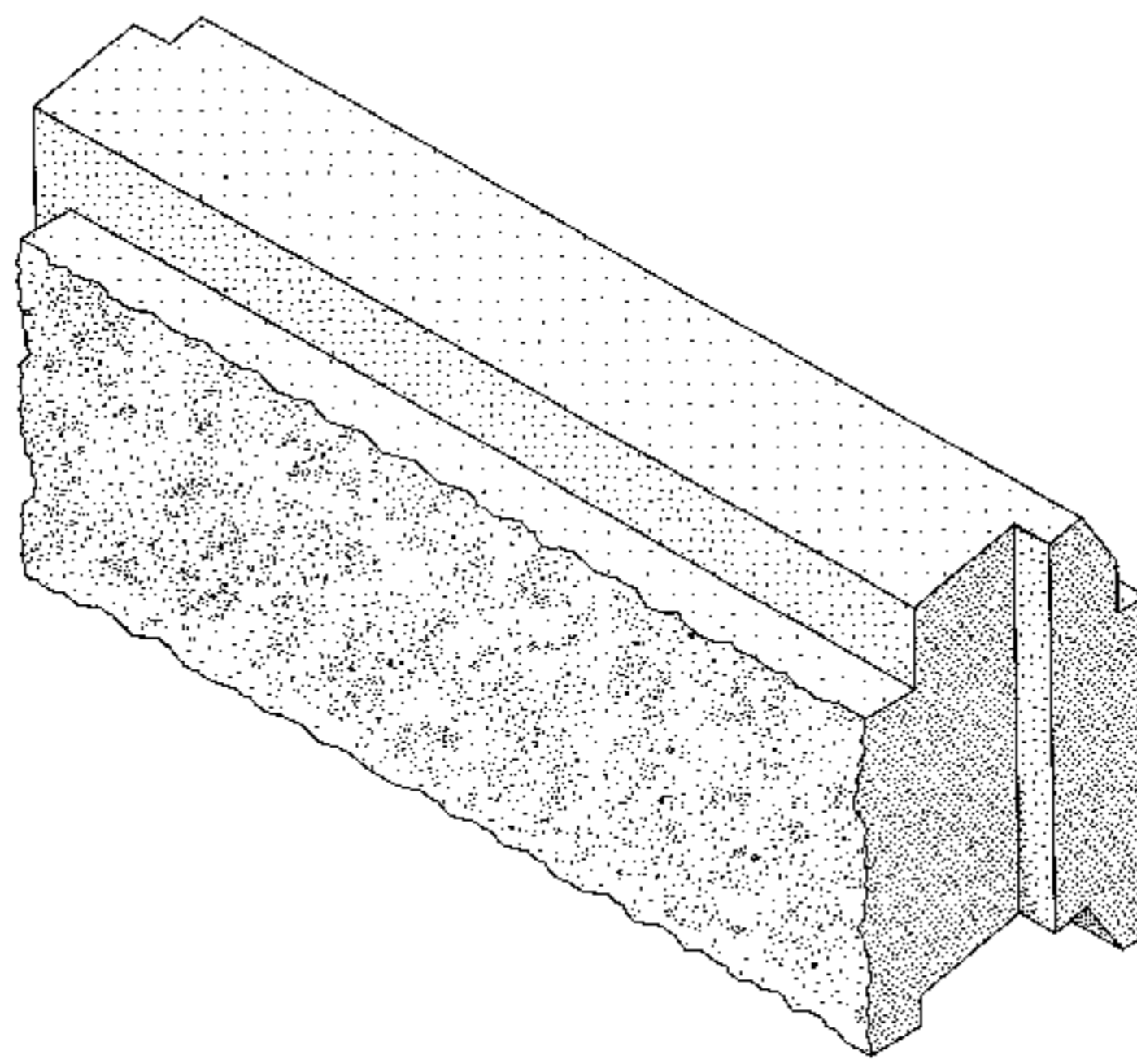
(57) **CLAIM**

The ornamental design of a brick, as shown and described.

DESCRIPTION

FIG. 1 is a perspective view of a brick in accordance with my design, and showing the front face of the brick;
 FIG. 2 is a rear elevational view of my design;
 FIG. 3 is a front elevational view thereof;
 FIG. 4 is a top plan view thereof;
 FIG. 5 is a bottom plan view thereof;
 FIG. 6 is a side elevational view as viewed from the right side of FIG. 1;
 FIG. 7 is a side elevational view as viewed from the left side of FIG. 1;
 FIG. 8 is a perspective view of the brick shown in FIG. 1, but showing the rear face of the brick;
 FIG. 9 is a perspective view showing the rear face of a brick similar to the brick shown in FIGS. 1-8, but having a smooth front face;
 FIG. 10 is a rear elevational view of the brick shown in FIG. 9;
 FIG. 11 is a front elevational view thereof;
 FIG. 12 is a bottom plan view thereof;
 FIG. 13 is a top plan view thereof;
 FIG. 14 is a side elevational view as viewed from the left side of FIG. 9;
 FIG. 15 is a side elevational view as viewed from the right side of FIG. 9; and,
 FIG. 16 is a perspective view similar to FIG. 9, but showing the front face of the brick.

1 Claim, 8 Drawing Sheets



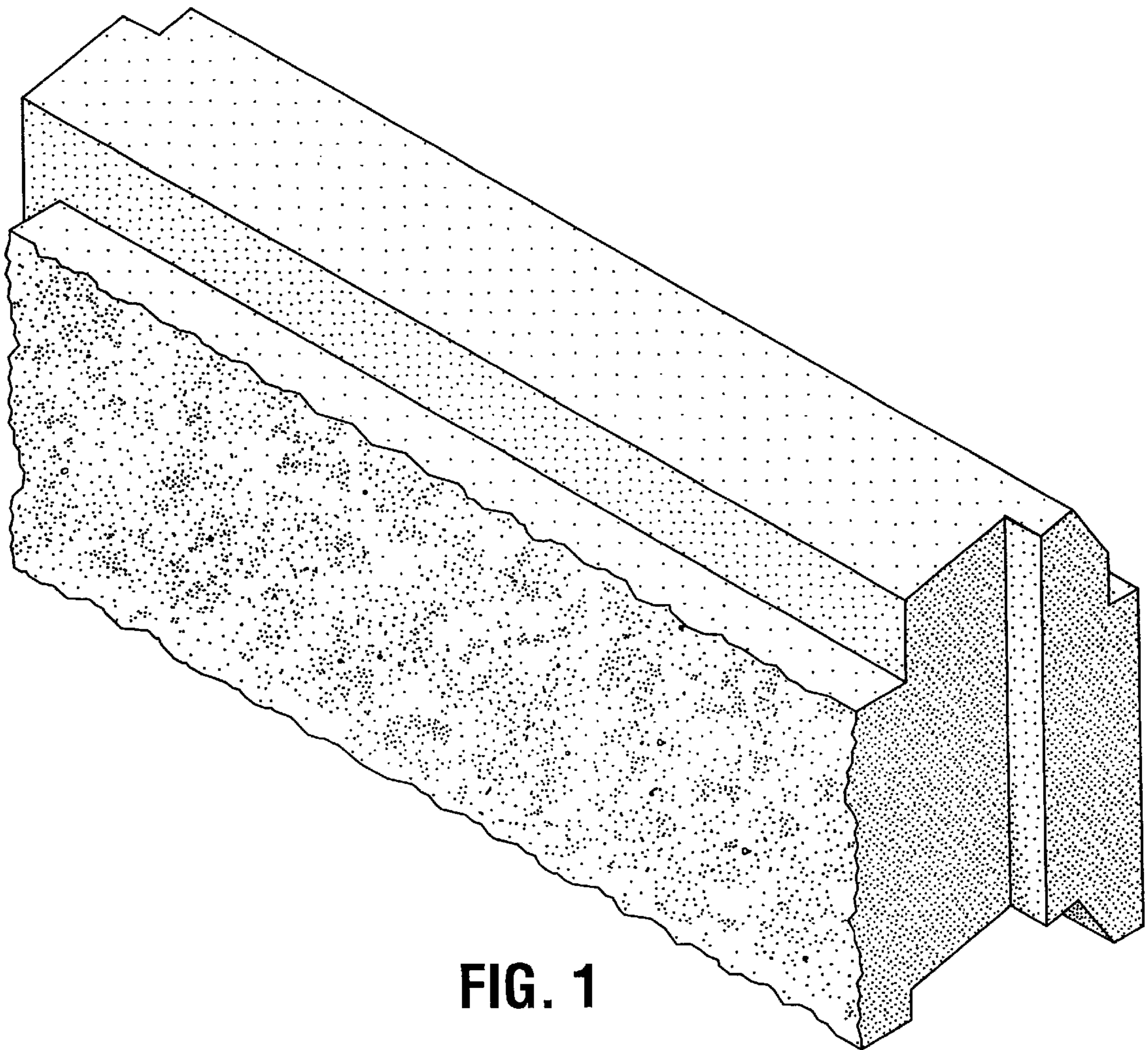


FIG. 1

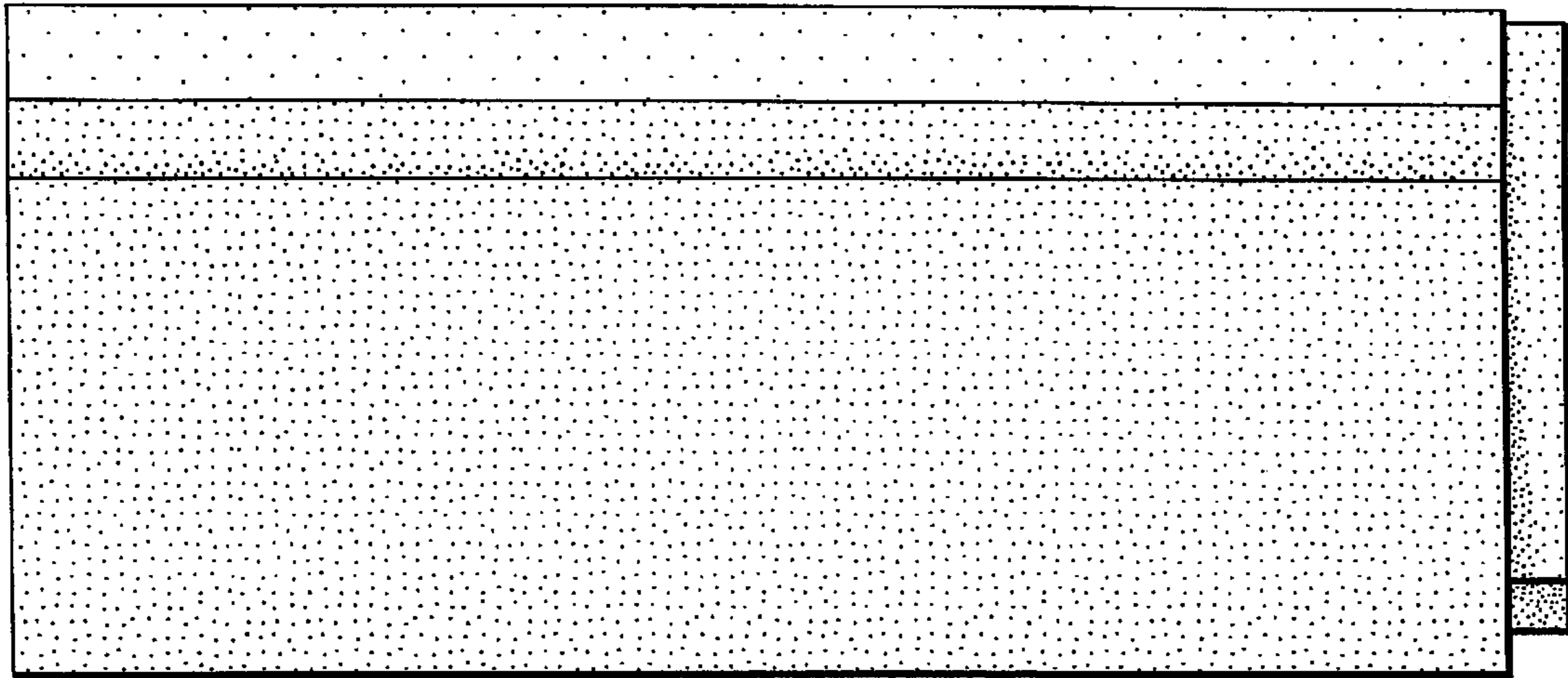


FIG. 2

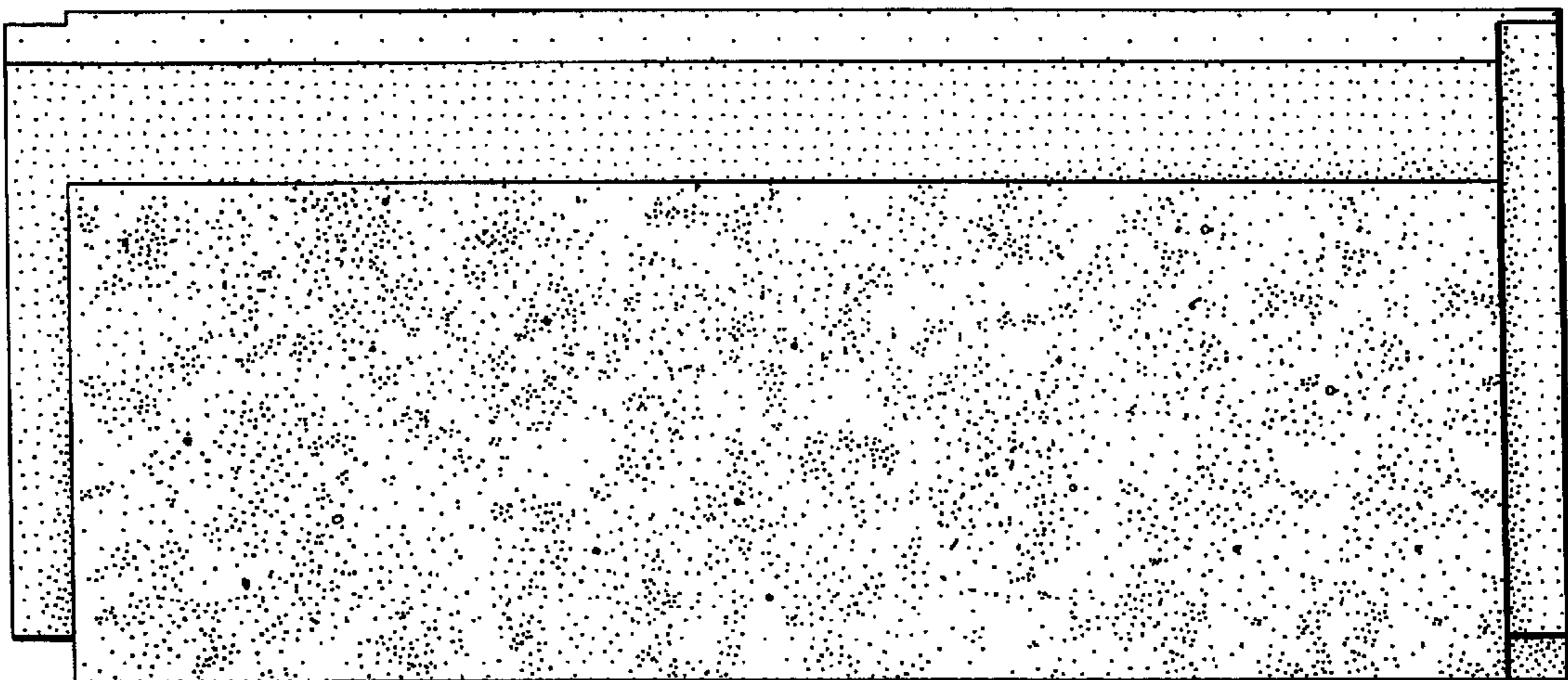


FIG. 3

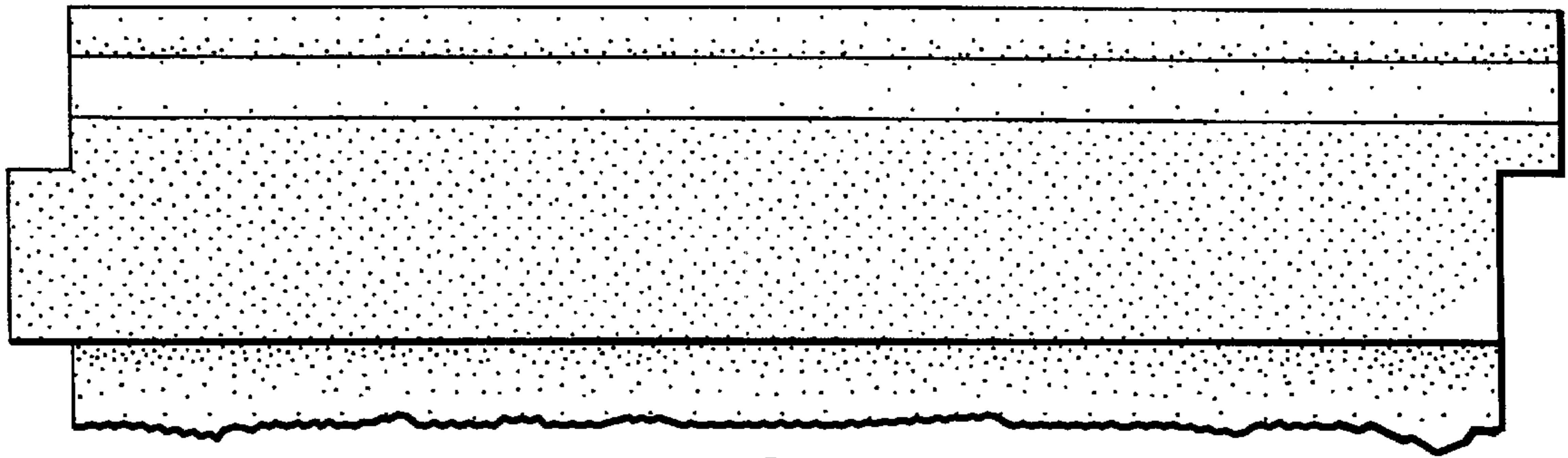


FIG. 4

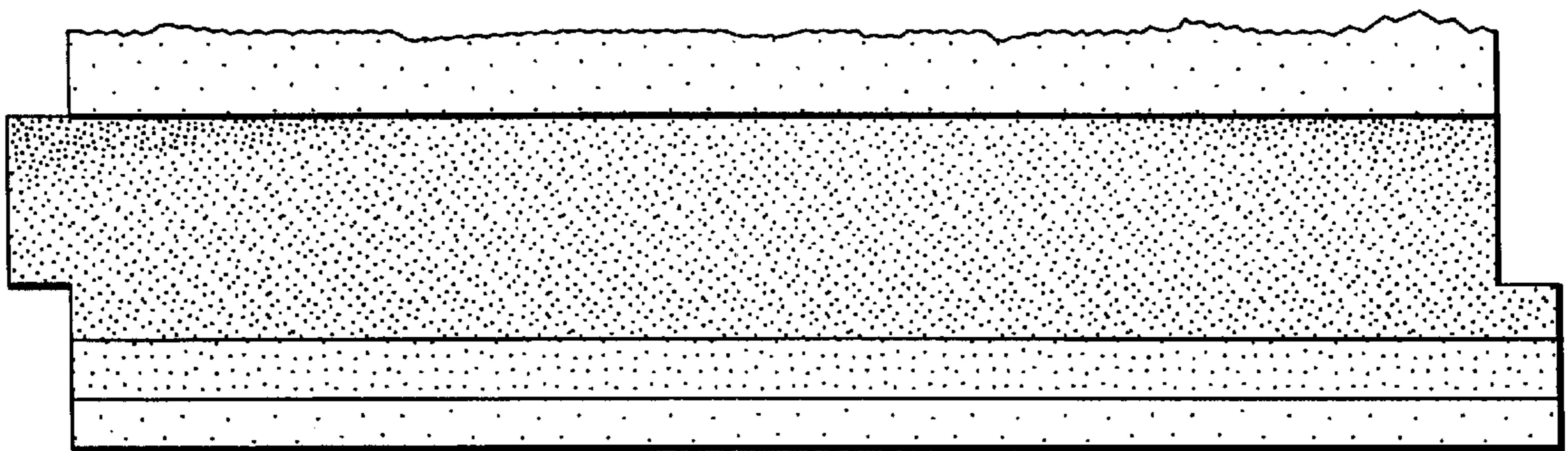


FIG. 5

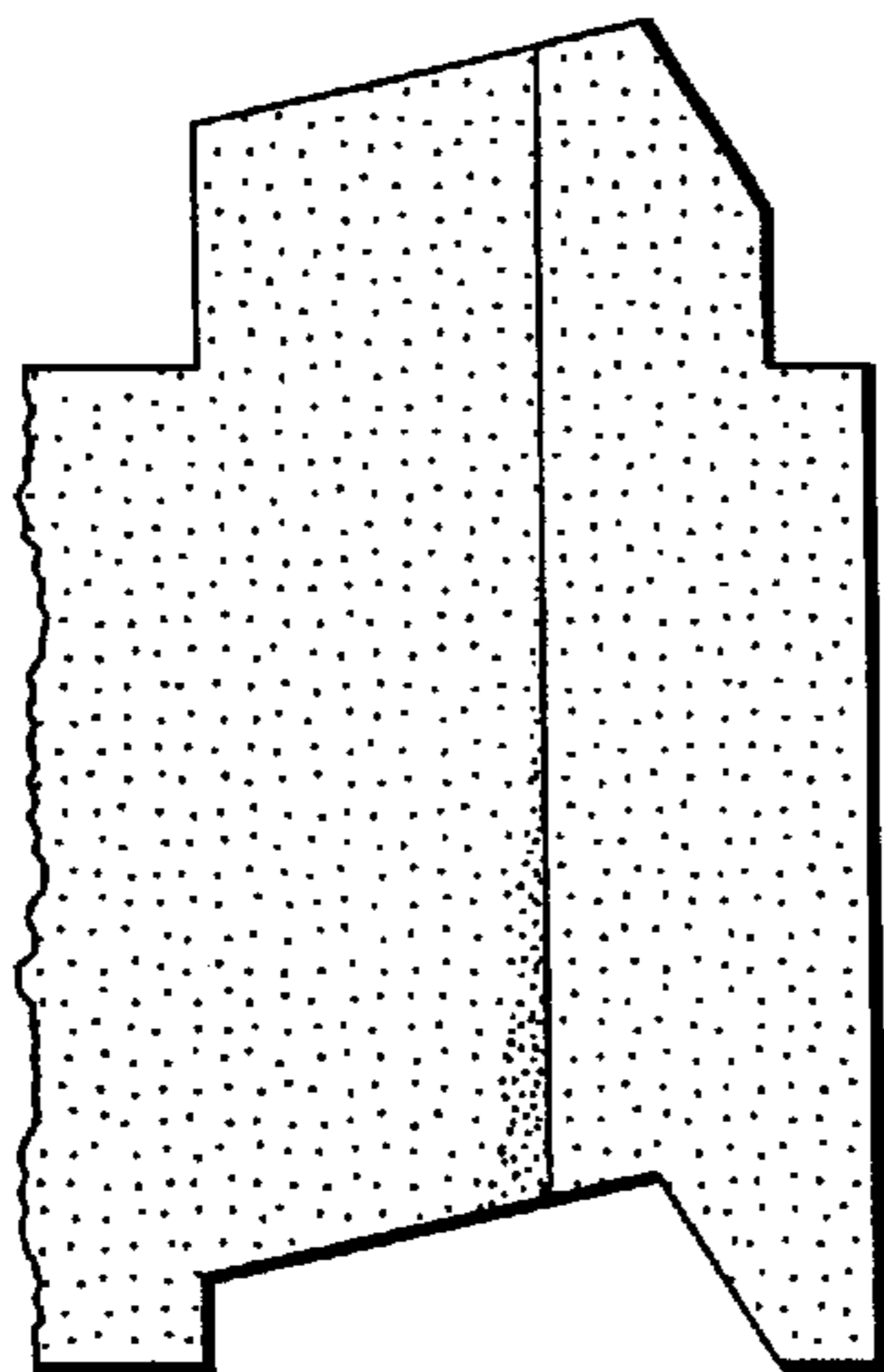


FIG. 6

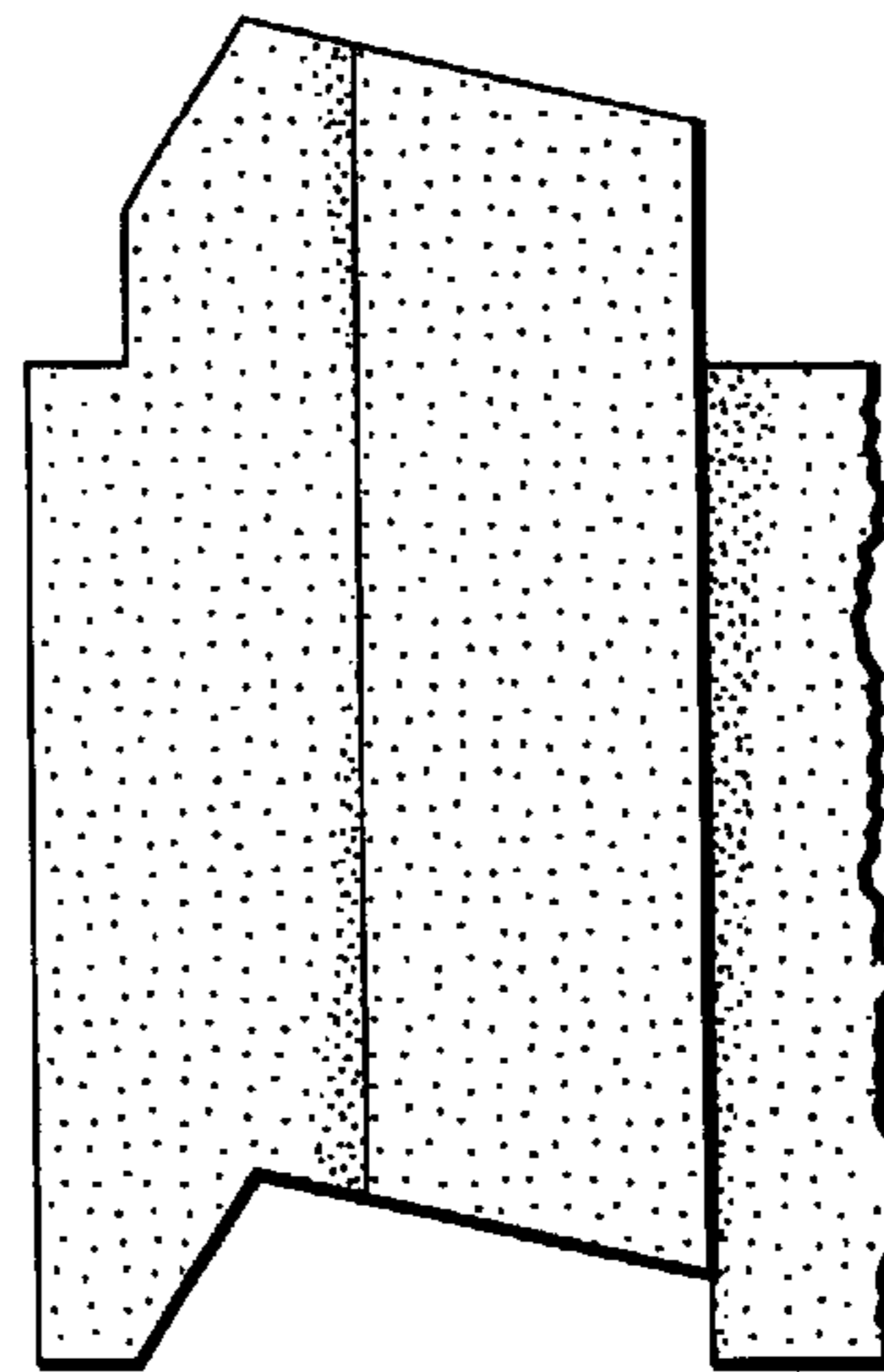


FIG. 7

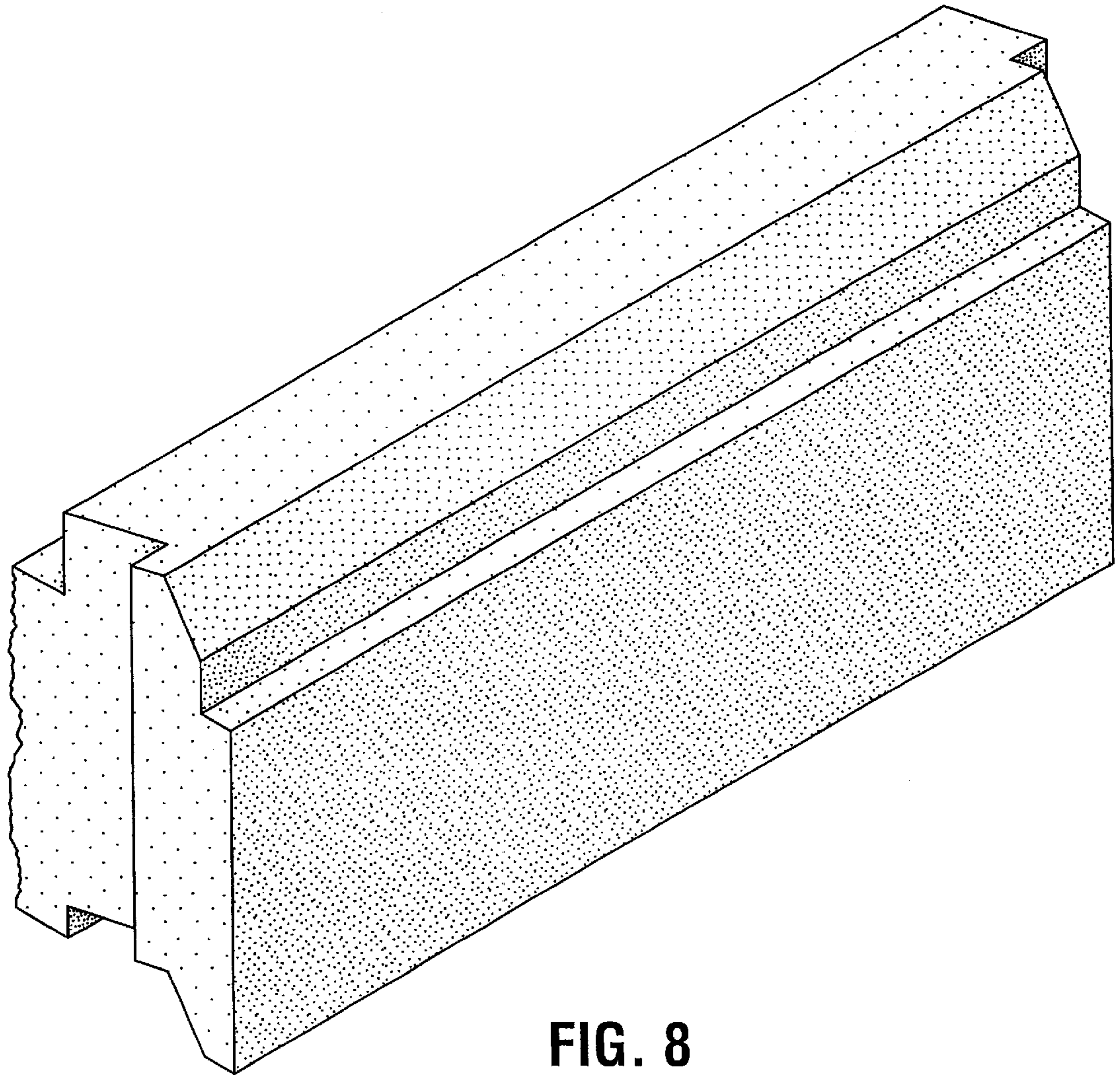


FIG. 8

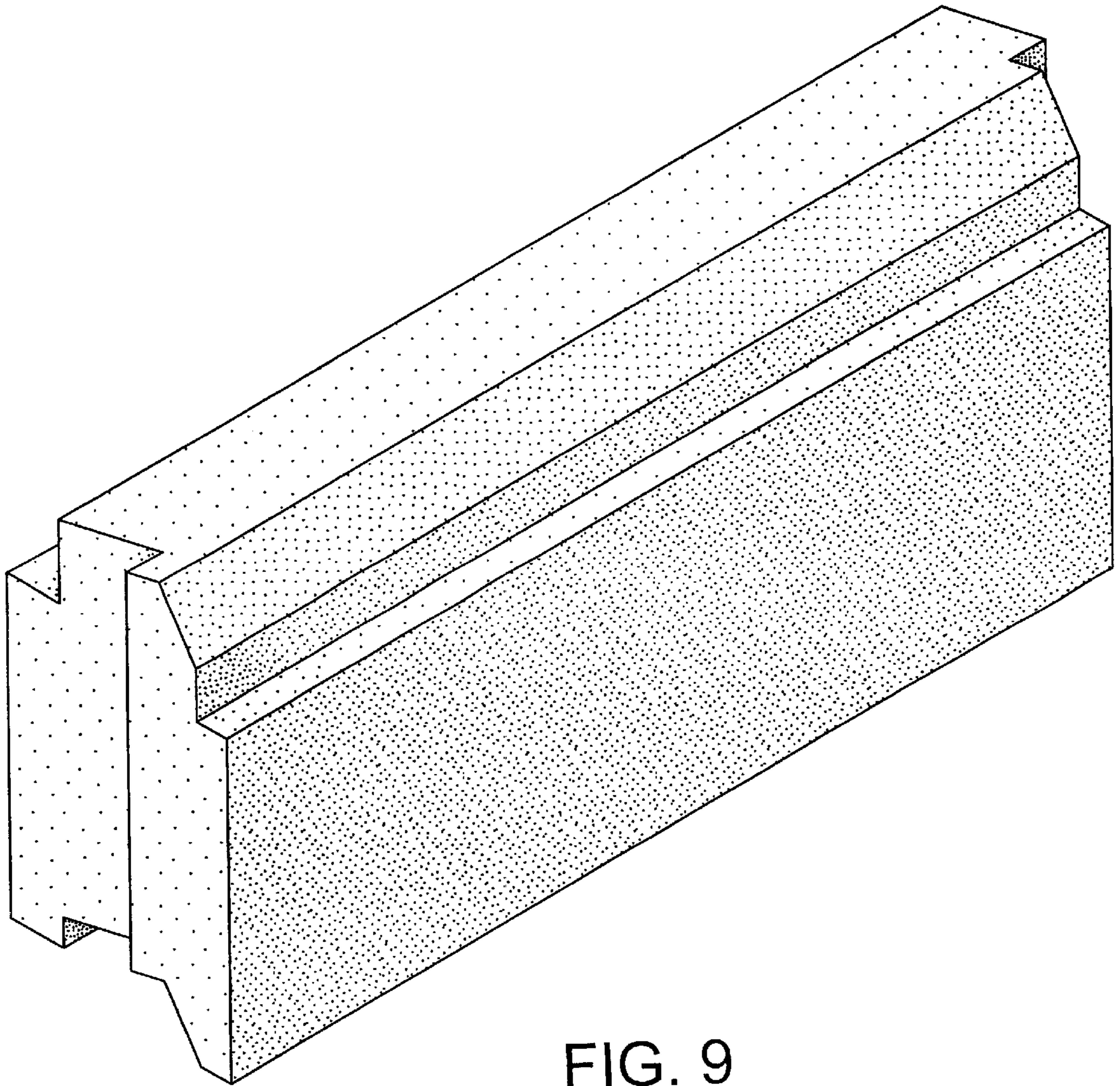


FIG. 9

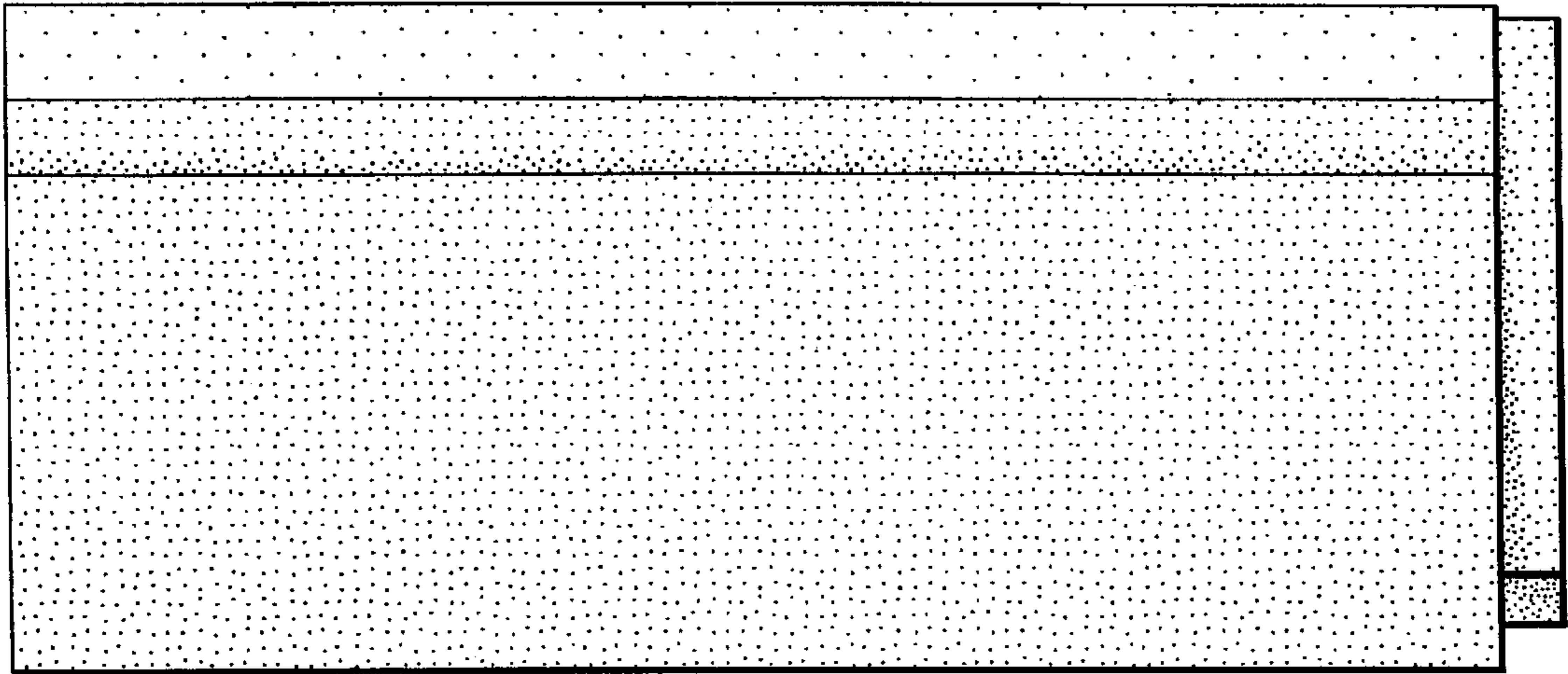


FIG. 10

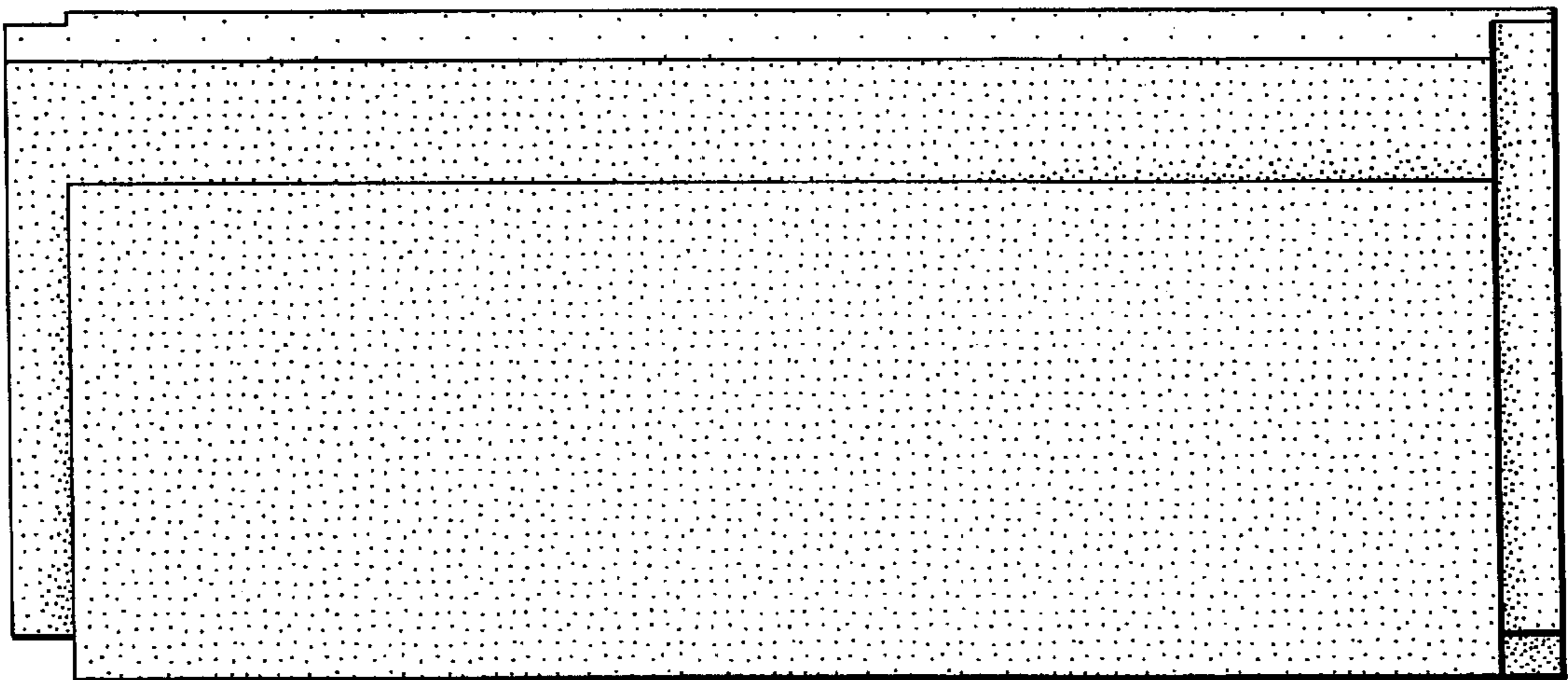


FIG. 11

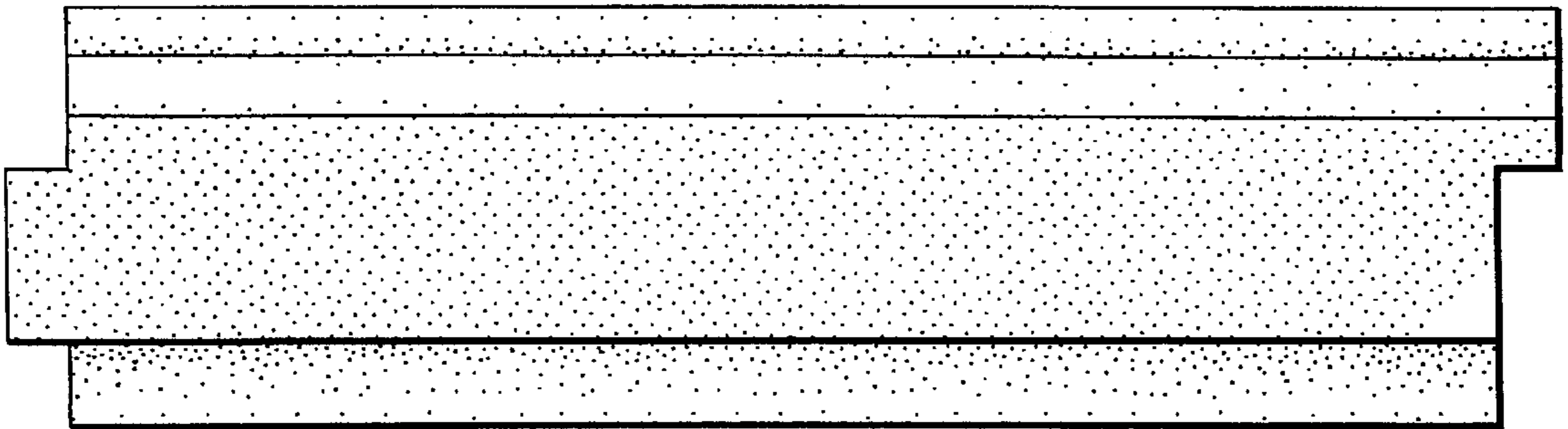


FIG. 12

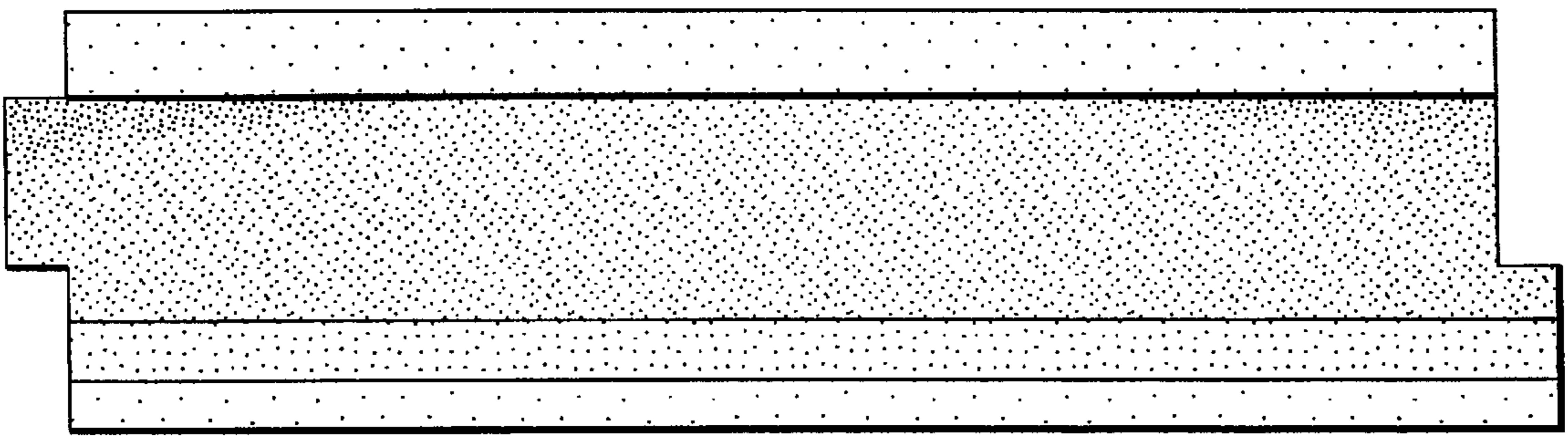


FIG. 13

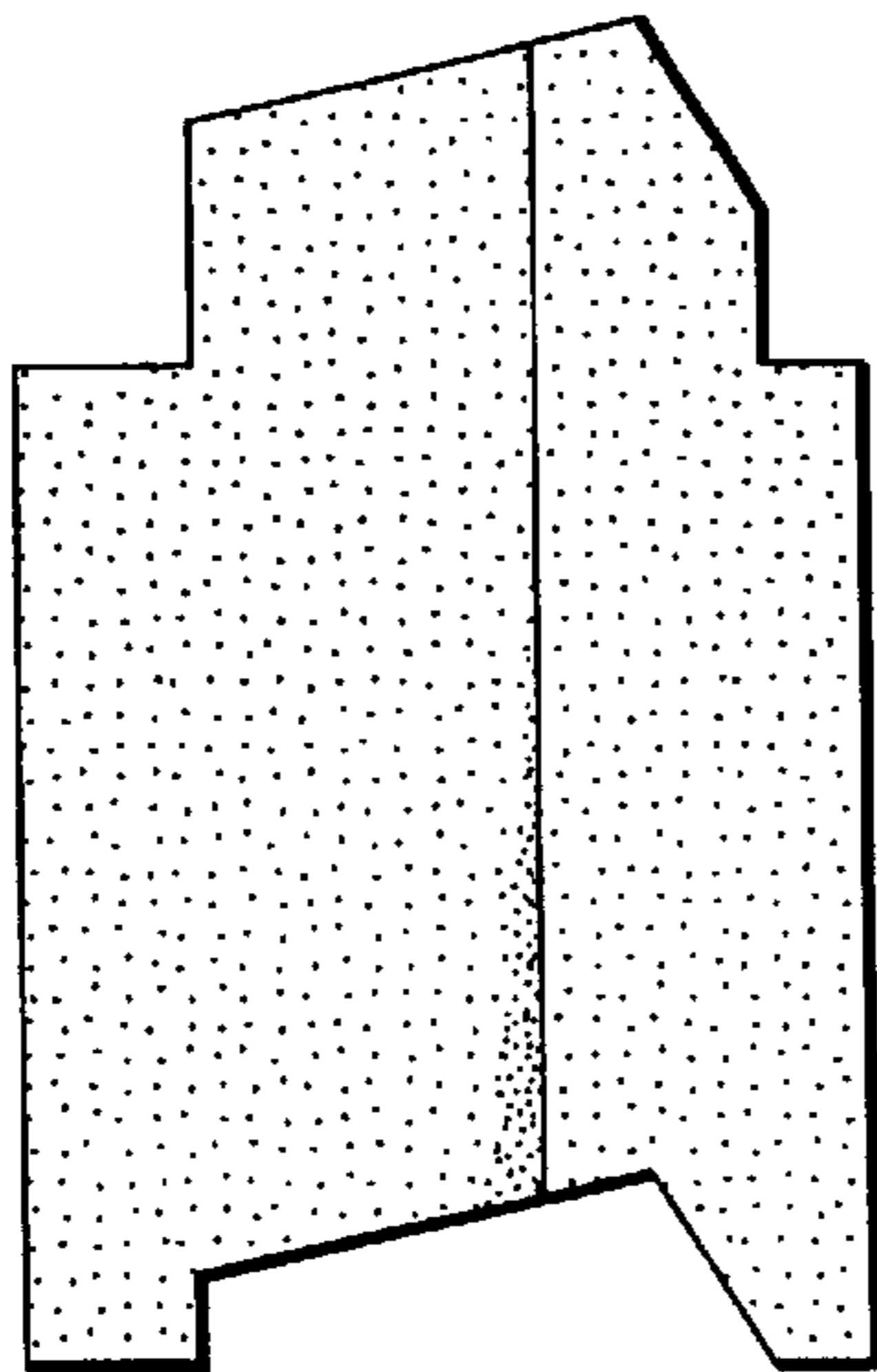


FIG. 14

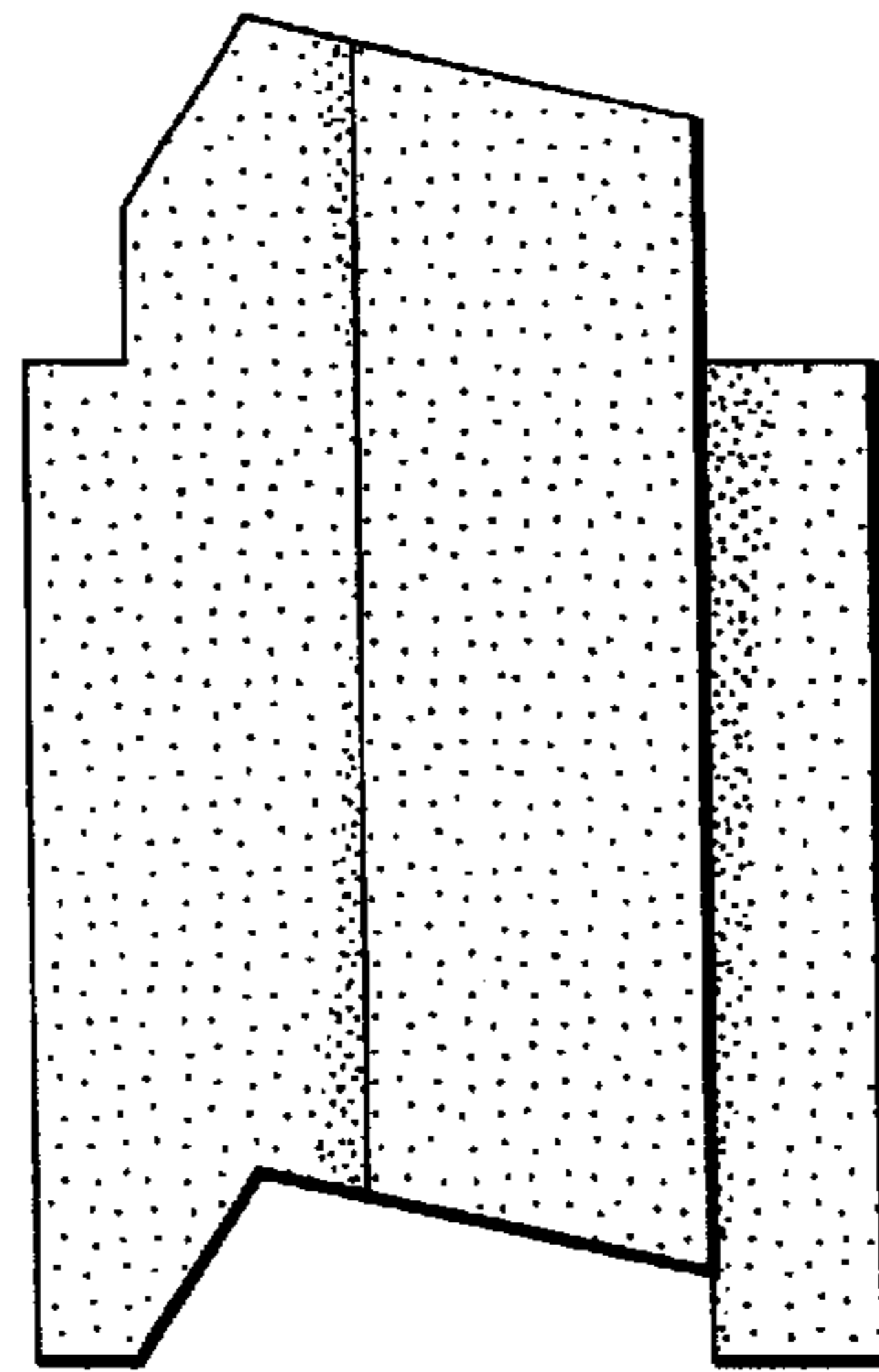


FIG. 15

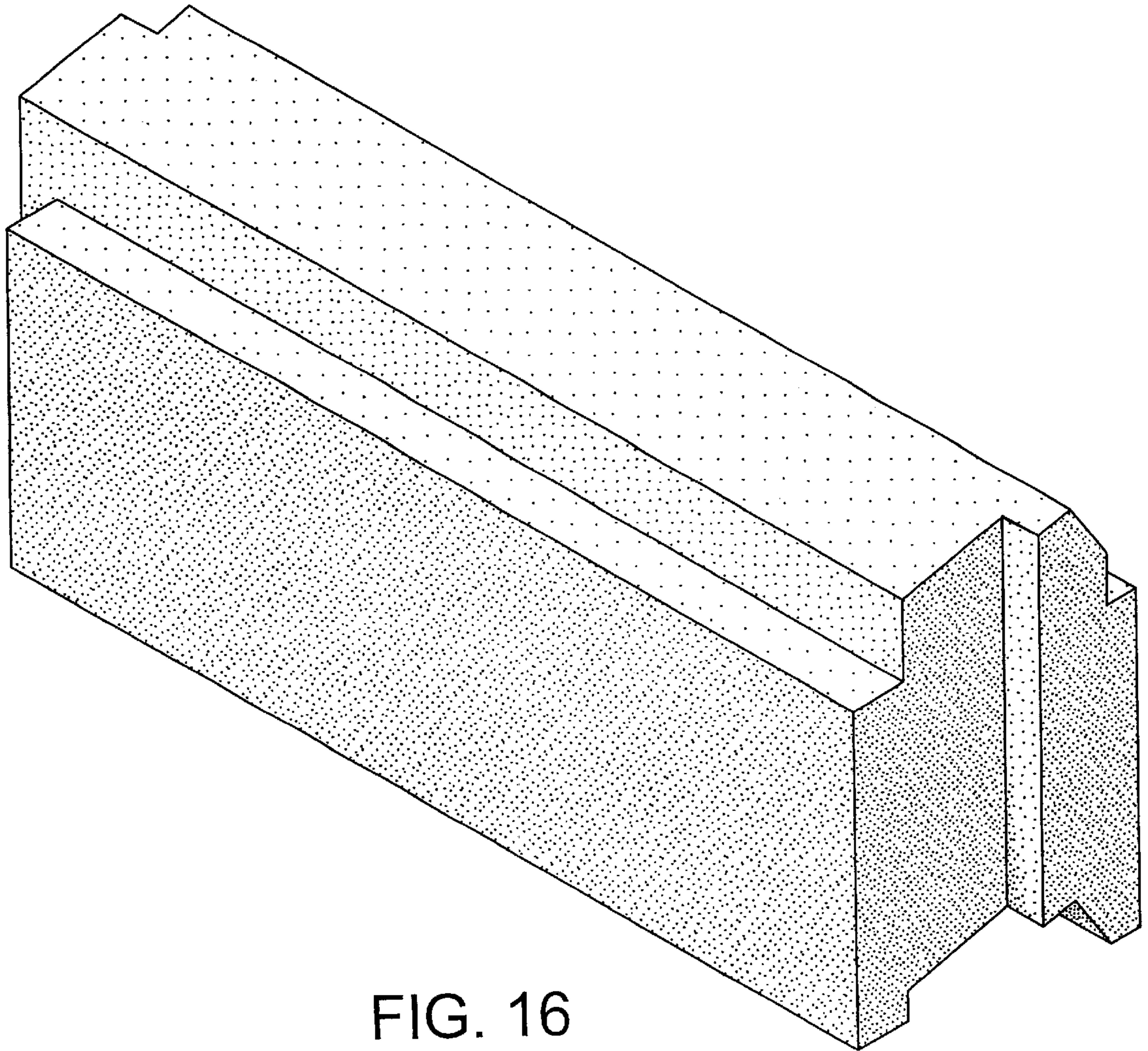


FIG. 16