



US00D456526S

(12) **United States Design Patent**
Brown

(10) **Patent No.:** **US D456,526 S**

(45) **Date of Patent:** **** Apr. 30, 2002**

(54) **LADDER SAFETY HOOP**

D365,156 S * 12/1995 Strickler D25/68
5,507,362 A * 4/1996 Krueger 182/3

(75) Inventor: **Richard T. Brown**, Woodbury, MN
(US)

* cited by examiner

(73) Assignee: **Safety Brace, Inc**, Inver Grove
Heights, MN (US)

Primary Examiner—Doris Clark
(74) *Attorney, Agent, or Firm*—Roger W. Jensen

(**) Term: **14 Years**

(57) **CLAIM**

The ornamental design for a ladder safety hoop, as shown.

(21) Appl. No.: **29/125,008**

(22) Filed: **Jun. 15, 2000**

DESCRIPTION

(51) **LOC (7) Cl.** **25-04**

(52) **U.S. Cl.** **D25/68**

(58) **Field of Search** D25/62, 68; 182/3,
182/5, 8, 9

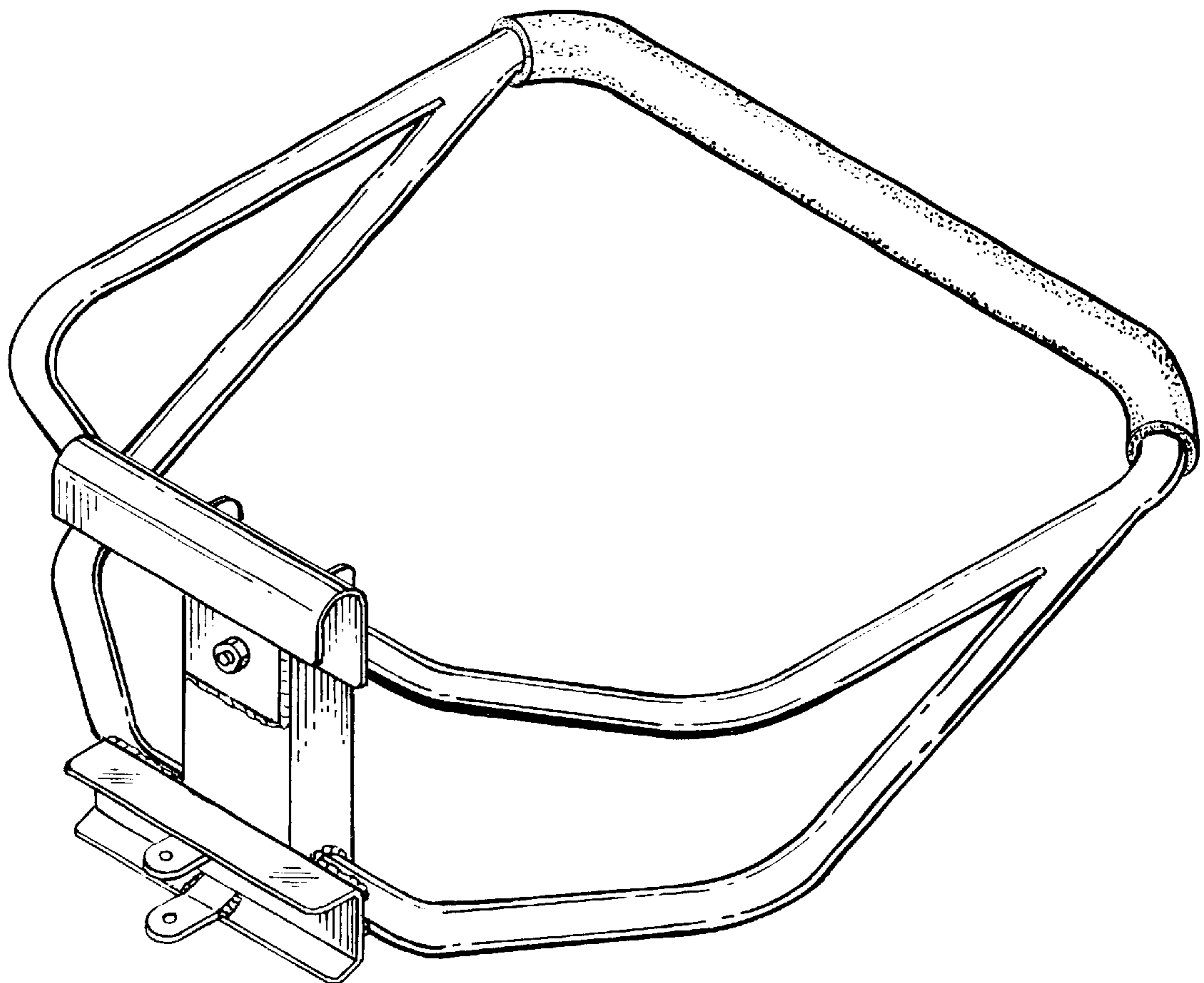
FIG. 1 is a top, front and right side perspective view of a ladder safety hoop showing my new design;
FIG. 2 is a top view thereof;
FIG. 3 is a right side view thereof;
FIG. 4 is a bottom view thereof;
FIG. 5 is a left side view thereof;
FIG. 6 is a back side view thereof; and,
FIG. 7 is a front view thereof.

(56) **References Cited**

U.S. PATENT DOCUMENTS

4,423,796 A * 1/1984 Sulowski et al. 182/8

1 Claim, 4 Drawing Sheets



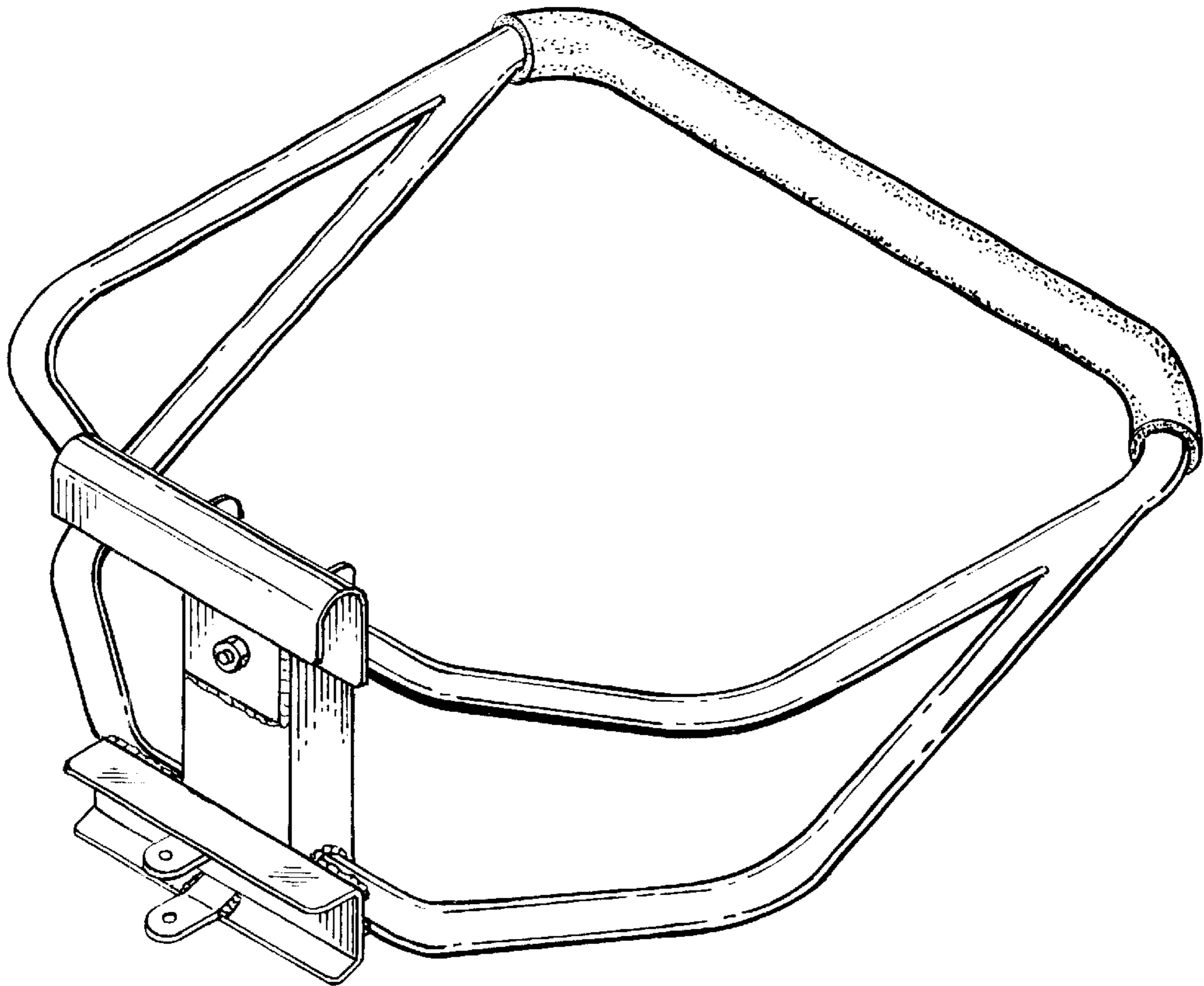


FIG. 1

FIG. 2

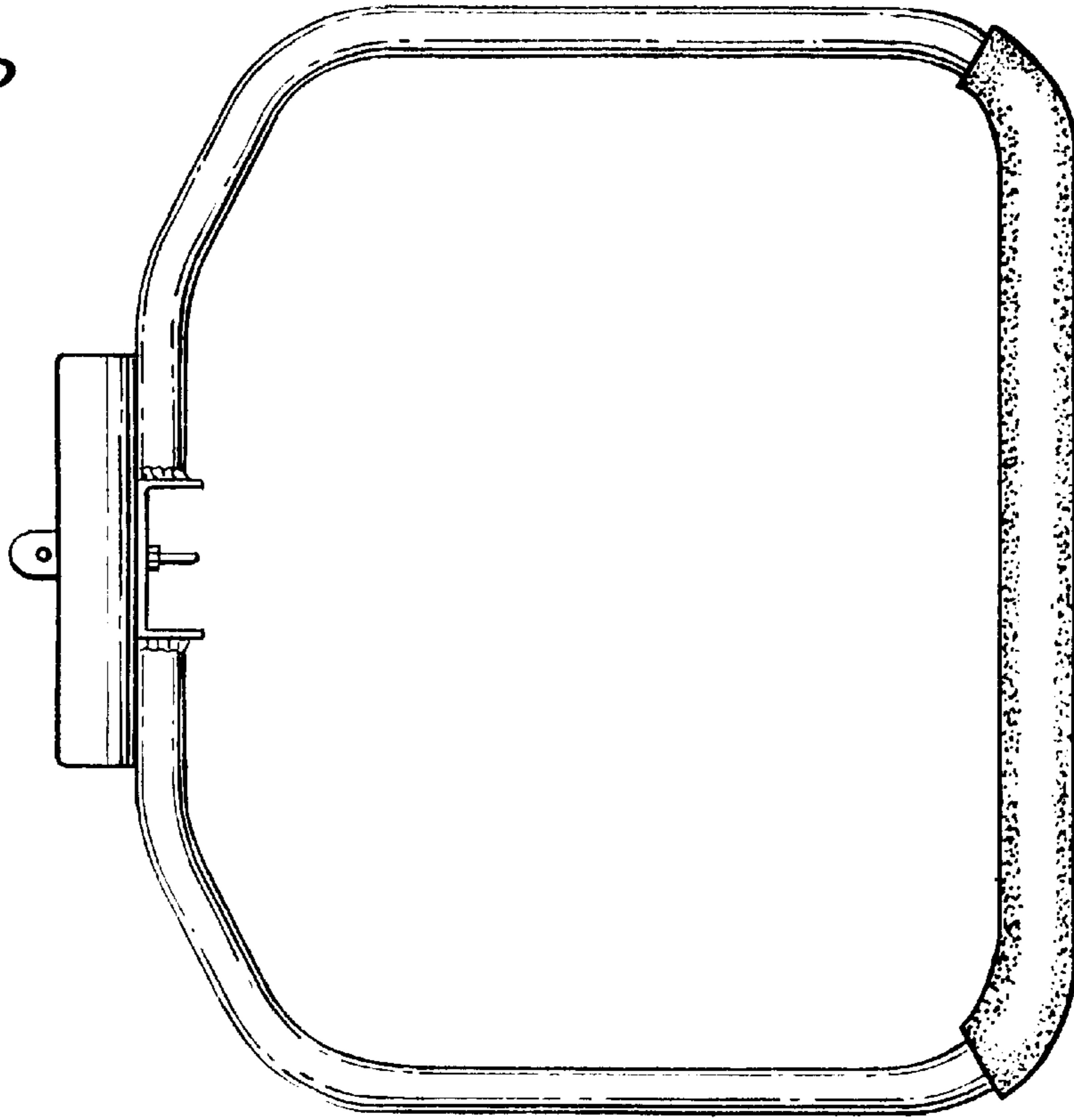


FIG. 3

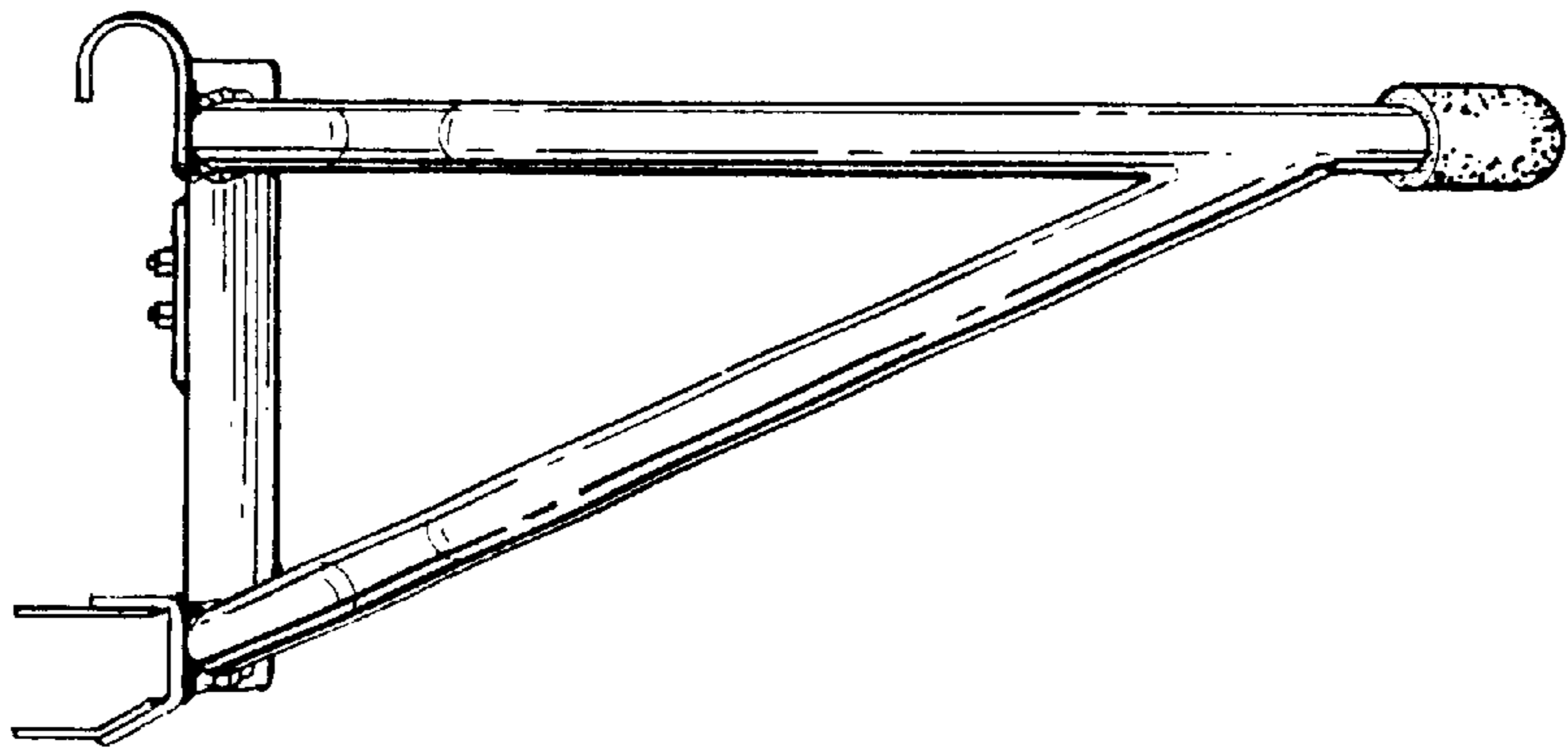


FIG. 4

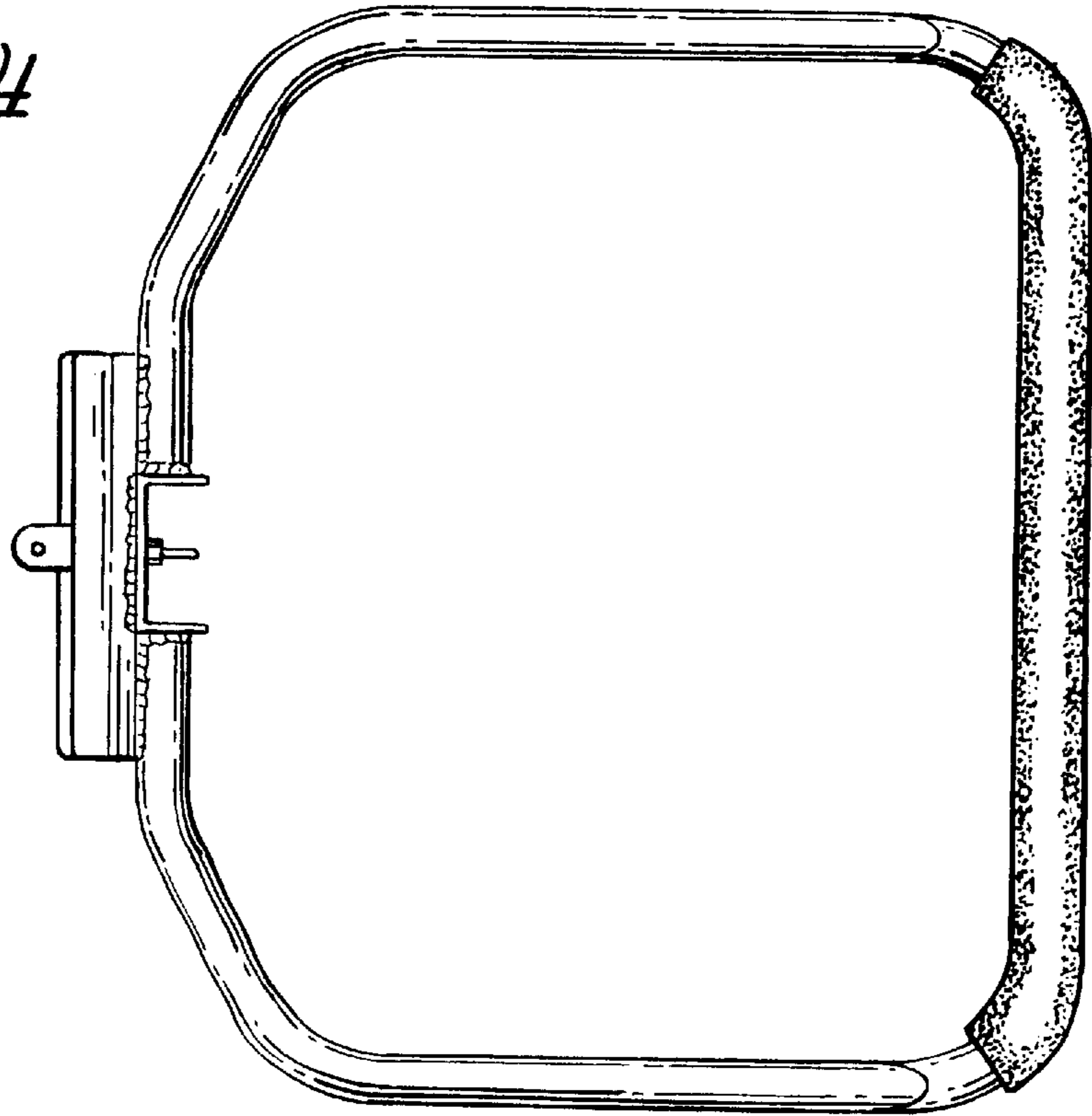


FIG. 5

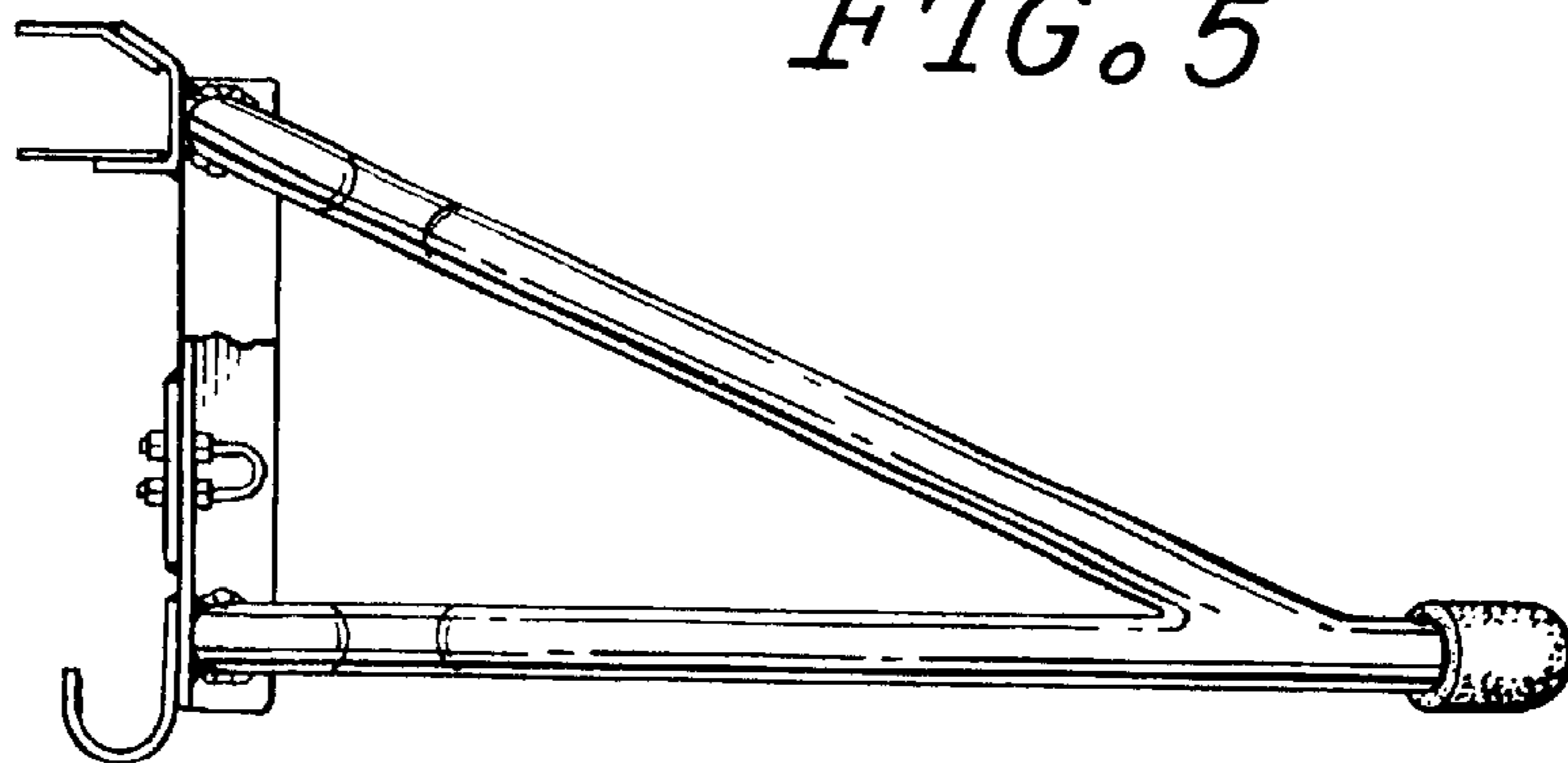


FIG. 7

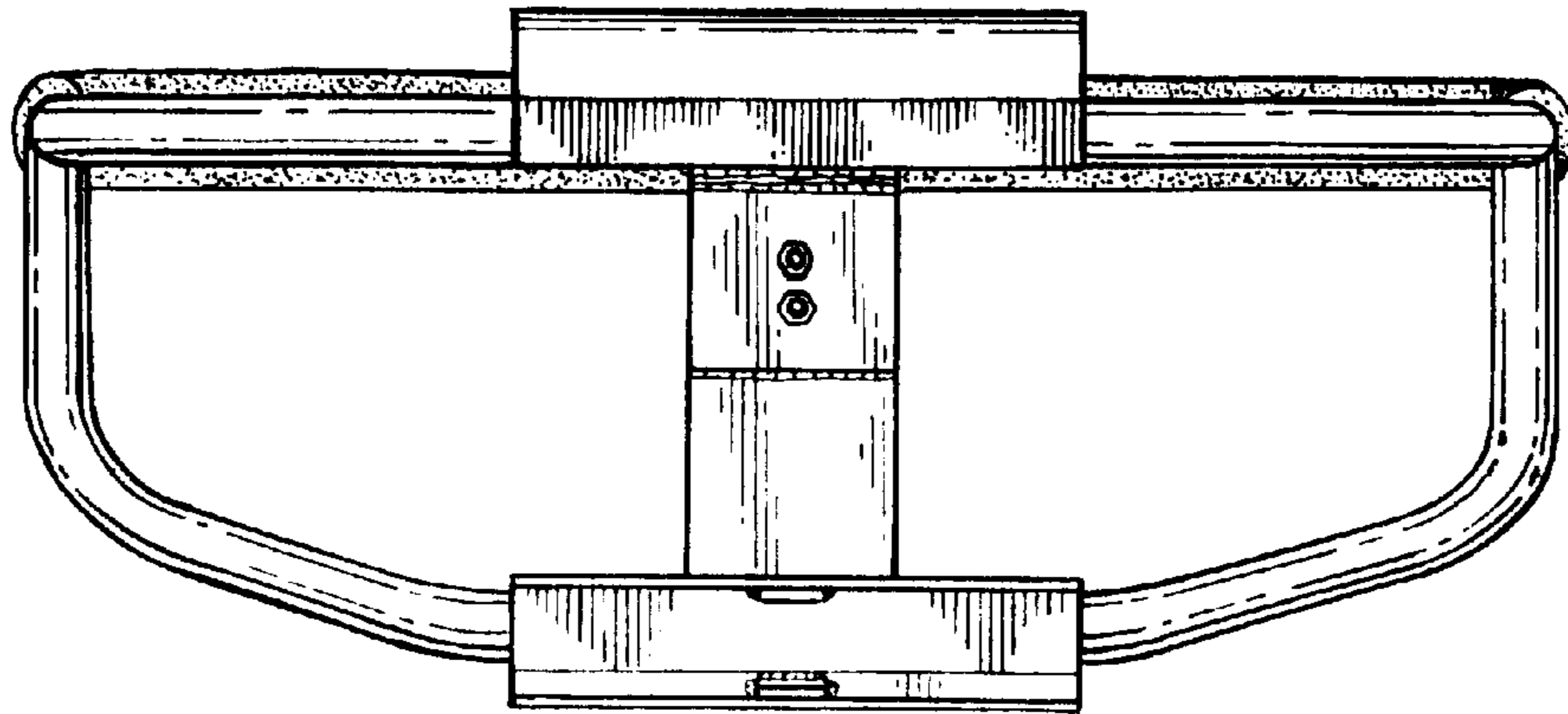


FIG. 6

