



US00D456521S

(12) **United States Design Patent**  
**Griffin et al.**

(10) **Patent No.:** **US D456,521 S**

(45) **Date of Patent:** **\*\* Apr. 30, 2002**

(54) **TENSION HEADBAND FOR HEADACHES**

6,149,617 A \* 11/2000 McNally et al. .... 602/62

(76) Inventors: **Brand N. Griffin**, 11321 Dellercrest Dr.  
SE., Huntsville, AL (US) 35803;  
**Stephen H. Landy**, 7655 Poplar Ave.,  
Germantown, TN (US) 38138

\* cited by examiner

*Primary Examiner*—Stella Reid  
(74) *Attorney, Agent, or Firm*—Lanier Ford Shaver &  
Payne PC; Gerald M. Walsh

(\*\*) Term: **14 Years**

(57) **CLAIM**

(21) Appl. No.: **29/150,725**

We claim the ornamental design for a tension headband for headaches, as shown and described.

(22) Filed: **Nov. 28, 2001**

**DESCRIPTION**

(51) **LOC (7) Cl.** ..... **24-04**

(52) **U.S. Cl.** ..... **D24/206**

(58) **Field of Search** ..... D24/200, 189,  
D24/190, 191, 206; 607/96, 108, 109, 110,  
112

FIG. 1 is a front, top perspective view of a tension headband for headaches showing our design in an open position.

FIG. 2 is a front, top perspective view thereof in a closed position.

FIG. 3 is a front elevational view thereof.

FIG. 4 is a rear elevational view thereof.

FIG. 5 is a top plan view thereof.

FIG. 6 is a bottom plan view thereof.

FIG. 7 is a right side elevational view thereof; and,

FIG. 8 is a left side elevational view thereof.

(56) **References Cited**

**U.S. PATENT DOCUMENTS**

- 4,742,581 A \* 5/1988 Rosenthal ..... 2/181
- D328,792 S \* 8/1992 Salmon et al. .... D24/207
- 5,165,402 A \* 11/1992 McCoy ..... 607/108
- D369,866 S \* 5/1996 Baughn ..... D24/206

**1 Claim, 2 Drawing Sheets**

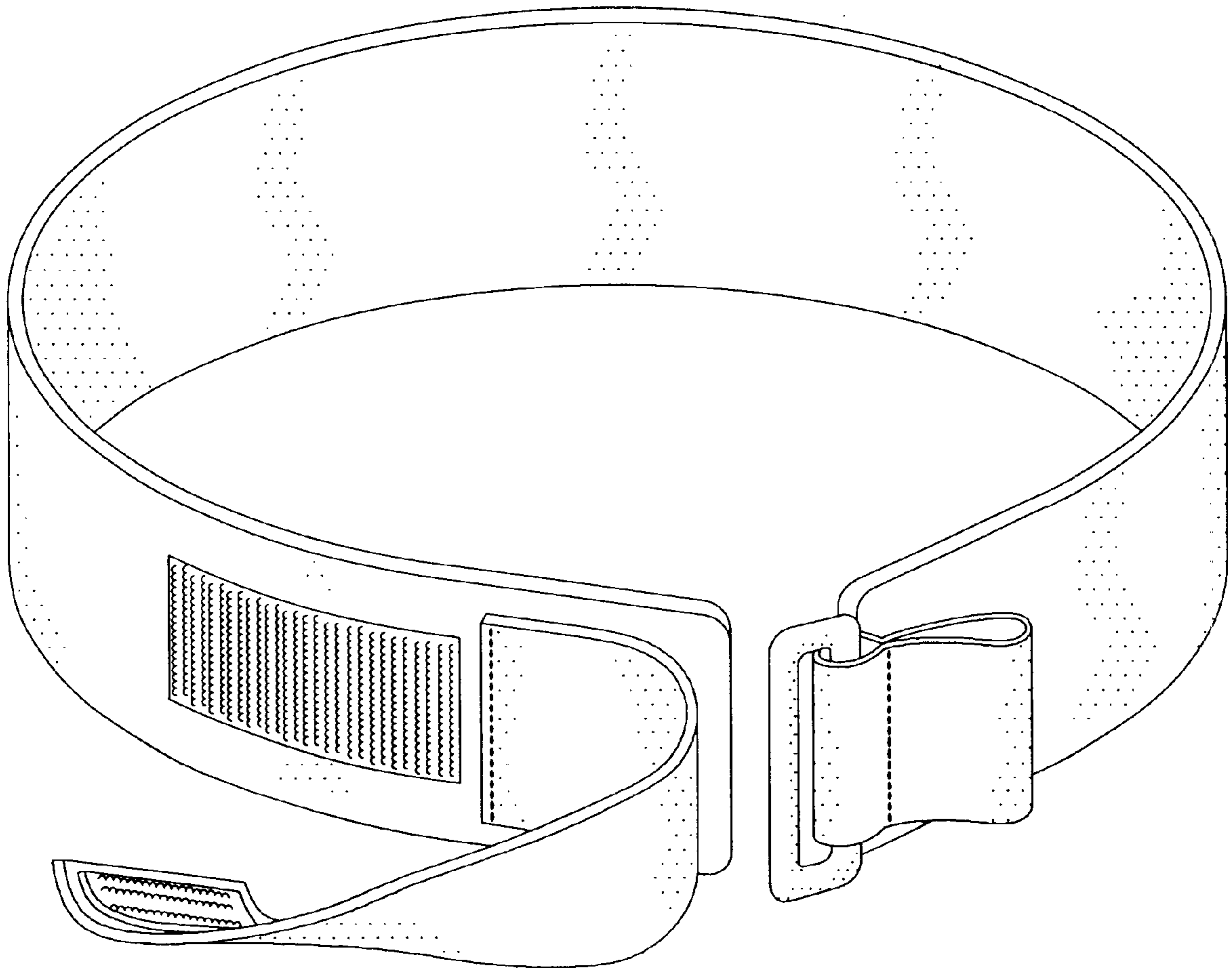


FIG. 1

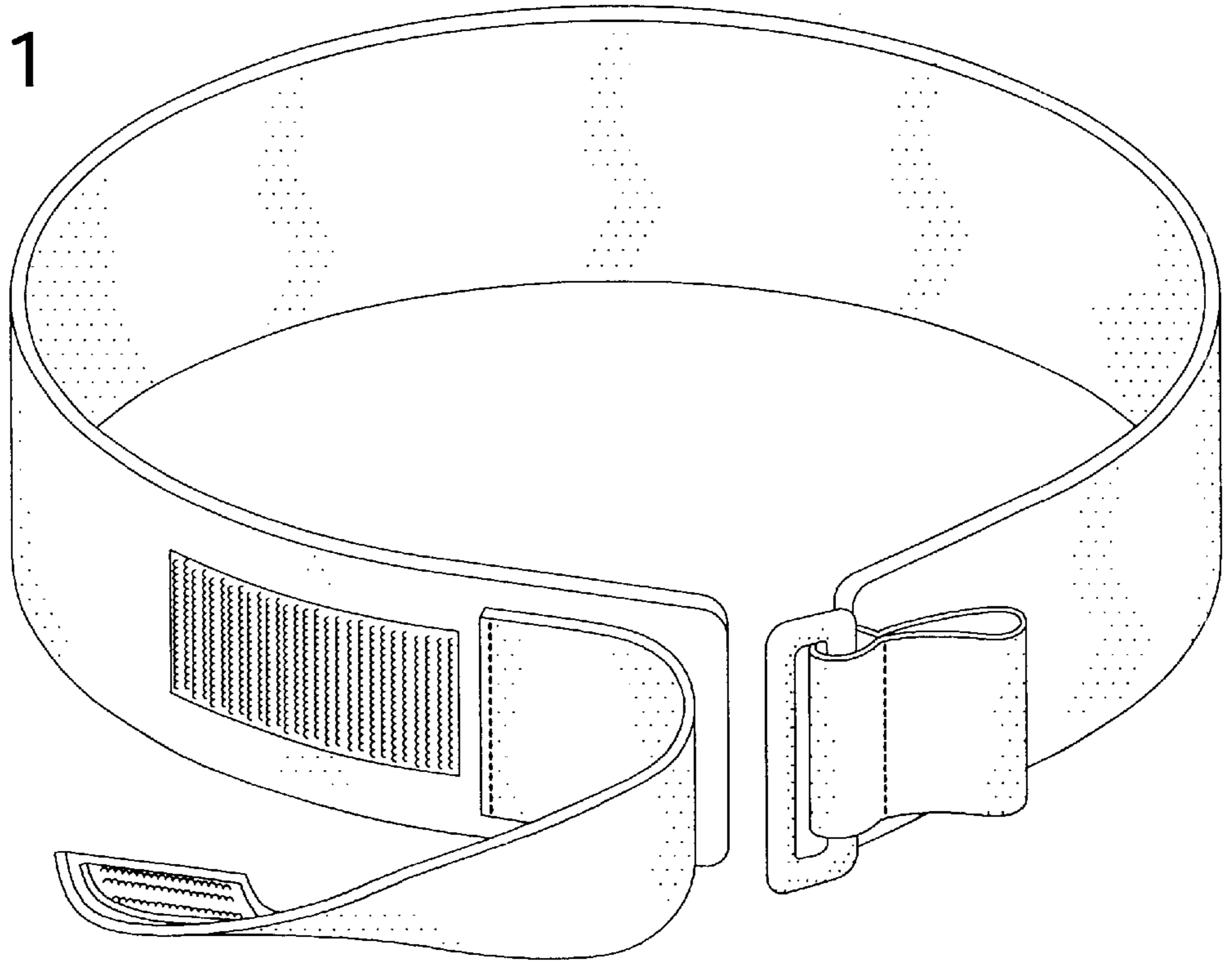
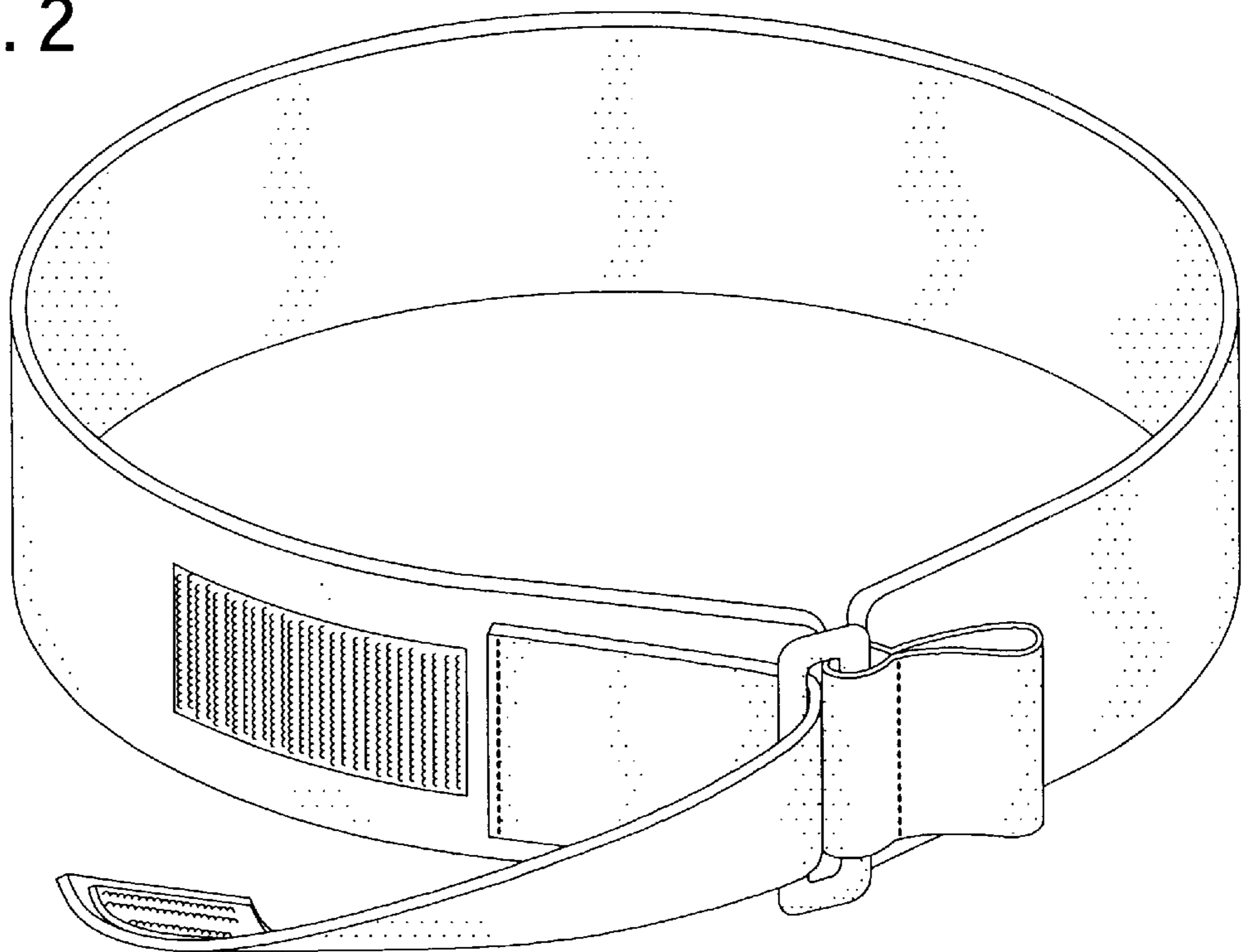


FIG. 2



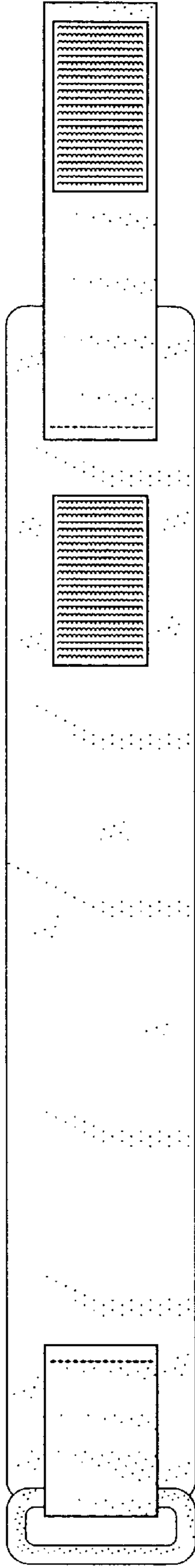


FIG. 3

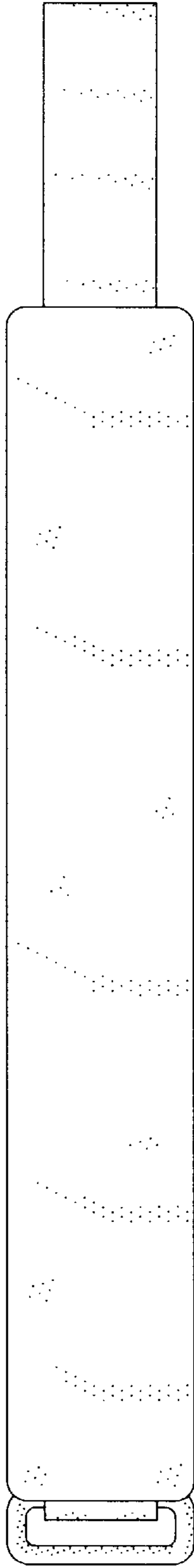


FIG. 4

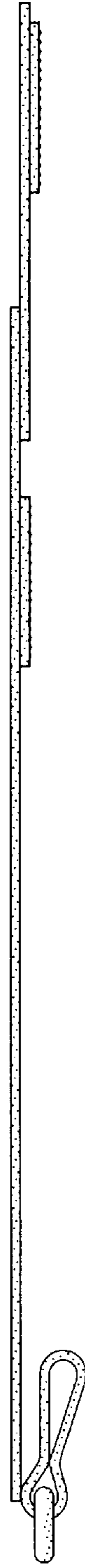


FIG. 5



FIG. 6

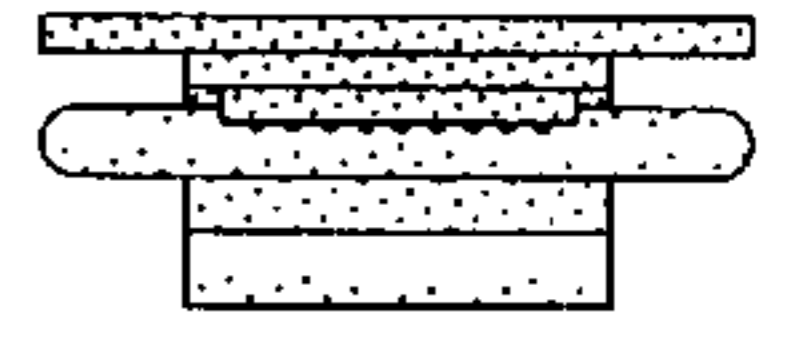


FIG. 7

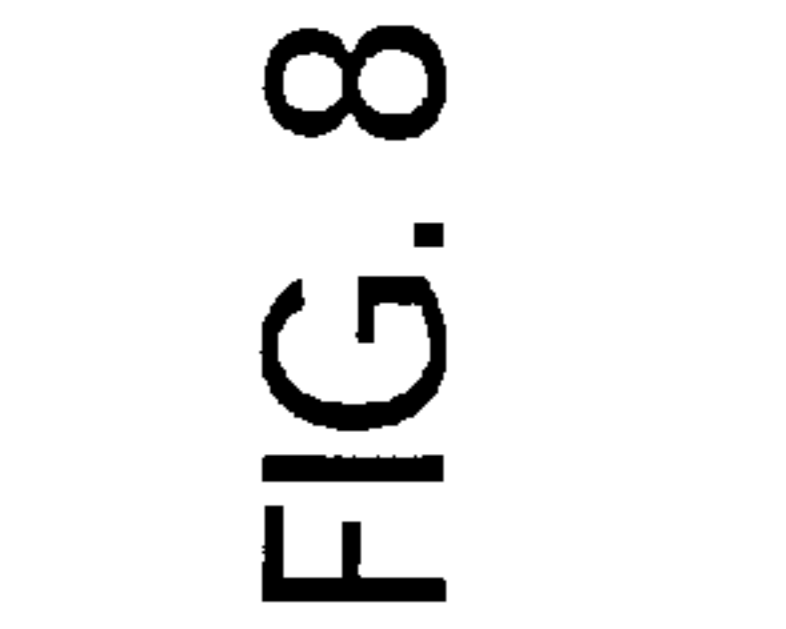


FIG. 8