



US00D456520S

(12) **United States Design Patent**
Suen

(10) **Patent No.:** **US D456,520 S**

(45) **Date of Patent:** **** Apr. 30, 2002**

(54) **COMBINED MUSCLE TRAINER AND BODY TONER BELT**

3,996,929 A * 12/1976 Mabuchi 601/124
D246,173 S * 10/1977 Levin D24/200
D290,095 S * 6/1987 Montalbano et al. D10/78

(75) Inventor: **Chi Ming Suen, Kowloon (HK)**

* cited by examiner

(73) Assignee: **Tohkai Precision Industrial Limited, Kowloon (HK)**

Primary Examiner—Stella Reid

(74) *Attorney, Agent, or Firm*—Salter & Michaelson

(**) Term: **14 Years**

(57) **CLAIM**

(21) Appl. No.: **29/139,316**

The ornamental design for a combined muscle trainer and body toner belt, as shown and described.

(22) Filed: **Mar. 28, 2001**

DESCRIPTION

(51) **LOC (7) Cl.** **21-02**

(52) **U.S. Cl.** **D24/200; D24/215**

(58) **Field of Search** D24/200, 215;
601/46, 48, 78, 79, 84, 85

FIG. 1 is a perspective view of a combined muscle trainer and body toner belt showing my new design;
FIG. 2 is a top plan view thereof;
FIG. 3 is a bottom plan view thereof;
FIG. 4 is a left side elevational view thereof;
FIG. 5 is a right side elevational view thereof;
FIG. 6 is a front elevational view thereof; and,
FIG. 7 is a rear elevational view thereof.

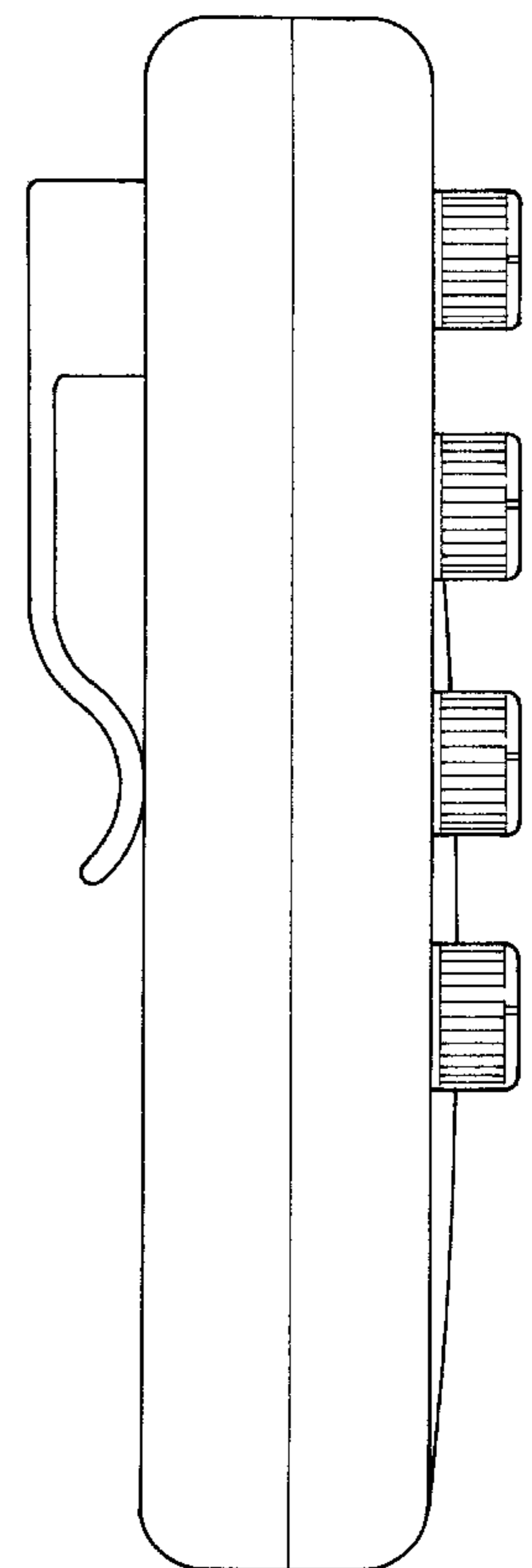
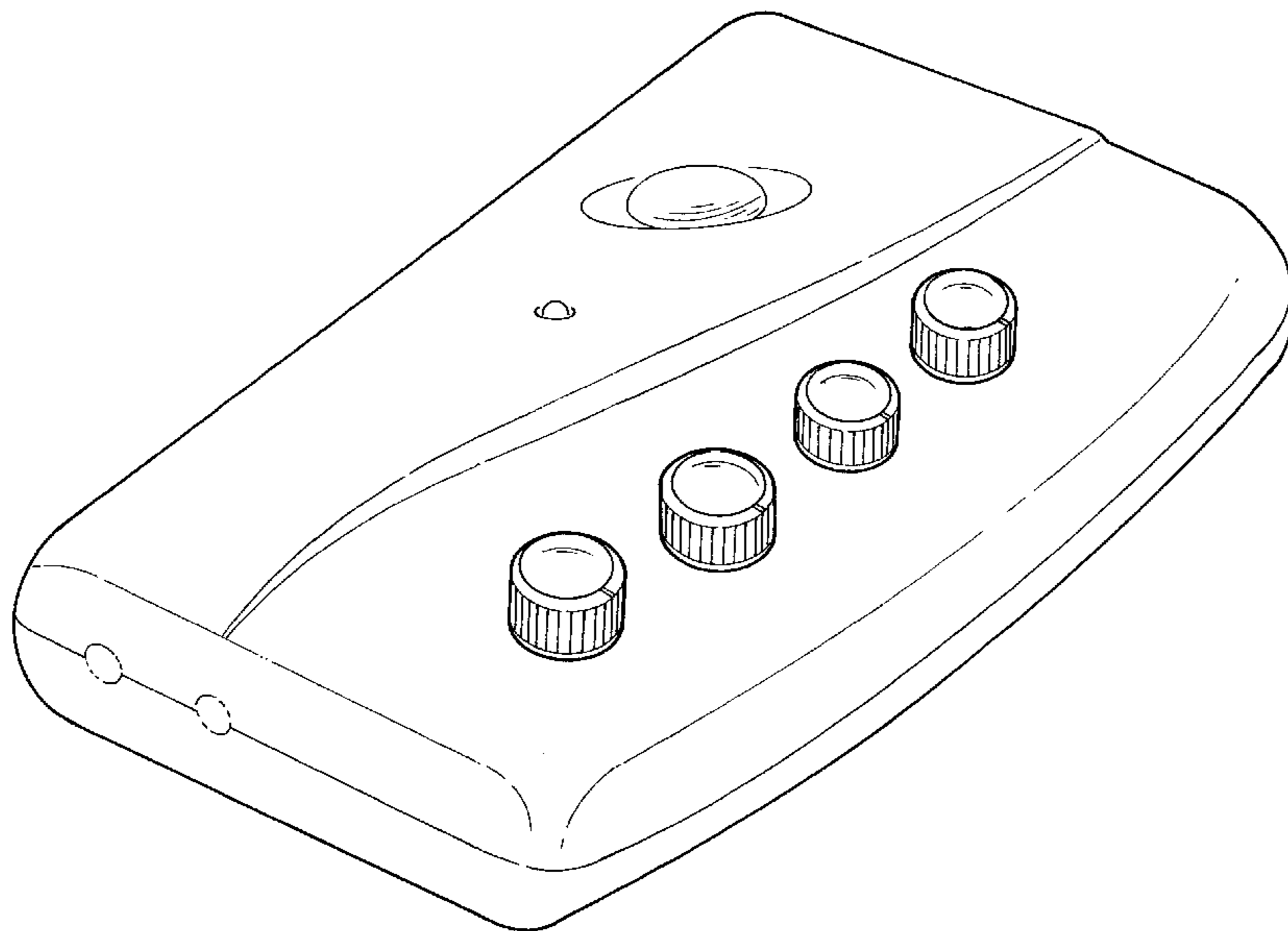
(56) **References Cited**

U.S. PATENT DOCUMENTS

D193,964 S * 10/1962 Gilman D24/200
D214,656 S * 7/1969 Reinecke et al. D24/200
D237,221 S * 10/1975 McNair D24/215
D240,463 S * 7/1976 Jordan D24/200 X

The portions shown in broken lines are included for illustrative purposes only and form no part of the claimed design.

1 Claim, 5 Drawing Sheets



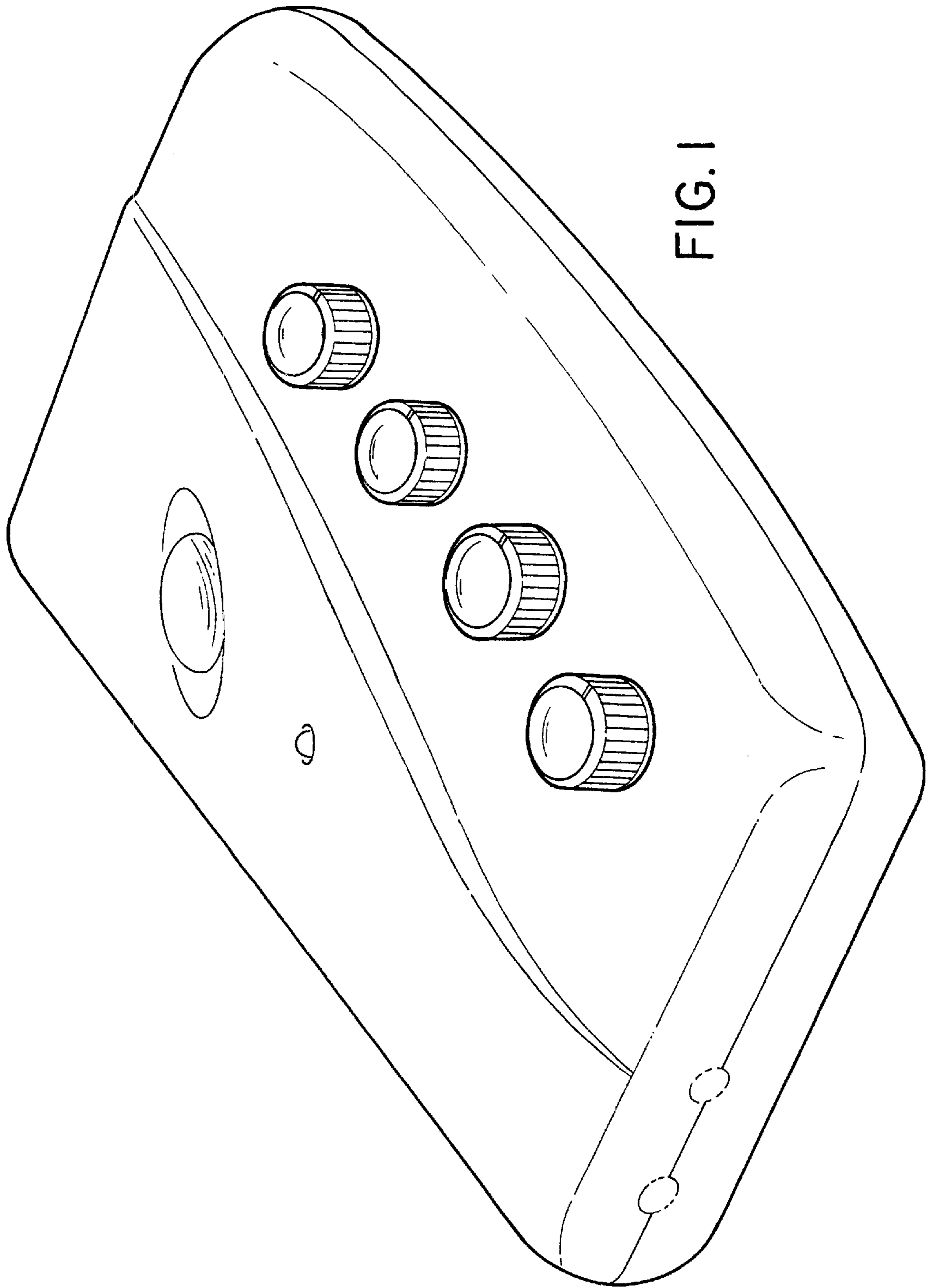


FIG. 1

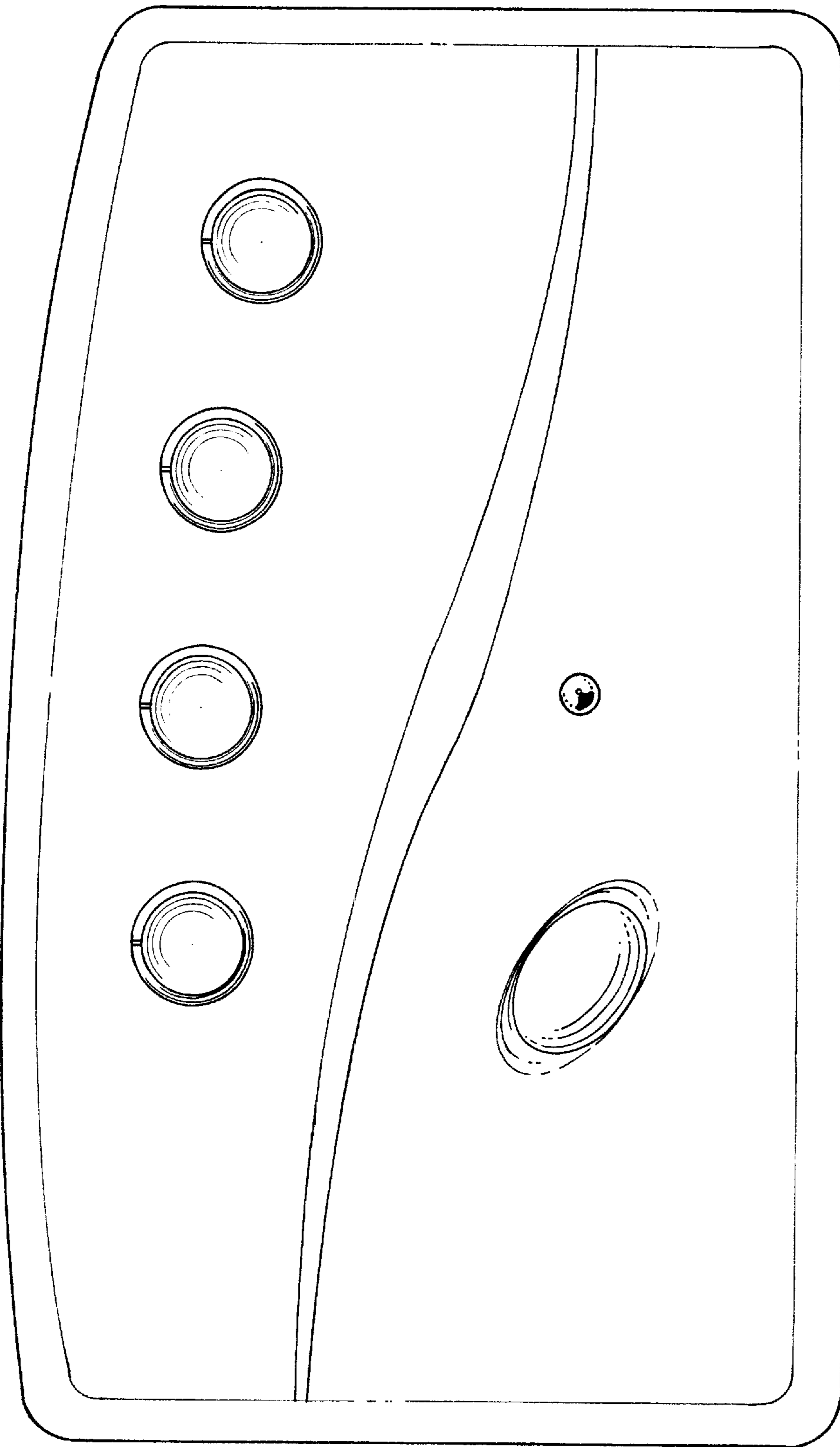


FIG.2

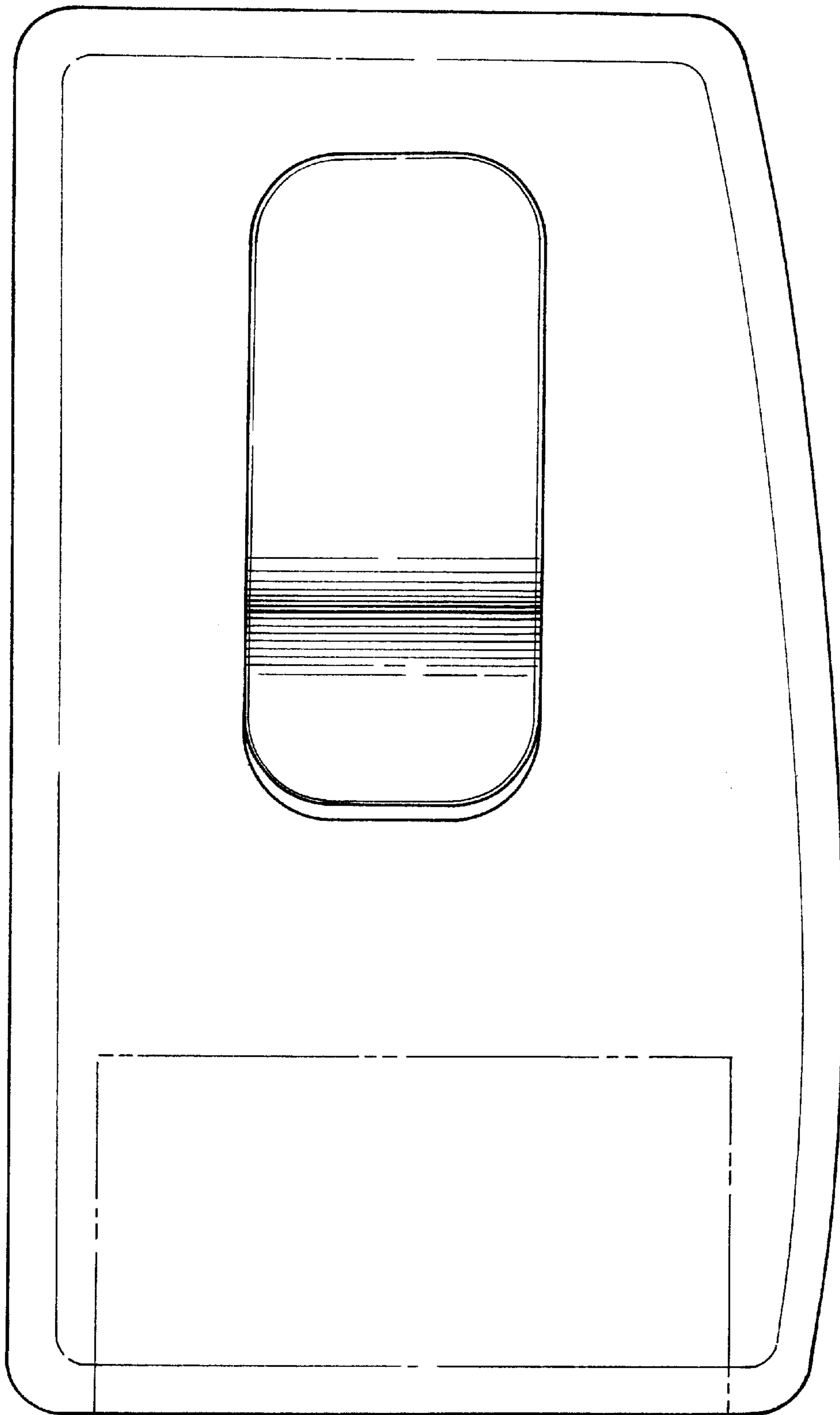


FIG. 3

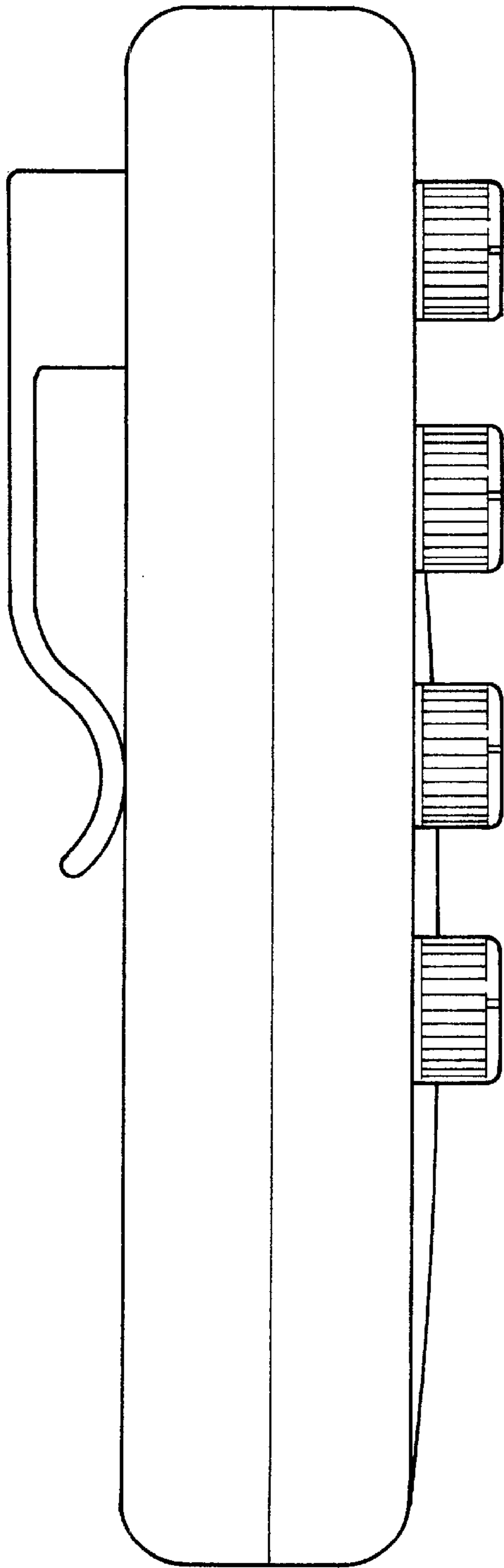


FIG. 4

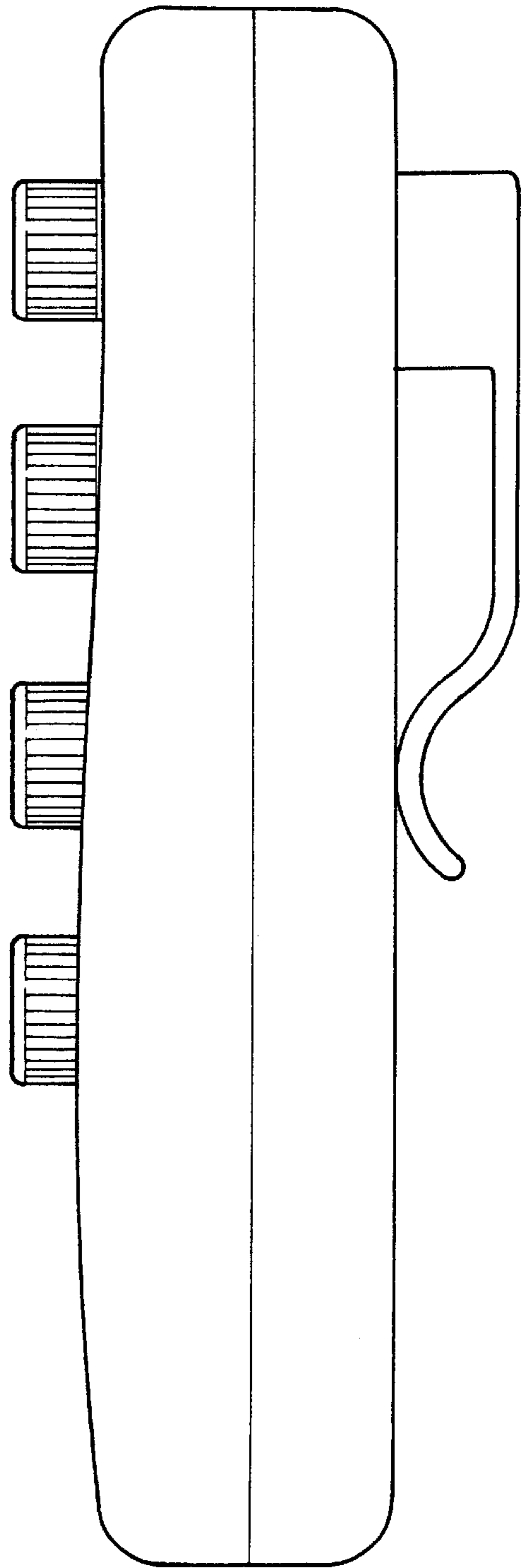


FIG. 5

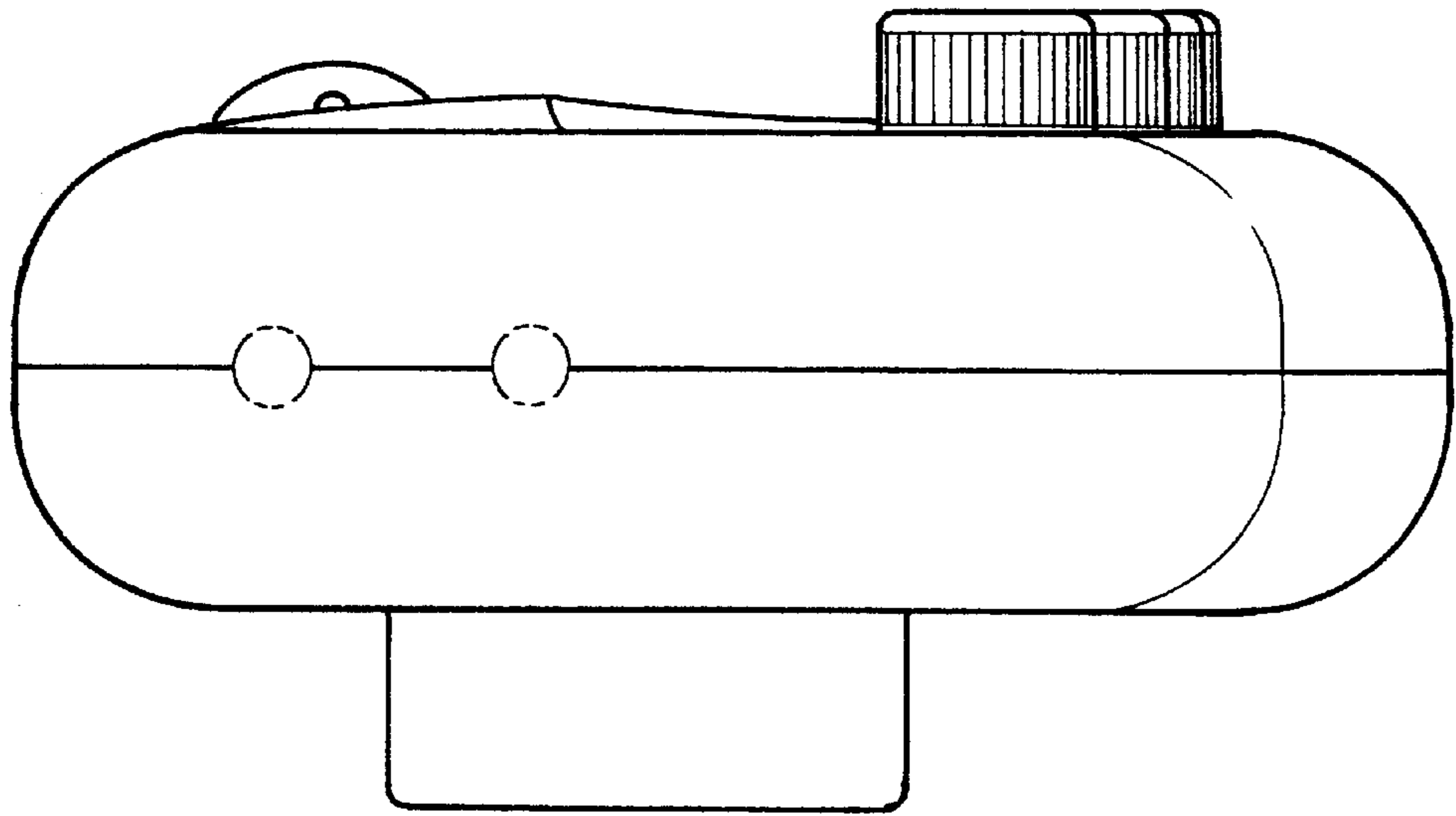


FIG. 6

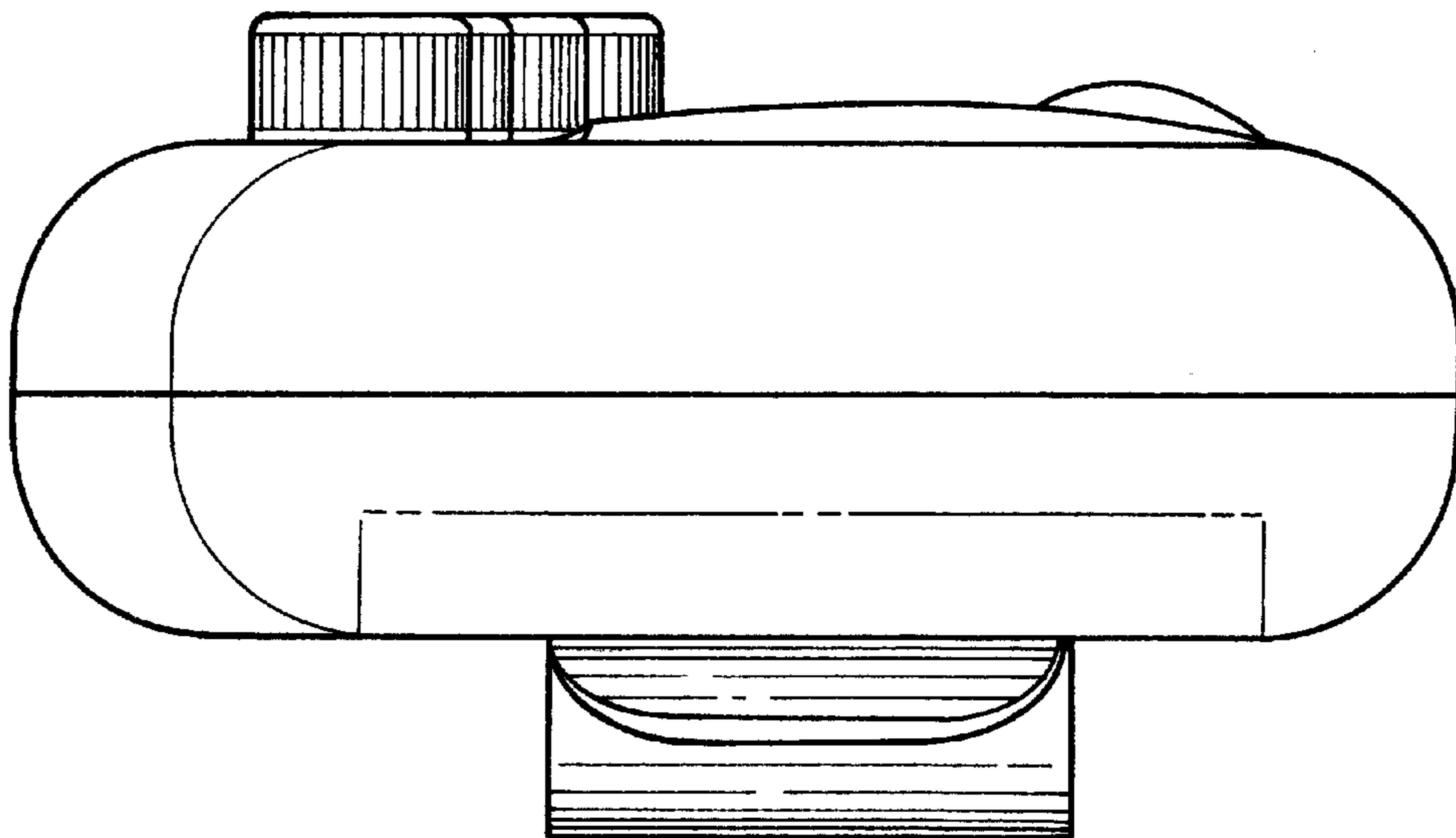


FIG. 7