



US00D456519S

(12) **United States Design Patent**
Lowe

(10) **Patent No.:** **US D456,519 S**

(45) **Date of Patent:** **** Apr. 30, 2002**

(54) **STABILIZER FOR A LIMB DURING
INTRAVENOUS FLUID DELIVERY**

(76) **Inventor:** **Richard Dean Lowe**, 2324 Raintree
Dr., Brea, CA (US) 92821

(**) **Term:** **14 Years**

(21) **Appl. No.:** **29/147,273**

(22) **Filed:** **Aug. 25, 2001**

(51) **LOC (7) Cl.** **24-04**

(52) **U.S. Cl.** **D24/190**

(58) **Field of Search** D24/190, 107;
602/5, 20; 128/877, 878, 881, 882, DIG. 26

(56) **References Cited**

U.S. PATENT DOCUMENTS

3,256,880 A	*	6/1966	Caypinar	128/877
3,722,508 A	*	3/1973	Roberts	128/877
3,812,851 A	*	5/1974	Rodriguez	128/877
4,503,849 A	*	3/1985	Morgan et al.	128/877

5,025,801 A	*	6/1991	Callaway	128/877
5,263,497 A	*	11/1993	Grabenkort et al.	128/877
5,728,053 A	*	3/1998	Calvert	602/5
5,845,643 A	*	12/1998	Vergano et al.	128/877

* cited by examiner

Primary Examiner—Stella Reid

(74) *Attorney, Agent, or Firm*—William Patrick Waters

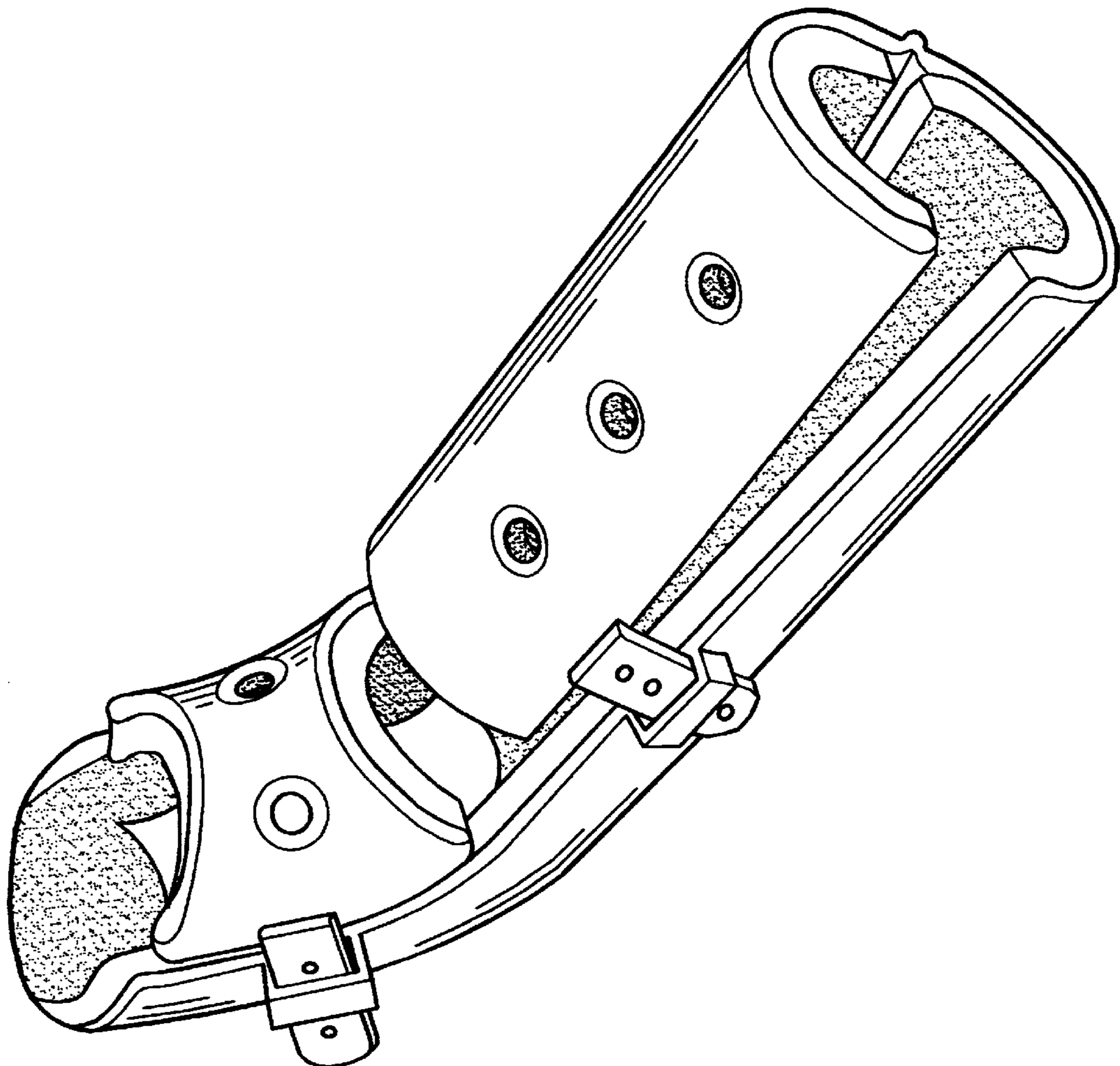
(57) **CLAIM**

The ornamental design for a stabilizer for a limb during intravenous fluid delivery, as shown.

DESCRIPTION

FIG. 1 is a front perspective view showing the new design; FIG. 2 is a bottom plan view thereof; FIG. 3 is a top plan view thereof; FIG. 4 is a left side elevational view thereof; FIG. 5 is a left end view thereof; FIG. 6 is a right end elevational view thereof; and, FIG. 7 is a right side elevational view thereof.

1 Claim, 3 Drawing Sheets



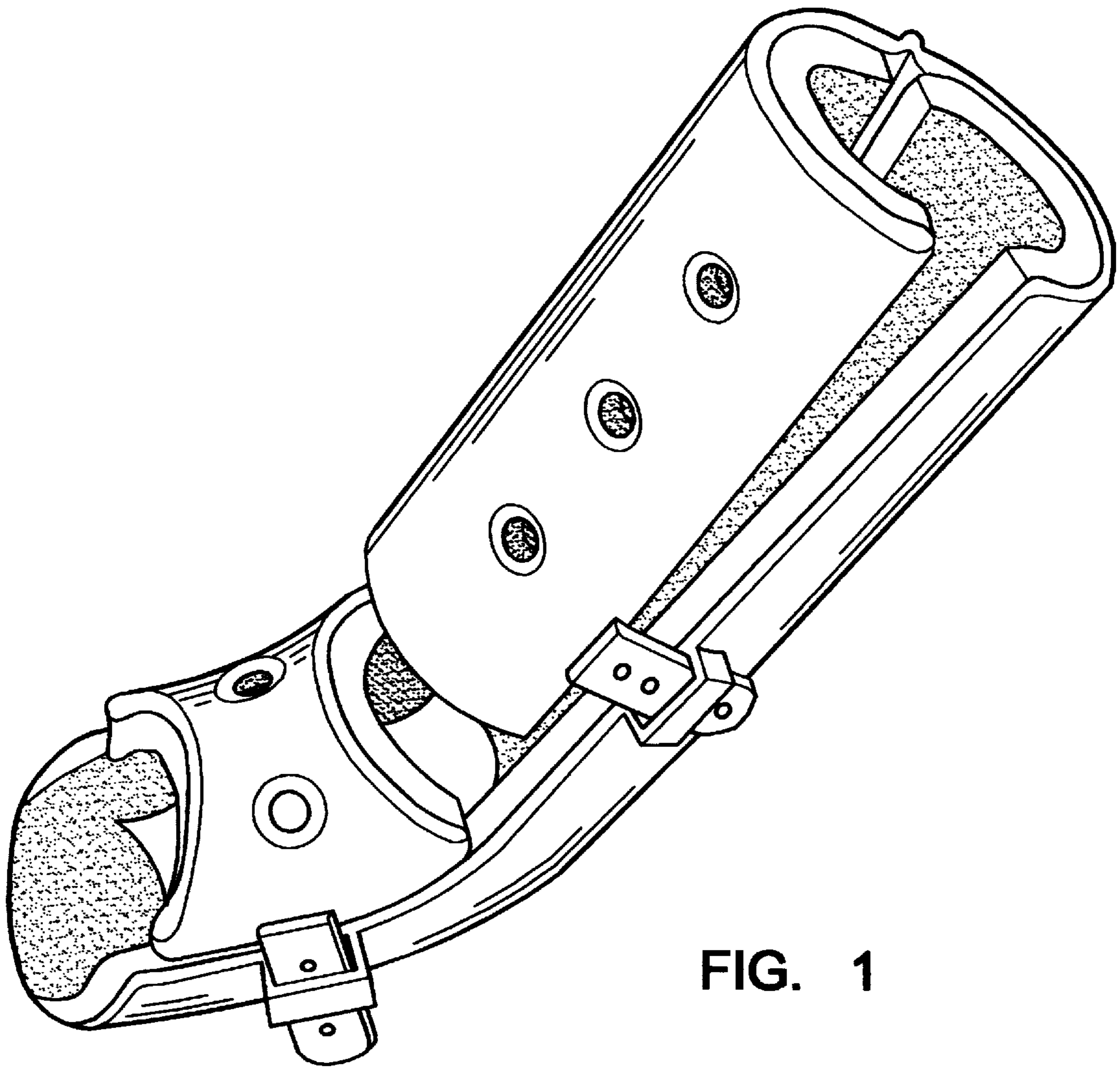


FIG. 1

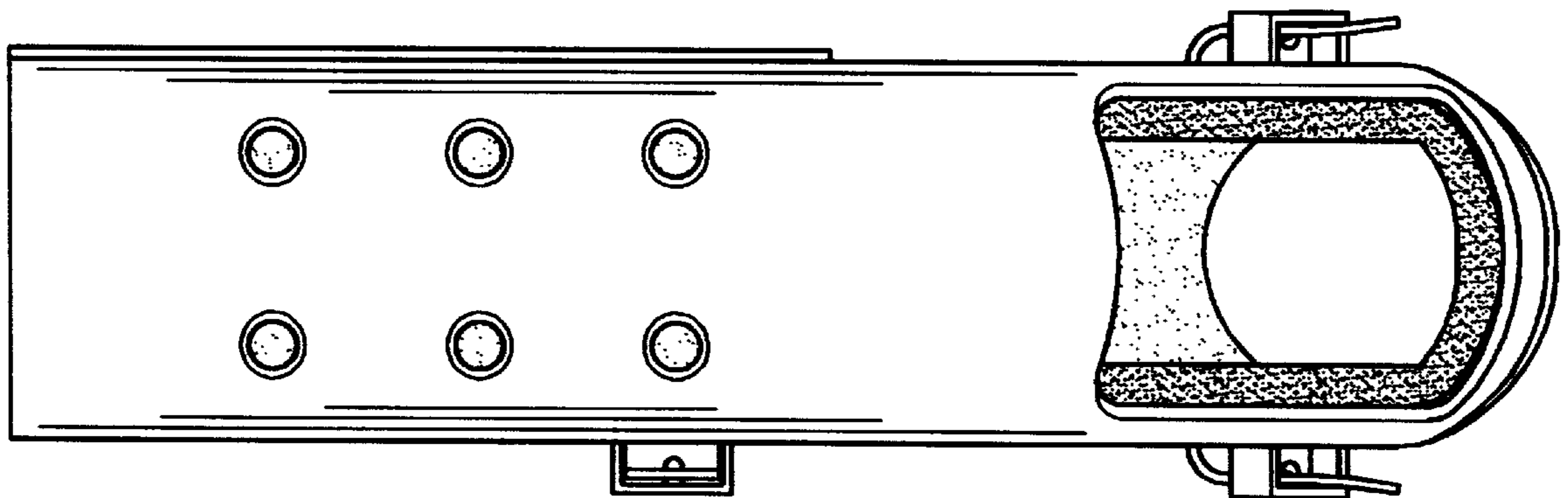


FIG. 2

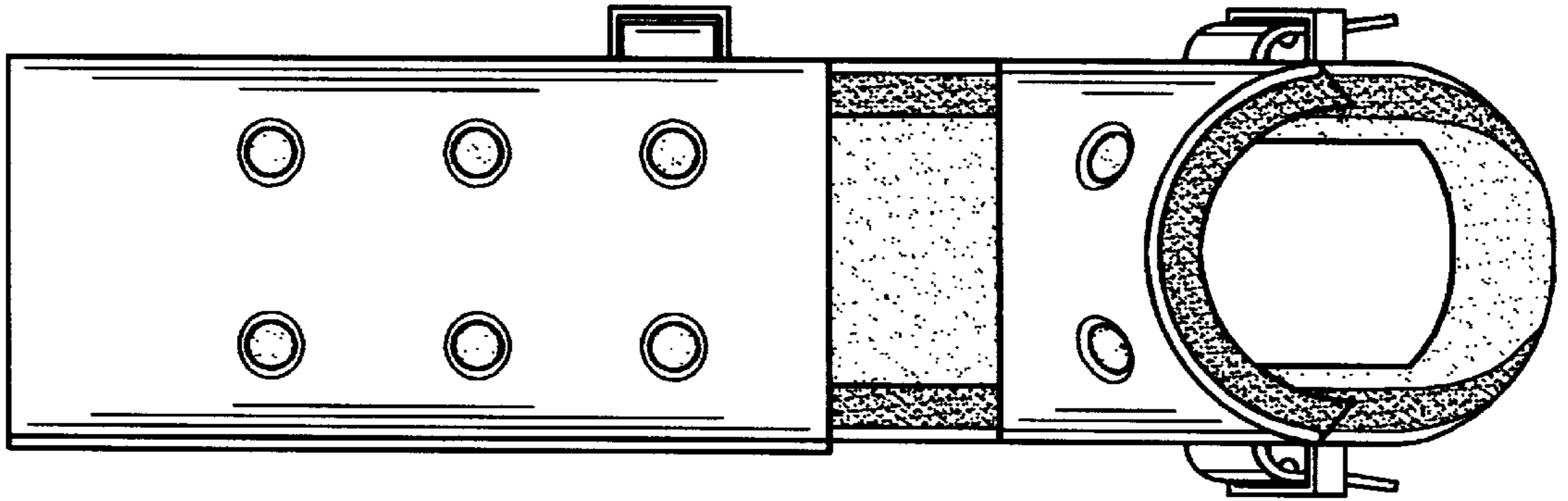


FIG. 3

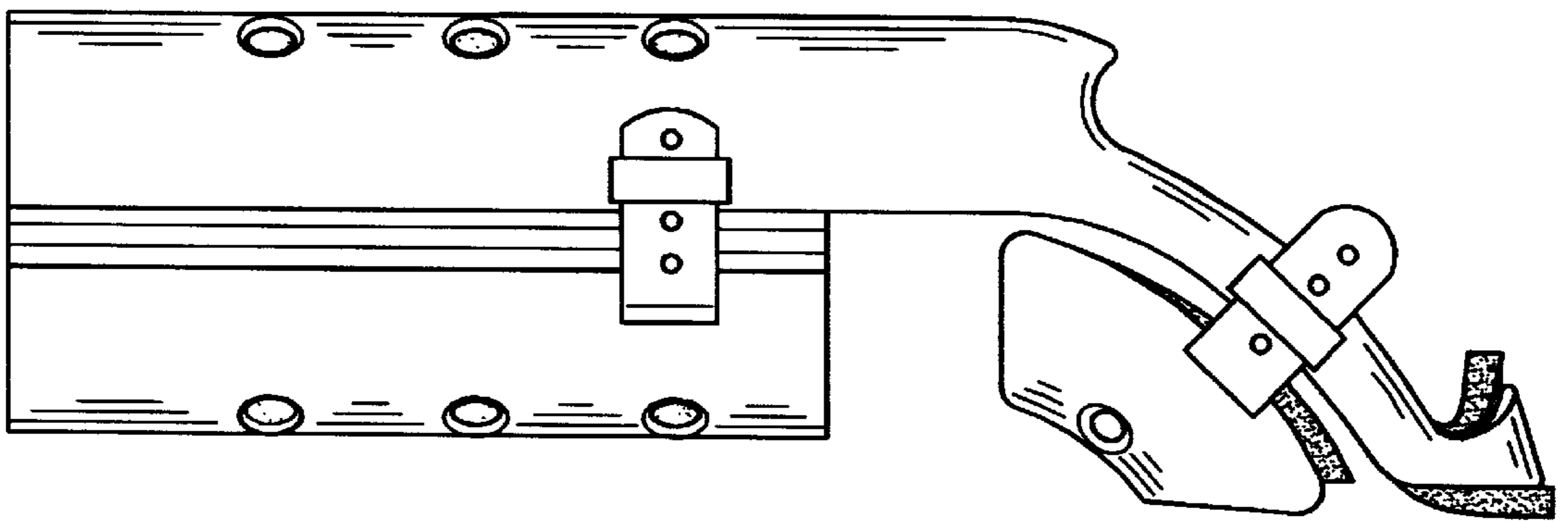


FIG. 4

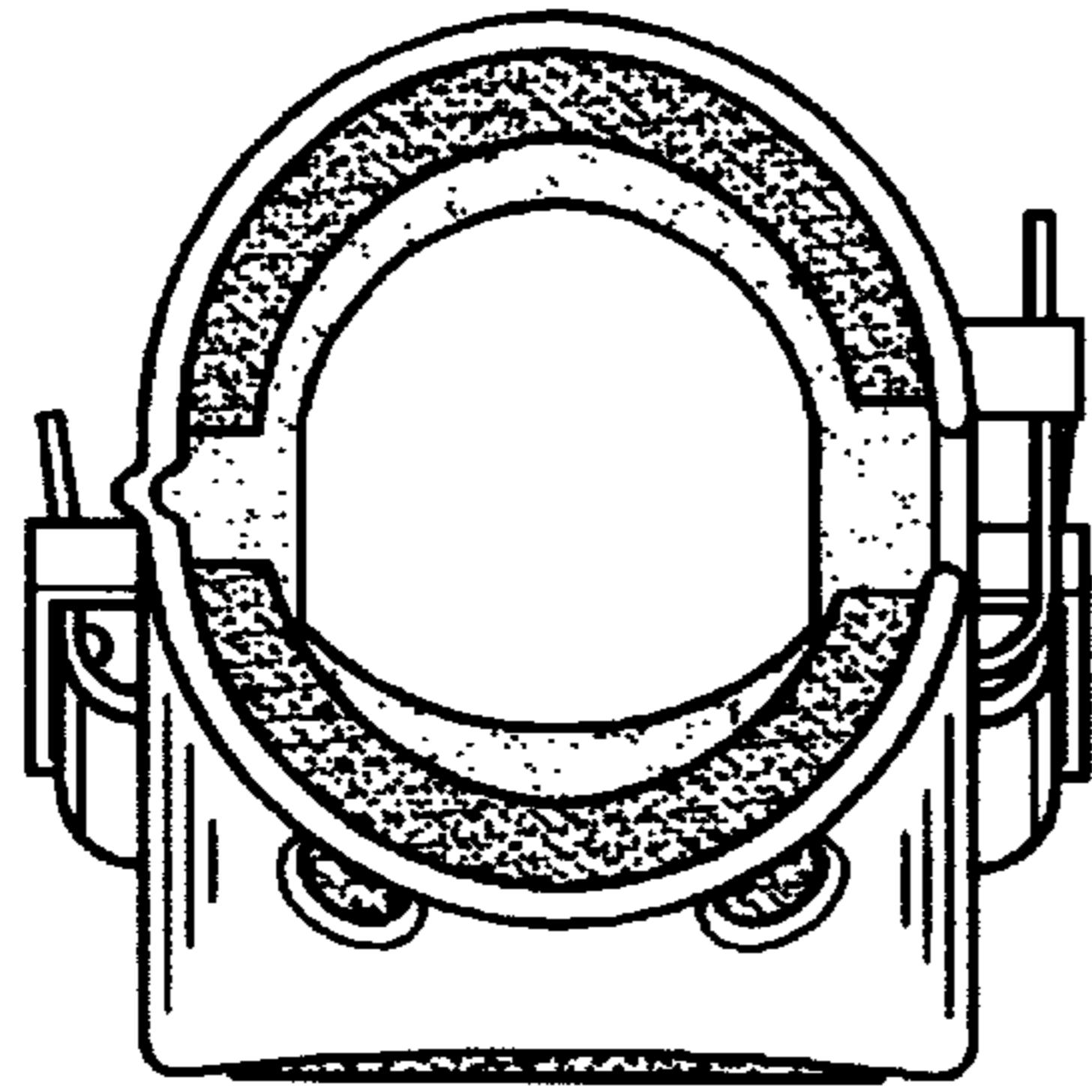


FIG. 5

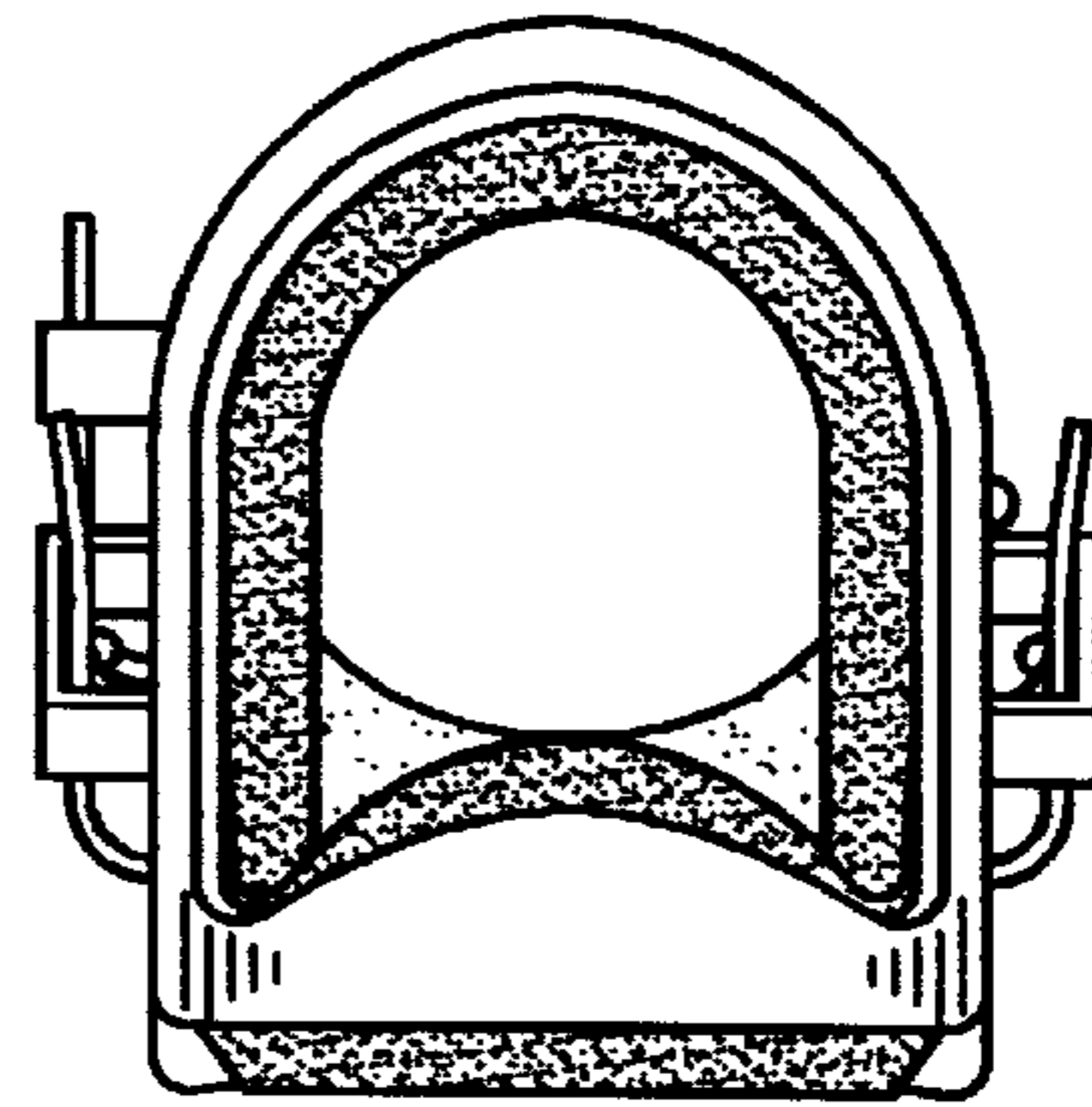


FIG. 6

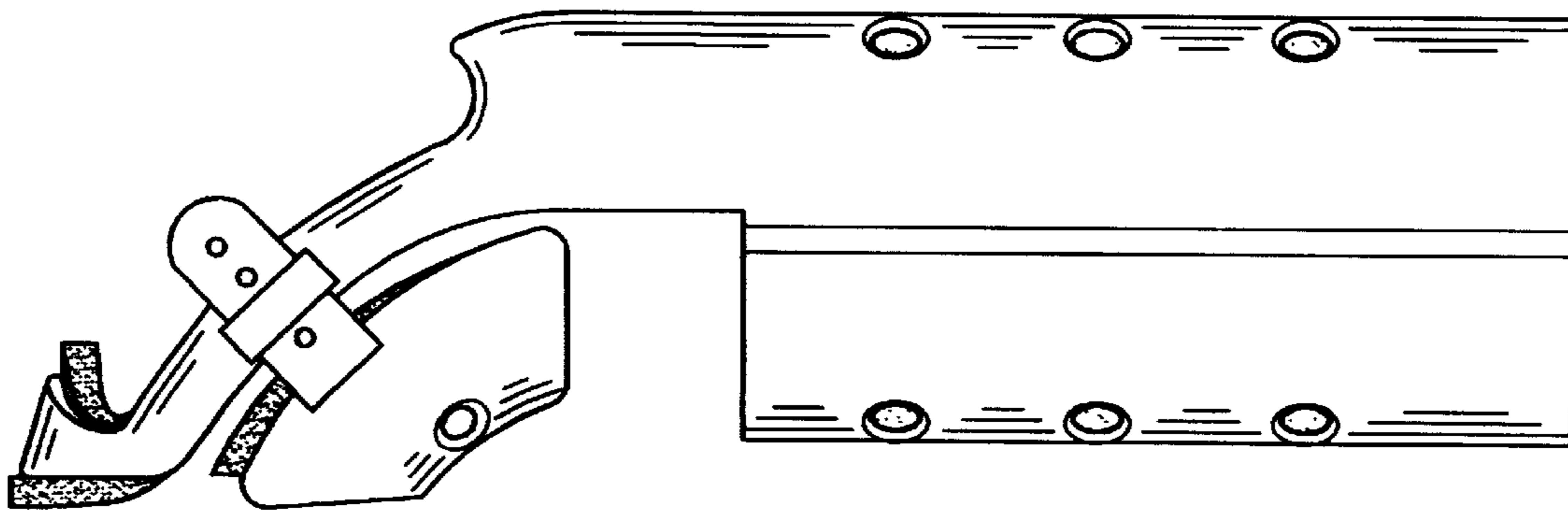


FIG. 7