



US00D456518S

(12) **United States Design Patent**  
**Ioannides**

(10) **Patent No.:** **US D456,518 S**

(45) **Date of Patent:** **\*\* Apr. 30, 2002**

(54) **CRUCIAL LIGAMENT SURGICAL DRAPE**

(75) **Inventor:** **George Ioannides**, East Greenwich, RI (US)

(73) **Assignees:** **Catharina Whernman; Isabella Whernman; William Whernman**, all of East Greenwich, RI (US)

(\*\*) **Term:** **14 Years**

(21) **Appl. No.:** **29/144,886**

(22) **Filed:** **Jul. 12, 2001**

(51) **LOC (7) Cl.** ..... **24-99**

(52) **U.S. Cl.** ..... **D24/190**

(58) **Field of Search** ..... D6/595, 596, 597, D6/599, 601, 602, 603, 604, 605, 606, 608; D24/184, 189, 192, 190, 114, 914, 915; 128/849, 853, 854, 856

(56) **References Cited**

**U.S. PATENT DOCUMENTS**

921,435 A	*	5/1909	Miller	.....	128/856
1,709,046 A	*	4/1929	Throgmorton	.....	5/650
2,625,453 A	*	1/1953	Lampe et al.	.....	5/650
3,164,152 A	*	1/1965	Nicoll	.....	D24/192
3,769,971 A	*	11/1973	Collins	.....	128/856
3,799,161 A		3/1974	Collins		
3,882,859 A		5/1975	Ericson		
D235,927 S	*	7/1975	Moore, II	.....	D24/192
3,989,040 A		11/1976	Lofgren et al.		
4,153,054 A		5/1979	Boone		
4,308,864 A	*	1/1982	Small et al.	.....	128/856
4,390,015 A	*	6/1983	Clements	.....	5/650
4,679,552 A		7/1987	Caspari		
D292,529 S	*	10/1987	Saare	.....	D24/190

4,966,167 A	*	10/1990	Jacobs et al.	.....	128/856
5,178,162 A		1/1993	Bose		
5,437,602 A		8/1995	Polyakov et al.		
5,579,552 A	*	12/1996	Henry	.....	5/655
5,647,376 A		7/1997	Thompson		
D382,344 S	*	8/1997	Swedberg et al.	.....	D24/190
D389,582 S	*	1/1998	Bodenschatz et al.	.....	D24/190
5,720,712 A	*	2/1998	Joy et al.	.....	128/856
D405,884 S	*	2/1999	Roper	.....	D24/192
D436,177 S	*	1/2001	Miller	.....	D24/192
6,210,352 B1	*	4/2001	Williams et al.	.....	128/856
D444,879 S	*	7/2001	Rodgers	.....	D24/192

\* cited by examiner

*Primary Examiner*—Doris V. Coles

*Assistant Examiner*—T. Chase Nelson

(74) *Attorney, Agent, or Firm*—Salter & Michaelson

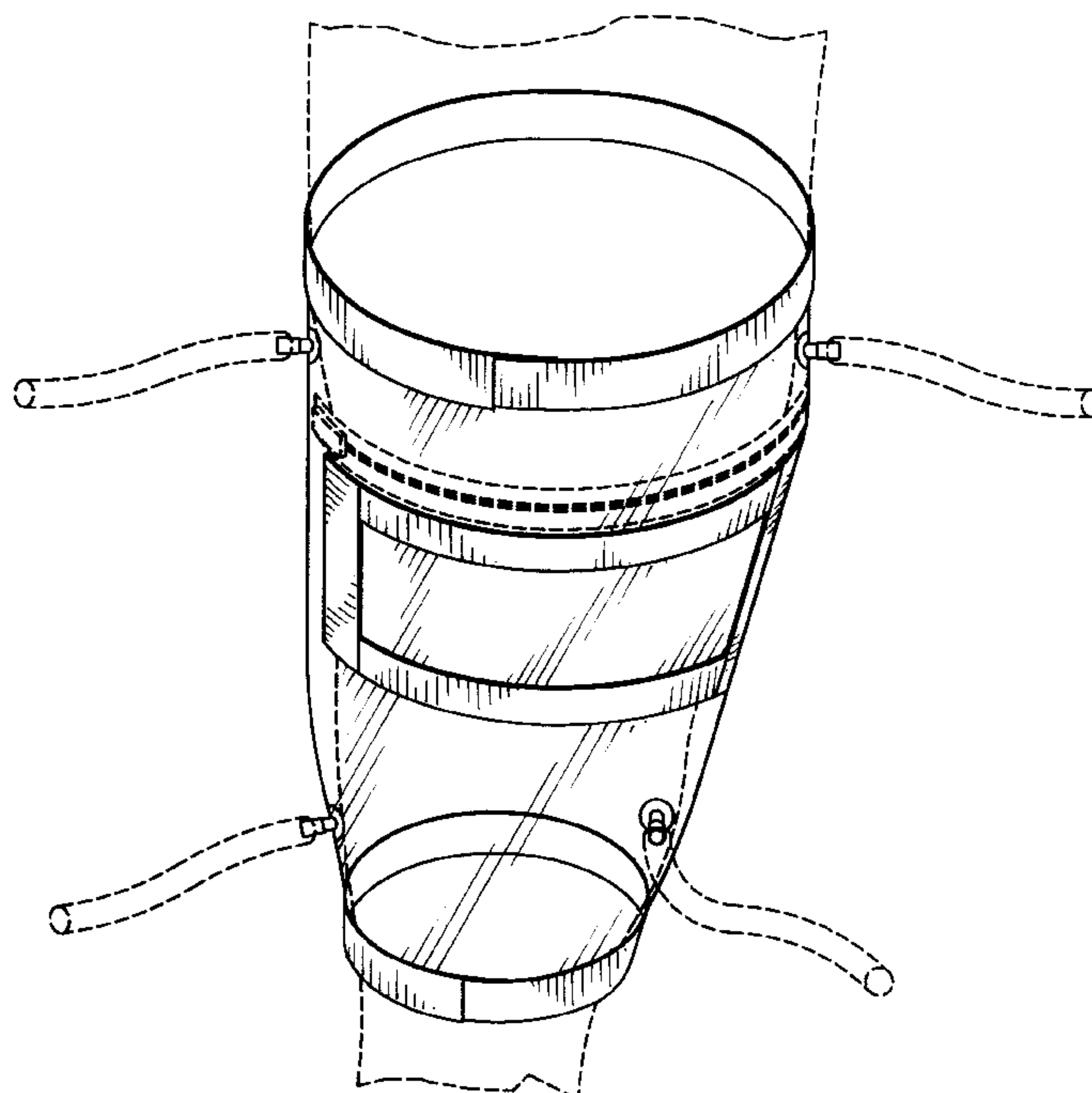
(57) **CLAIM**

The ornamental design for a crucial ligament surgical drape, as shown and described.

**DESCRIPTION**

FIG. 1 is a perspective view of a crucial ligament surgical drape showing my new design on a wearer's leg;  
 FIG. 2 is a perspective view thereof in partially collapsed position;  
 FIG. 3 is a front elevational view thereof;  
 FIG. 4 is a rear elevational view thereof;  
 FIG. 5 is a right edge view thereof;  
 FIG. 6 is a left edge view thereof;  
 FIG. 7 is a top plan view thereof; and,  
 FIG. 8 is a bottom plan view thereof.  
 The portions shown in broken lines in FIGS. 1, 2 and 3 are for information only and form no part of the instant design.

**1 Claim, 4 Drawing Sheets**



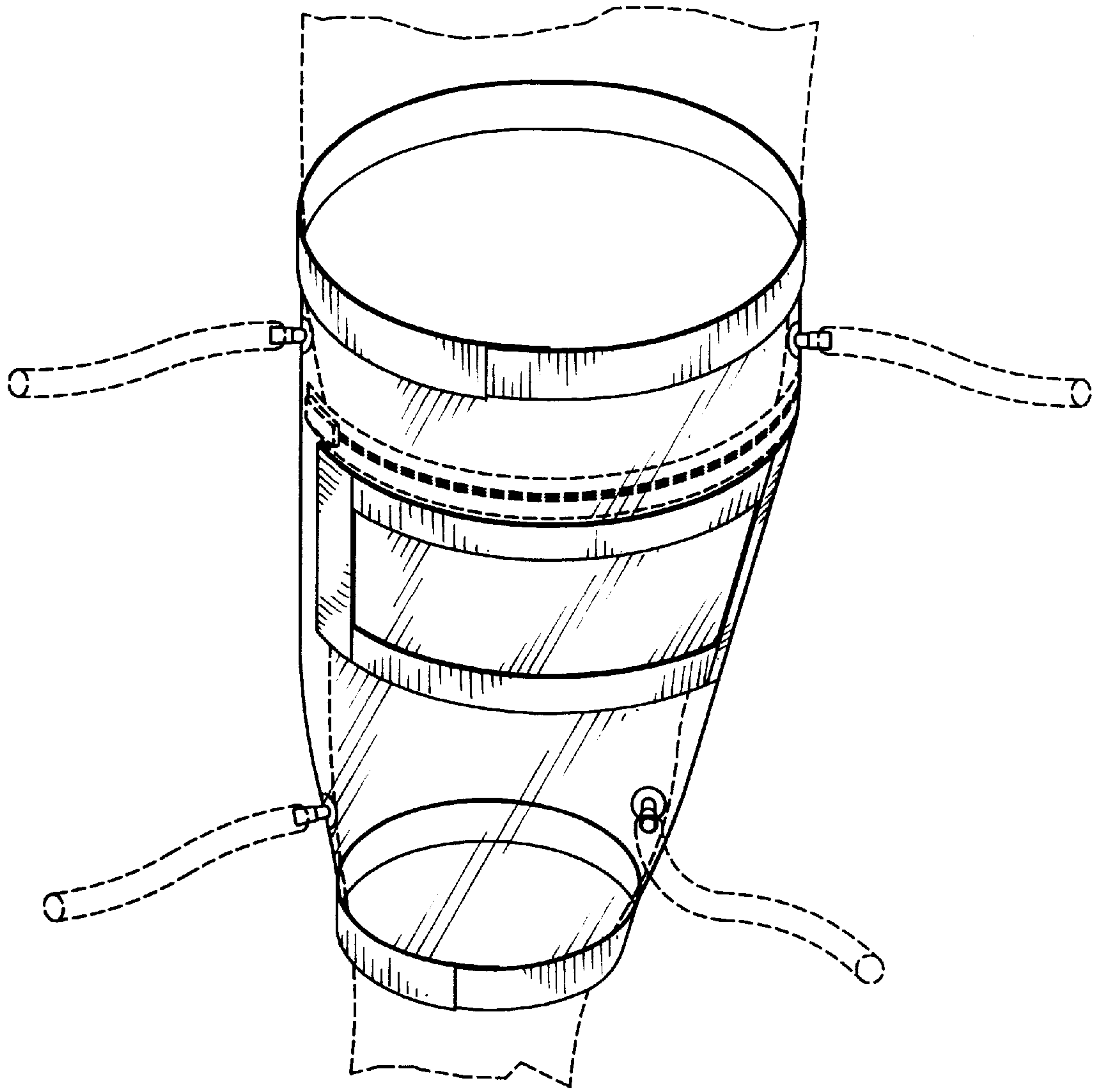


FIG. 1

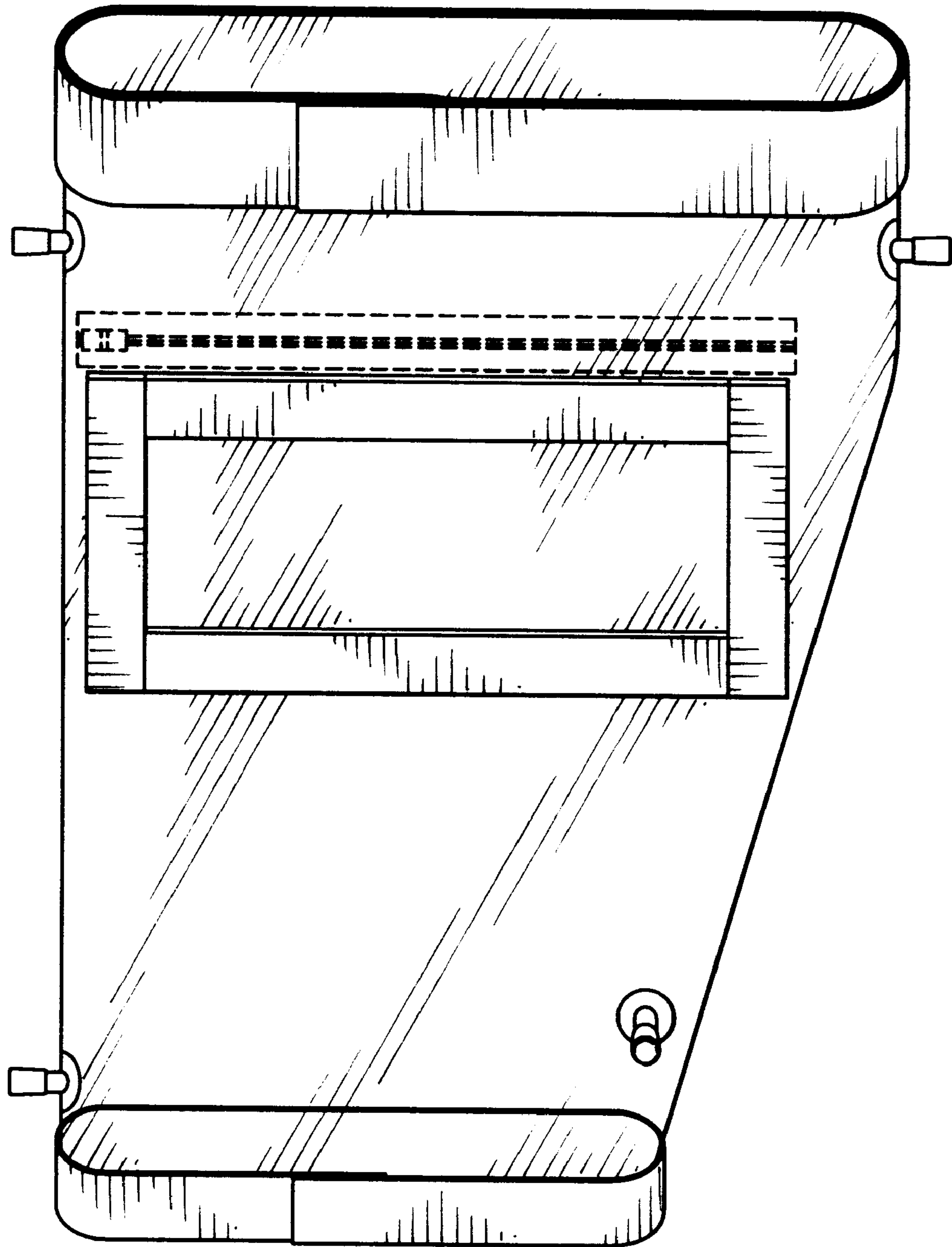


FIG. 2

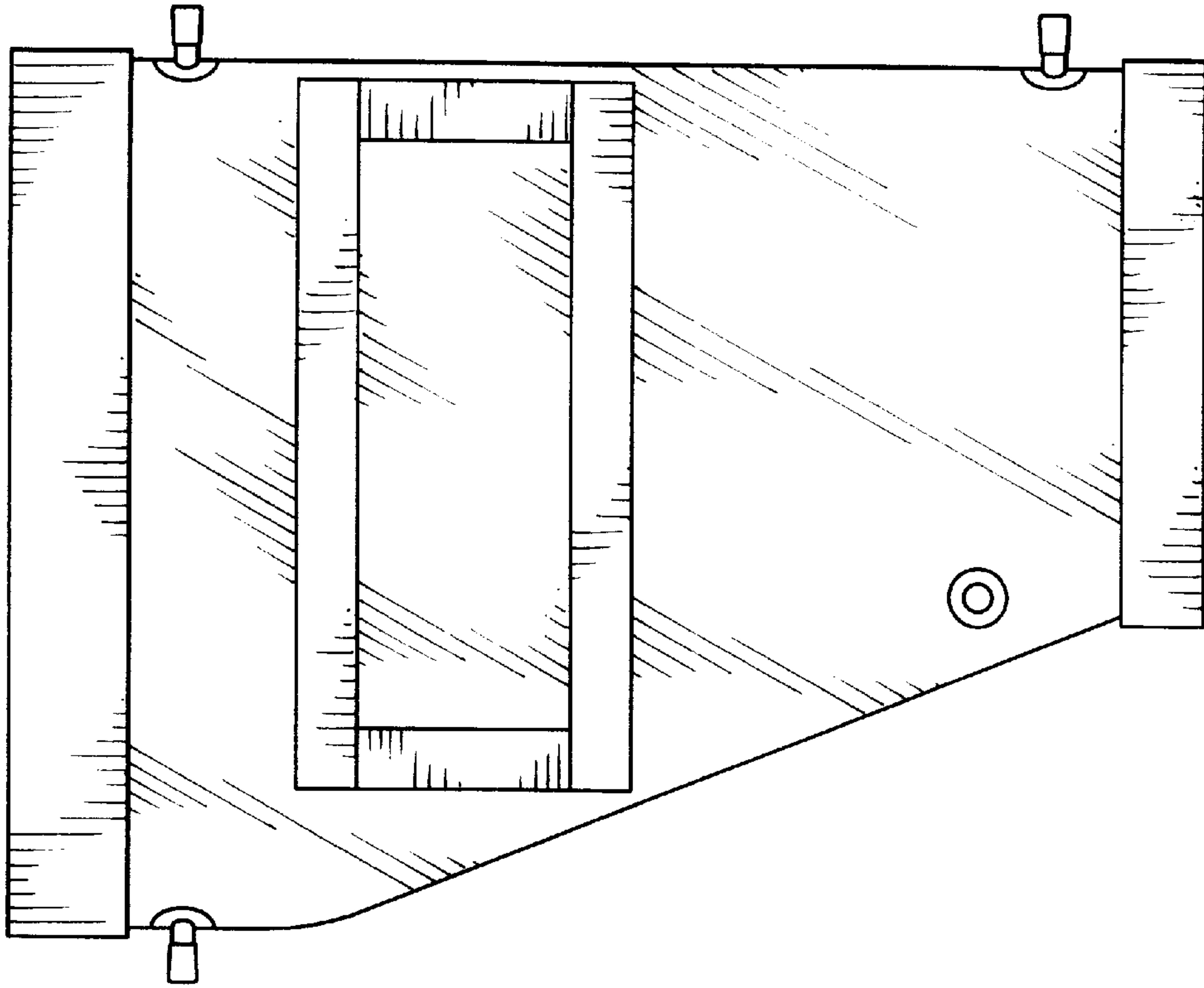


FIG. 4

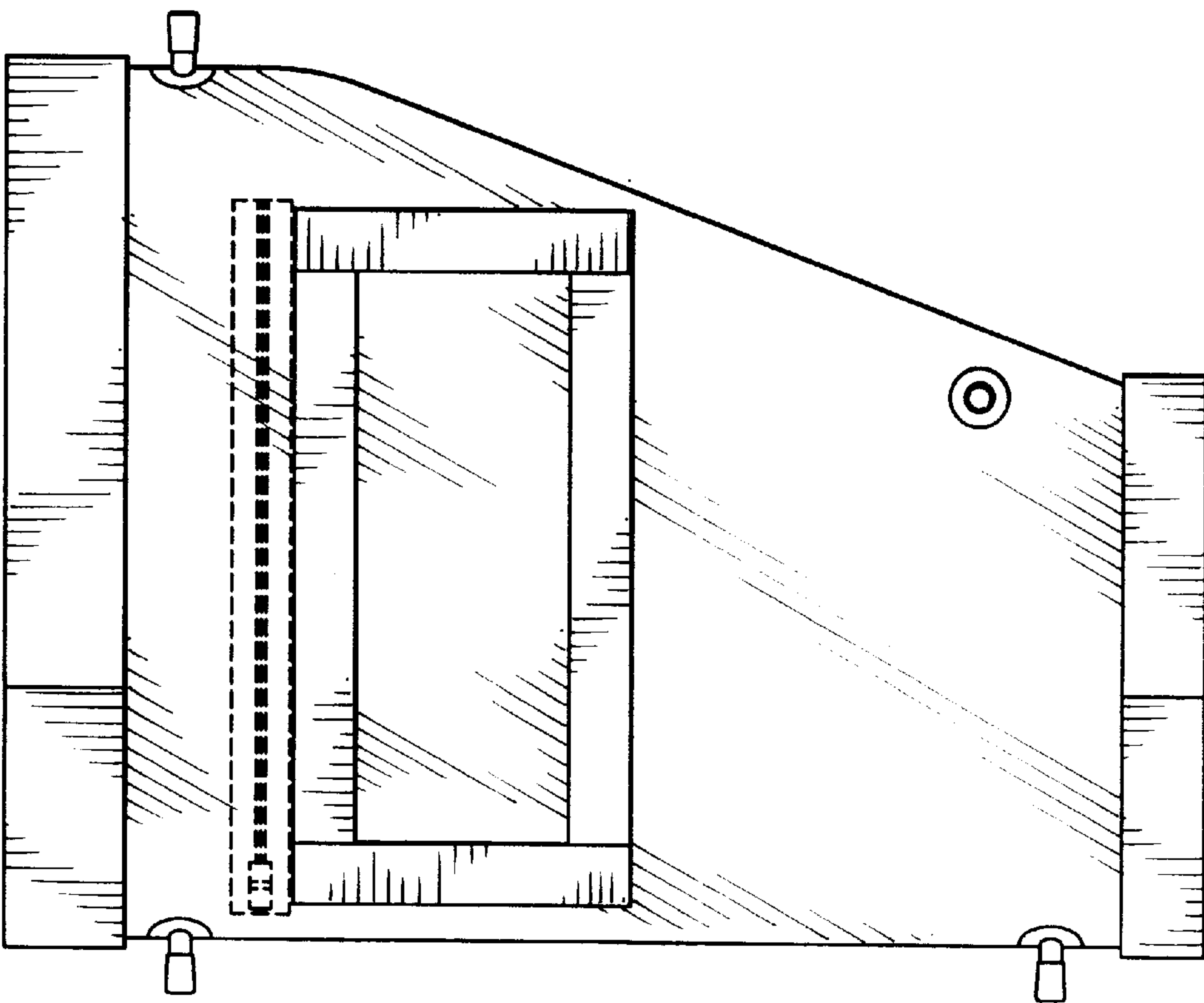


FIG. 3



FIG. 5



FIG. 6



FIG. 7

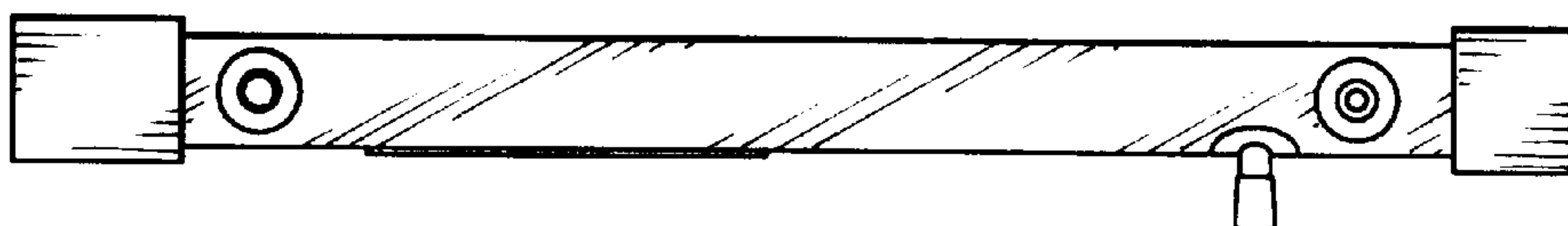


FIG. 8