



US00D456516S

(12) **United States Design Patent**
Cheshaek et al.

(10) **Patent No.:** **US D456,516 S**
(45) **Date of Patent:** **** Apr. 30, 2002**

(54) **PADDED FACE REST**

(76) Inventors: **Myron Cheshaek**, 6418 W. Parkway,
Ste. 1107, Eden Prairie, MN (US)
55344; **Ronald E. Tinsley**, 2944 Adams
St., Eugene, OR (US) 97405

(**) Term: **14 Years**

(21) Appl. No.: **29/140,261**

(22) Filed: **Apr. 13, 2001**

(51) **LOC (7) Cl.** **24-04**

(52) **U.S. Cl.** **D24/183**

(58) **Field of Search** D24/183; 5/630,
5/631, 632, 636, 637, 652, 638; D6/601

(56) **References Cited**

U.S. PATENT DOCUMENTS

4,259,757 A * 4/1981 Watson 5/637
D271,834 S * 12/1983 Huntsinger D6/601
4,504,050 A * 3/1985 Osborne 5/637

4,752,064 A * 6/1988 Voss 5/638
4,788,728 A * 12/1988 Lake 5/636
D404,237 S * 1/1999 Boyd D6/601
5,960,494 A * 10/1999 Gilliland 5/638

* cited by examiner

Primary Examiner—Stella Reid

(74) *Attorney, Agent, or Firm*—Robert E. Howard

(57) **CLAIM**

The ornamental design for a padded face rest, as shown and described.

DESCRIPTION

FIG. 1 is a top plan view of a padded face rest showing the design;
FIG. 2 is a bottom plan view thereof;
FIG. 3 is a top side perspective view thereof;
FIG. 4 is a left side elevation, right side elevation, and back elevation thereof; and,
FIG. 5 is a front elevation view thereof.

1 Claim, 2 Drawing Sheets

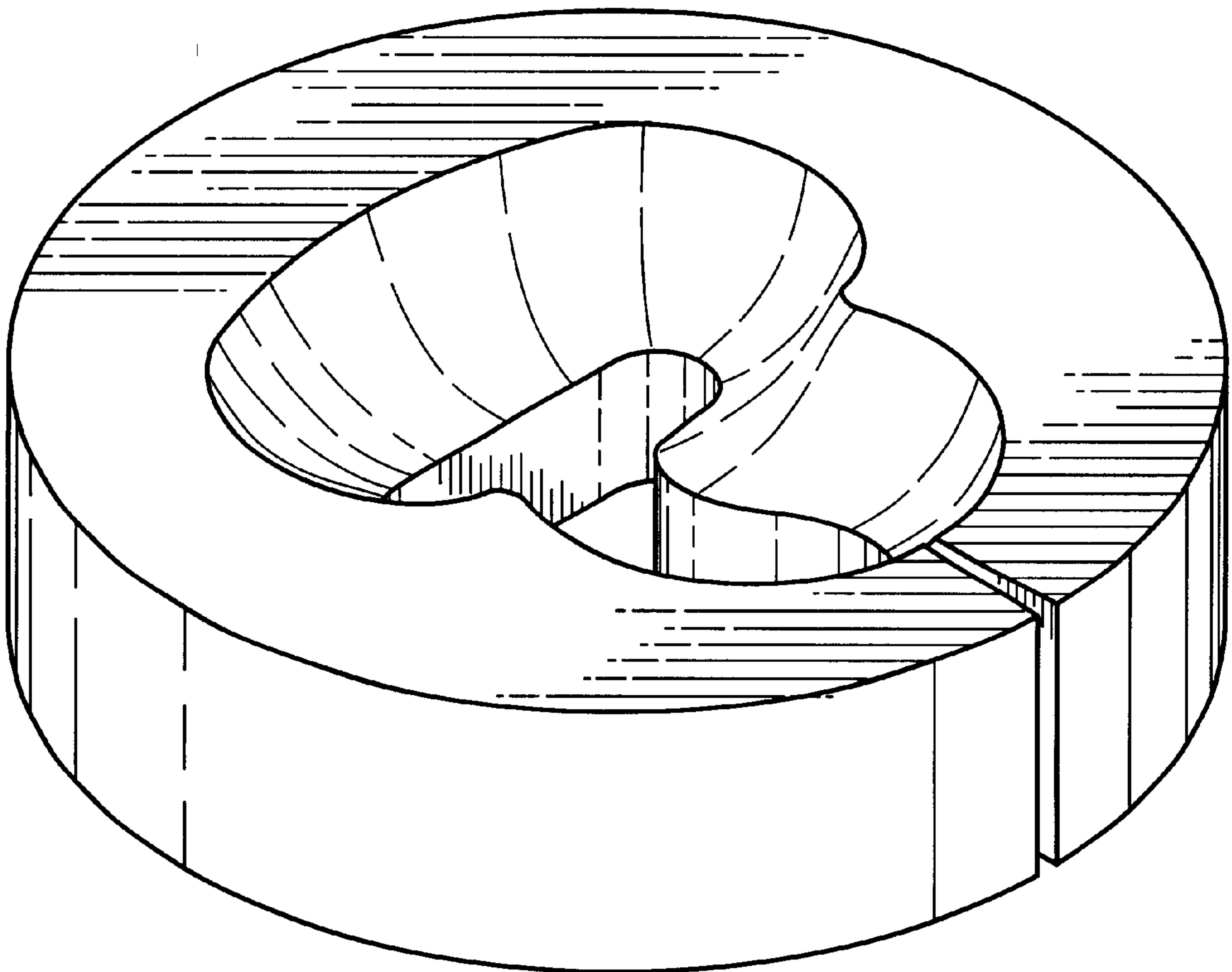


Fig. 1

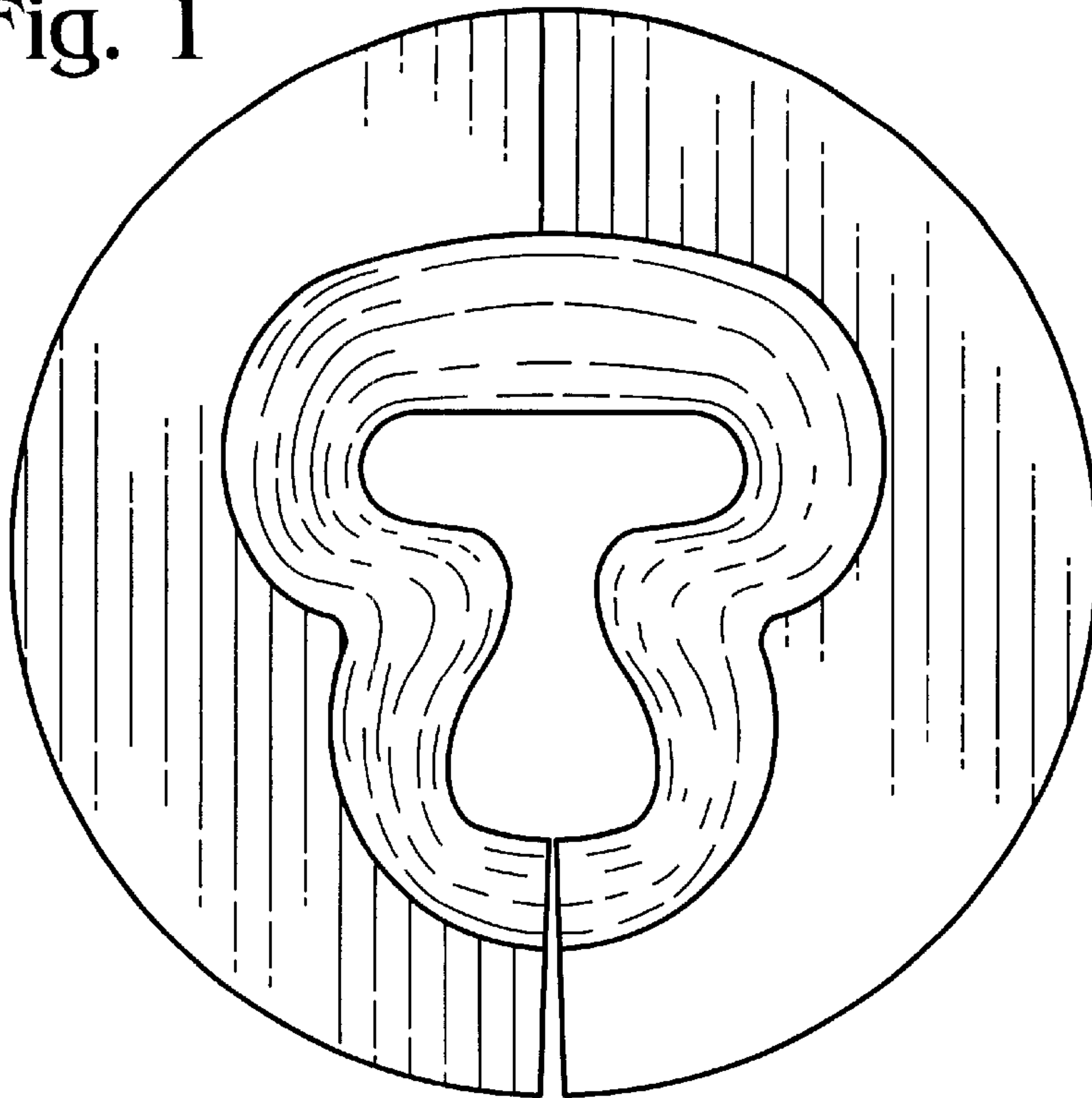


Fig. 2

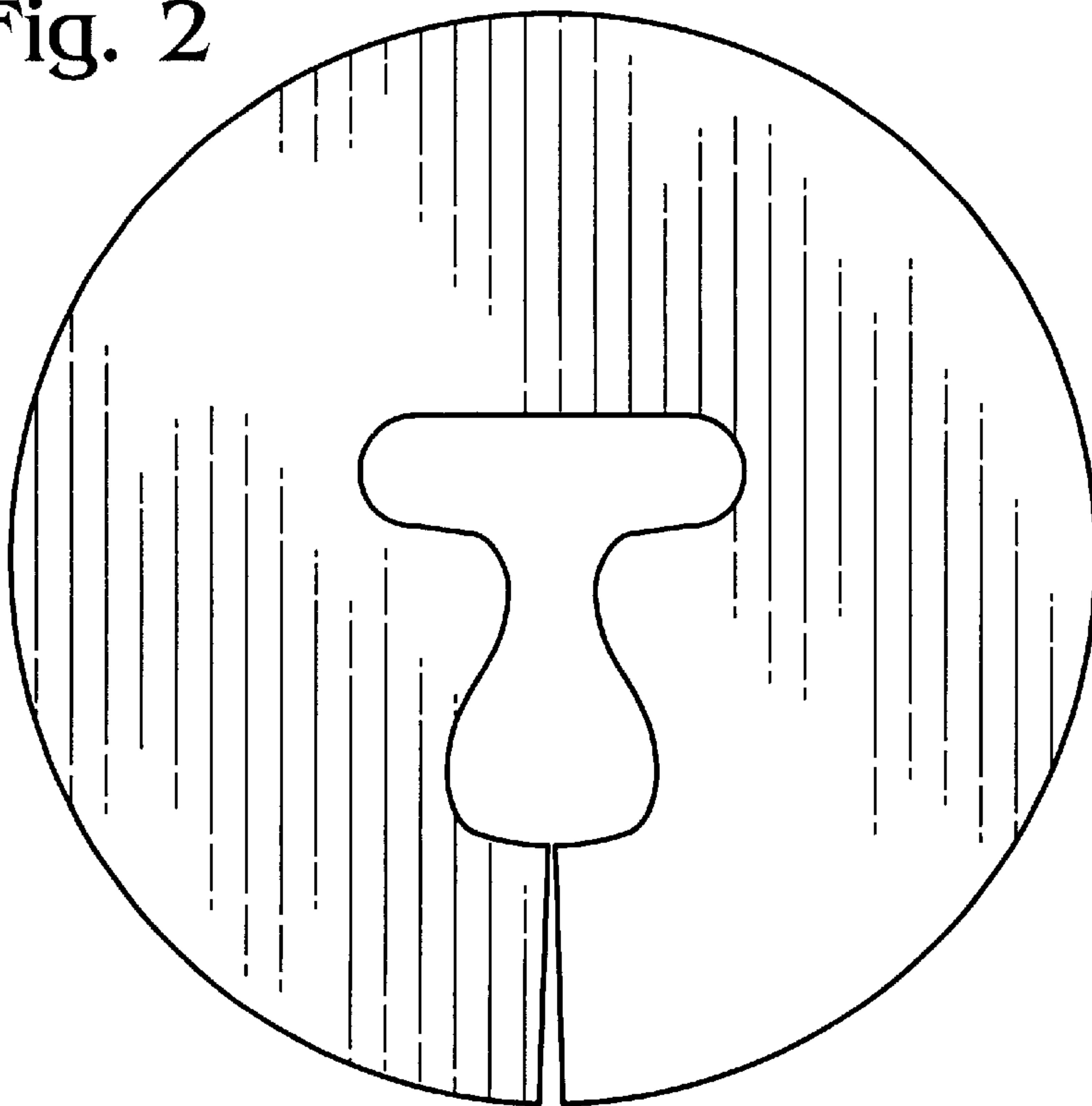


Fig. 3

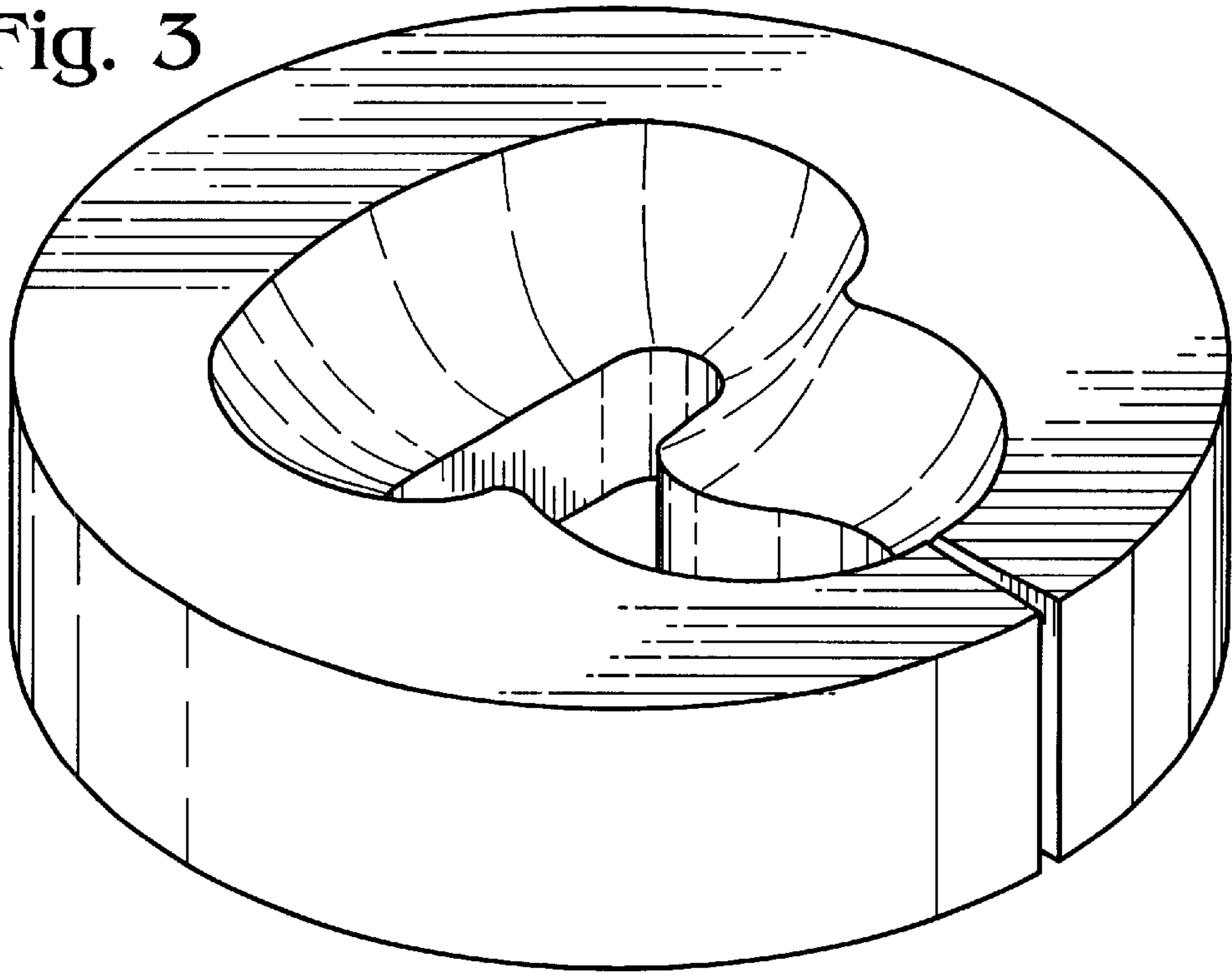


Fig. 4

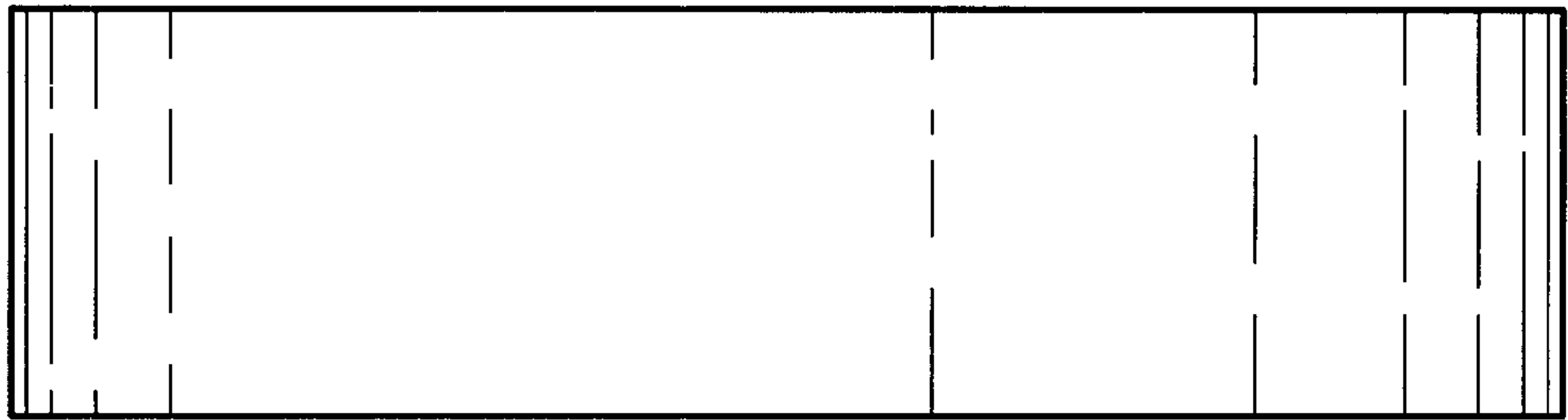


Fig. 5

