



US00D456513S

(12) **United States Design Patent**  
**Crawford et al.**

(10) **Patent No.:** **US D456,513 S**

(45) **Date of Patent:** **\*\* Apr. 30, 2002**

(54) **ADAPTOR**

(75) **Inventors:** **Jamieson William Maclean Crawford,**  
New York, NY (US); **Frank**  
**Francavilla,** Newton, NJ (US)

(73) **Assignee:** **Becton, Dickinson and Company,**  
Franklin Lakes, NJ (US)

(\*\*) **Term:** **14 Years**

(21) **Appl. No.:** **29/139,540**

(22) **Filed:** **Mar. 30, 2001**

(51) **LOC (7) Cl.** ..... **24-02**

(52) **U.S. Cl.** ..... **D24/169; D24/128; D24/130**

(58) **Field of Search** ..... **D24/130, 112,**  
**D24/169, 128, 108, 140, 129; 600/365,**  
**367, 579, 583, 465, 573, 576, 368, 369;**  
**422/104, 101, 58, 61**

(56) **References Cited**

**U.S. PATENT DOCUMENTS**

D350,195 S \* 8/1994 Poulsen ..... D24/113  
D360,031 S \* 7/1995 Davis ..... D24/169

5,504,011 A \* 4/1996 Gavin et al. .... 600/573  
5,518,006 A \* 5/1996 Mawhirt et al. .... 600/583  
5,800,781 A \* 9/1998 Gavin et al. .... 422/58  
6,056,701 A \* 5/2000 Duchon et al. .... 600/583  
6,196,979 B1 \* 3/2001 Virtanen ..... 600/573

\* cited by examiner

*Primary Examiner*—Ian Simmons

(74) *Attorney, Agent, or Firm*—Nanette S. Thomas

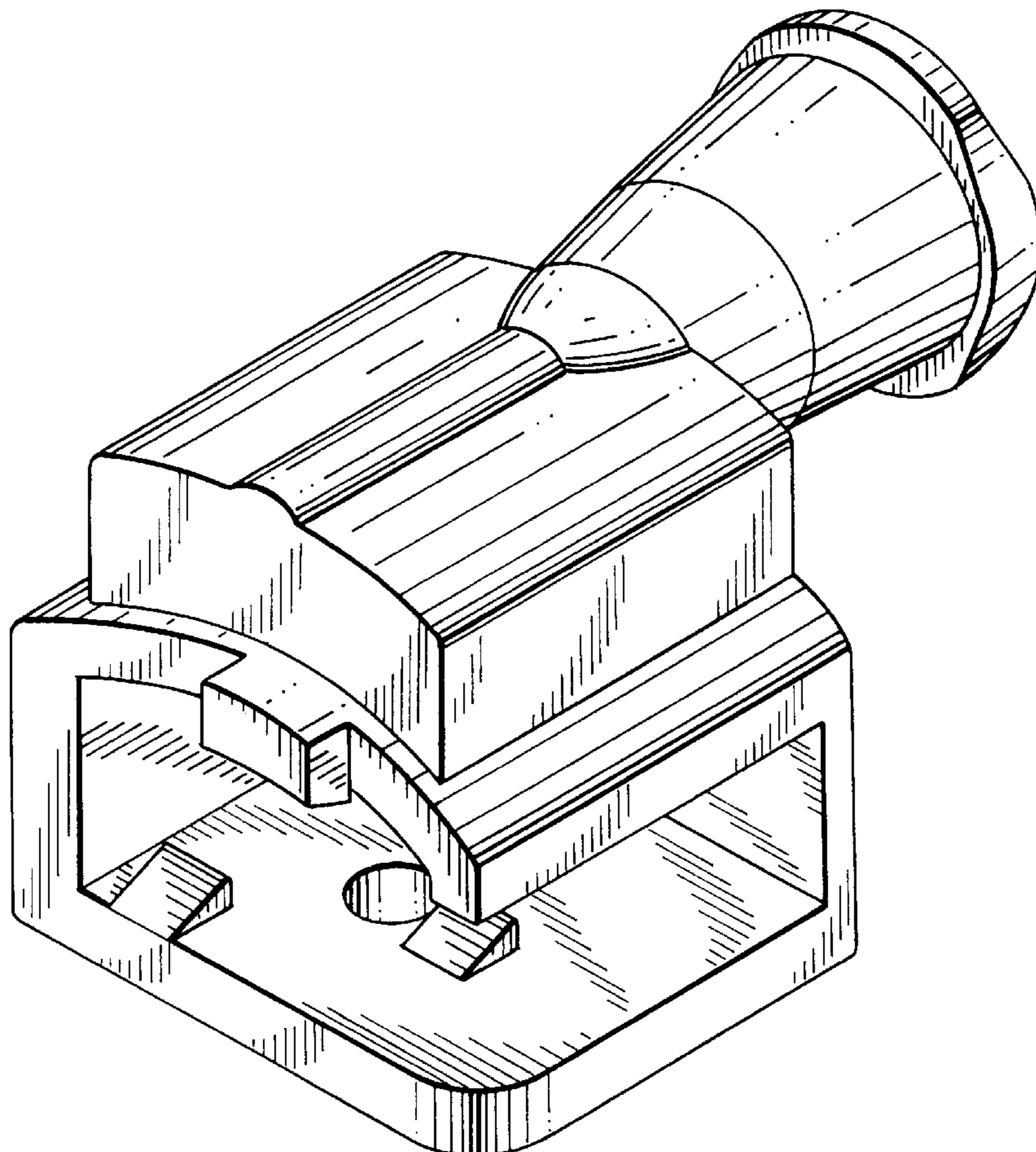
(57) **CLAIM**

The ornamental design for an adaptor, as shown and described.

**DESCRIPTION**

FIG. 1 is a perspective view of the adaptor;  
FIG. 2 is a front elevational view thereof;  
FIG. 3 is a top plan view thereof;  
FIG. 4 is a right side elevational view of the adaptor of FIG. 2;  
FIG. 5 is a left side elevational view of the adaptor of FIG. 2;  
FIG. 6 is a bottom plan view thereof; and,  
FIG. 7 is a rear elevational view thereof.

**1 Claim, 7 Drawing Sheets**



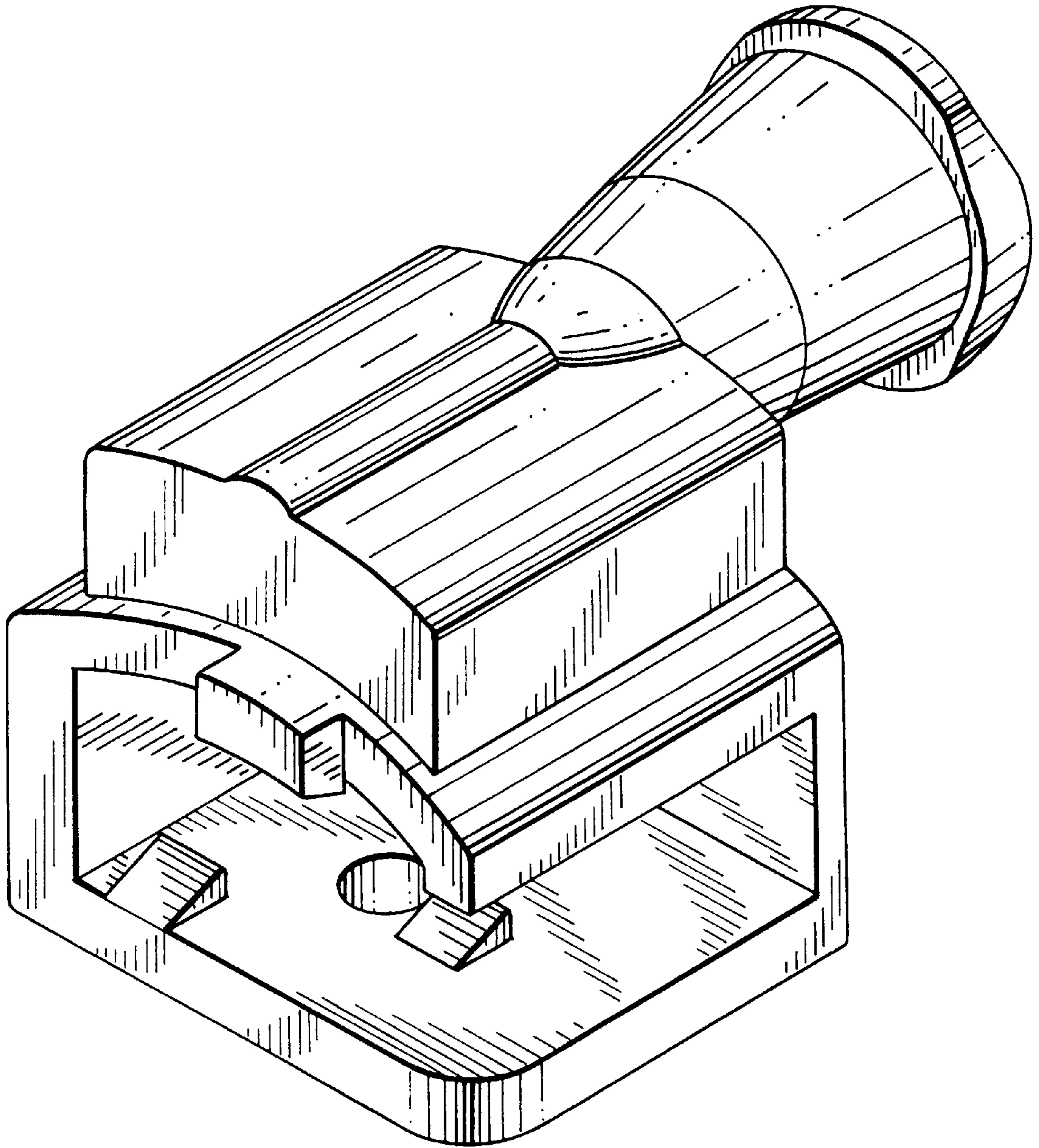


FIG. 1

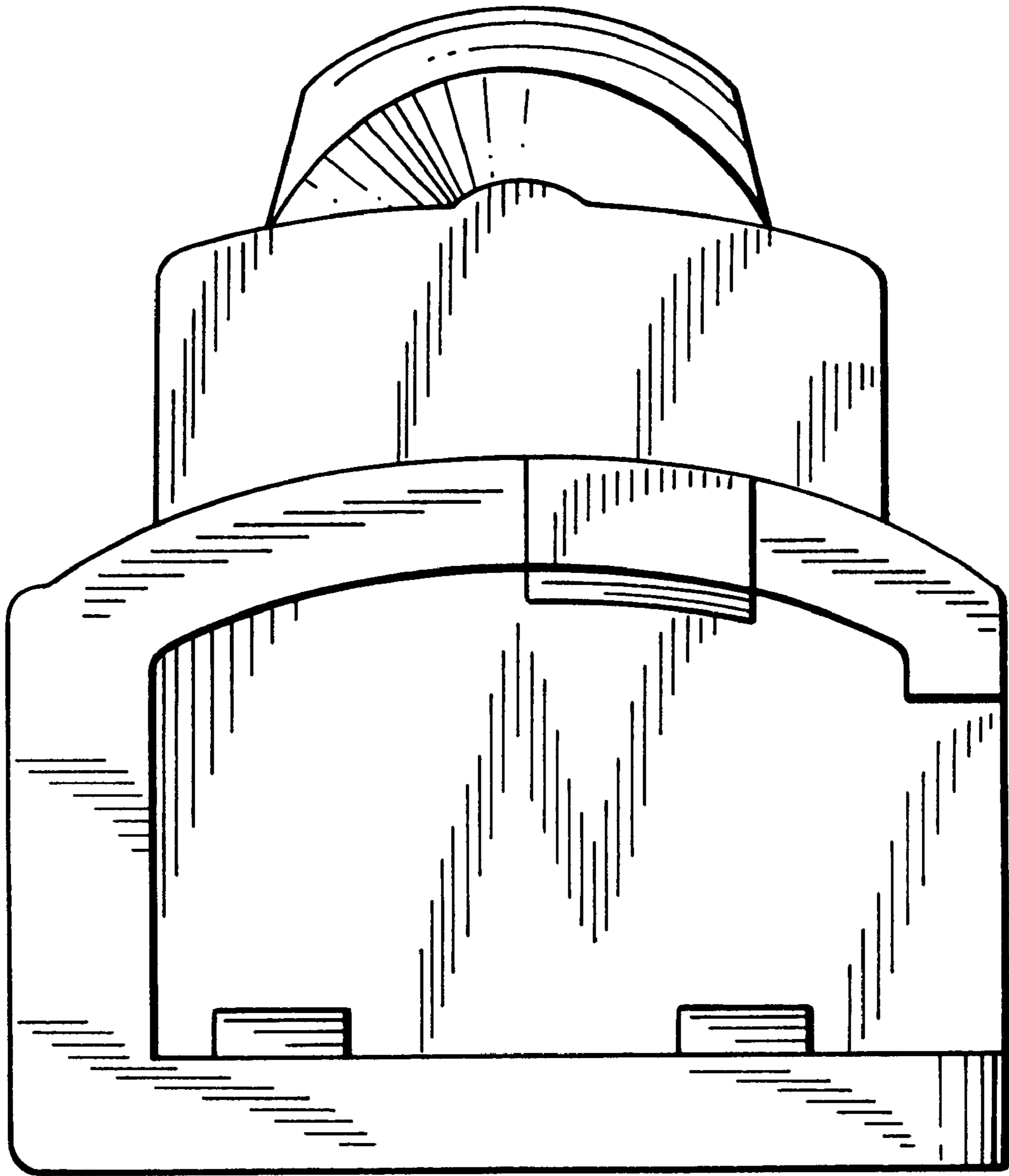


FIG. 2

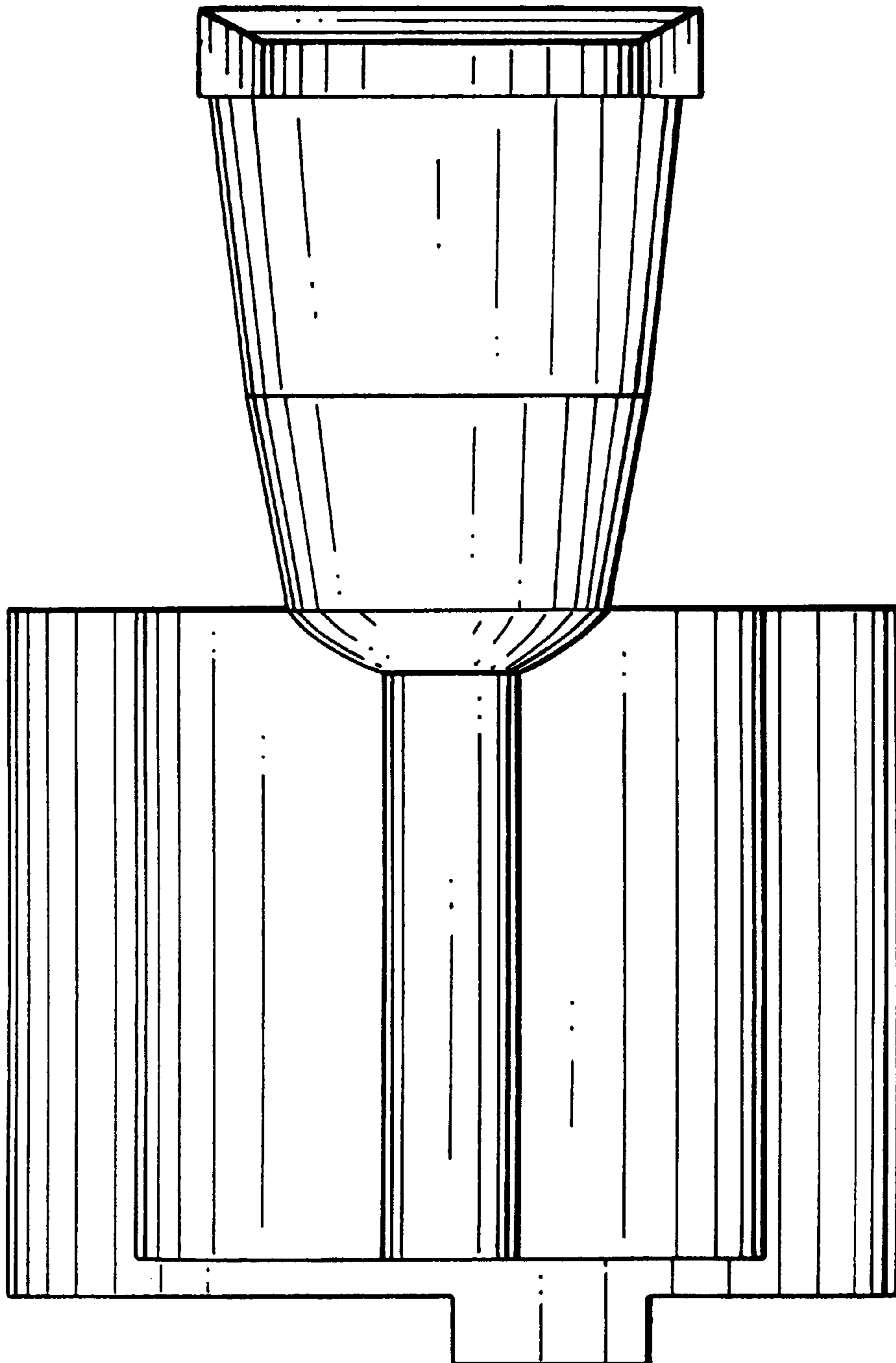


FIG. 3

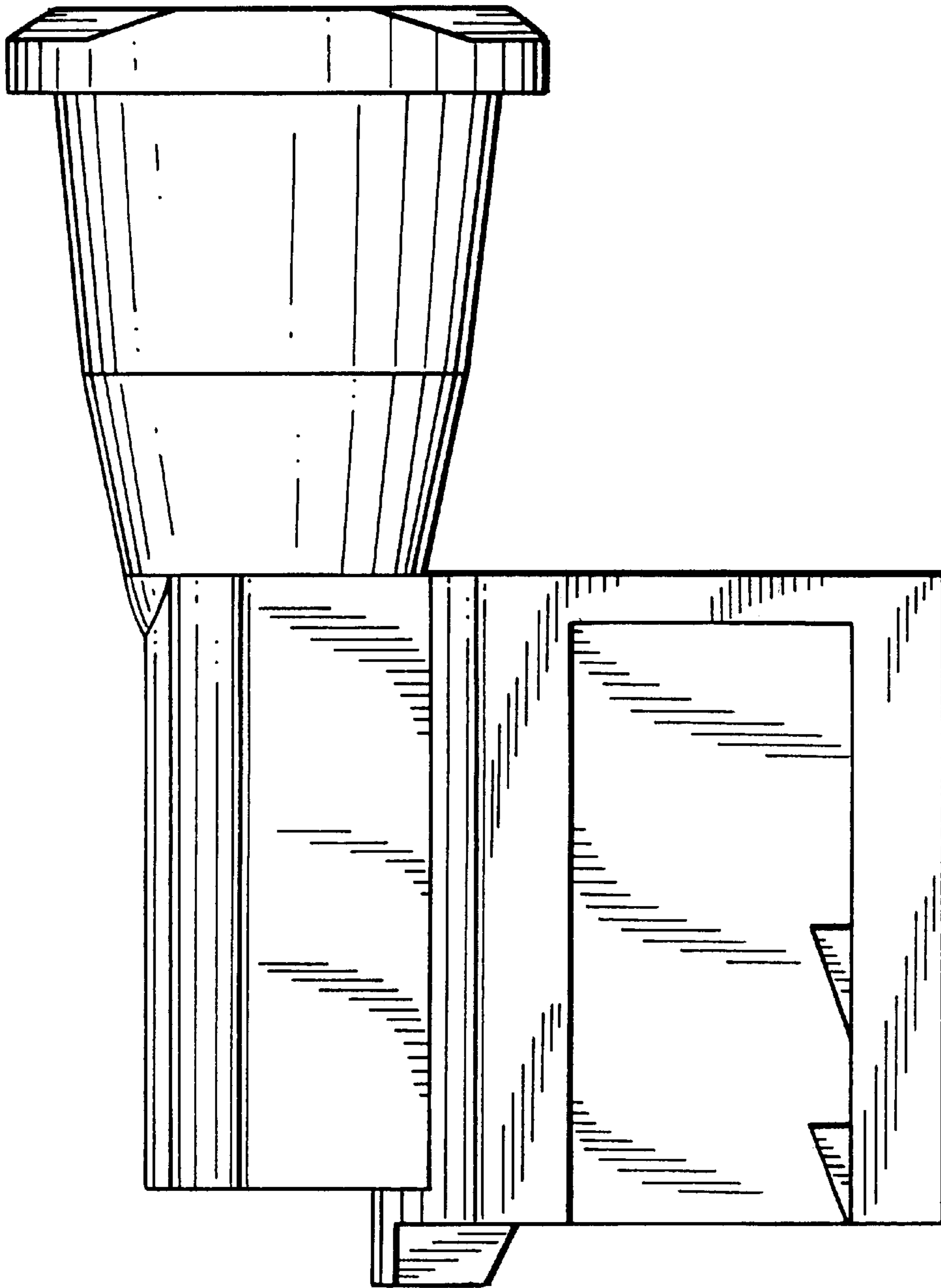


FIG. 4

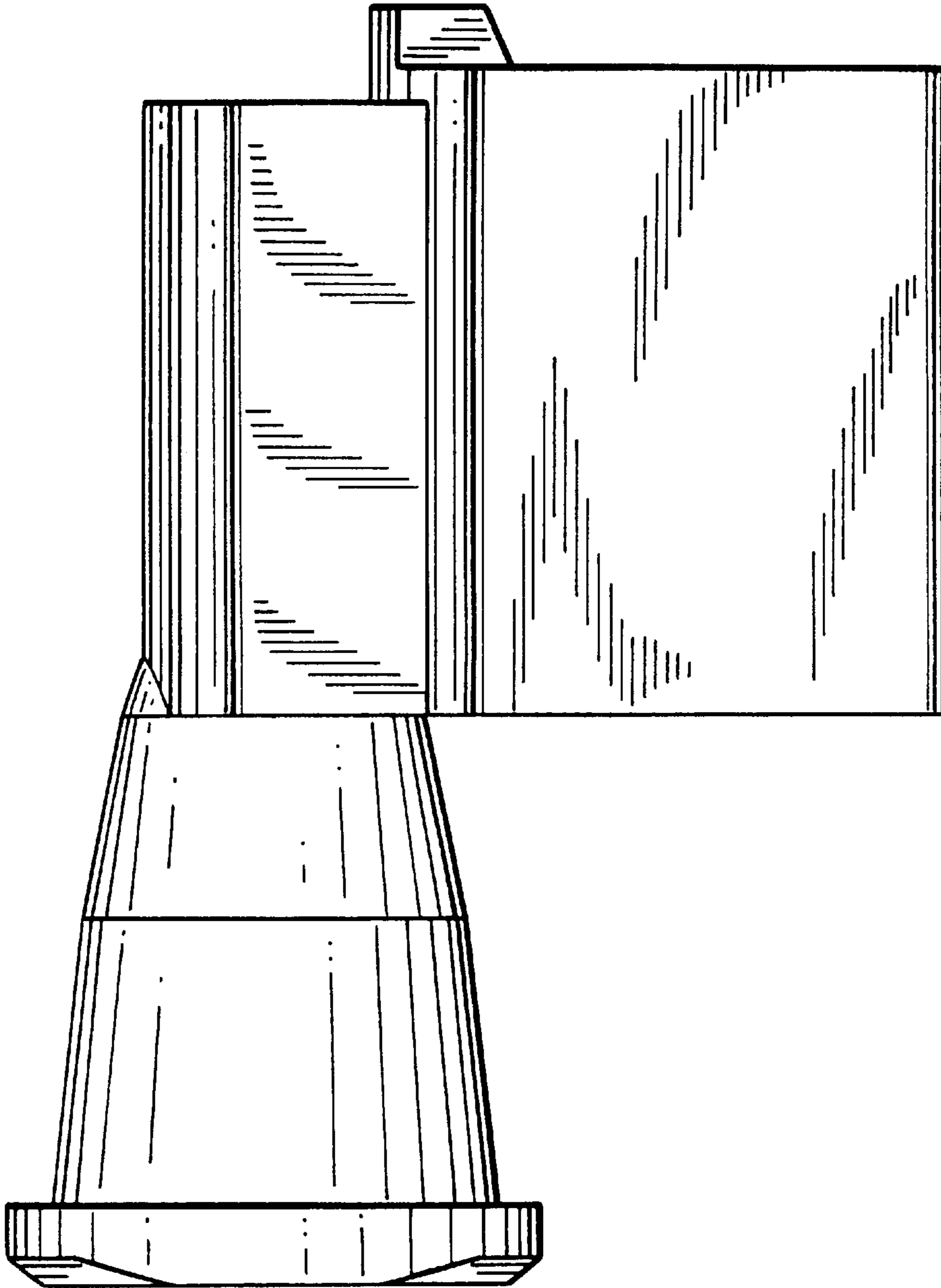


FIG. 5

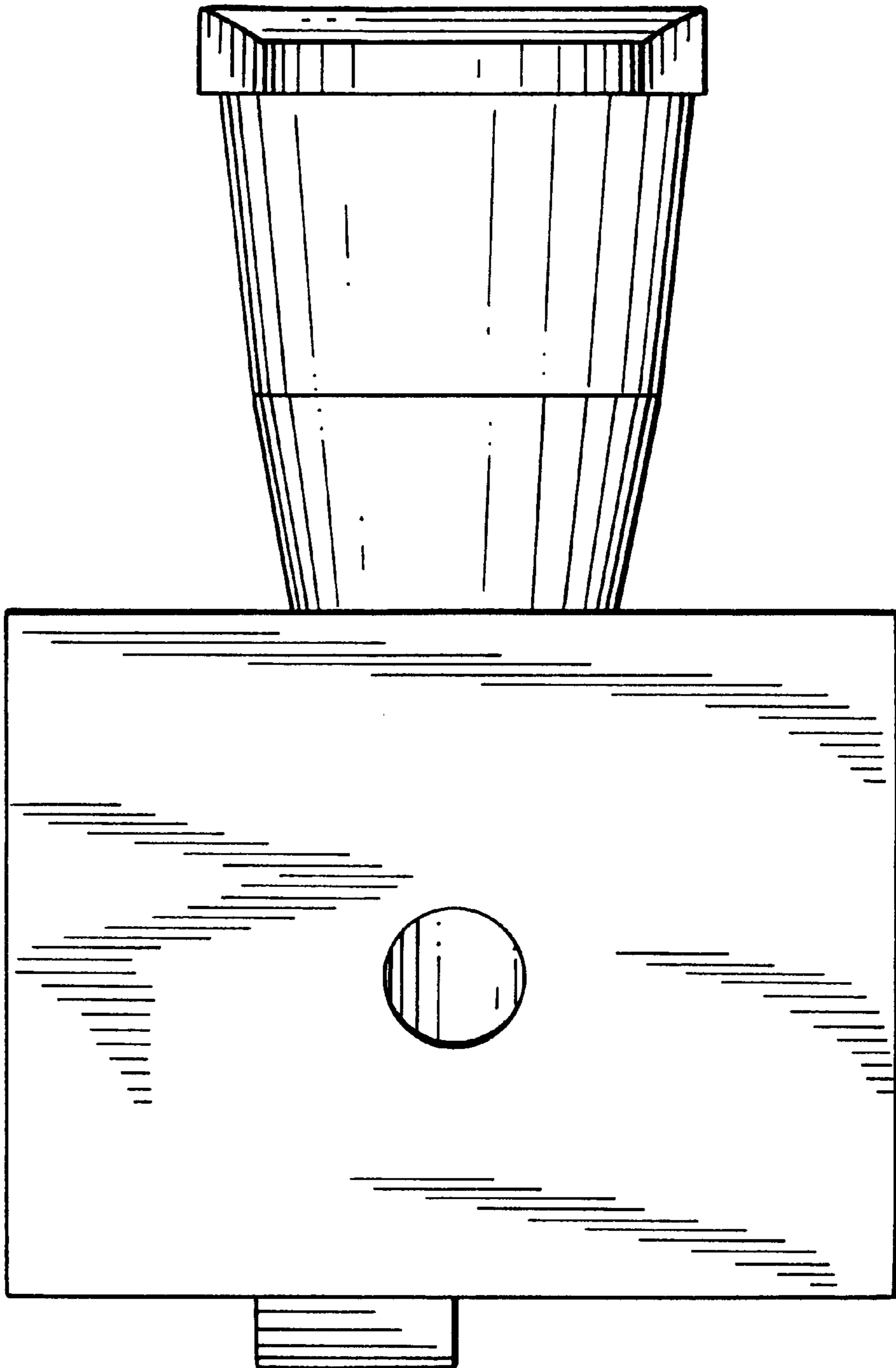


FIG. 6

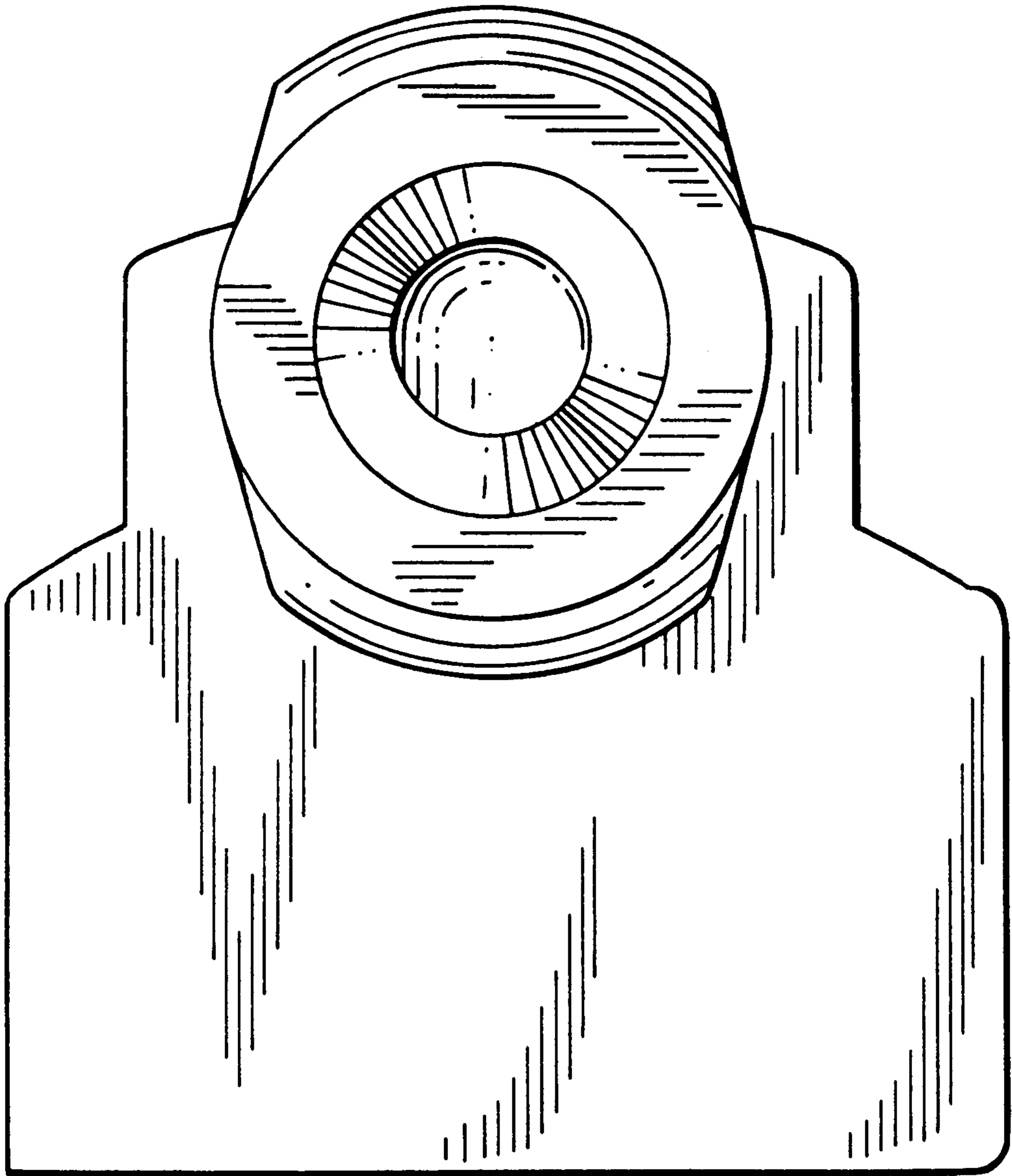


FIG. 7