



US00D456510S

(12) **United States Design Patent**
Spetzler et al.

(10) **Patent No.:** **US D456,510 S**

(45) **Date of Patent:** **** Apr. 30, 2002**

(54) **SKULL CLAMP**

(75) Inventors: **Robert F. Spetzler**, Paradise Valley, AZ (US); **Thomas Weidenmaier**, San Carlos, CA (US); **Daniel Bass**, El Granada, CA (US); **Francis Shan-Kwan Tang**, Hayward, CA (US); **Terry James Johnston**, Redwood City, CA (US)

(73) Assignee: **Allegiance Corporation**, McGaw Park, IL (US)

(**) Term: **14 Years**

(21) Appl. No.: **29/140,200**

(22) Filed: **Apr. 13, 2001**

(51) **LOC (7) Cl.** **24-02**

(52) **U.S. Cl.** **D24/143**

(58) **Field of Search** D24/143, 140, D24/133; 5/622, 637, 636, 640, 643; 403/59, 83; 606/130, 54, 1; 602/37, 33, 36; 600/233, 229, 417, 429

(56) **References Cited**

U.S. PATENT DOCUMENTS

3,835,861 A	*	9/1974	Kees, Jr. et al.	5/637
4,169,478 A		10/1979	Hickmann	128/346
5,197,965 A	*	3/1993	Cherry et al.	5/637
5,269,034 A		12/1993	Day et al.	5/637
5,529,358 A	*	6/1996	Dinkler et al.	600/233

5,537,704 A		7/1996	Dinkler	5/622
5,984,930 A	*	11/1999	Maciunas et al.	606/130
6,117,143 A	*	9/2000	Hynes et al.	606/130
6,179,846 B1	*	1/2001	McFadden	606/130

OTHER PUBLICATIONS

Codman Catalog @1992 "Skull Clamps" p. N-176 item 19-1042 EX Room.*

* cited by examiner

Primary Examiner—Ian Simmons

(74) *Attorney, Agent, or Firm*—Andrew G. Rozycki; Donald O. Nickey

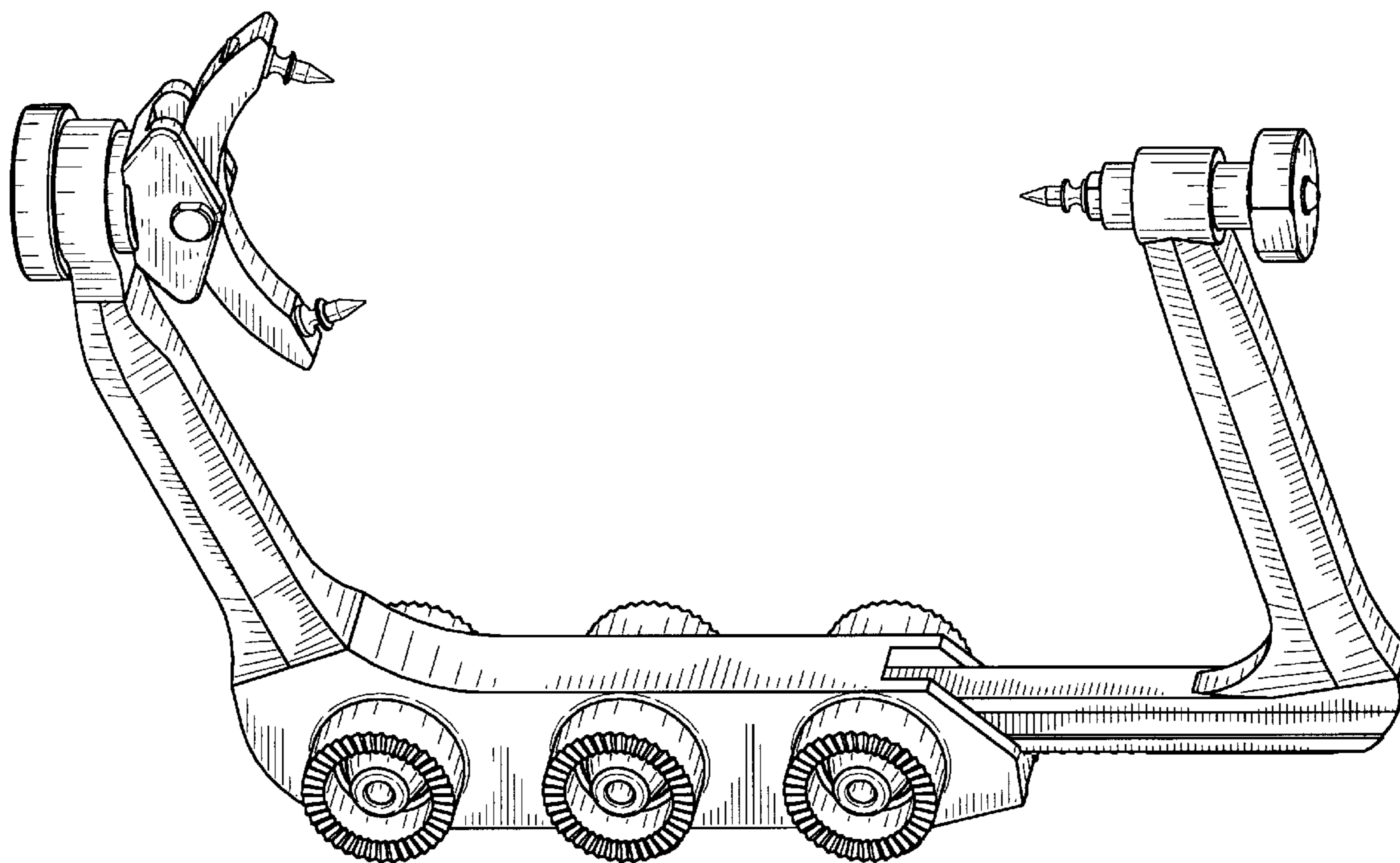
(57) **CLAIM**

We claim the ornamental design for the skull clamp, as shown and described.

DESCRIPTION

FIG. 1 is a perspective view of a skull clamp showing our new design;
 FIG. 2 is an end view thereof from the left side as shown in FIG. 1;
 FIG. 3 is a top view of the skull clamp;
 FIG. 4 is a side view of the skull clamp;
 FIG. 5 is an end view thereof from the right side as shown in FIG. 1;
 FIG. 6 is an inverted side view of the skull clamp of FIG. 4; and,
 FIG. 7 is a bottom view thereof.

1 Claim, 3 Drawing Sheets



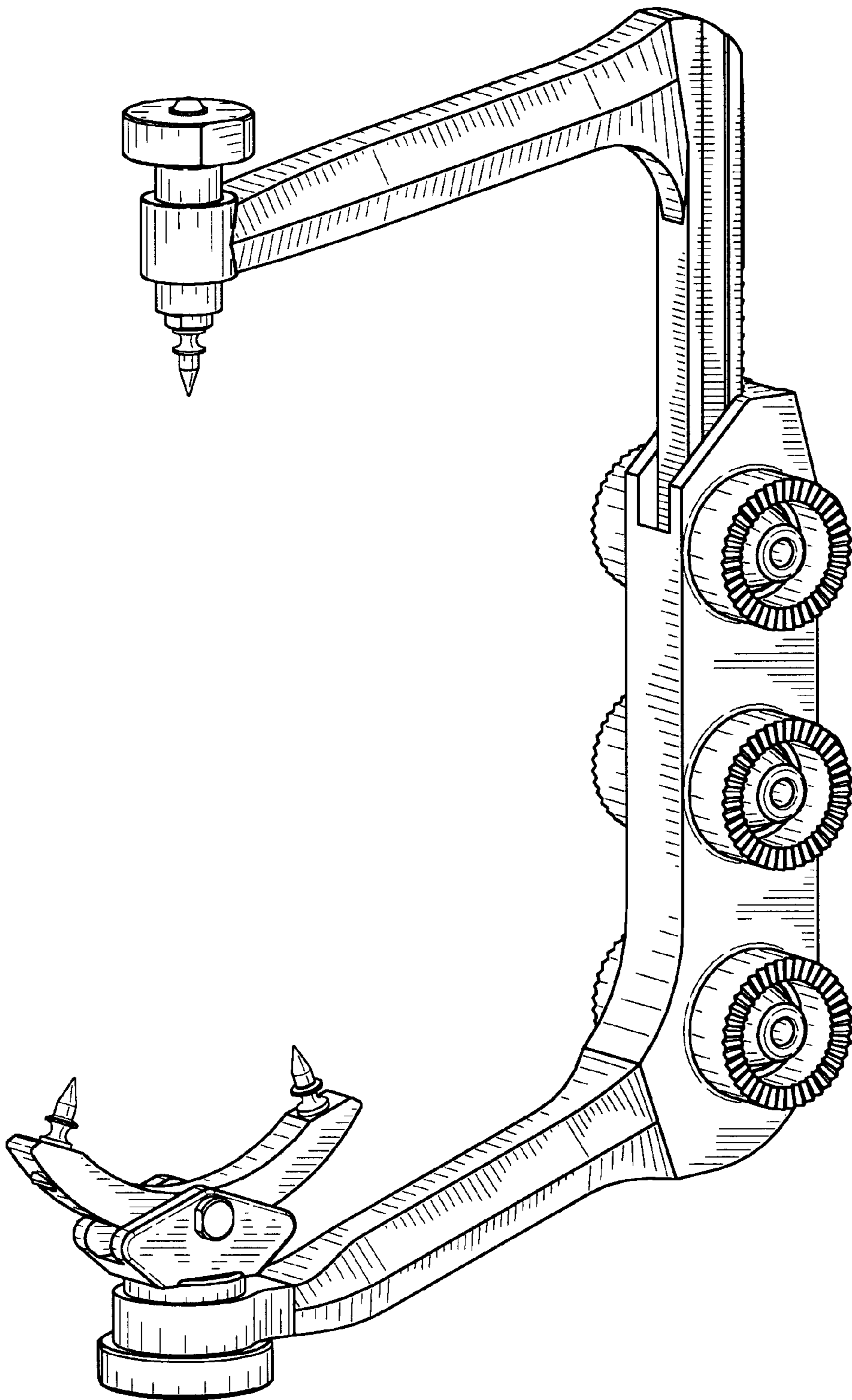


FIG-1

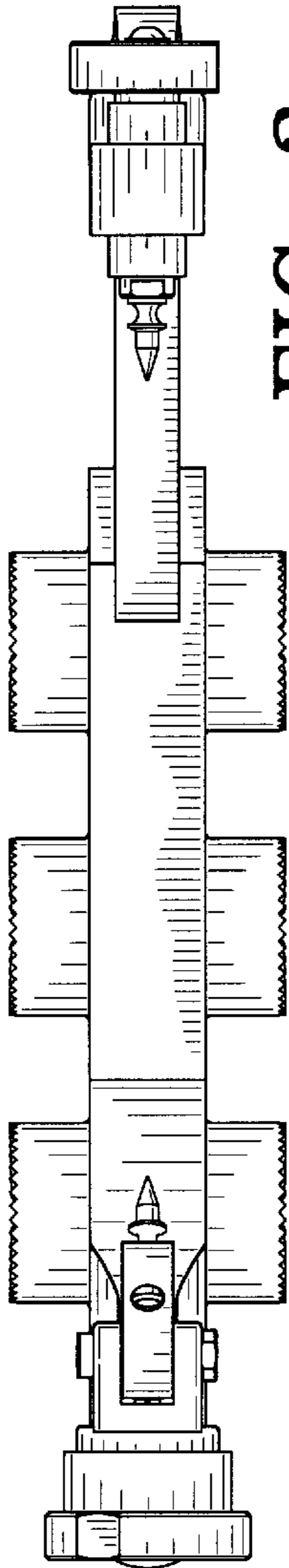


FIG-3

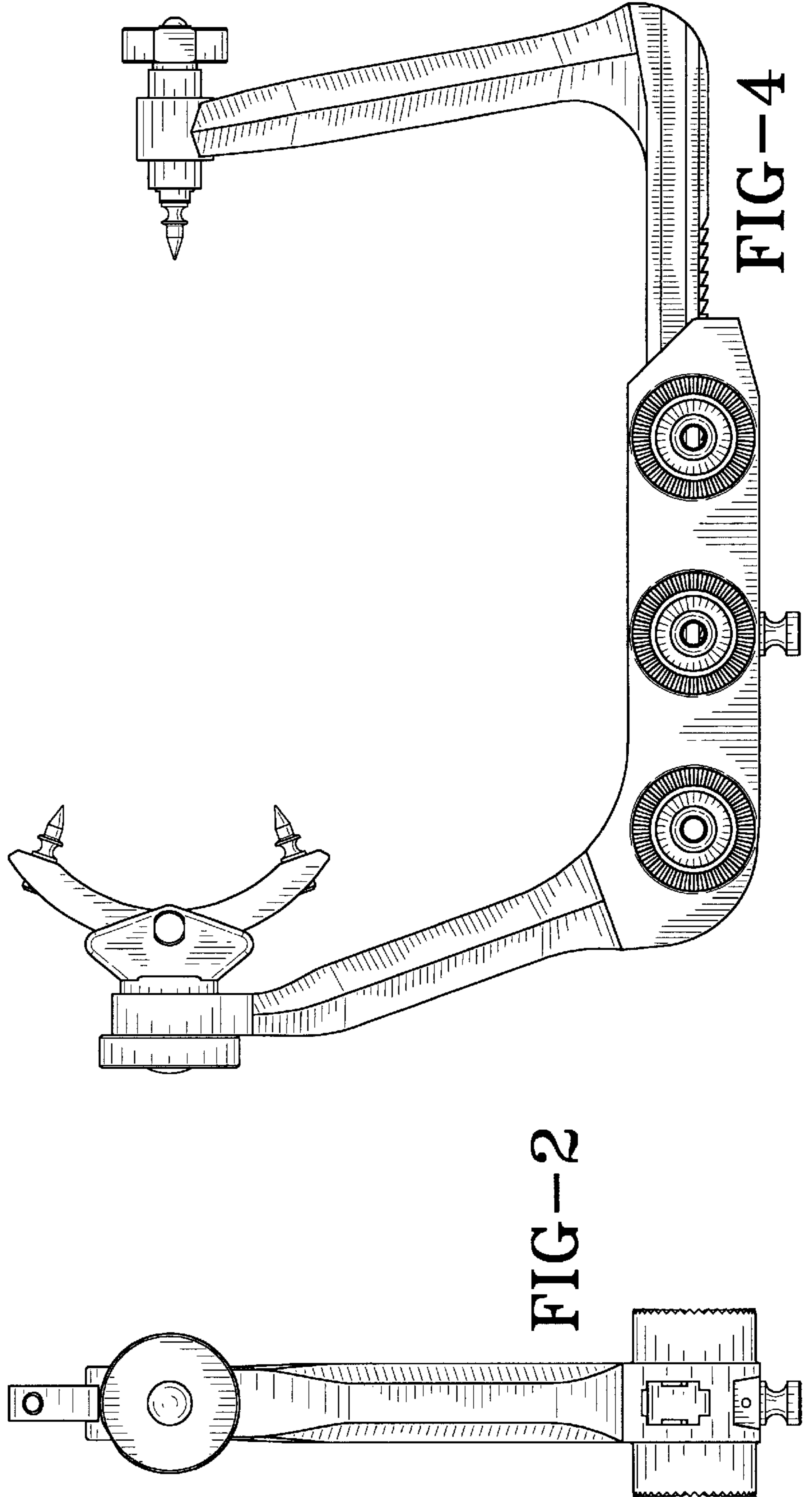


FIG-4

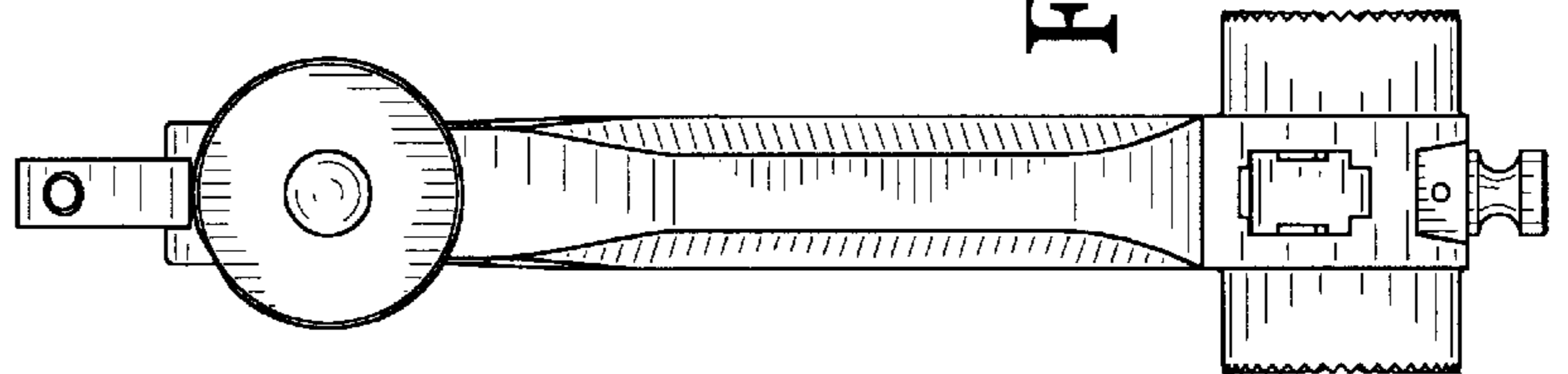


FIG-2

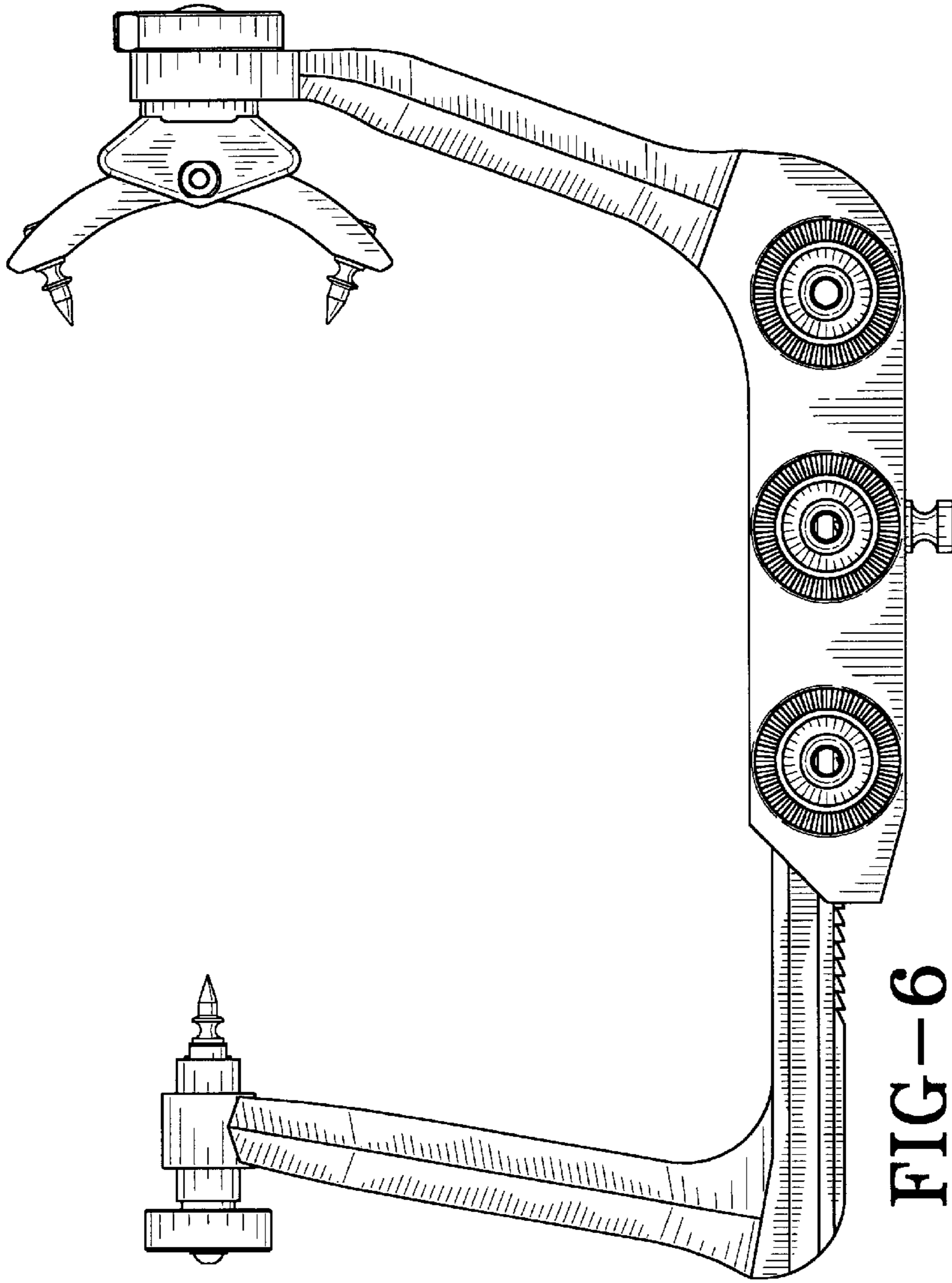


FIG-5

FIG-6

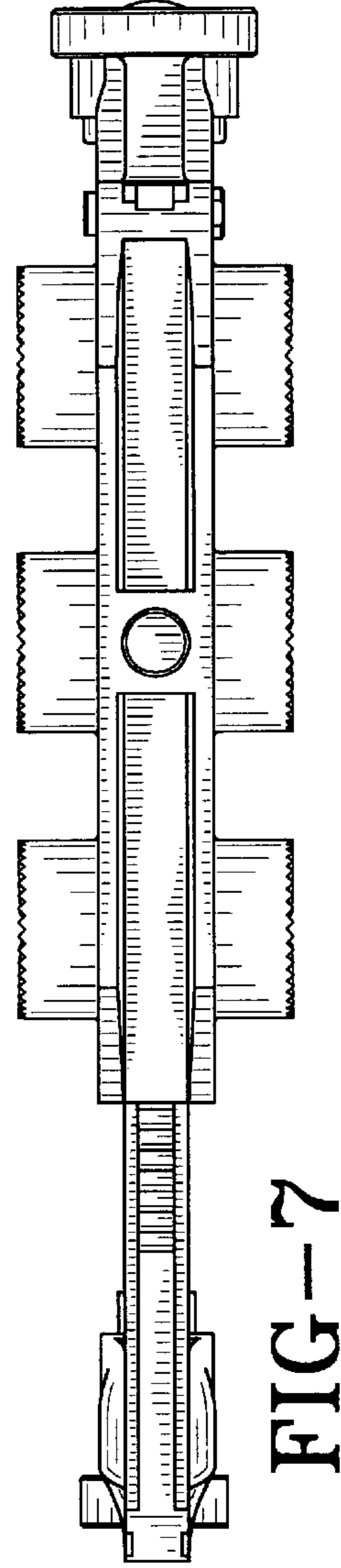


FIG-7

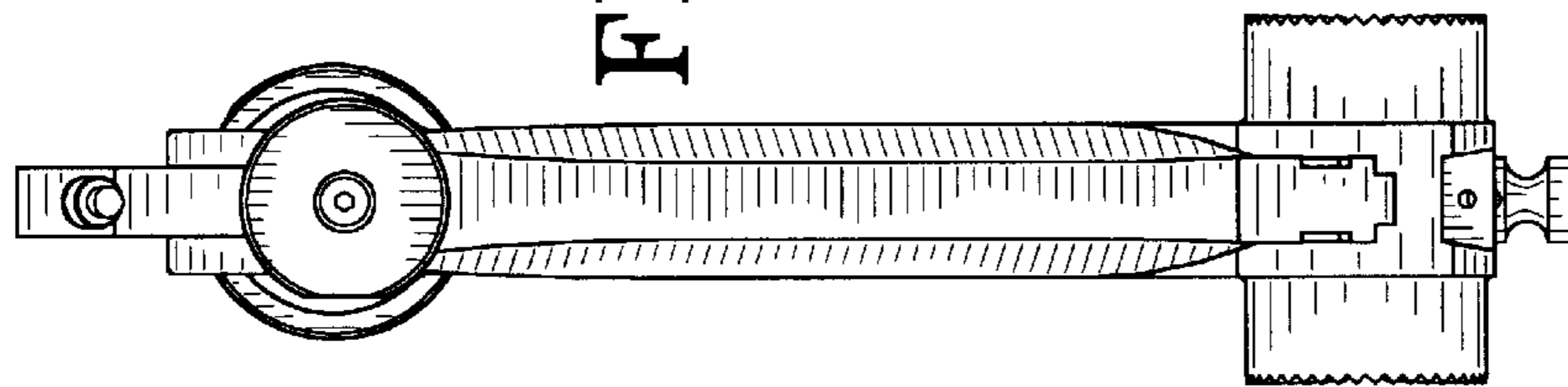


FIG-8