



US00D456506S

(12) **United States Design Patent**
Haas

(10) **Patent No.:** **US D456,506 S**

(45) **Date of Patent:** **** Apr. 30, 2002**

(54) **TRACHEOSTOMY AIR FILTRATION
DEVICE**

D429,811 S * 8/2000 Bermudez D24/110.5

* cited by examiner

(76) **Inventor:** **Eileen Haas**, 90 Kaufman Rd.,
Gibsonia, PA (US) 15044

Primary Examiner—Ian Simmons

(**) **Term:** **14 Years**

(57) **CLAIM**

(21) **Appl. No.:** **29/136,630**

The ornamental design for a tracheostomy air filtration device, as shown.

(22) **Filed:** **Feb. 2, 2001**

Related U.S. Application Data

DESCRIPTION

(63) Continuation of application No. 09/249,682, filed on Feb. 11, 1999.

FIG. 1 is a back view of the invention.

(51) **LOC (7) Cl.** **29-02**

FIG. 2 is a front view of the invention.

(52) **U.S. Cl.** **D24/110.5**

FIG. 3 is the top view of the invention.

(58) **Field of Search** D24/110, 110.5,
D24/110.1; 128/207.16, 207.14

FIG. 4 is bottom view of the invention.

FIG. 5 is the right side view of the invention; and,

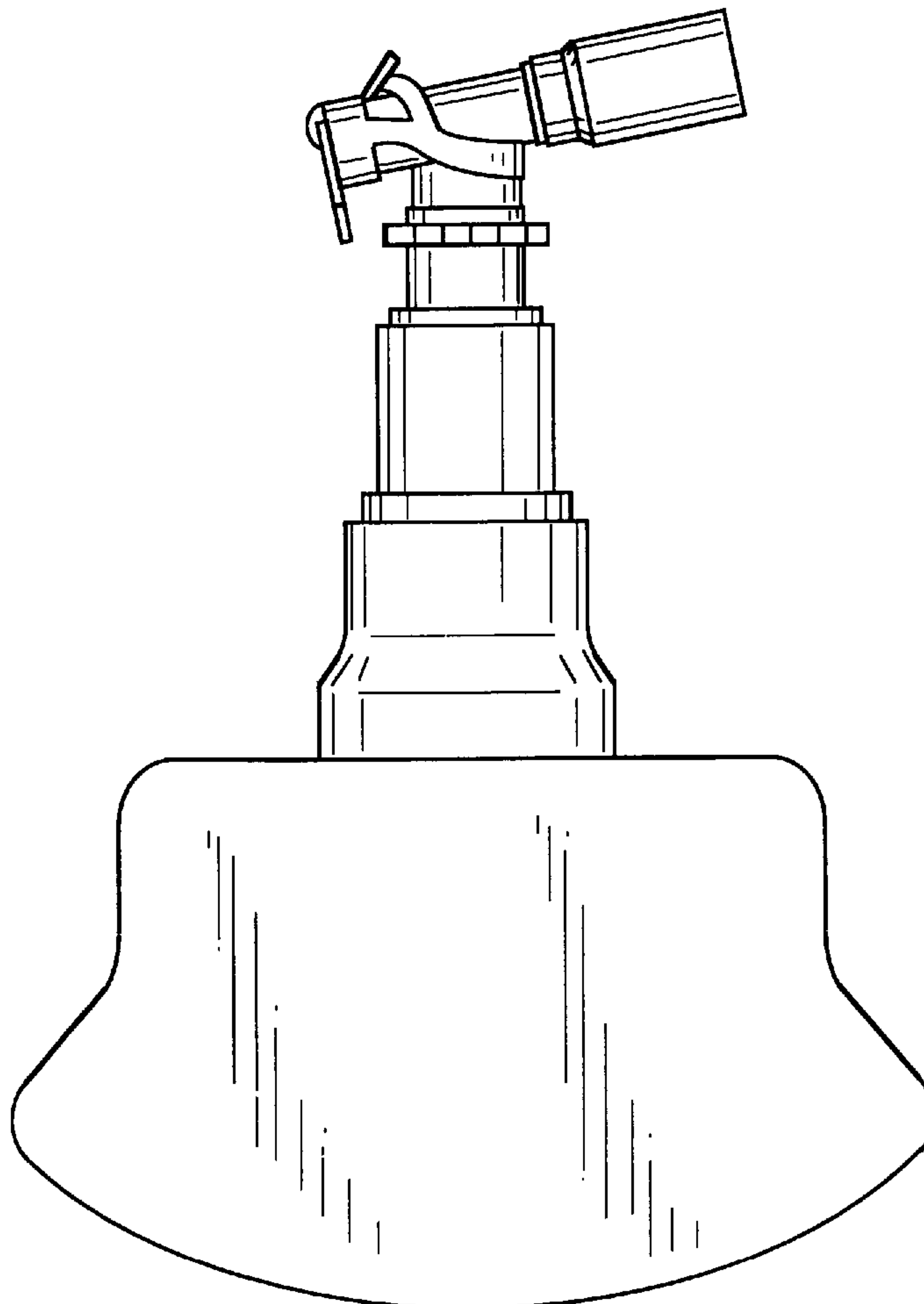
FIG. 6 is the left side view of the invention.

(56) **References Cited**

U.S. PATENT DOCUMENTS

4,955,373 A * 9/1990 Maguire, III 128/207.16

1 Claim, 3 Drawing Sheets



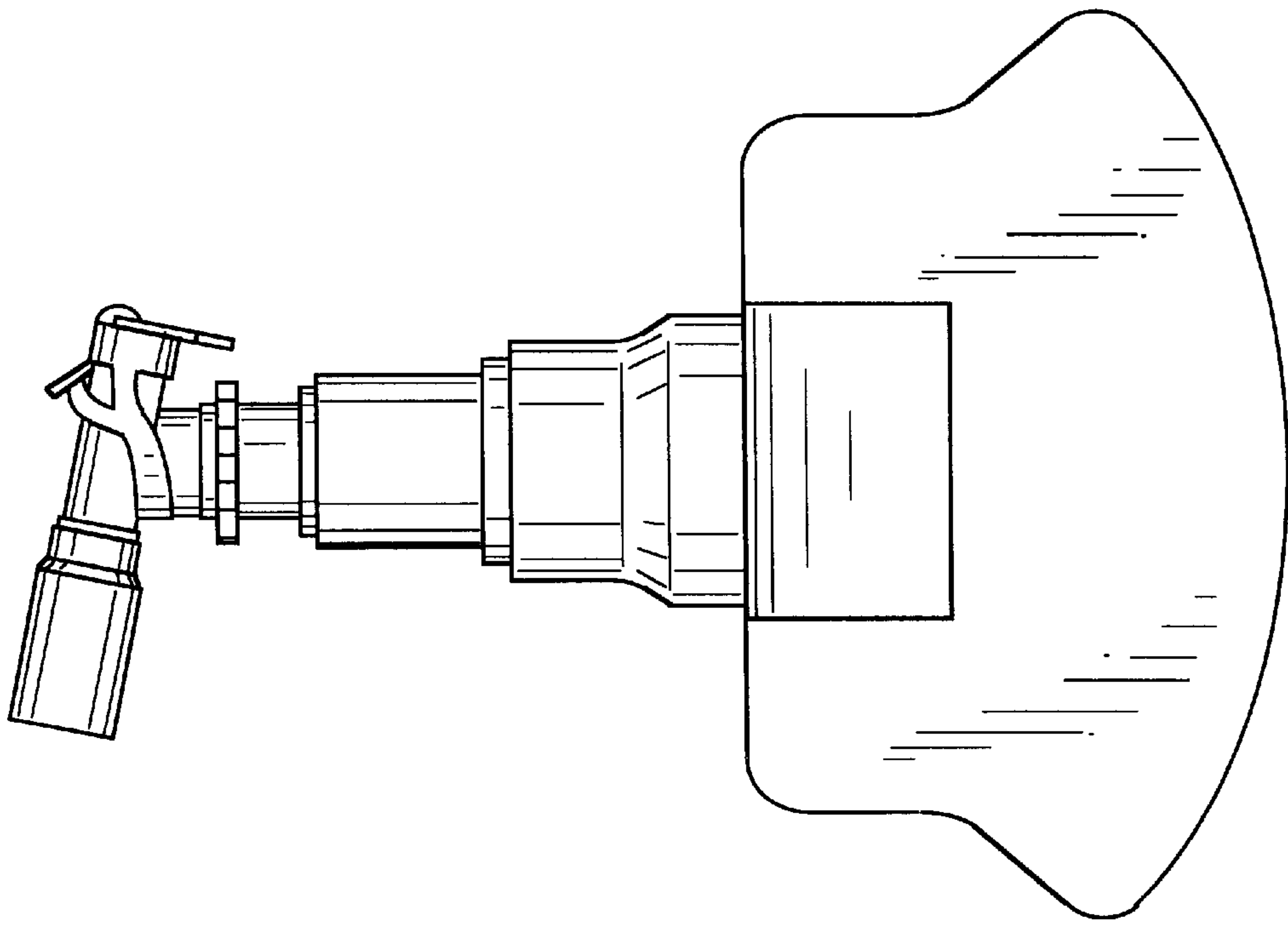


FIG. 2

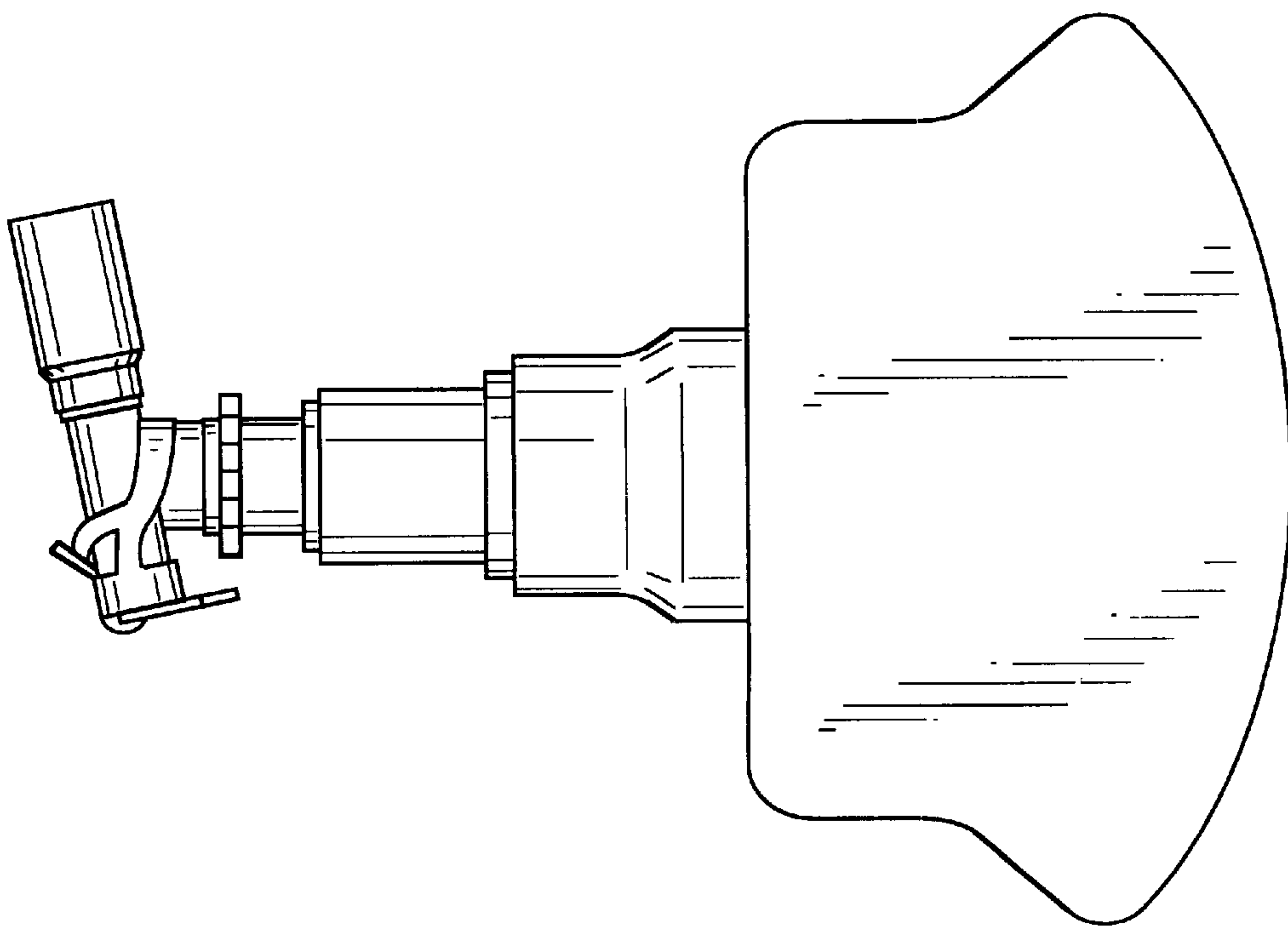


FIG. 1

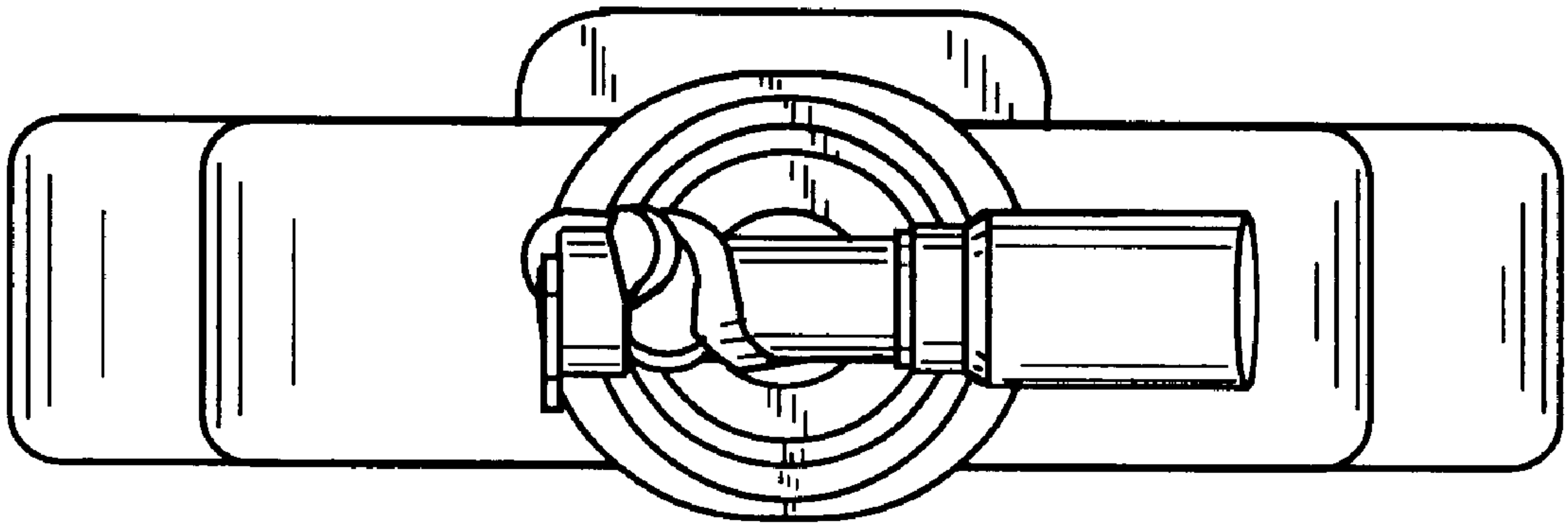


FIG. 3

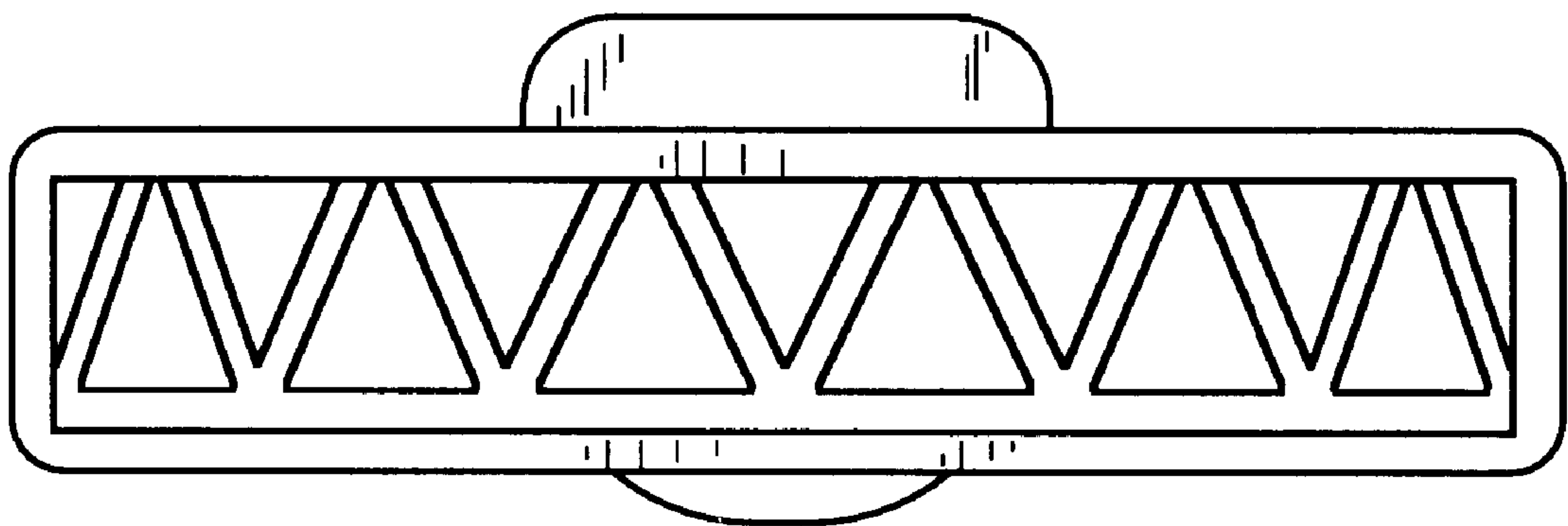


FIG. 4

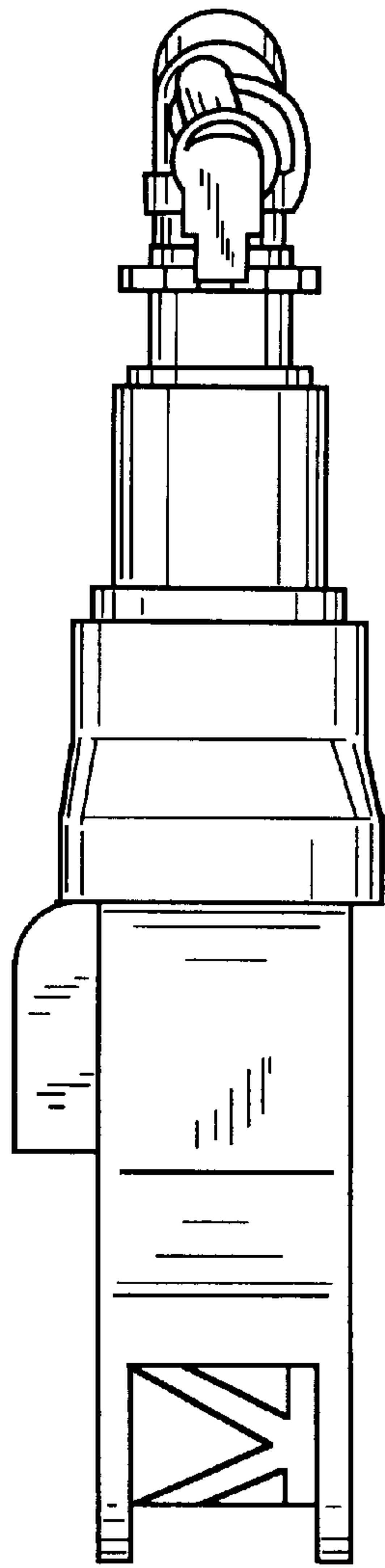


FIG. 5

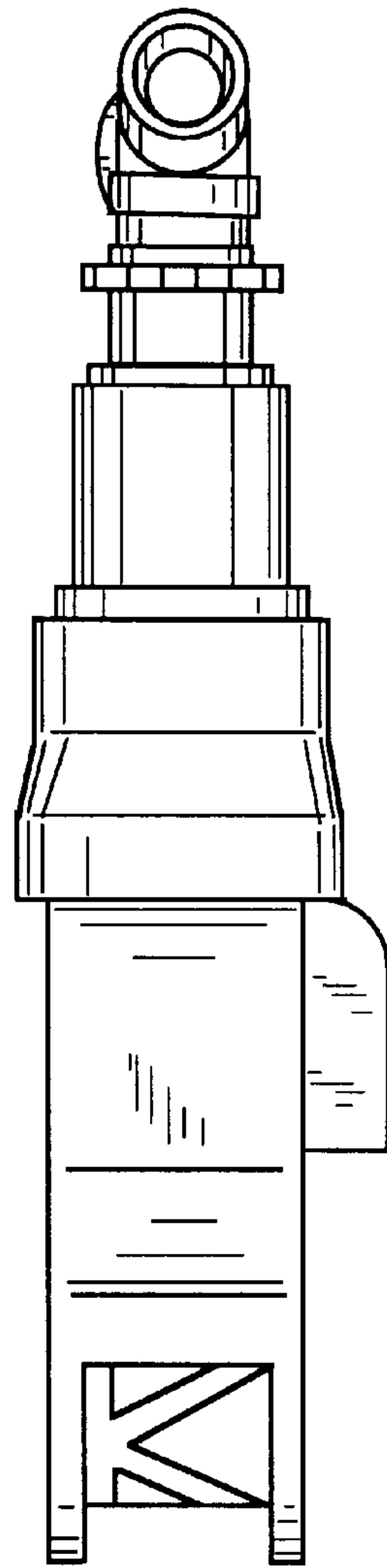


FIG. 6