



US00D456504S

(12) **United States Design Patent**
Robertson et al.

(10) **Patent No.:** **US D456,504 S**

(45) **Date of Patent:** **** Apr. 30, 2002**

(54) **MOUTHPIECE AND COLLAR FOR AN INHALATION DEVICE**

6,039,042 A * 3/2000 Sladek 128/200.23
6,293,279 B1 * 9/2001 Schmidt et al. 128/200.23
D449,882 S * 10/2001 Christrup et al. D24/110

(75) Inventors: **Duncan Robertson; Gary Robert Beaumont; George Alan Robusti**, all of Ware (GB)

* cited by examiner

(73) Assignee: **SmithKline Beecham**, Philadelphia, PA (US)

Primary Examiner—Ian Simmons

(74) *Attorney, Agent, or Firm*—Christopher P. Rogers

(**) Term: **14 Years**

(57) **CLAIM**

(21) Appl. No.: **29/137,661**

The ornamental design for a mouthpiece and collar for an inhalation device, as shown and described.

(22) Filed: **Feb. 26, 2001**

(30) **Foreign Application Priority Data**

Aug. 26, 2000 (GB) 2095344

DESCRIPTION

(51) **LOC (7) Cl.** **29-02**

FIG. 1 is a perspective view of a mouthpiece and collar for an inhalation device showing our new design, with the collar engaged. The broken lines showing is for illustrative purposes only and forms no part of the claimed design.

(52) **U.S. Cl.** **D24/110**

FIG. 2 is a perspective view thereof, with the collar disengaged;

(58) **Field of Search** D24/110, 110.4, D24/110.5; 128/200.23, 200.24, 200.16, 200.18, 200.14, 200.25, 203.23

FIG. 3 is a front view thereof; and,

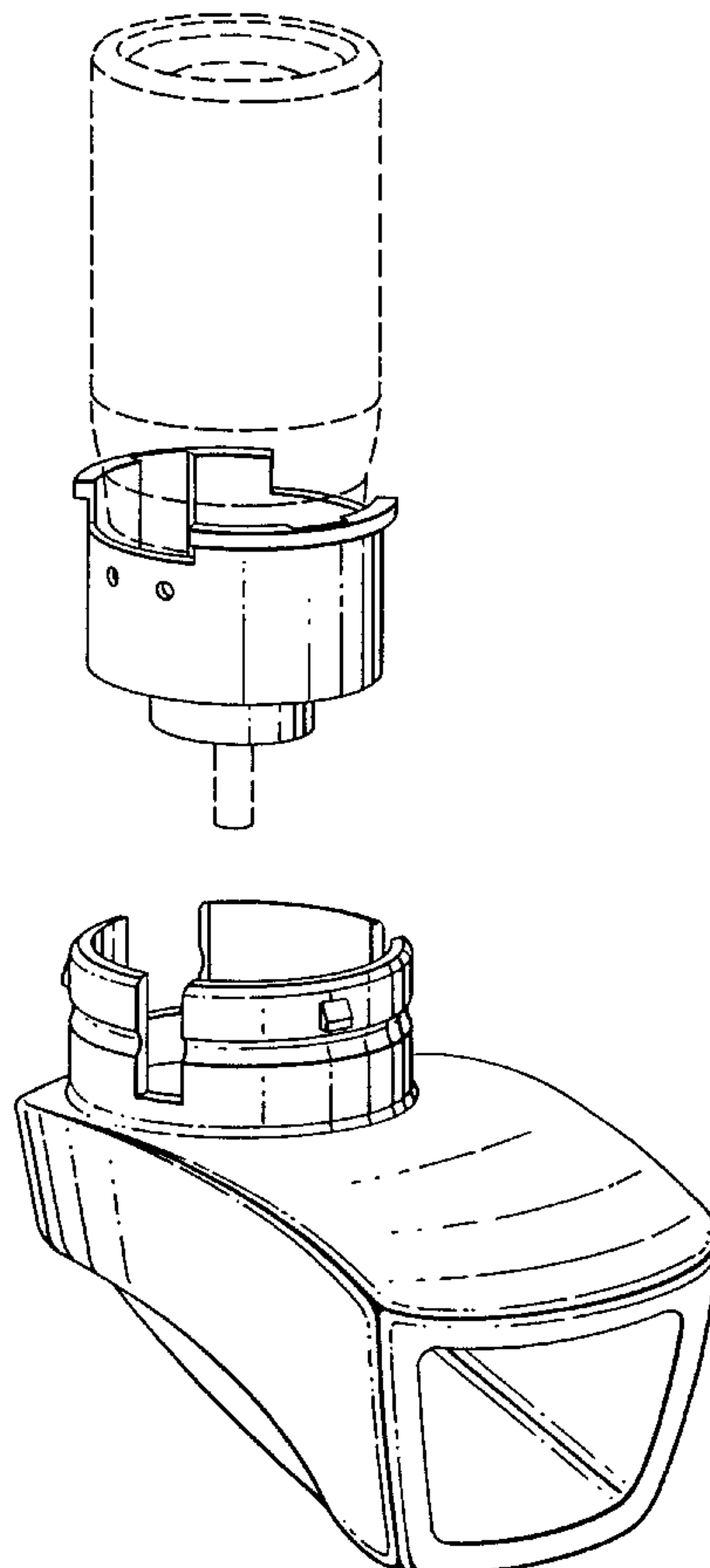
(56) **References Cited**

FIG. 4 is a side view thereof.

U.S. PATENT DOCUMENTS

D276,654 S * 12/1984 Snellman-Wasenius et al. D24/110

1 Claim, 3 Drawing Sheets



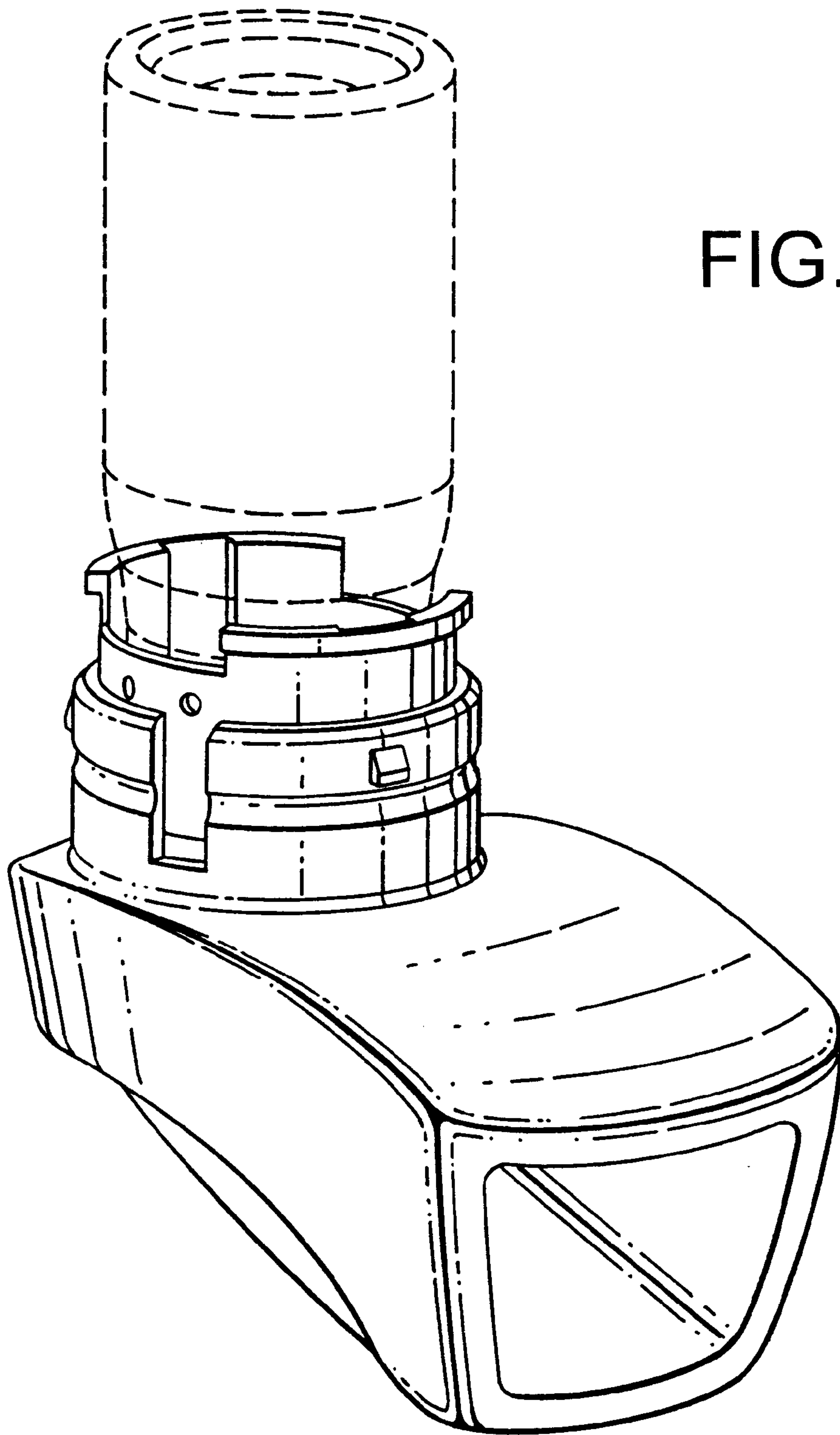


FIG. 1

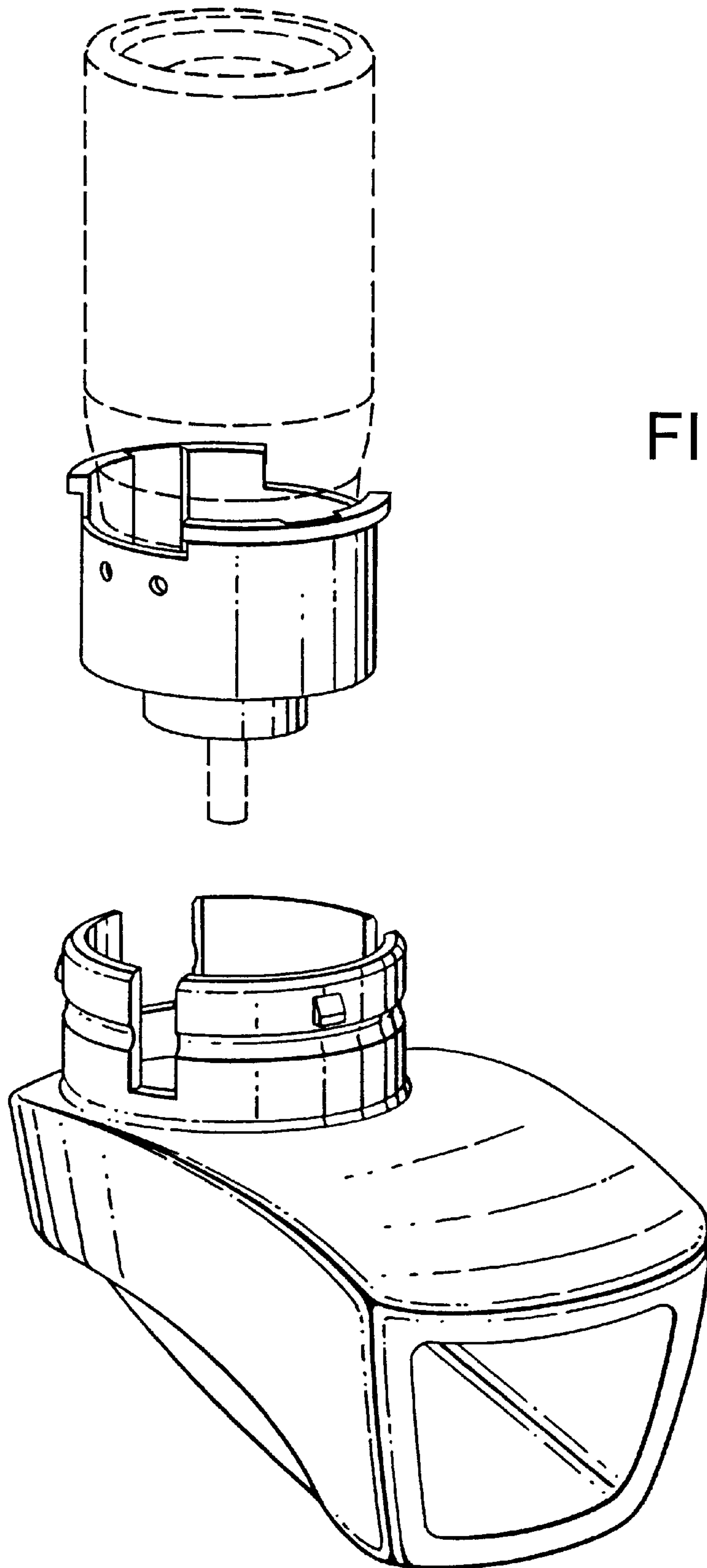


FIG.2

FIG.3

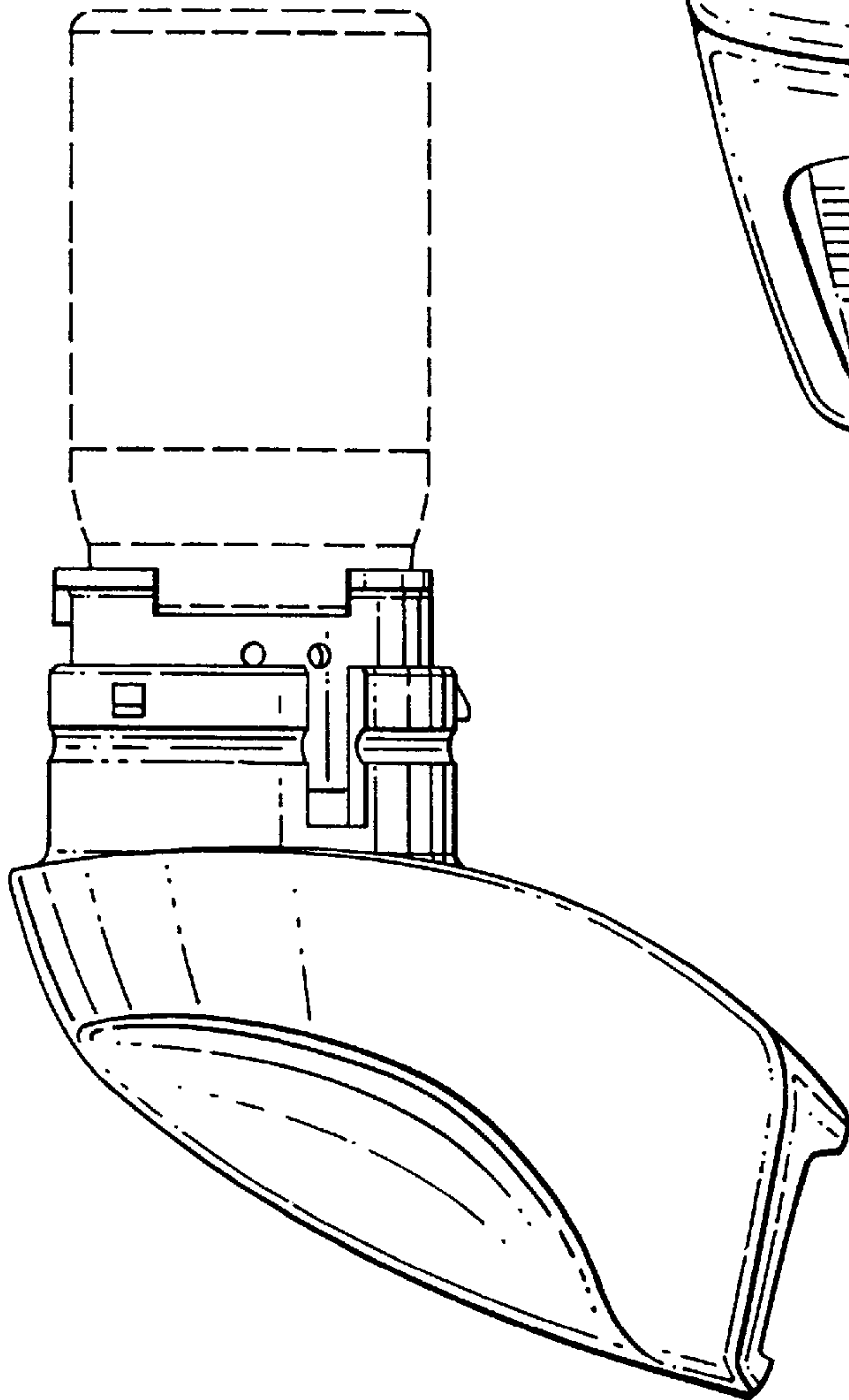
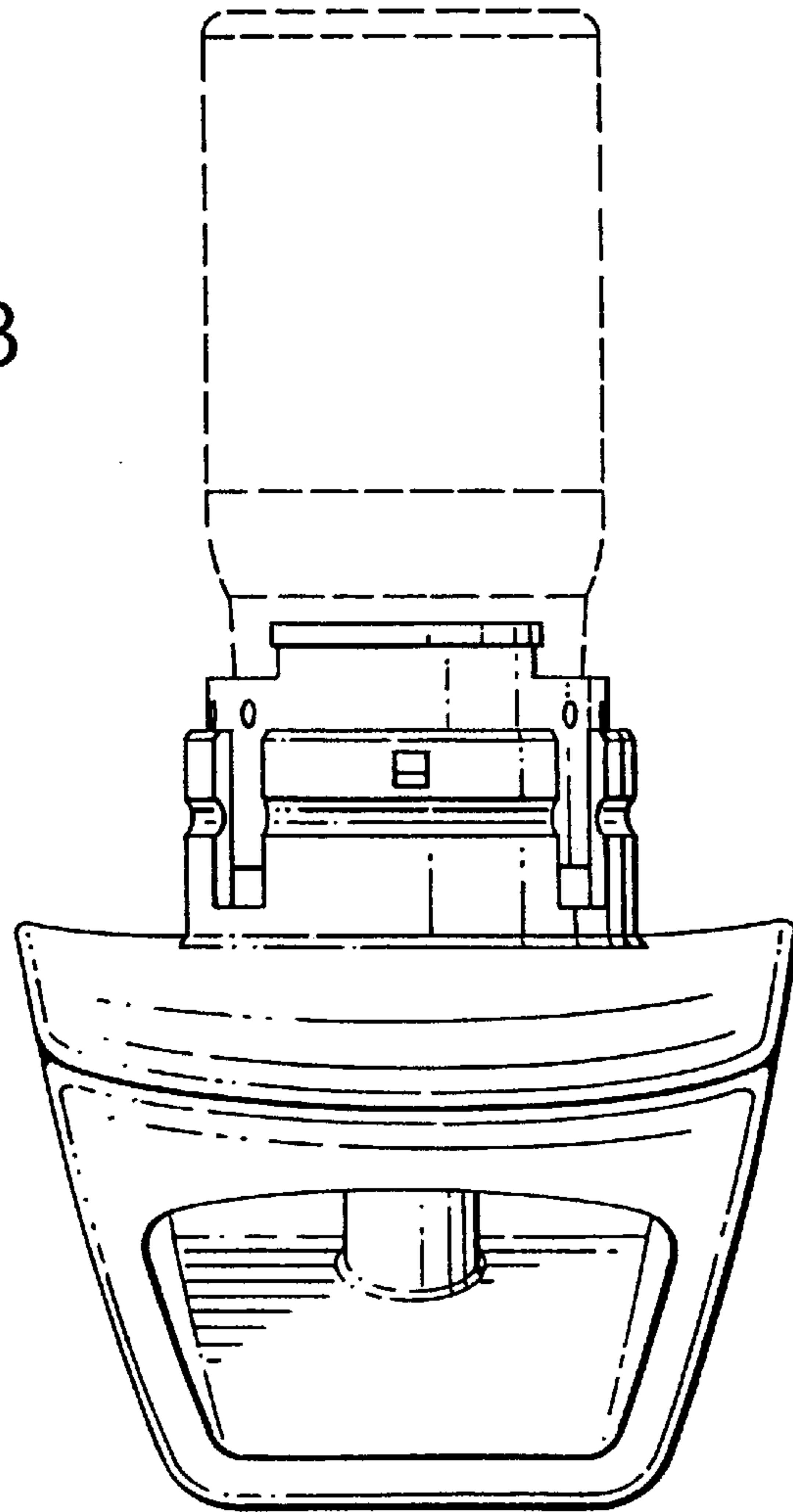


FIG.4