



US00D456503S

(12) **United States Design Patent**
Young

(10) **Patent No.:** **US D456,503 S**

(45) **Date of Patent:** **** Apr. 30, 2002**

- (54) **CEILING FAN BLADES UNIT**
- (75) Inventor: **Stanfield Young**, Cypress, CA (US)
- (73) Assignee: **Minka Lighting, Inc.**, Corona, CA (US)
- (**) Term: **14 Years**
- (21) Appl. No.: **29/140,953**
- (22) Filed: **Apr. 25, 2001**

- D430,931 S 9/2000 Dye D23/411
- D435,900 S 1/2001 Dye D23/411
- D437,927 S 2/2001 Dye D23/411

OTHER PUBLICATIONS

U.S. application No. 29/140,955, Young, filed Apr. 2001.
 U.S. application No. 29/140,954, Young, filed Apr. 2001.
 U.S. application No. 29/140,956, Young, filed Apr. 2001.
 U.S. application No. 29/140,961, Young, filed Apr. 2001.
 Minka Lighting, Inc.; MinkaAire: The Art of Air Management; Apr. 25, 1995; P. 15; Published U.S.A.
 Minka Lighting, Inc.; MinkaAire Two Thousand; Dec. 1, 1999; pp. 6-7, 59; Published in U.S.A.
 Minka Lighting, Inc.; MinkaAire Two Thousand One; Oct. 5, 2000; pp. 6-7, 14-15; Published in U.S.A.
 Japanese Patent No. 62-199997 by Kaoru Watanabe.

Related U.S. Application Data

- (63) Continuation-in-part of application No. 29/136,797, filed on Feb. 6, 2001.
- (51) **LOC (7) Cl.** **23-04**
- (52) **U.S. Cl.** **D23/413**
- (58) **Field of Search** D23/377, 379, D23/385, 411, 413; 416/5; 392/364; 362/96

* cited by examiner

Primary Examiner—Lisa Lichtenstein
 (74) *Attorney, Agent, or Firm*—Jenkins & Gilchrist, P.C.

(56) **References Cited**

U.S. PATENT DOCUMENTS

- D82,179 S 9/1930 Ringwald
- 3,033,049 A 5/1962 Morrow
- 4,123,198 A 10/1978 Harbord 416/243
- 4,358,245 A 11/1982 Gray 416/189
- D270,942 S 10/1983 McCain D23/379
- D295,555 S 5/1988 Greenberg D23/385
- D304,229 S 10/1989 Rezek D23/377
- D305,059 S 12/1989 Miranda et al. D23/377
- D312,688 S 12/1990 Mason D23/377
- D314,046 S 1/1991 Yen D23/377
- D322,310 S 12/1991 Chen D23/377
- D323,028 S 1/1992 Holbrook D23/377
- 5,297,931 A 3/1994 Yapp et al. 415/208.1
- D380,539 S 7/1997 Liu D23/377
- D393,902 S 4/1998 Pickett D23/377
- D399,949 S * 10/1998 Chou D23/413
- D428,986 S 8/2000 Dye D23/411

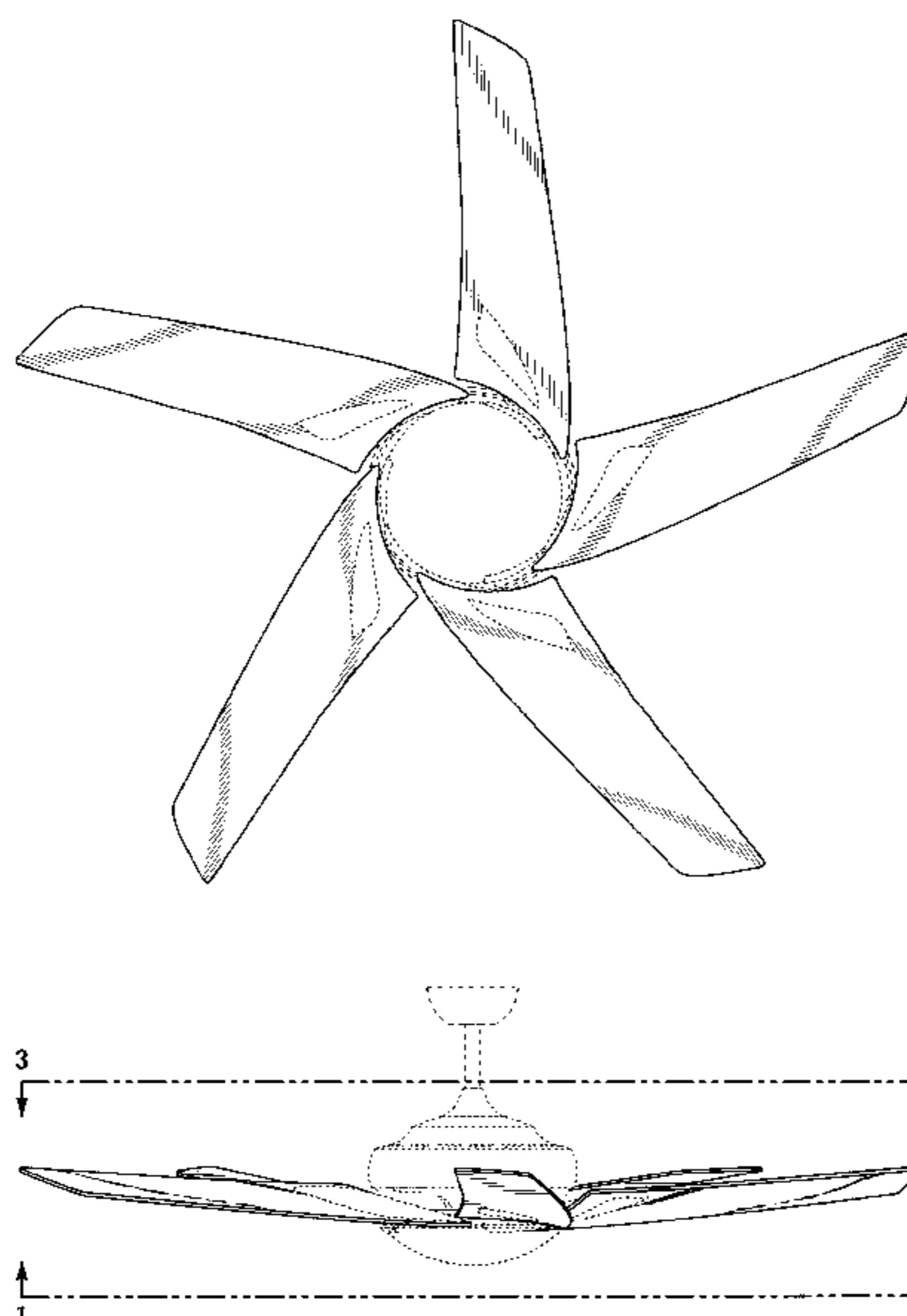
(57) **CLAIM**

The ornamental design for a ceiling fan blades unit, as shown and described.

DESCRIPTION

FIG. 1 is a bottom plan view of the ceiling fan blades unit in accordance with my design taken along line 1—1 in FIG. 2;
 FIG. 2 is a front elevation view of the ceiling fan blades unit in accordance with my design, the rear and the side views being substantially identical to that shown except for the position of the blades; and,
 FIG. 3 is a top plan view of the ceiling fan blades unit in accordance with my design taken along line 3—3 in FIG. 2. The broken line showing of environmental structure in FIGS. 1-3 is for illustrative purposes only and forms no part of the claimed design.

1 Claim, 2 Drawing Sheets



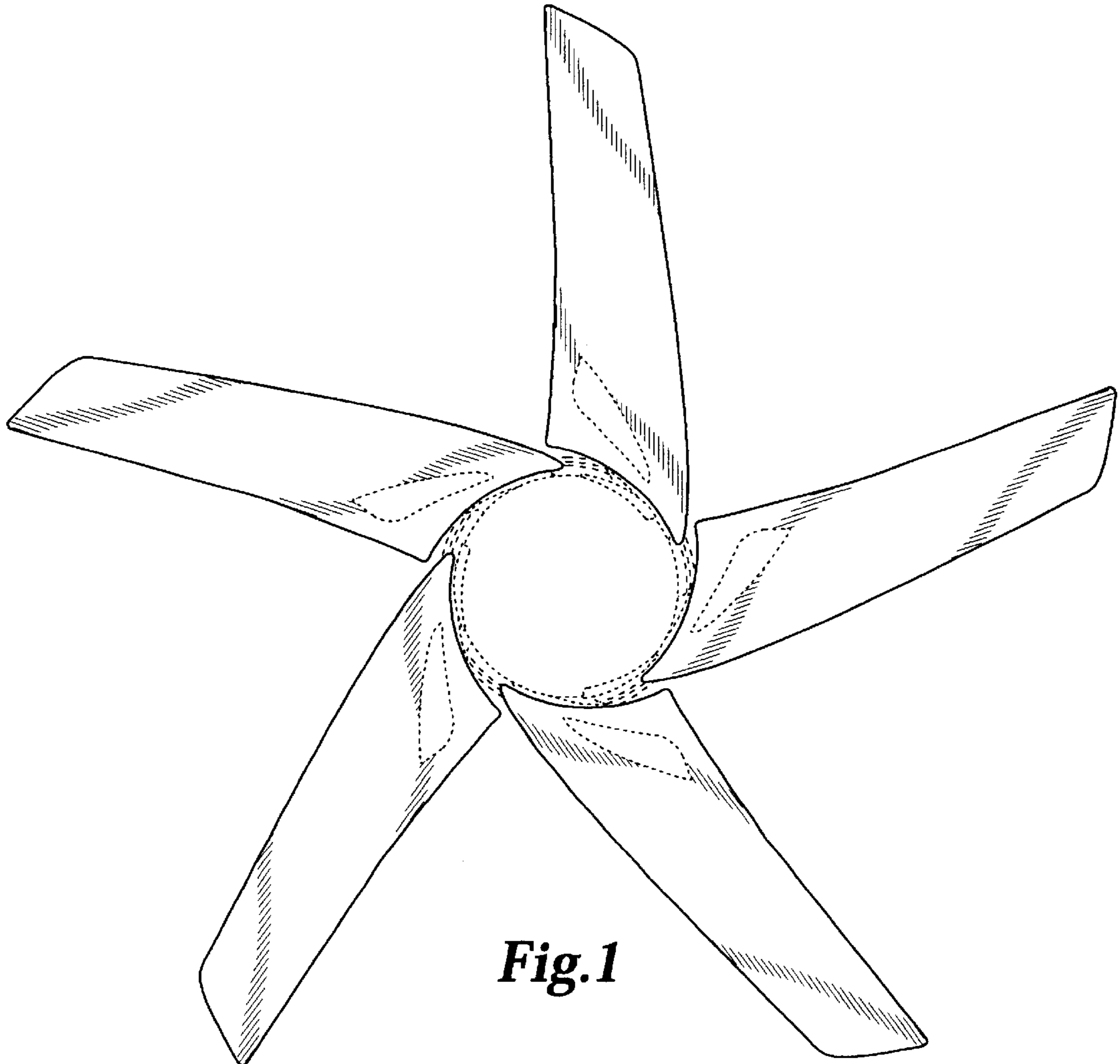


Fig.1

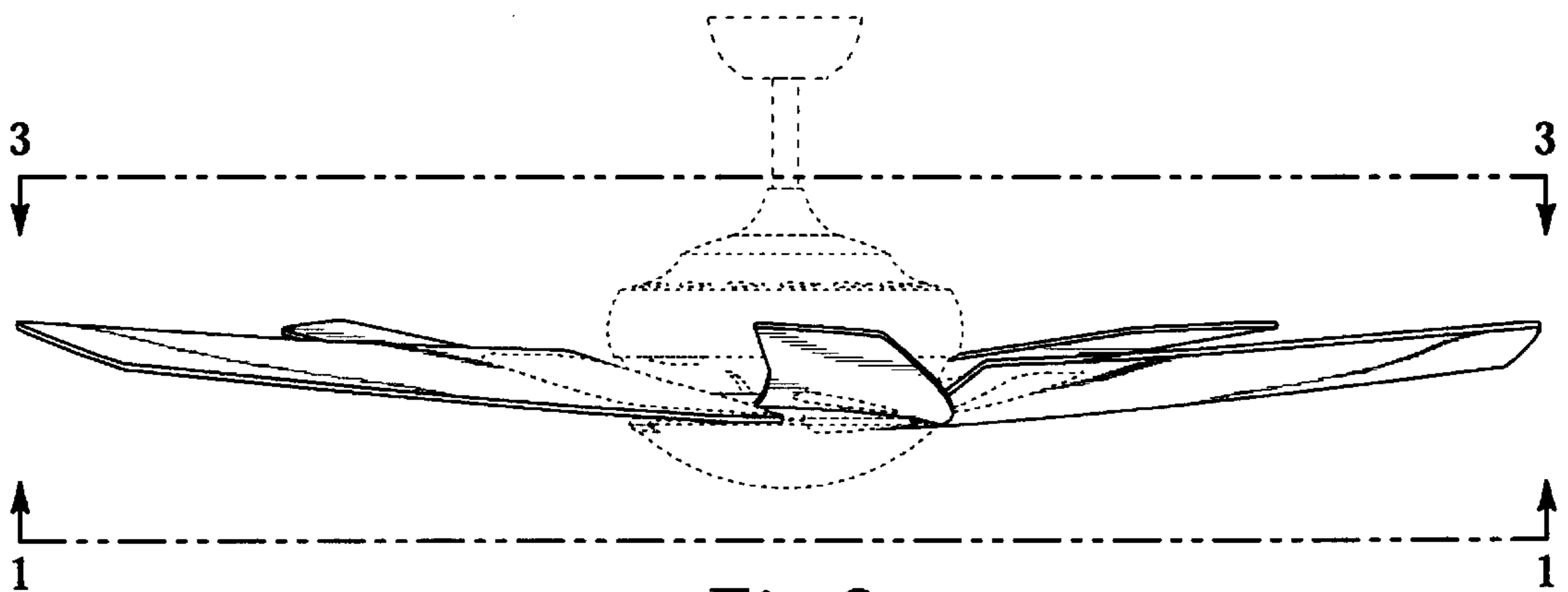


Fig.2

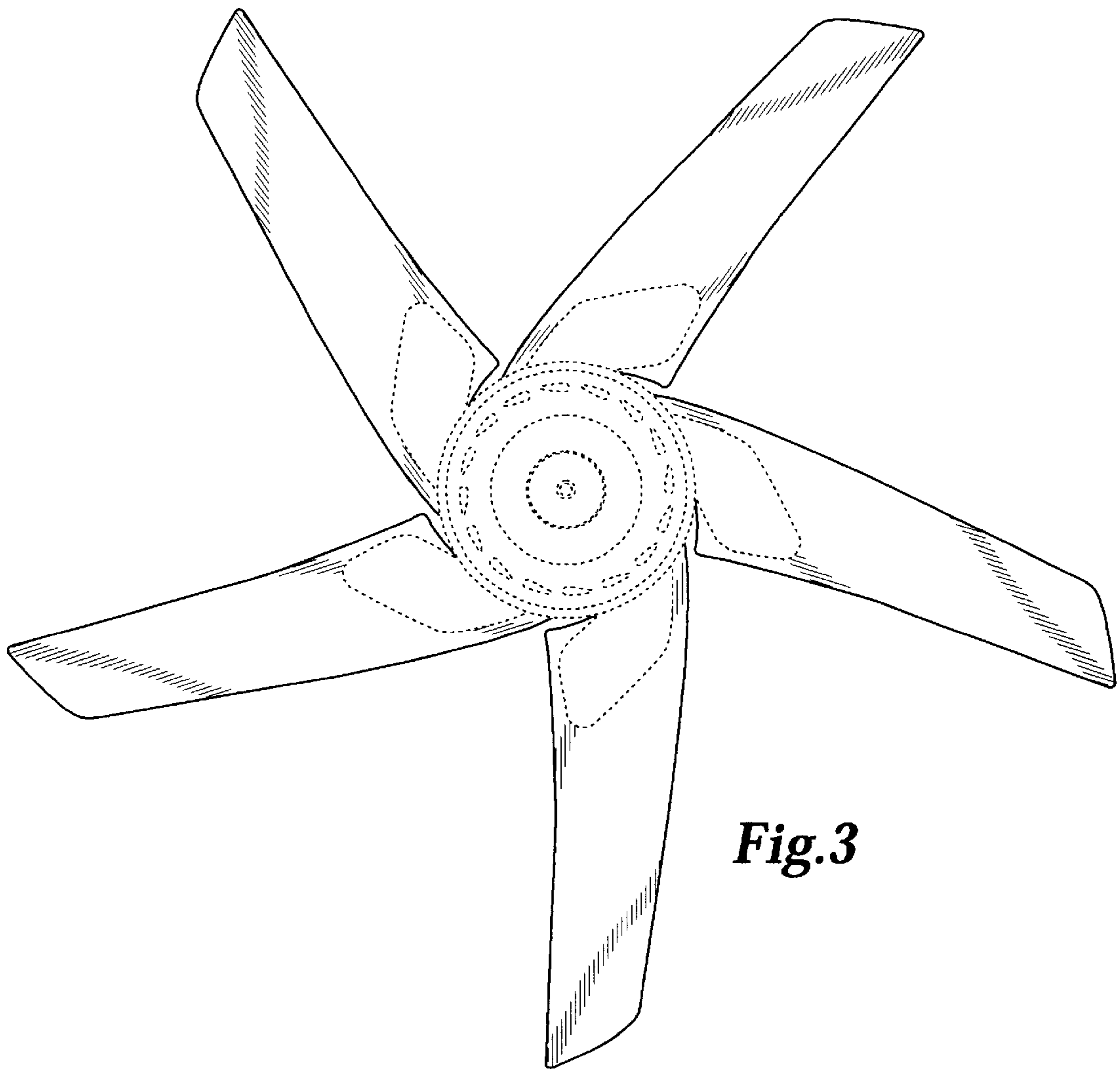


Fig.3