



US00D456501S

(12) **United States Design Patent**
Chen

(10) **Patent No.:** **US D456,501 S**

(45) **Date of Patent:** **** Apr. 30, 2002**

(54) **OUTDOOR GRILL**

(76) Inventor: **Joe Chen**, 40 Bedminster Rd.,
Randolph, NJ (US) 07869

(**) Term: **14 Years**

(21) Appl. No.: **29/130,828**

(22) Filed: **Oct. 10, 2000**

(51) **LOC (7) Cl.** **23-03**

(52) **U.S. Cl.** **D23/343; D7/332**

(58) **Field of Search** **D7/332, 334, 335,**
D7/336, 337, 402, 409; 126/25 R, 25 A,
25 AA, 41 R, 29-30, 9 R, 9 B, 4, 6, 506,
519; D23/343, 348, 350, 317, 332, 334-336,
338-339; 99/443, 450, 421 R; 248/156

(56) **References Cited**

U.S. PATENT DOCUMENTS

4,062,340 A	12/1977	Huff	
D258,259 S	* 2/1981	Lindholm D7/332
D264,117 S	* 4/1982	Jensen D23/343
D293,191 S	* 12/1987	Stephen et al. D7/332
5,094,223 A	* 3/1992	Gonzalez 126/25 R
D352,864 S	11/1994	Parker	
5,404,801 A	4/1995	Holland	
D370,380 S	6/1996	McGourthy, Jr. et al.	
D370,823 S	6/1996	Traeger et al.	
D373,282 S	9/1996	Cordero	
D375,347 S	* 11/1996	Whalen et al. D23/317
D381,240 S	7/1997	Home	
D396,598 S	8/1998	Van Der Woude	
D396,599 S	8/1998	Smith, Jr.	
D397,428 S	* 8/1998	Reitsma et al. D23/348

5,832,915 A	* 11/1998	Skidmore et al. 126/9 R
D410,812 S	6/1999	Pai	
D414,374 S	9/1999	Ting	
5,947,013 A	9/1999	Stewart, Jr.	
D414,648 S	10/1999	Demirjian	
D417,362 S	12/1999	Ting	
D420,115 S	* 2/2000	Bach et al. D23/348
D420,242 S	2/2000	Chiang	
D425,366 S	5/2000	Pai	
D426,101 S	6/2000	Pai	
D427,840 S	7/2000	Pai	
D428,760 S	8/2000	Huang	
D430,776 S	9/2000	Pai	
D435,387 S	12/2000	Pai	
D440,289 S	* 4/2001	Olson et al. D23/350
6,286,503 B1	* 9/2001	Bach et al. 126/519

* cited by examiner

Primary Examiner—Ruth McInroy

(74) *Attorney, Agent, or Firm*—Dilworth & Barrese, LLP

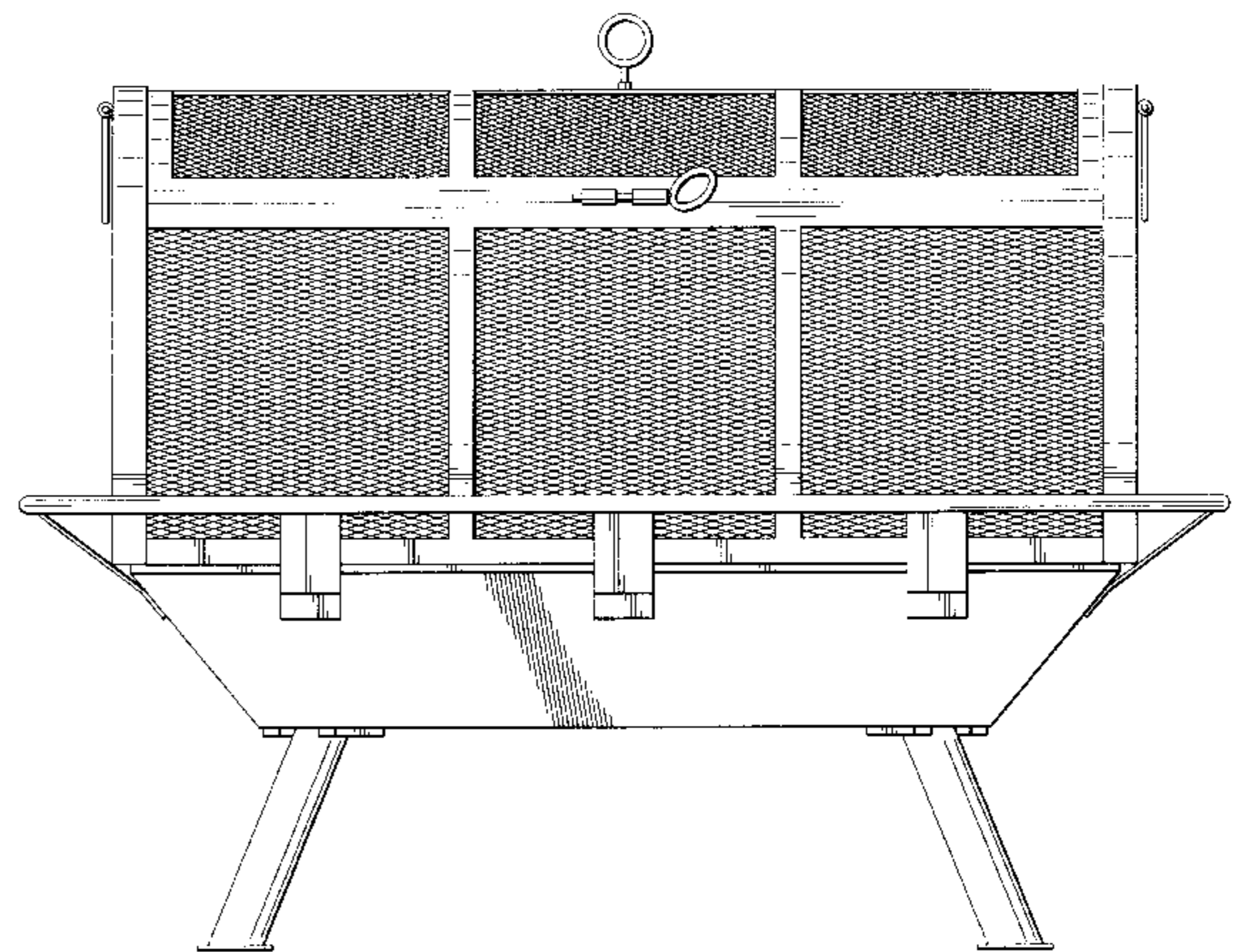
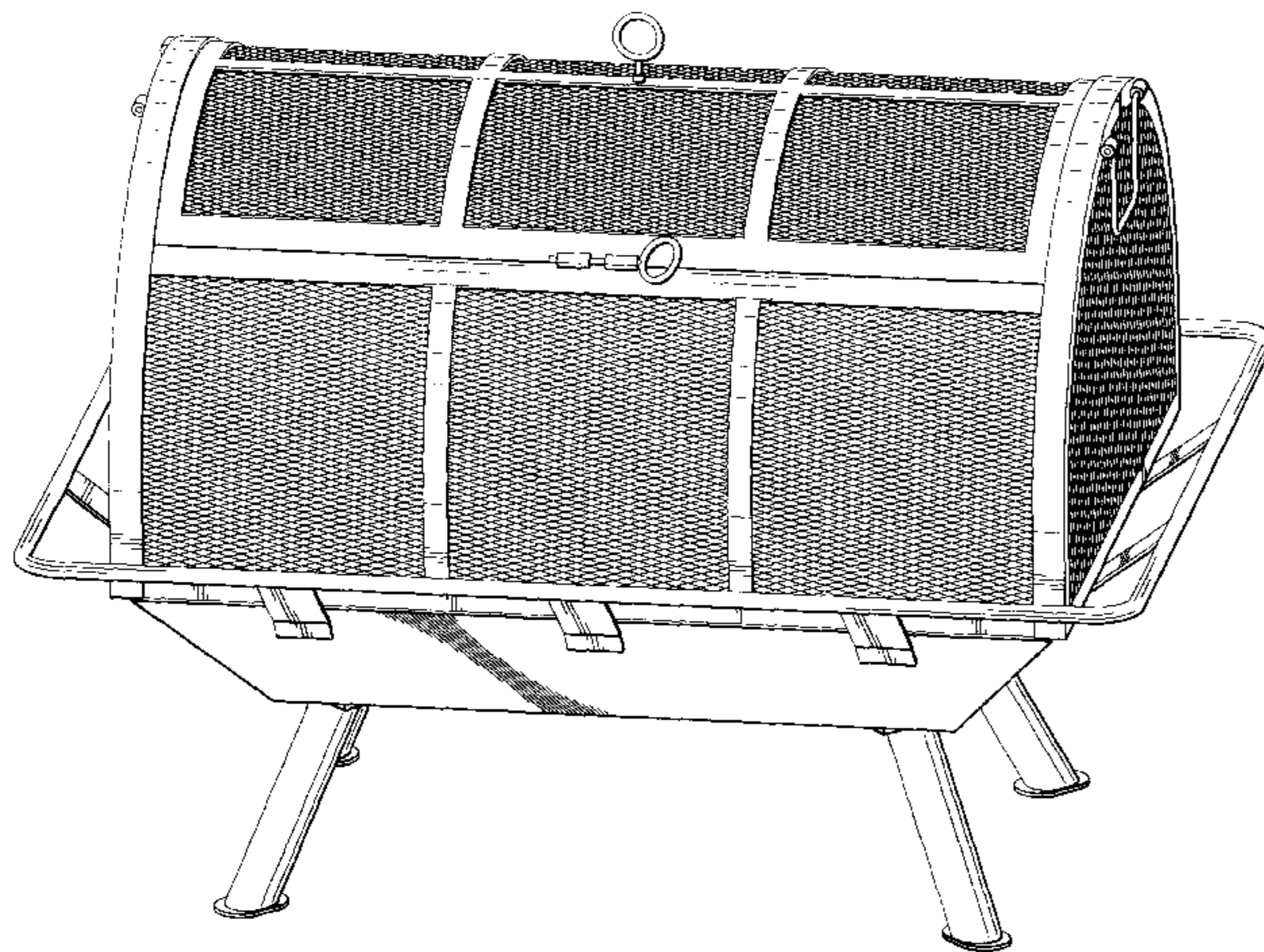
(57) **CLAIM**

The ornamental design of an outdoor grill, as shown and described.

DESCRIPTION

FIG. 1 is a perspective view of an outdoor grill showing my new design;
FIG. 2 is a front elevational view thereof;
FIG. 3 is a right side elevational view thereof;
FIG. 4 is a rear view thereof;
FIG. 5 is a left side elevational view thereof;
FIG. 6 is a top plan view thereof; and,
FIG. 7 is a bottom view thereof.

1 Claim, 7 Drawing Sheets



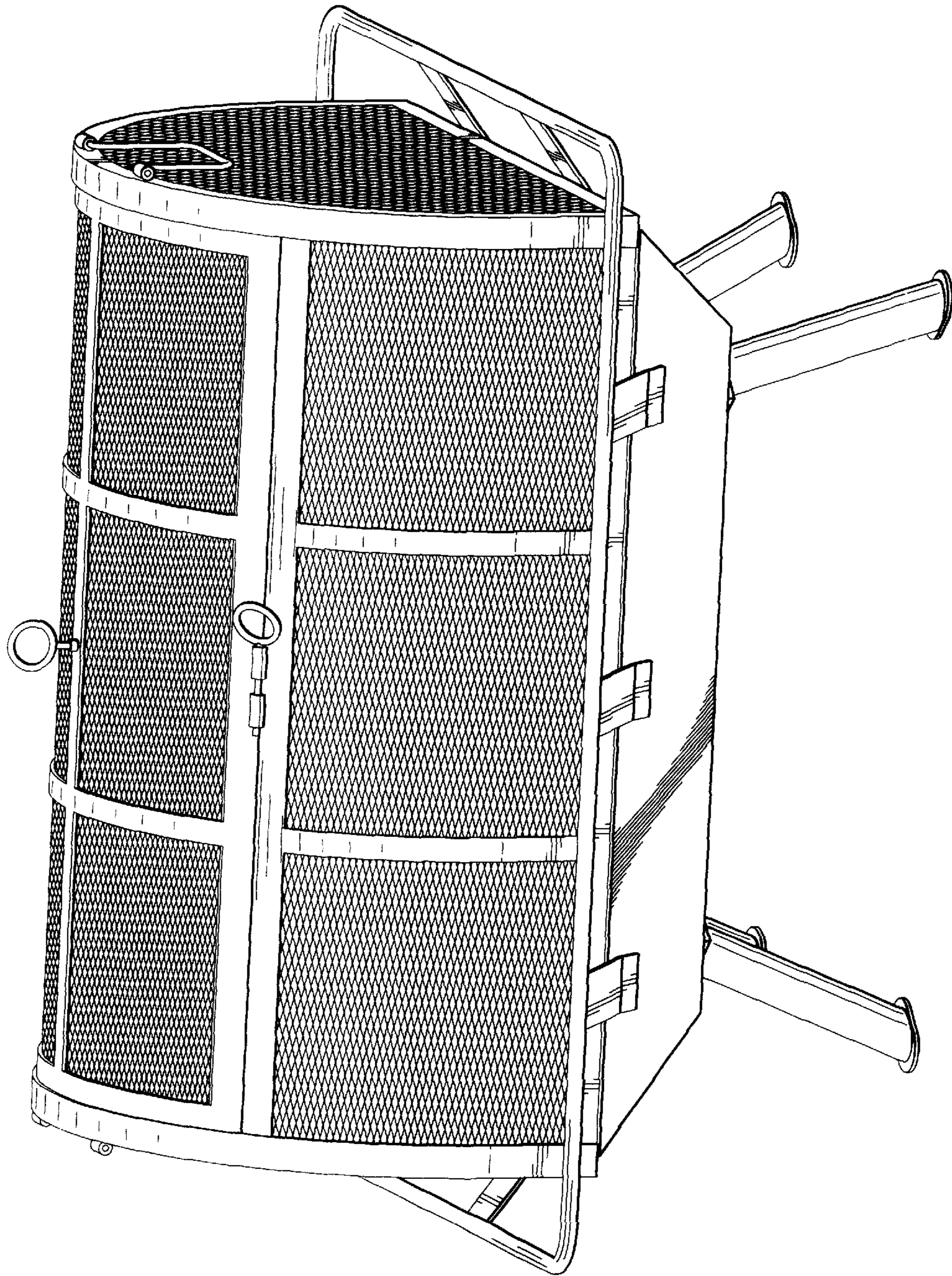


FIG 1

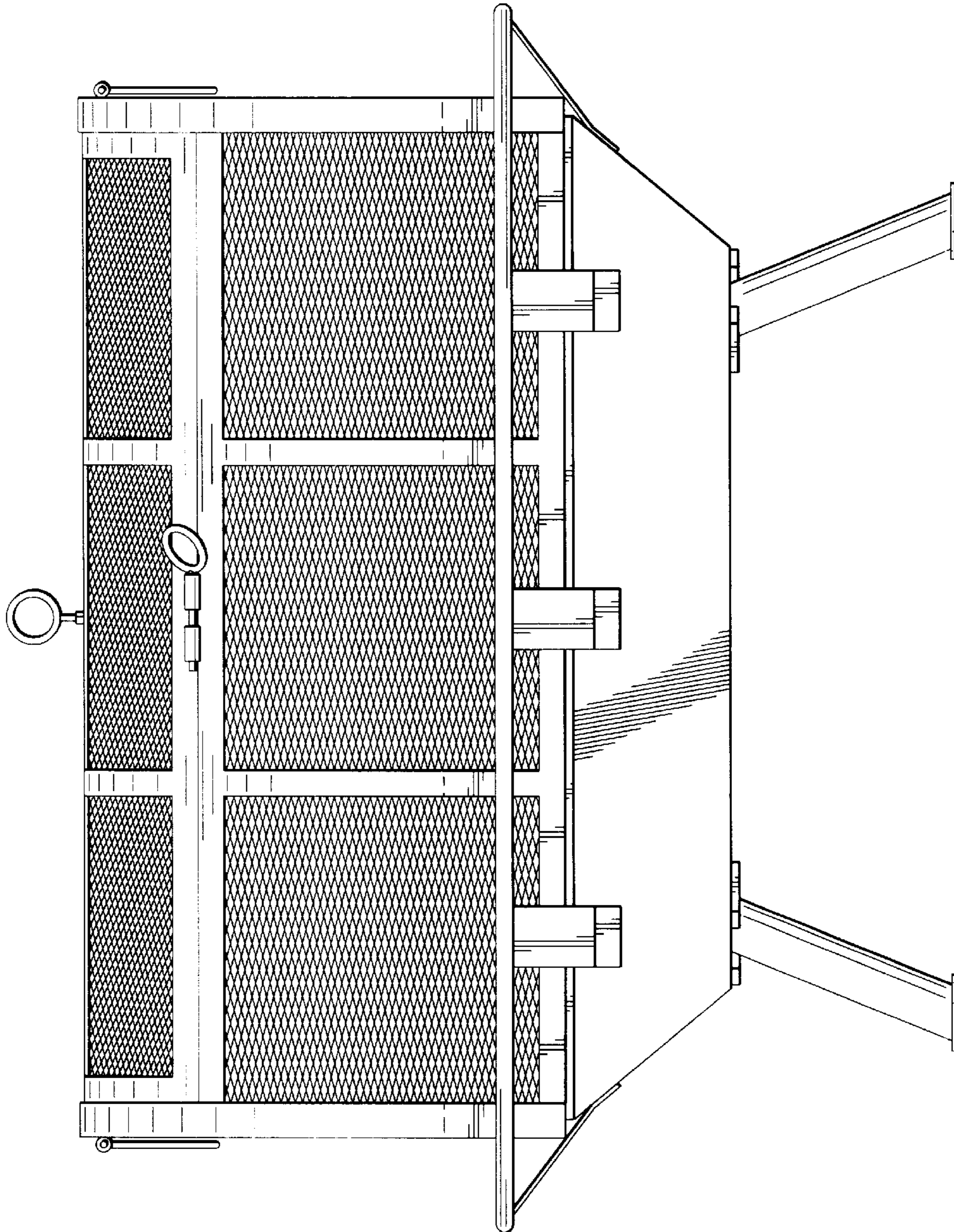


FIG 2

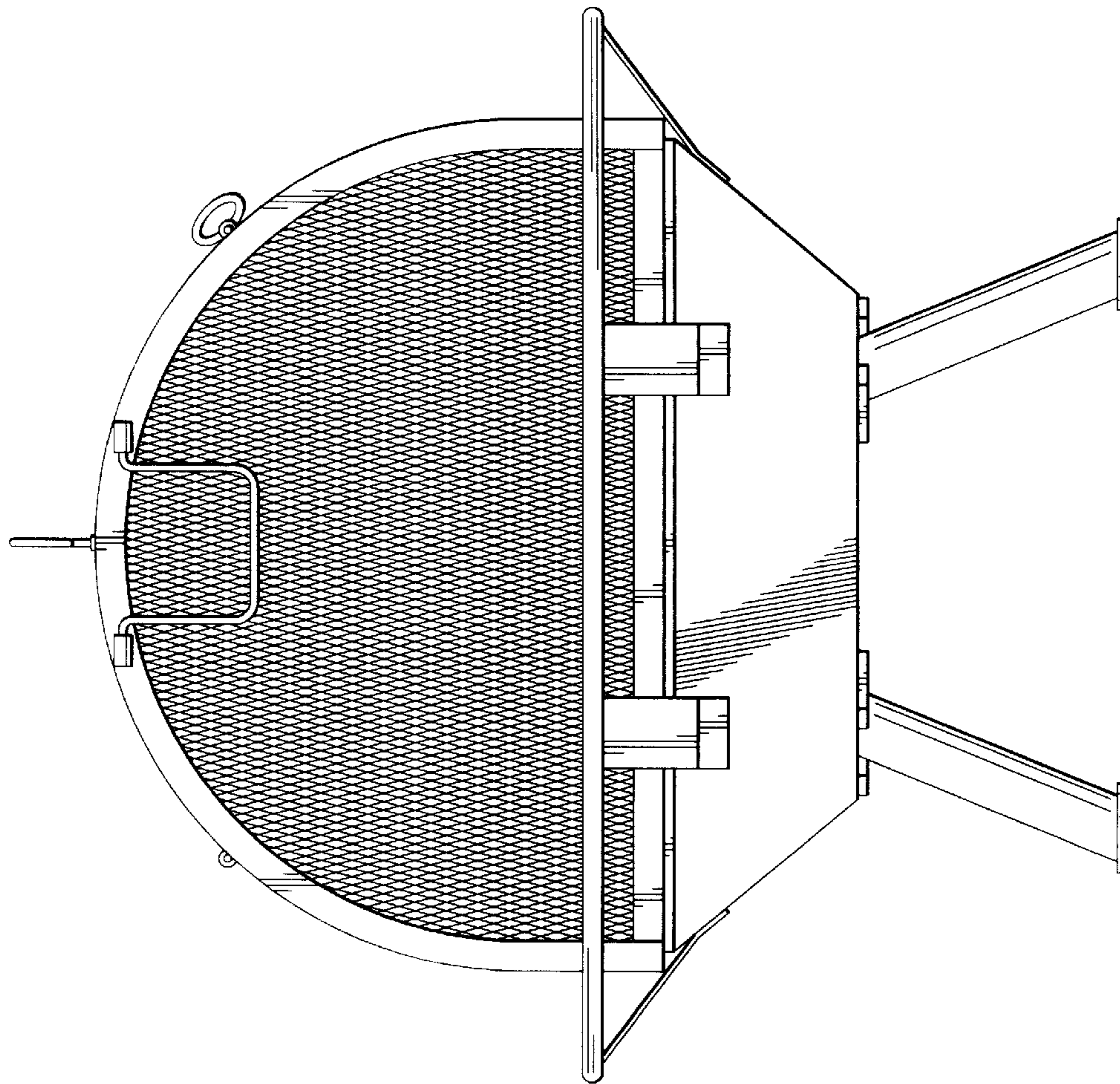


FIG 3

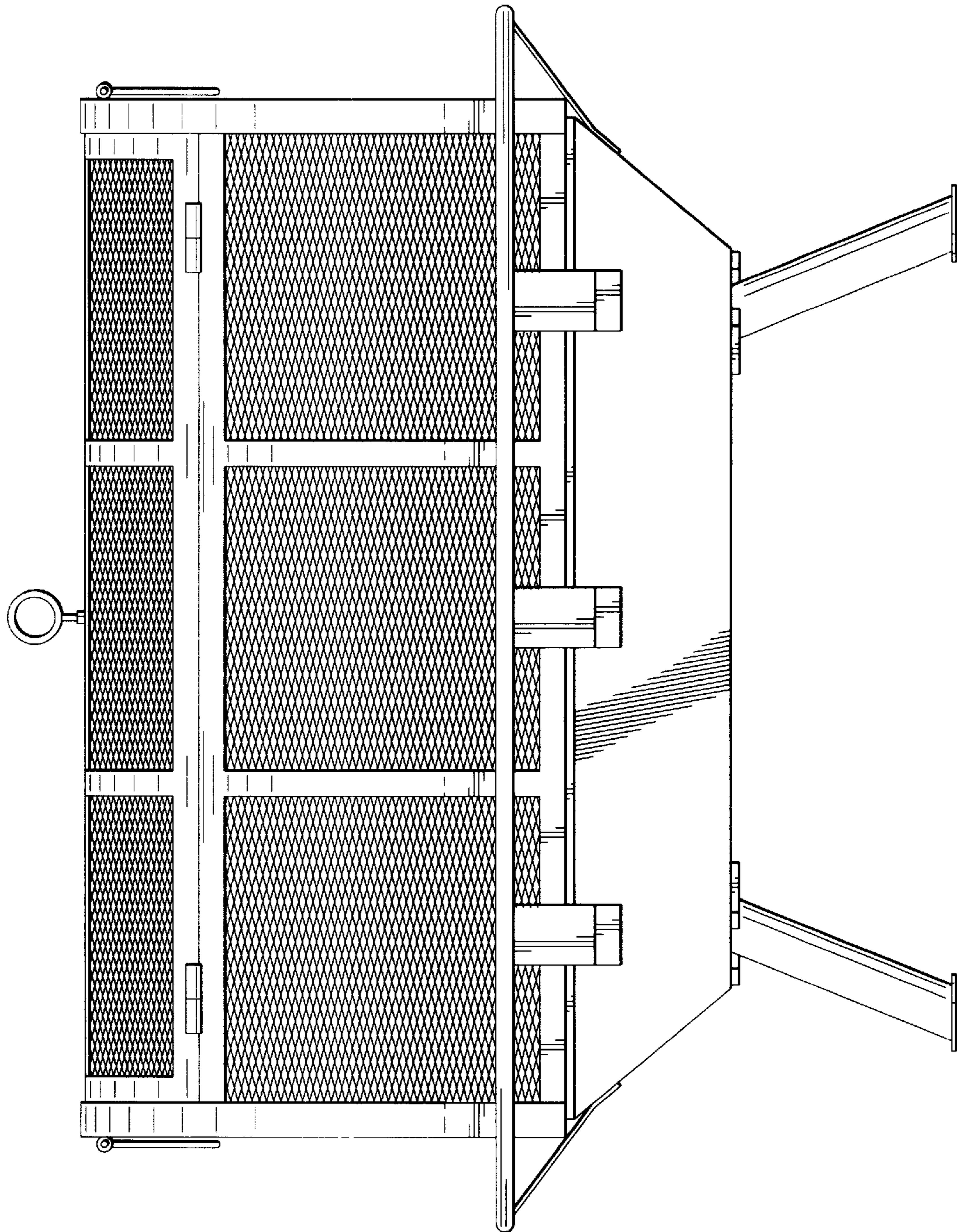


FIG 4

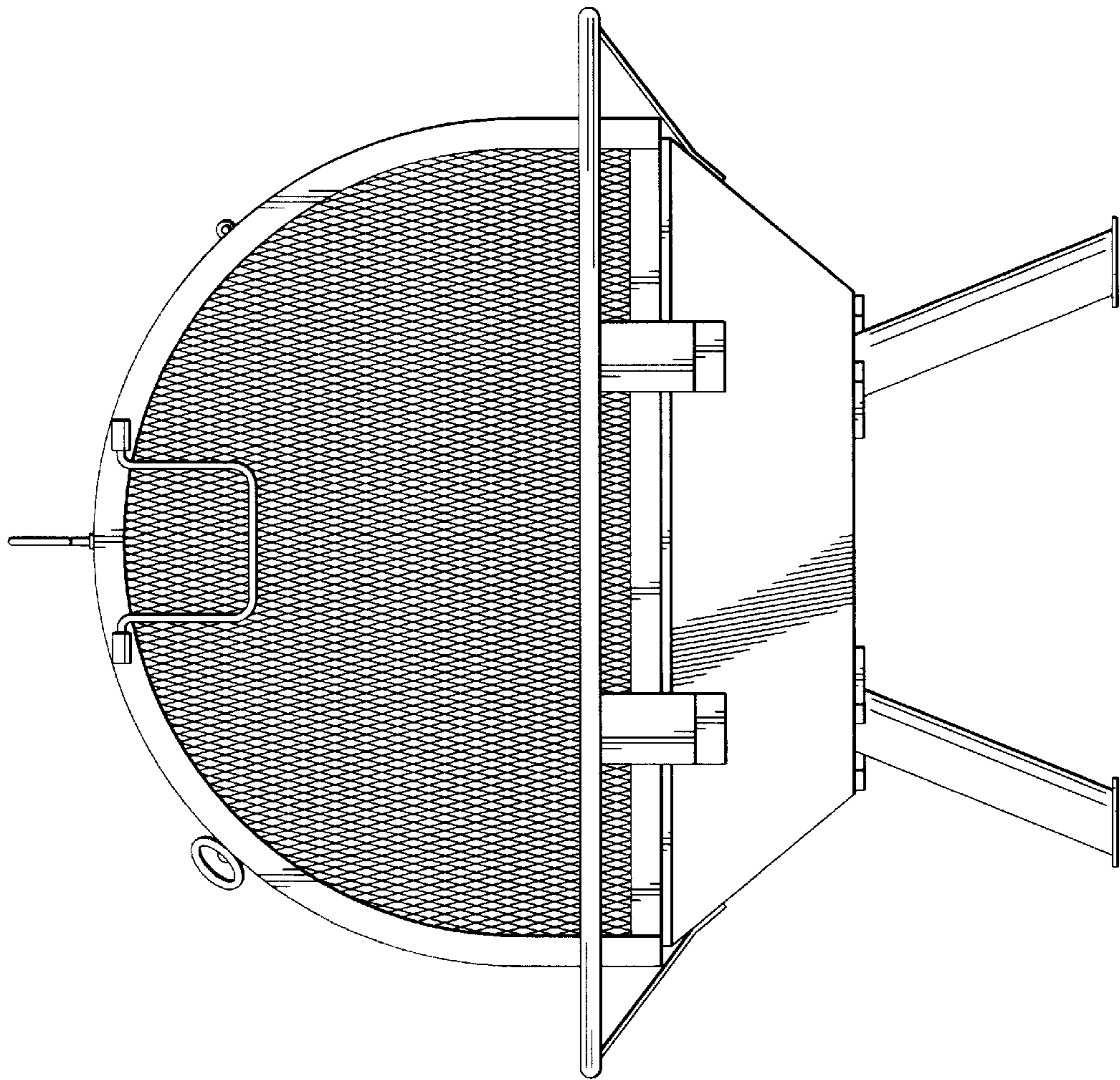


FIG 5

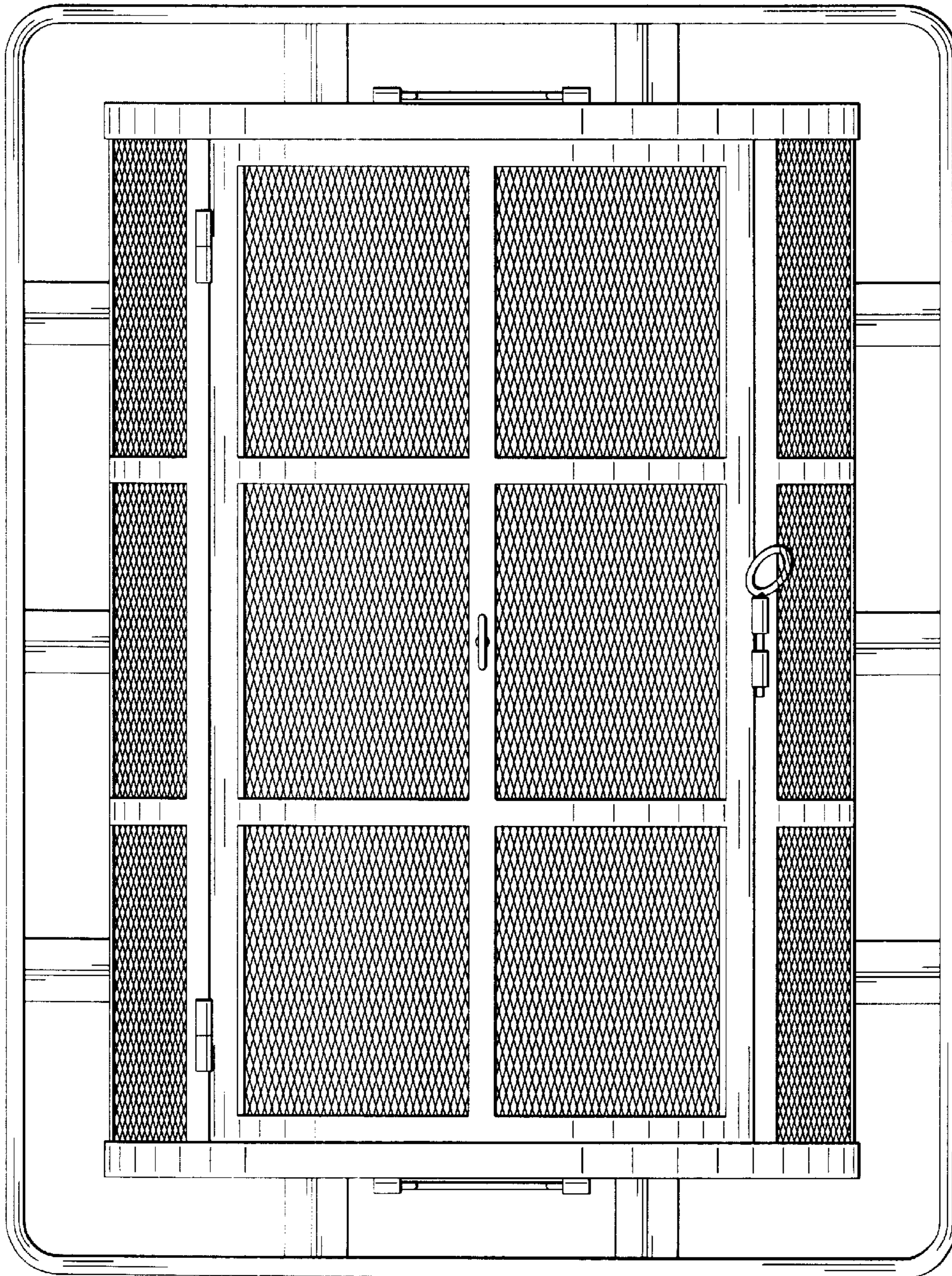


FIG 6

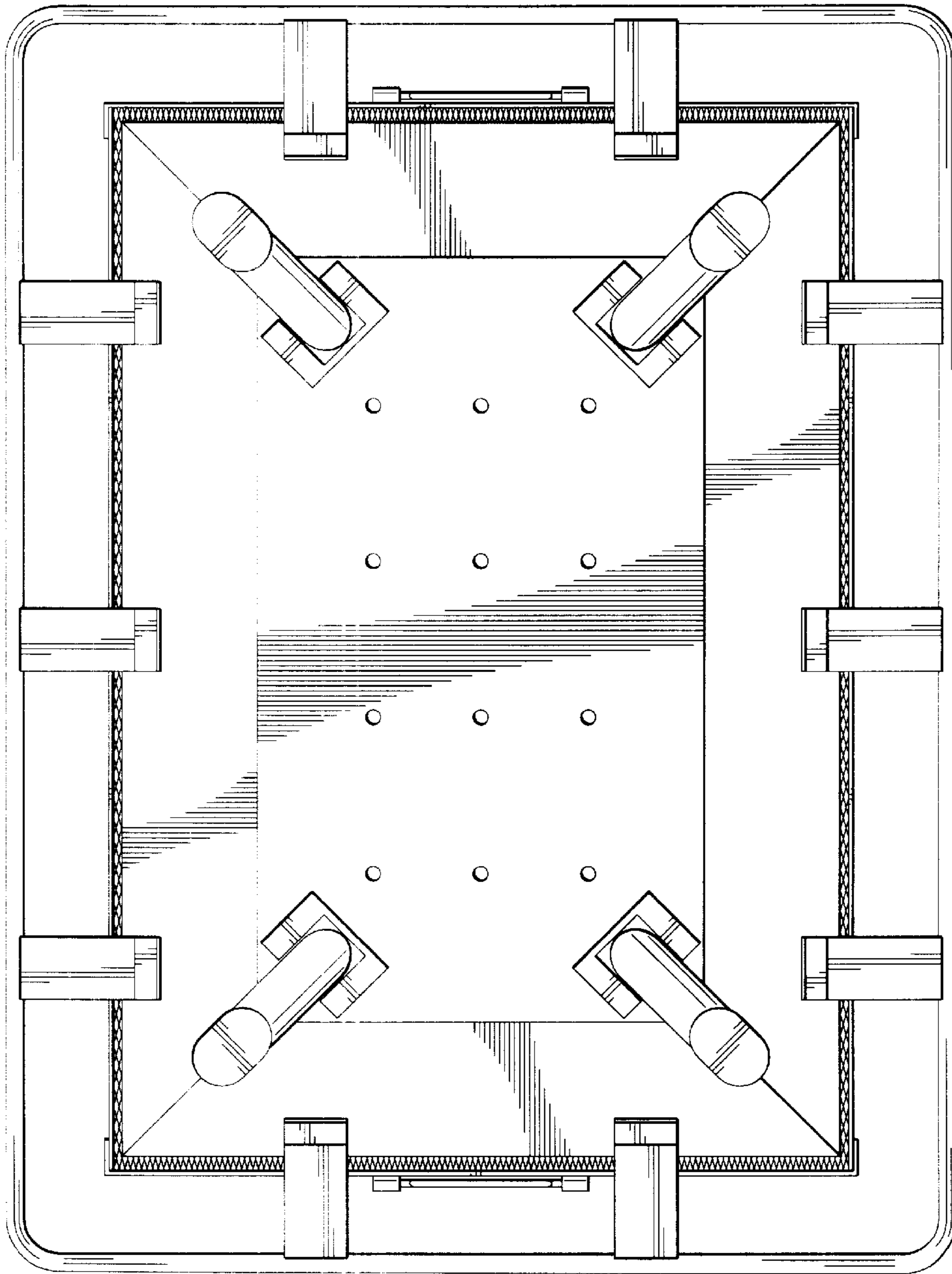


FIG 7