



US00D456498S

(12) **United States Design Patent**
Jeng

(10) **Patent No.:** **US D456,498 S**

(45) **Date of Patent:** **** Apr. 30, 2002**

(54) **COMBINED GAS HEATER AND TABLE**

(75) **Inventor:** **Chary Jeng**, City of Industry, CA (US)

(73) **Assignee:** **Berkeley Products, Inc.**, City of Industry, CA (US)

(**) **Term:** **14 Years**

(21) **Appl. No.:** **29/146,232**

(22) **Filed:** **Aug. 6, 2001**

Related U.S. Application Data

(63) Continuation-in-part of application No. 29/112,849, filed on Oct. 21, 1999, now Pat. No. Des. 446,290.

(51) **LOC (7) Cl.** **23-03**

(52) **U.S. Cl.** **D23/328; D6/487; D23/342**

(58) **Field of Search** D23/332, 335, D23/336, 338, 339, 340, 342, 328; 126/59, 575, 92 B, 85 R, 83, 90 R, 90 A, 225, 25 R, 25 B; D26/51, 58, 59; D6/486-8, 399, 511, 484, 487, 488, 489, 499; 362/92, 217, 253

(56) **References Cited**

U.S. PATENT DOCUMENTS

D42,178 S * 2/1912 Roy

- D187,490 S * 3/1960 Hammes
- 3,251,356 A * 5/1966 Prince et al.
- 3,934,572 A * 1/1976 Teague, Jr.
- D325,963 S * 5/1992 Anderson
- D355,801 S * 2/1995 Klein
- D383,018 S * 9/1997 Grosfillex
- D418,342 S * 1/2000 Von Gunten et al.
- D429,324 S * 8/2000 Olson et al.
- 6,192,878 B1 * 2/2001 Waters

* cited by examiner

Primary Examiner—B. J. Bullock

(74) *Attorney, Agent, or Firm*—Frank Frisenda

(57) **CLAIM**

The ornamental design for a combined gas heater and table, as shown and described.

DESCRIPTION

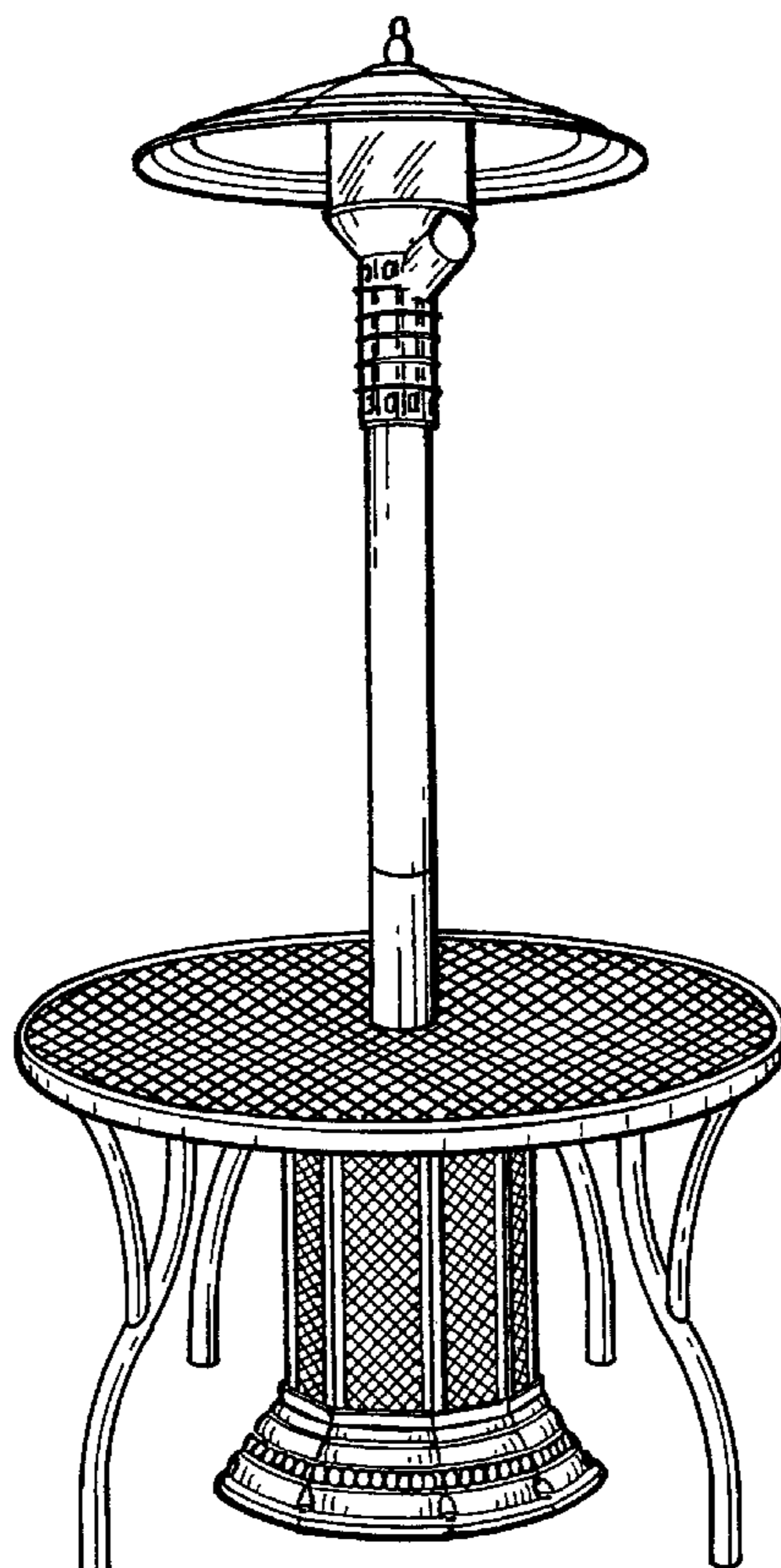
FIG. 1 is a front view showing my new combined gas heater and table in one embodied form.

FIG. 2 is a left side view of my design shown in FIG. 1;

FIG. 3 is a top plan view of my design shown in FIG. 1; and,

FIG. 4 is a bottom view of my design shown in FIG. 1.

1 Claim, 2 Drawing Sheets



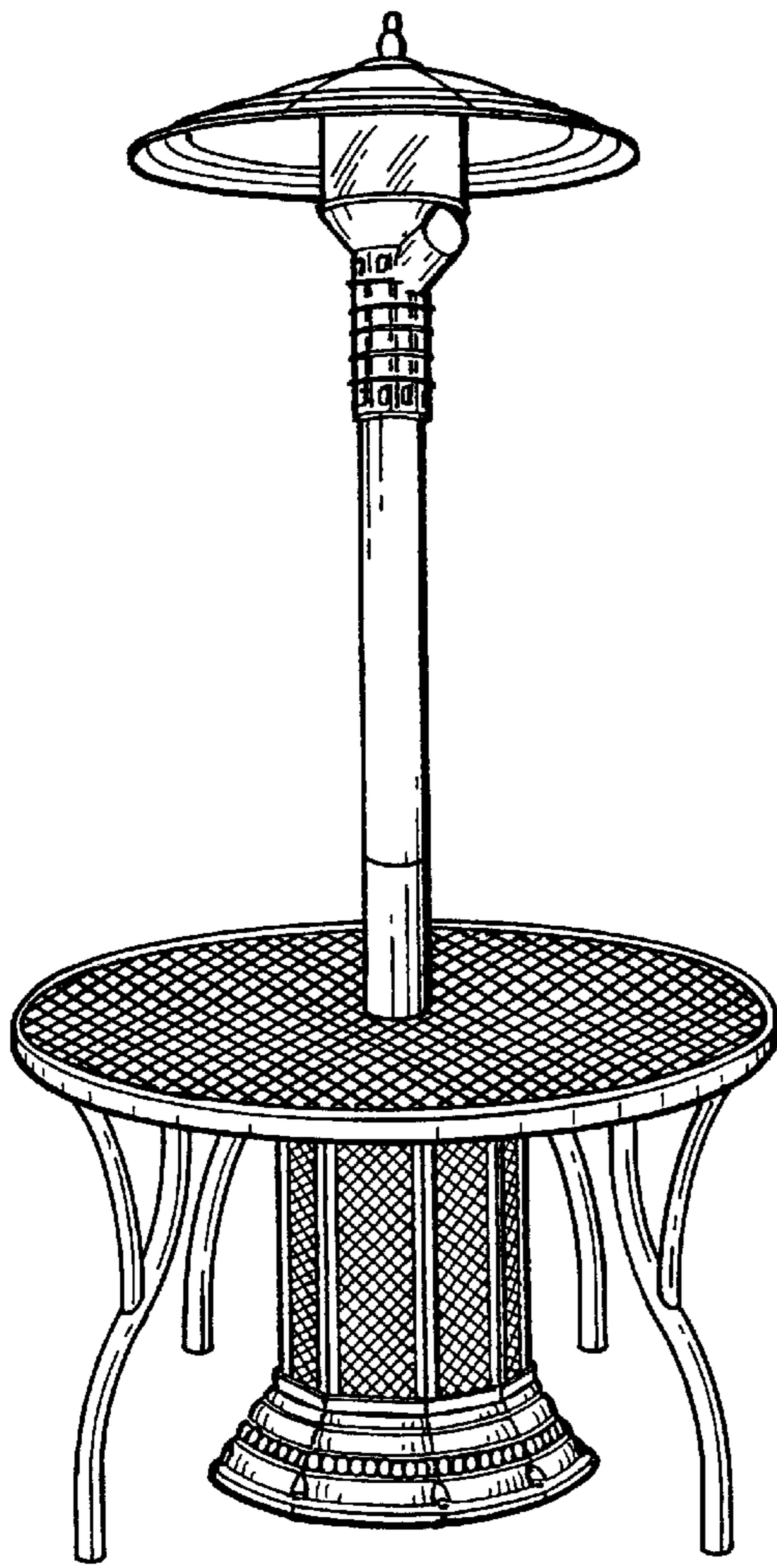


FIG. 1

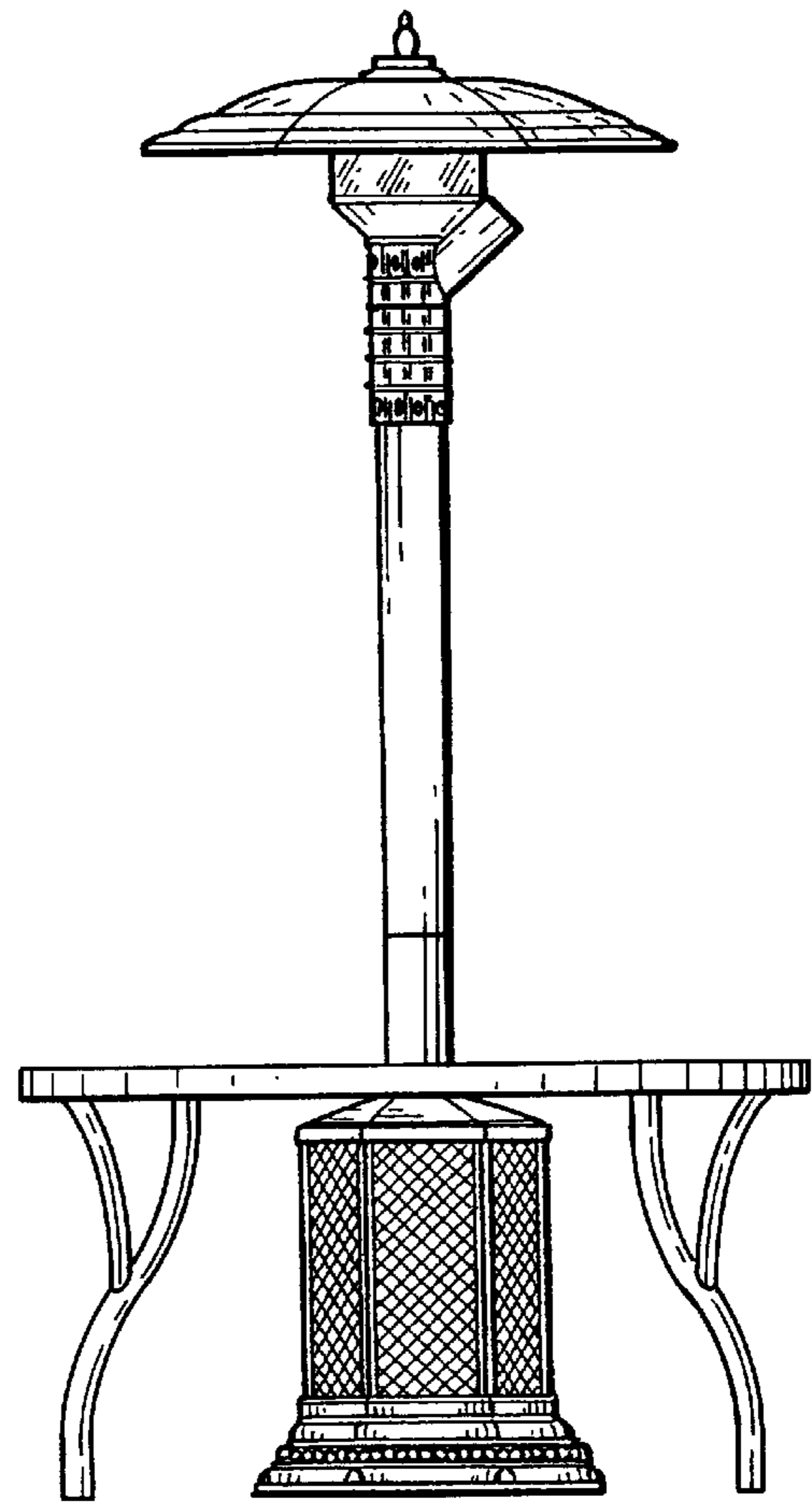


FIG. 2

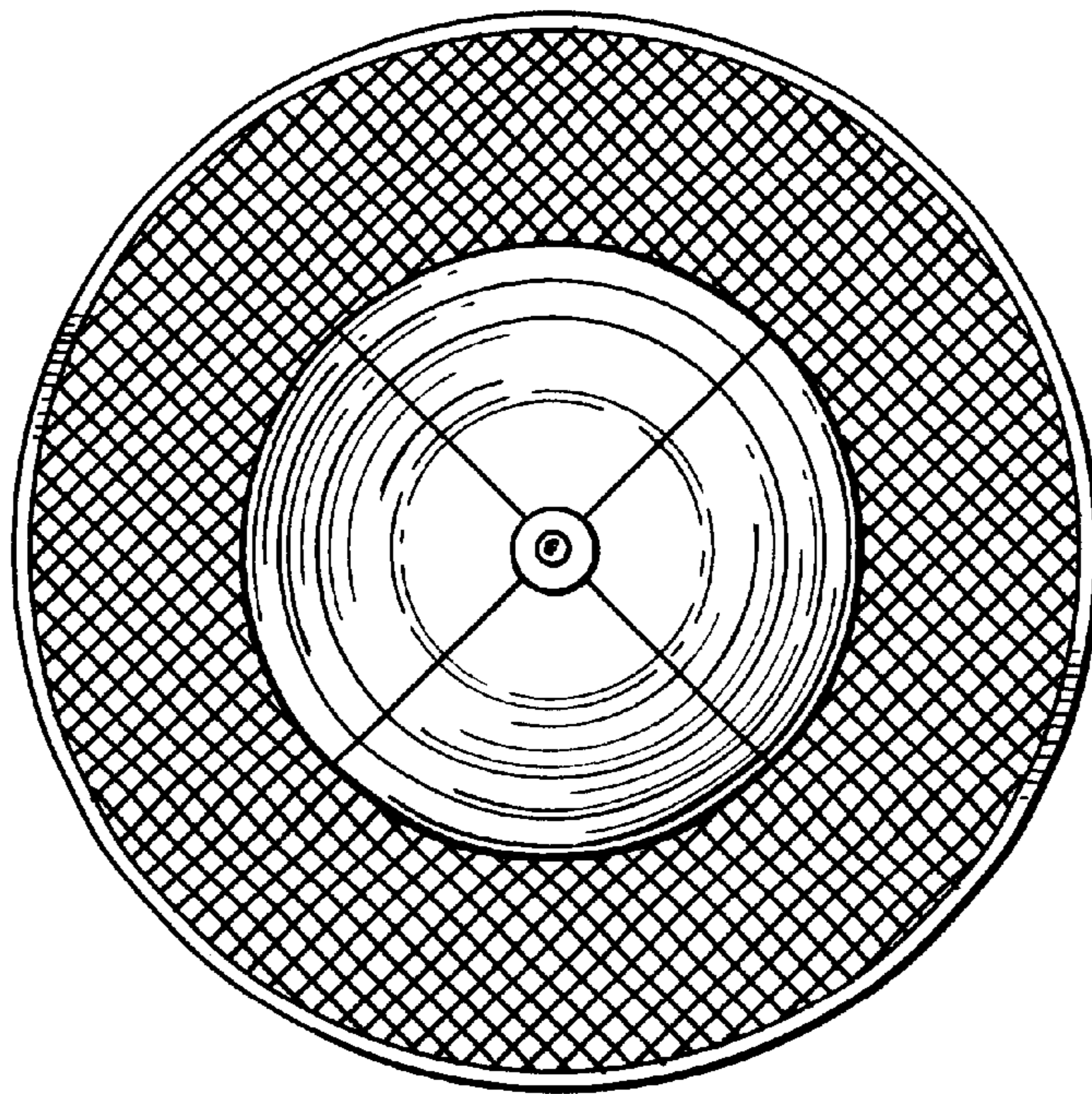


FIG. 3

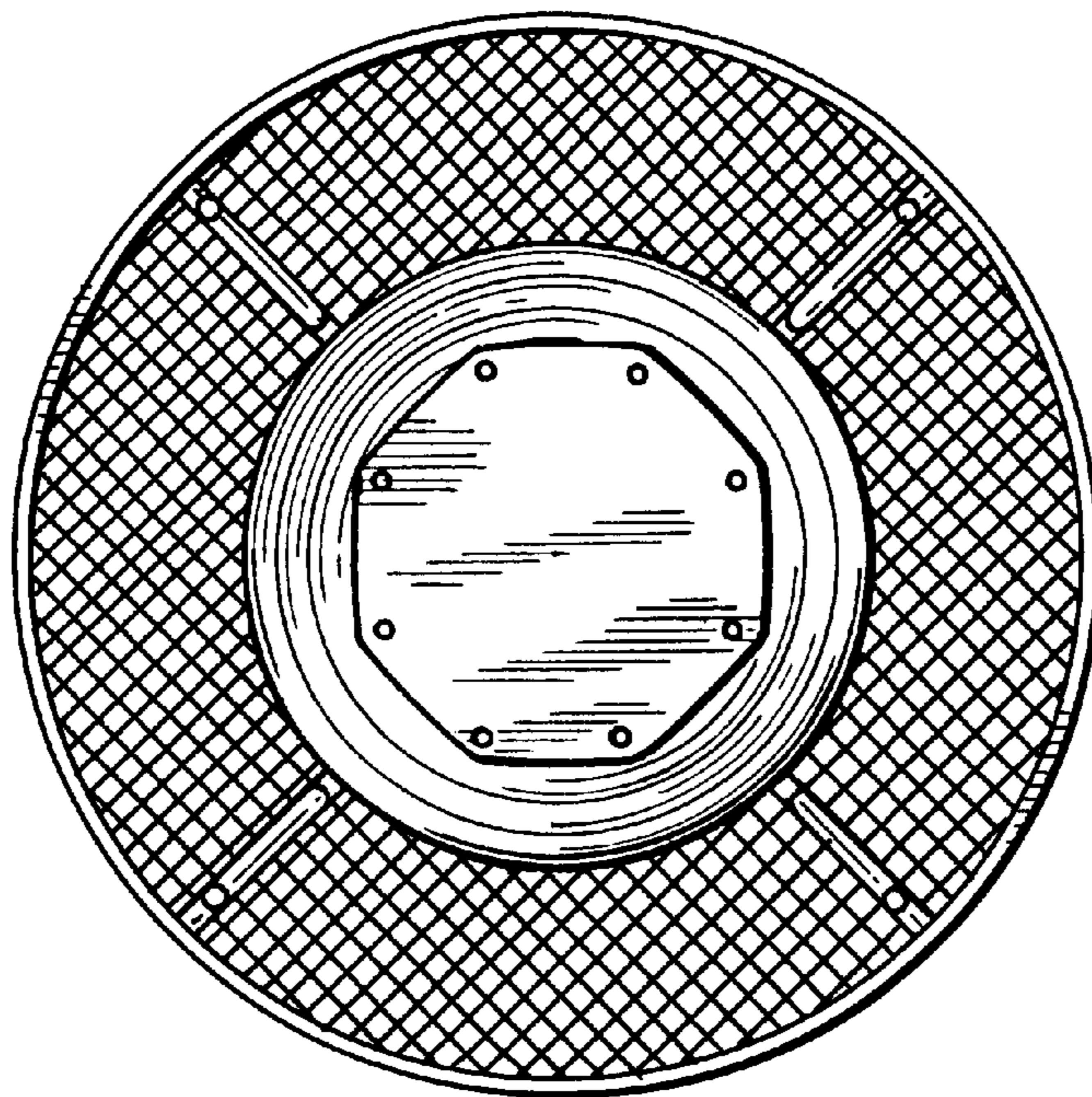


FIG. 4